



US00D378376S

# United States Patent [19]

[11] Patent Number: **Des. 378,376**

Tsai

[45] Date of Patent: **\*\*Mar. 11, 1997**

## [54] EYEGLASSES

[76] Inventor: **Kai-Mou Tsai**, 4/F., No. 1, Lane 135, Tao-Hsiang Rd., Peitou Dist., Taipei City, Taiwan

[\*\*] Term: **14 Years**

[21] Appl. No.: **54,418**

[22] Filed: **May 14, 1996**

[52] U.S. Cl. .... **D16/327**

[58] Field of Search ..... D16/300, 301, D16/306, 313-317, 319, 321, 325-330, 335; 351/41, 44, 51, 52, 83, 90, 103, 111, 113, 117, 120

### References Cited

#### U.S. PATENT DOCUMENTS

D. 114,260	4/1939	Brunetti	.....	D16/328
D. 158,970	6/1950	Jonassen	.....	D16/325
D. 192,884	5/1962	Petitto	.....	D16/326
D. 204,418	4/1966	Ramp	.....	D16/329
D. 264,094	4/1982	Morris	.....	D16/325
D. 347,014	5/1994	Arnette	.....	D16/326
D. 369,375	4/1996	Jannard et al.	.....	D16/326

## OTHER PUBLICATIONS

New York Times, Feb. 20, 1996, p. A4, Sunglasses.  
New York Times, Mar. 7, 1996 p. A3 Sunglasses.  
Vogue, May 1992, Sunglasses.

*Primary Examiner*—Raphael Barkai  
*Attorney, Agent, or Firm*—Morton J. Rosenberg; David I. Klein

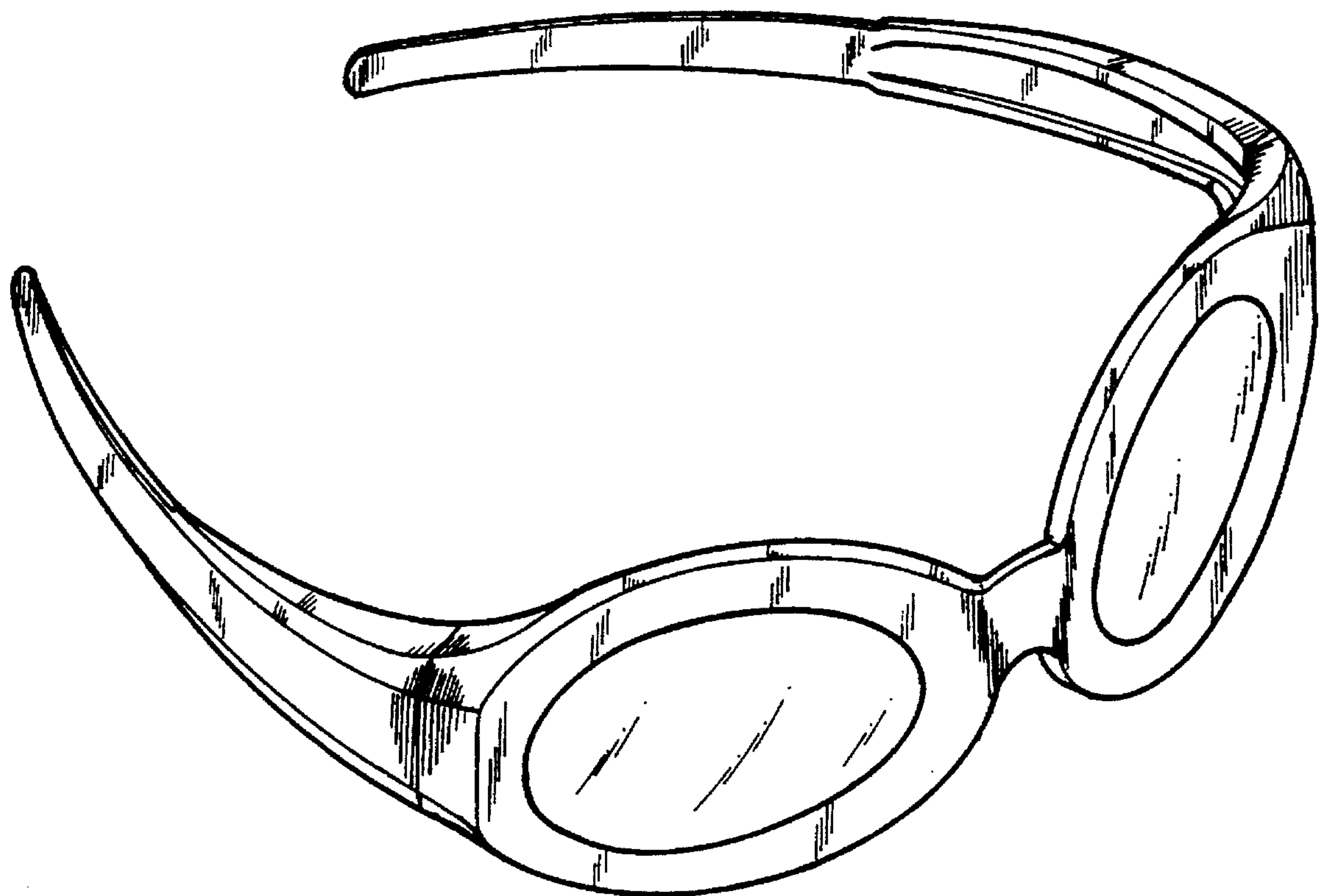
## CLAIM

[57] The ornamental design for eyeglasses, as shown and described.

## DESCRIPTION

FIG. 1 is a front perspective view of an eyeglasses showing my design;  
FIG. 2 is a top view of the eyeglasses shown in FIG. 1;  
FIG. 3 is a bottom view of the eyeglasses shown in FIG. 1;  
FIG. 4 is a front view of the eyeglasses shown in FIG. 1;  
FIG. 5 is a rear view of the eyeglasses shown in FIG. 1;  
FIG. 6 is a left side elevation view of the eyeglasses shown in FIG. 1; and,  
FIG. 7 is a right side elevation view of the eyeglasses shown in FIG. 1.

**1 Claim, 4 Drawing Sheets**



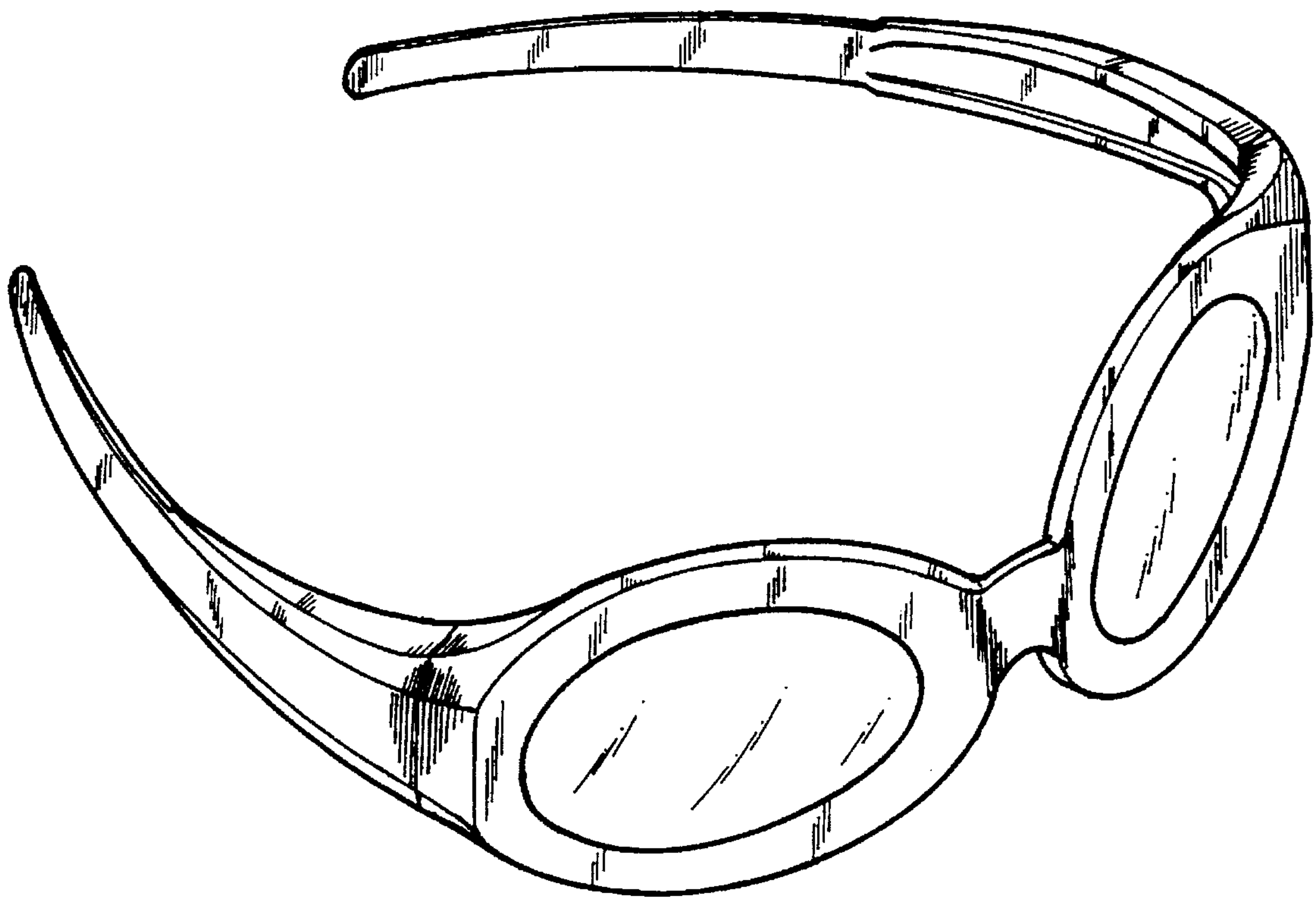


FIG. 1

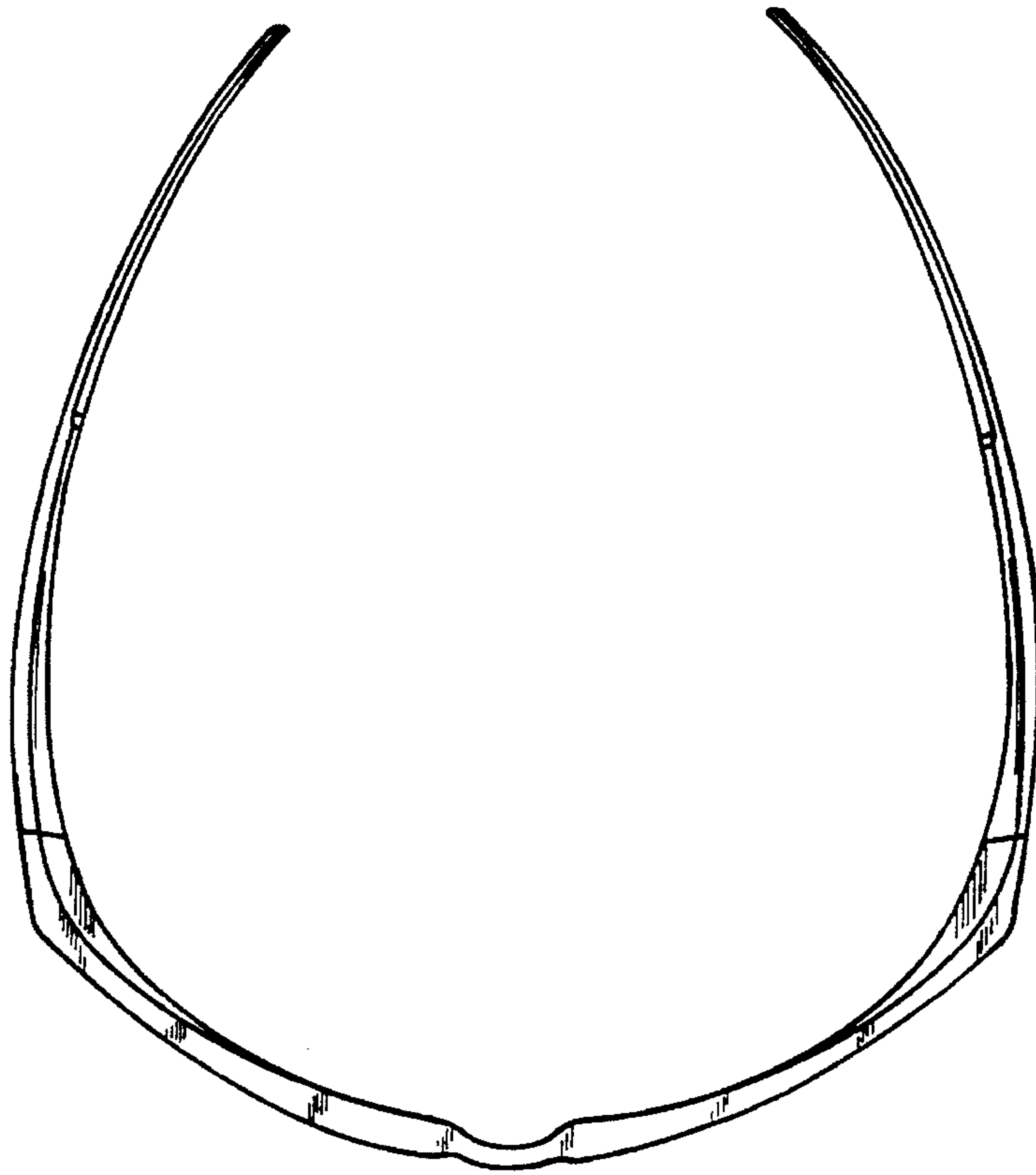


FIG. 2

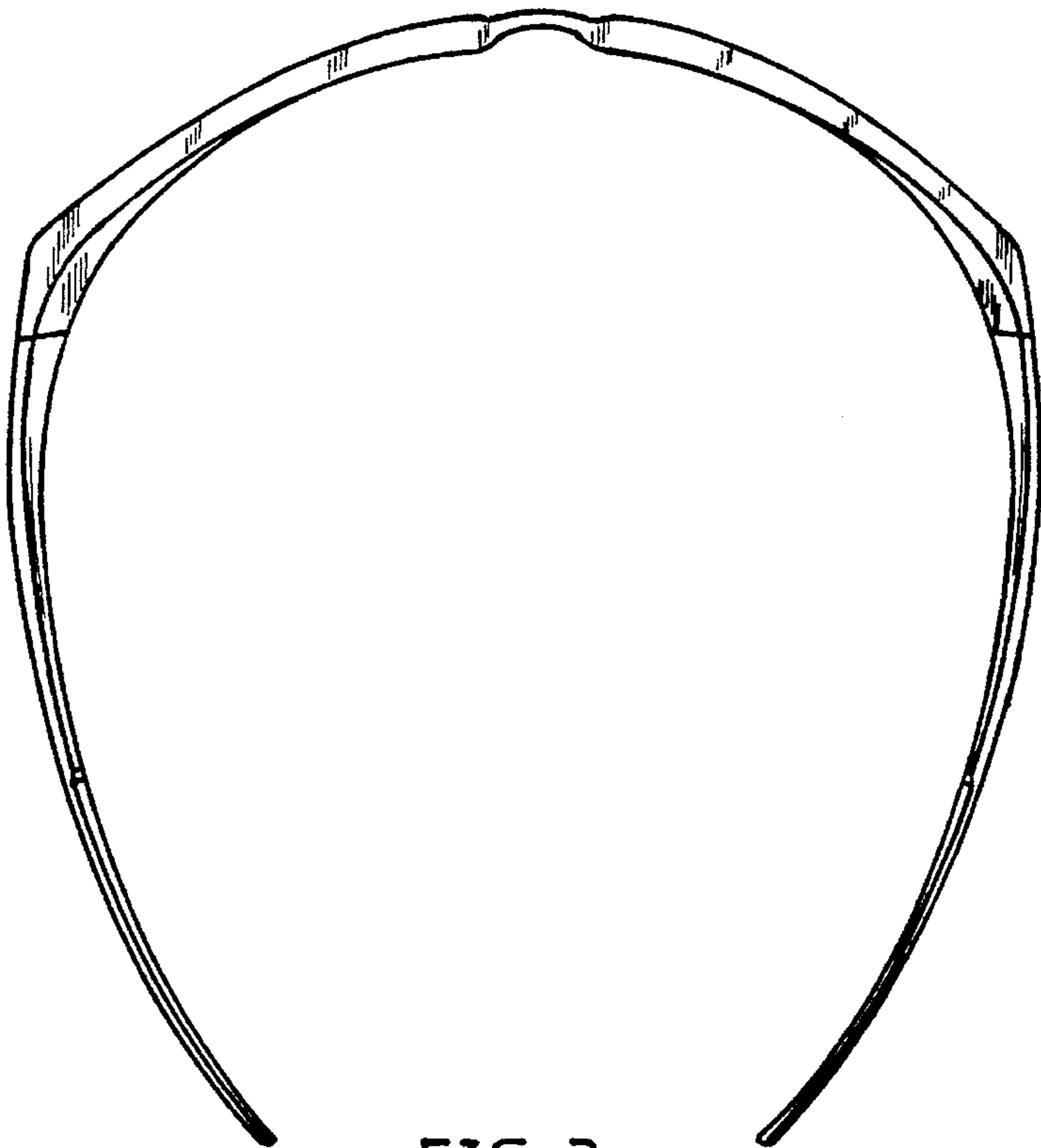


FIG. 3

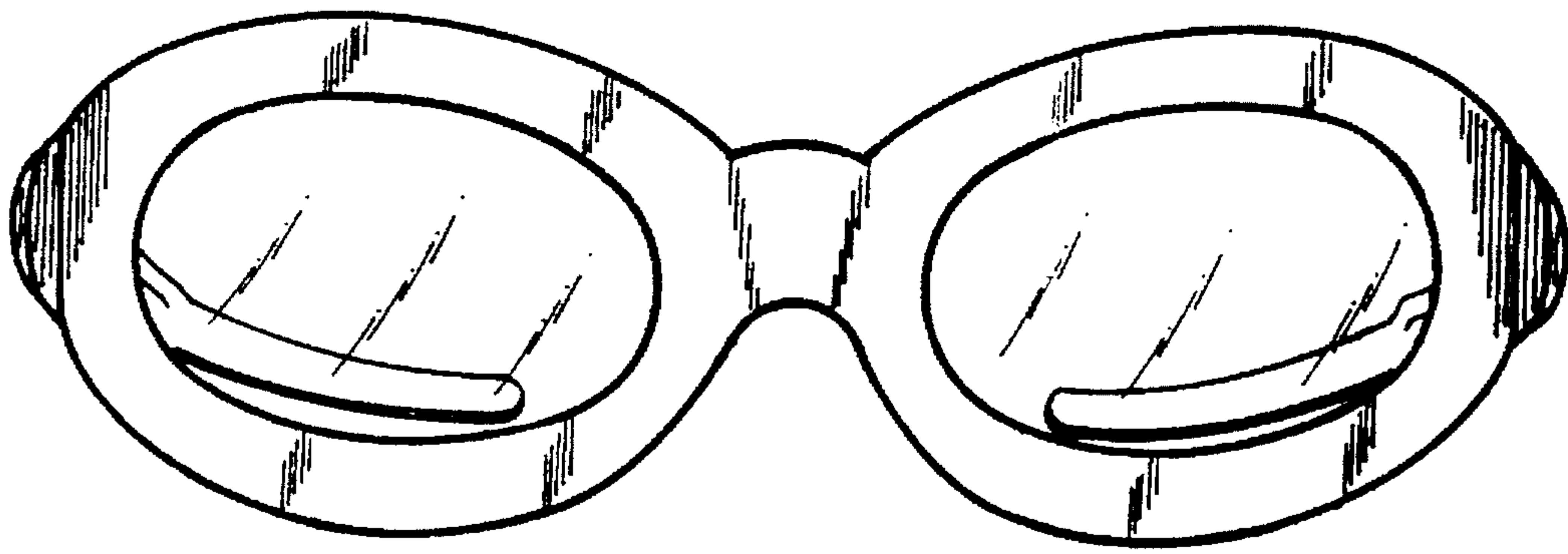


FIG. 4

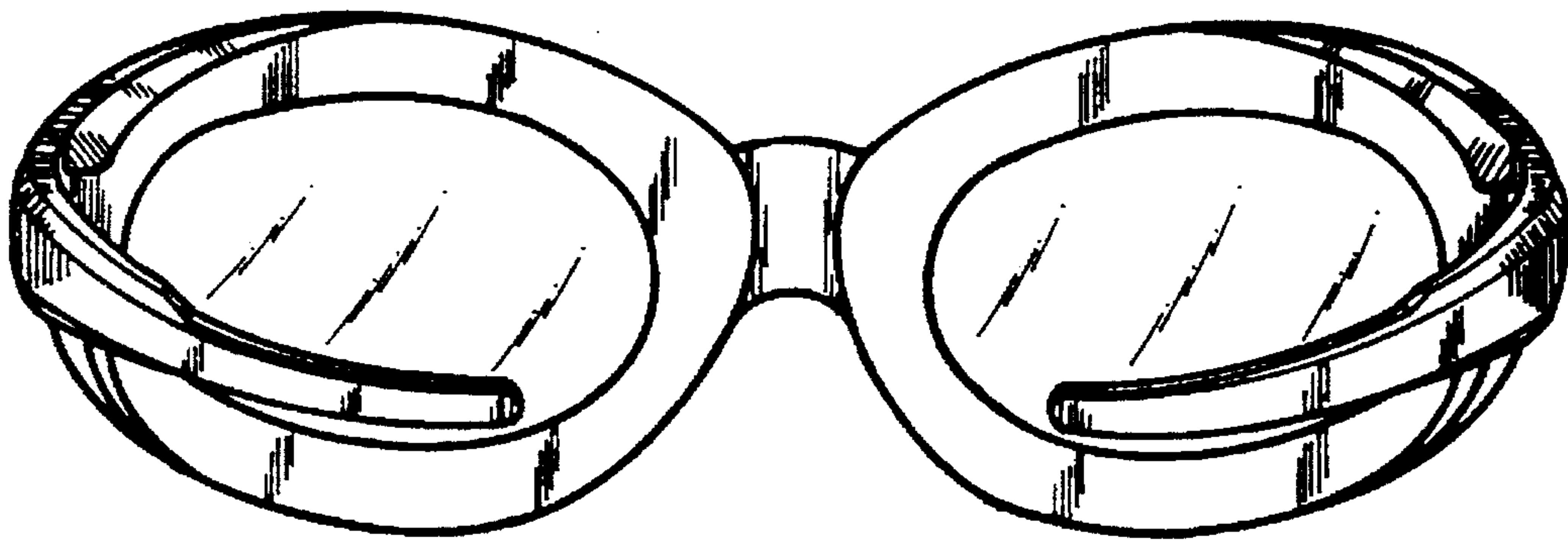


FIG. 5

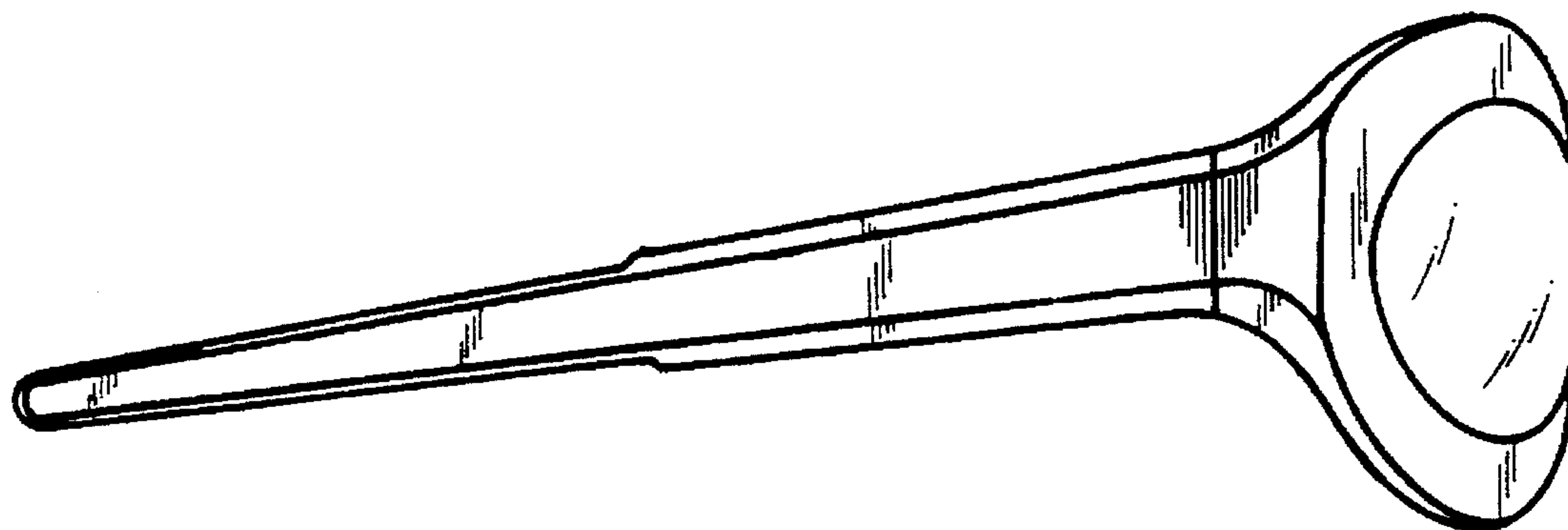


FIG. 6

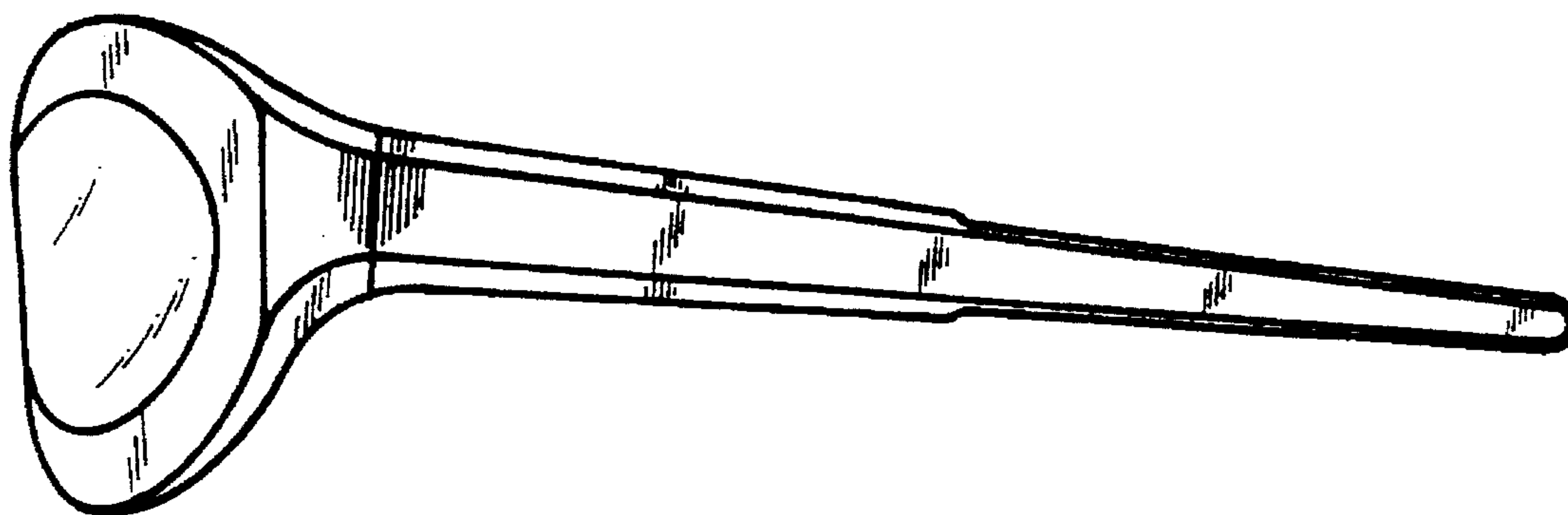


FIG. 7