



US00D378375S

United States Patent [19]

[11] Patent Number: **Des. 378,375**

Tsai

[45] Date of Patent: ****Mar. 11, 1997**

[54] EYEGLASSES

[76] Inventor: **Kai-Mou Tsai**, 4/F., No. 1, Lane 135, Tao-Hsiang Rd., Peitou Dist., Taipei City, China

[**] Term: **14 Years**

[21] Appl. No.: **54,411**

[22] Filed: **May 14, 1996**

[52] U.S. Cl. **D16/326**

[58] Field of Search D16/101, 300, D16/301, 306, 313-317, 319, 321, 325-330, 335; 351/41, 44, 51, 52, 83, 90, 103, 111, 113, 117, 120

[56] **References Cited**

U.S. PATENT DOCUMENTS

D. 158,963	6/1950	Jonassen	D16/326
D. 189,436	12/1960	Carmichael	D16/326
D. 204,101	3/1966	Ramp	D16/328
D. 347,014	5/1994	Arnette	D16/326
D. 362,260	9/1995	Lin	D16/329
D. 363,504	10/1995	Arnette	D16/326

OTHER PUBLICATIONS

Vogue, May 1992 Sunglasses.
Accessories Magazine, Apr. 1991, p. 11 Sunglasses.
Clinton Optical Co. Catalog, Jan. 1947, Lens "Winger by Kono".

Primary Examiner—Raphael Barkai

Attorney, Agent, or Firm—Morton J. Rosenberg; David I. Klein

[57] **CLAIM**

The ornamental design for eyeglasses, as shown and described.

DESCRIPTION

FIG. 1 is a front perspective view of an eyeglasses showing my design;

FIG. 2 is a top view of the eyeglasses shown in FIG. 1;

FIG. 3 is a bottom view of the eyeglasses shown in FIG. 1;

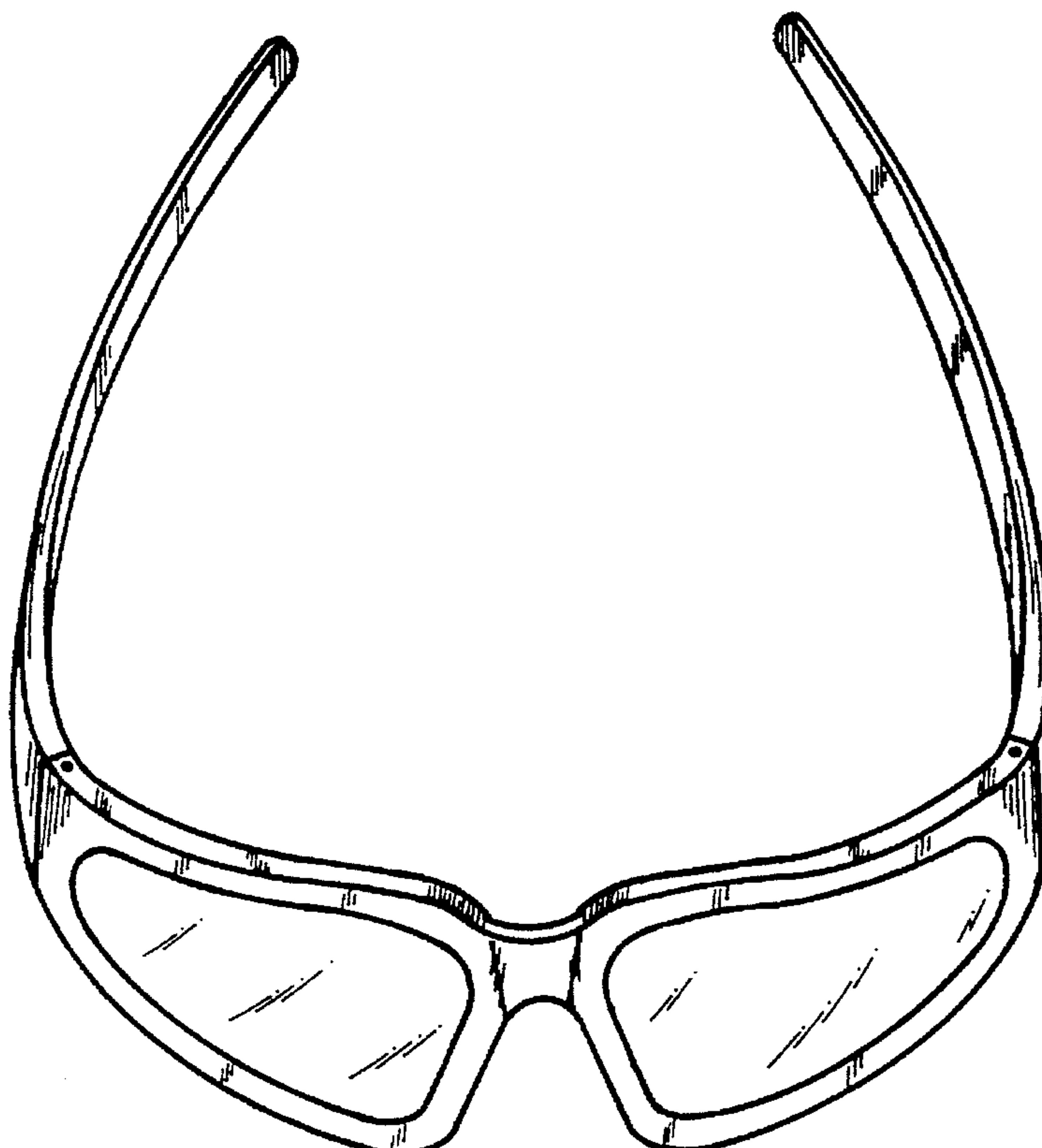
FIG. 4 is a front view of the eyeglasses shown in FIG. 1;

FIG. 5 is a rear view of the eyeglasses shown in FIG. 1;

FIG. 6 is a left side elevation view of the eyeglasses shown in FIG. 1; and,

FIG. 7 is a right side elevation view of the eyeglasses shown in FIG. 1.

1 Claim, 4 Drawing Sheets



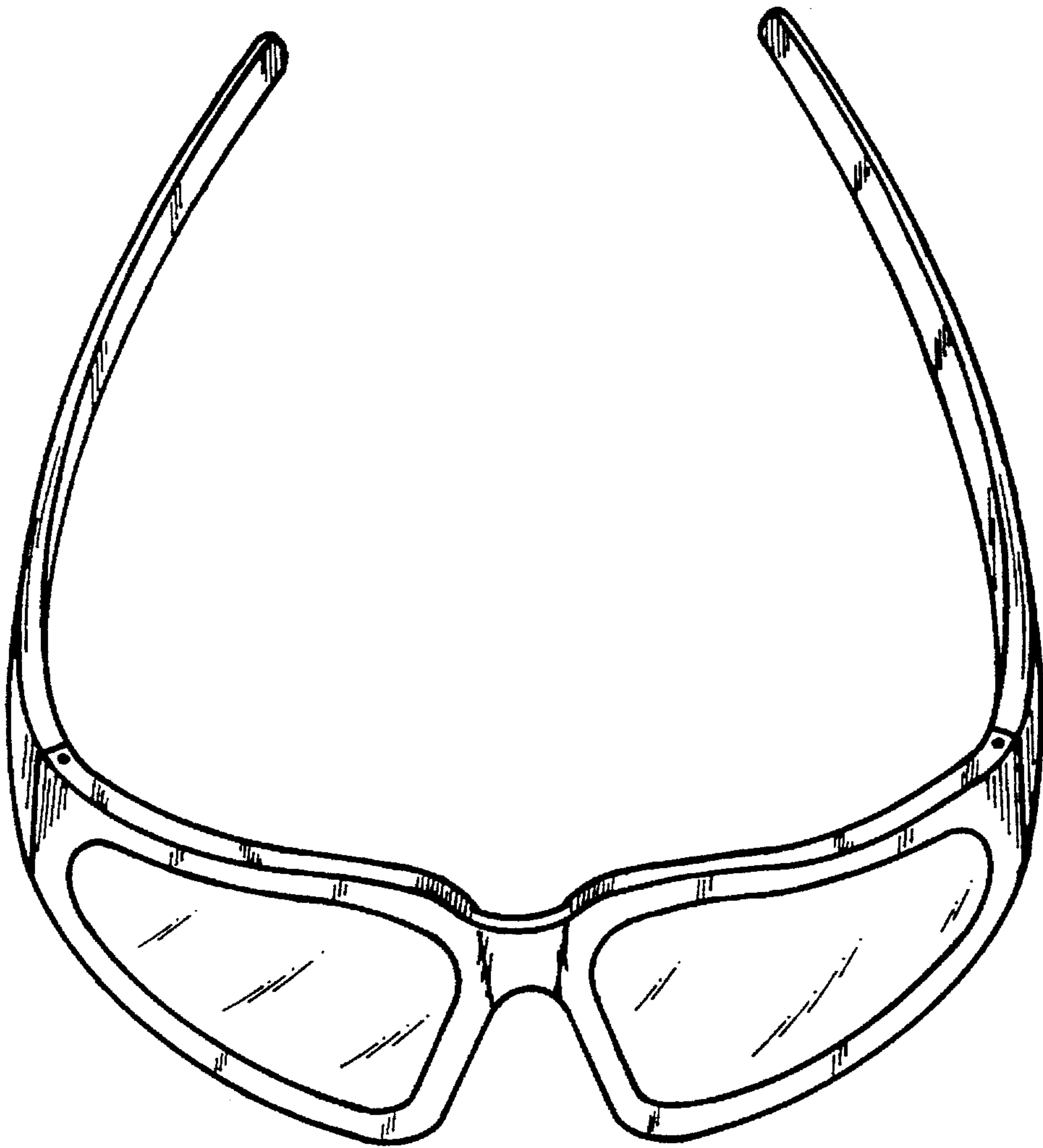


FIG. 1

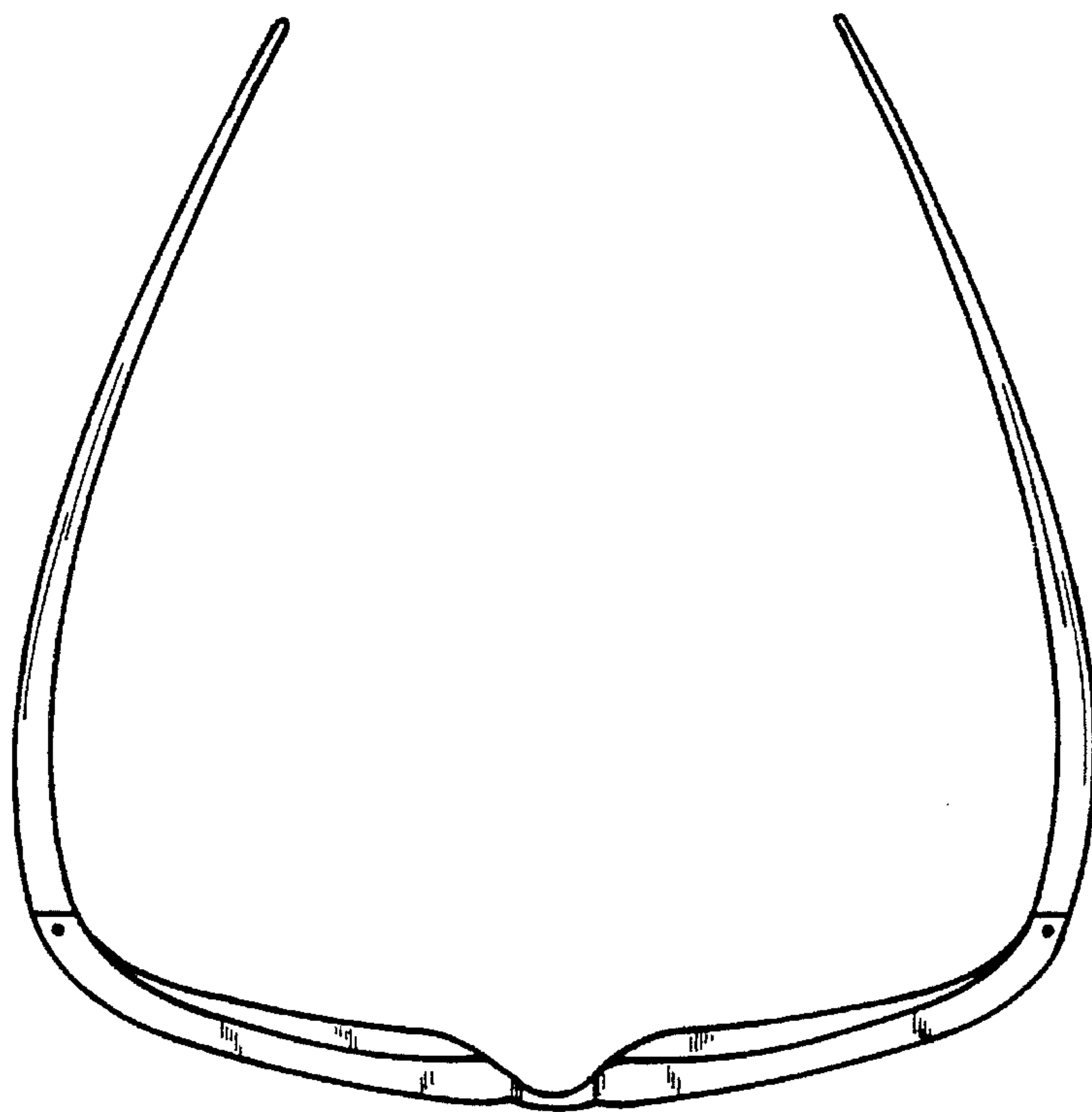


FIG. 2

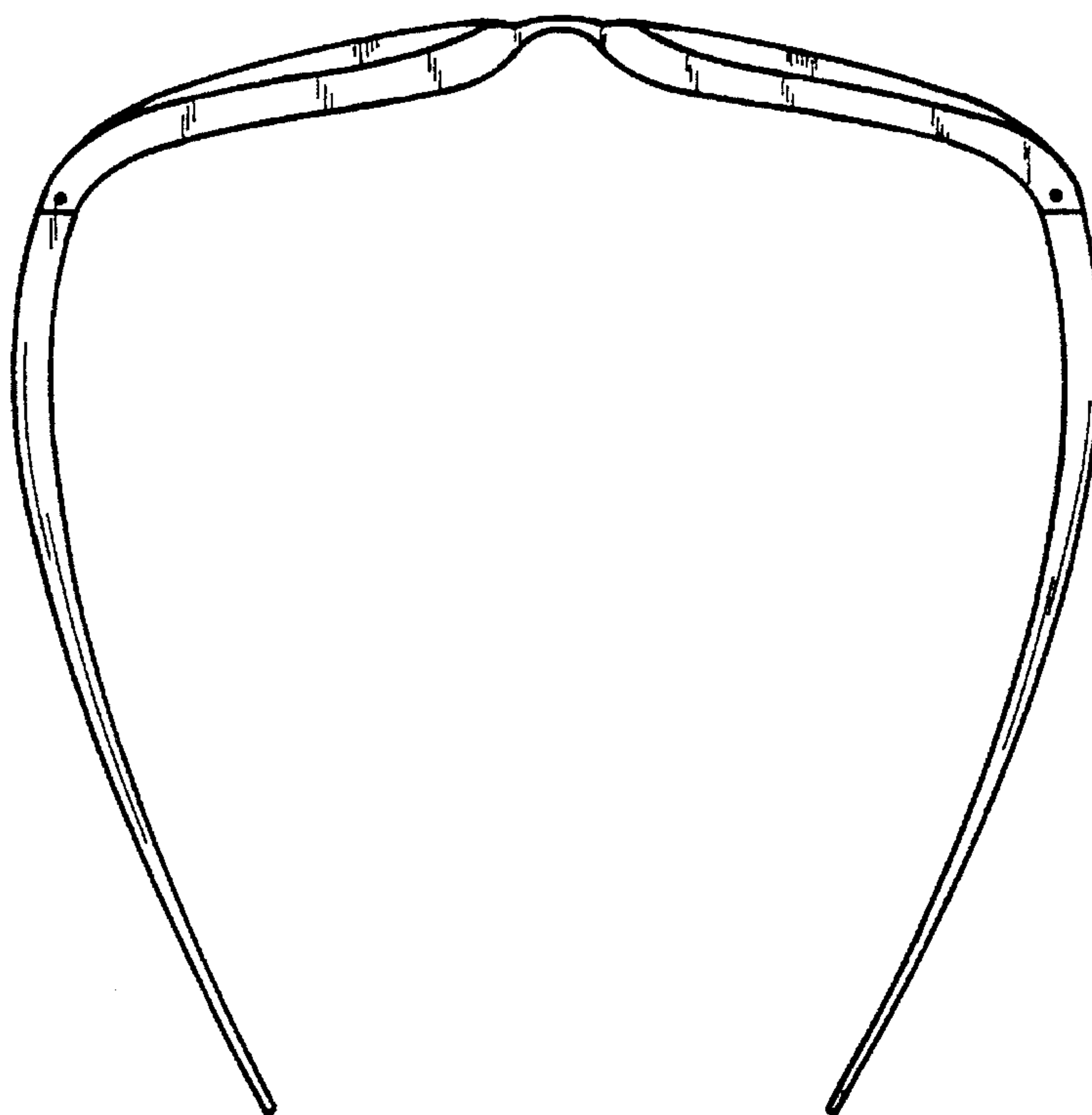


FIG. 3

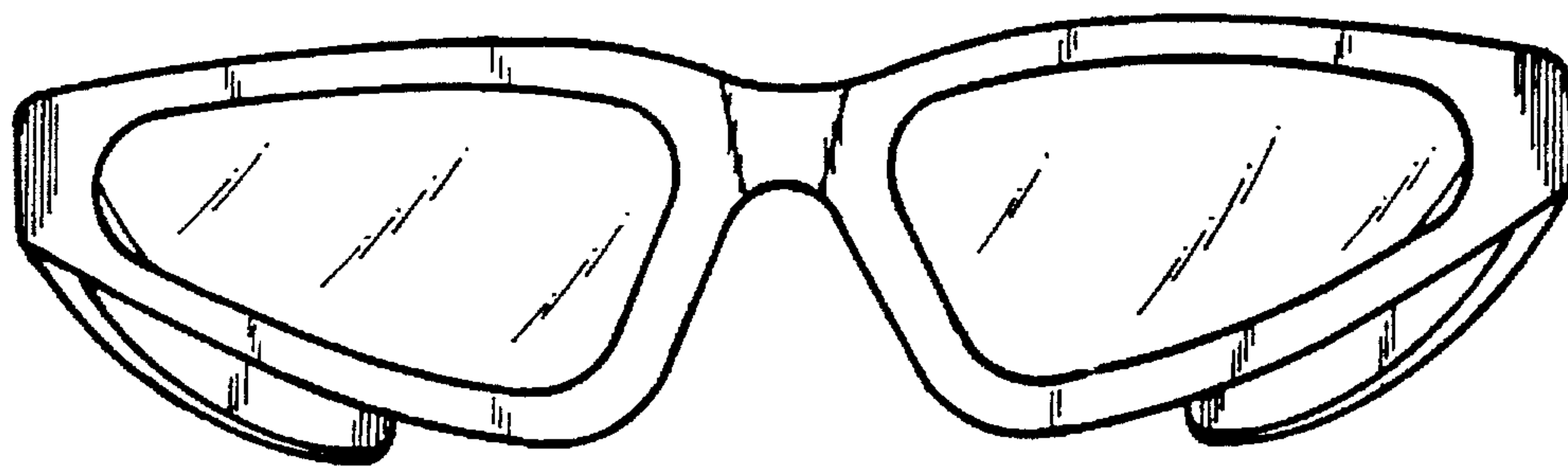


FIG. 4

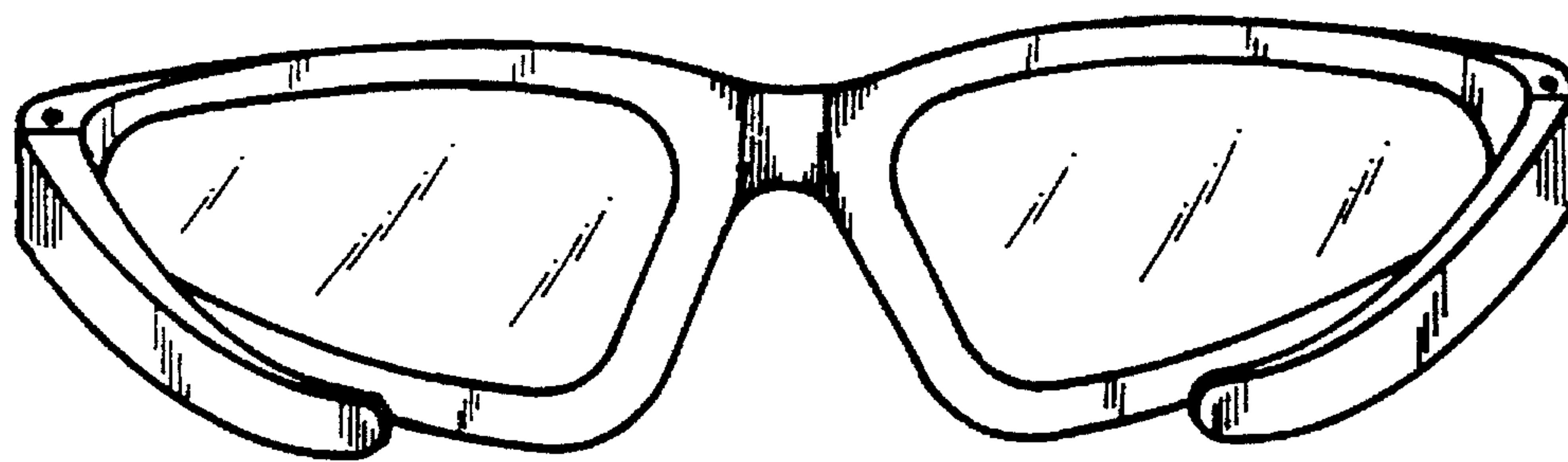


FIG. 5

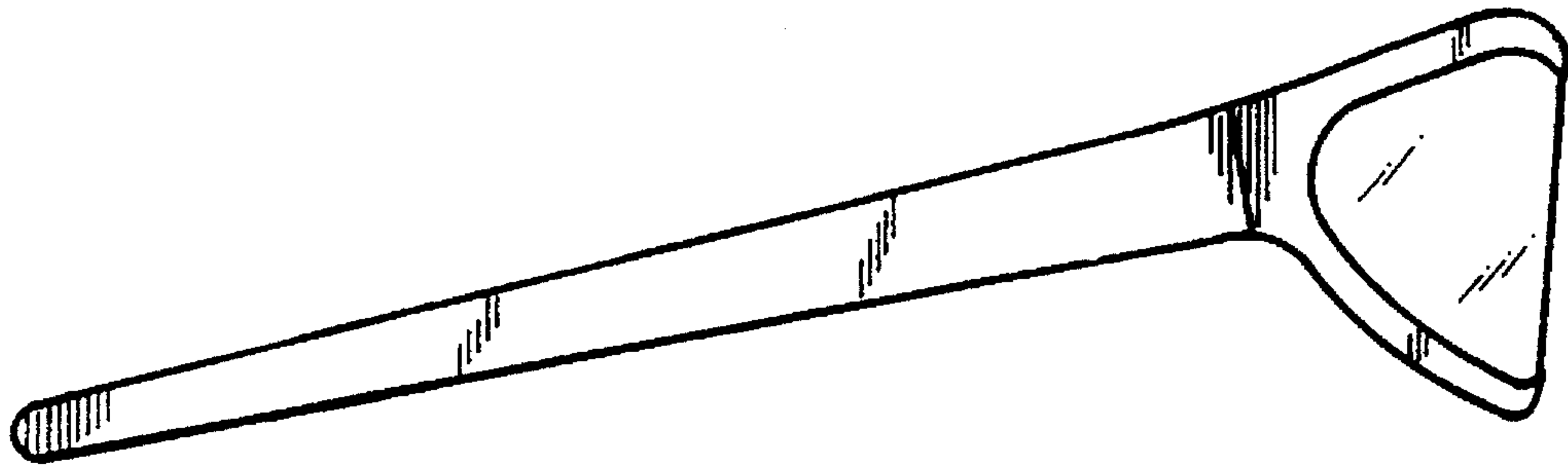


FIG. 6

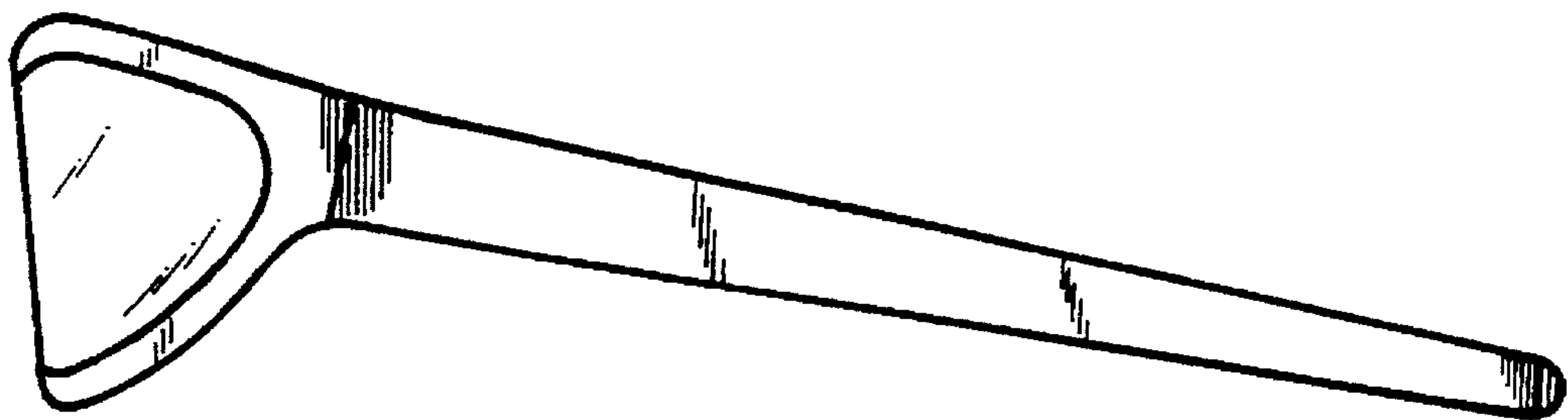


FIG. 7