



US00D378374S

United States Patent [19]

[11] Patent Number: **Des. 378,374**

Lee et al.

[45] Date of Patent: ****Mar. 11, 1997**

[54] **BINOCULARS**

2,013,288	9/1935	Porter	D16/133	X
4,013,341	3/1977	Riley	359/480	X
5,074,652	12/1991	Addy	359/414	X

[75] Inventors: **Jason Lee**, Montclair, N.J.; **Arthur Becker**, New York, N.Y.

Primary Examiner—Doris V. Coles
Attorney, Agent, or Firm—Abelman, Frayne & Schwab

[73] Assignee: **Bnox, Inc.**, New York, N.Y.

[**] Term: **14 Years**

[57] CLAIM

[21] Appl. No.: **53,975**

The ornamental design for binoculars, as shown and described.

[22] Filed: **May 2, 1996**

DESCRIPTION

[52] U.S. Cl. **D16/133**

[58] Field of Search D16/133; 359/407-422, 359/508, 809, 480, 579, 554, 555, 556

FIG. 1 is front perspective view of the binoculars showing our new design;
FIG. 2 is plan view thereof;
FIG. 3 is a front view thereof;
FIG. 4 is a right side view thereof;
FIG. 5 is a left side view thereof;
FIG. 6 is a rear view thereof; and,
FIG. 7 is a bottom view thereof.

[56] References Cited

U.S. PATENT DOCUMENTS

D. 313,029	12/1990	Lee	D16/133
D. 362,005	9/1995	Lee et al.	D16/133
D. 362,451	9/1995	Lee et al.	D16/133
D. 364,631	11/1995	Hamamura	D16/133
D. 365,832	1/1996	Miyahara et al.	D16/133

1 Claim, 5 Drawing Sheets

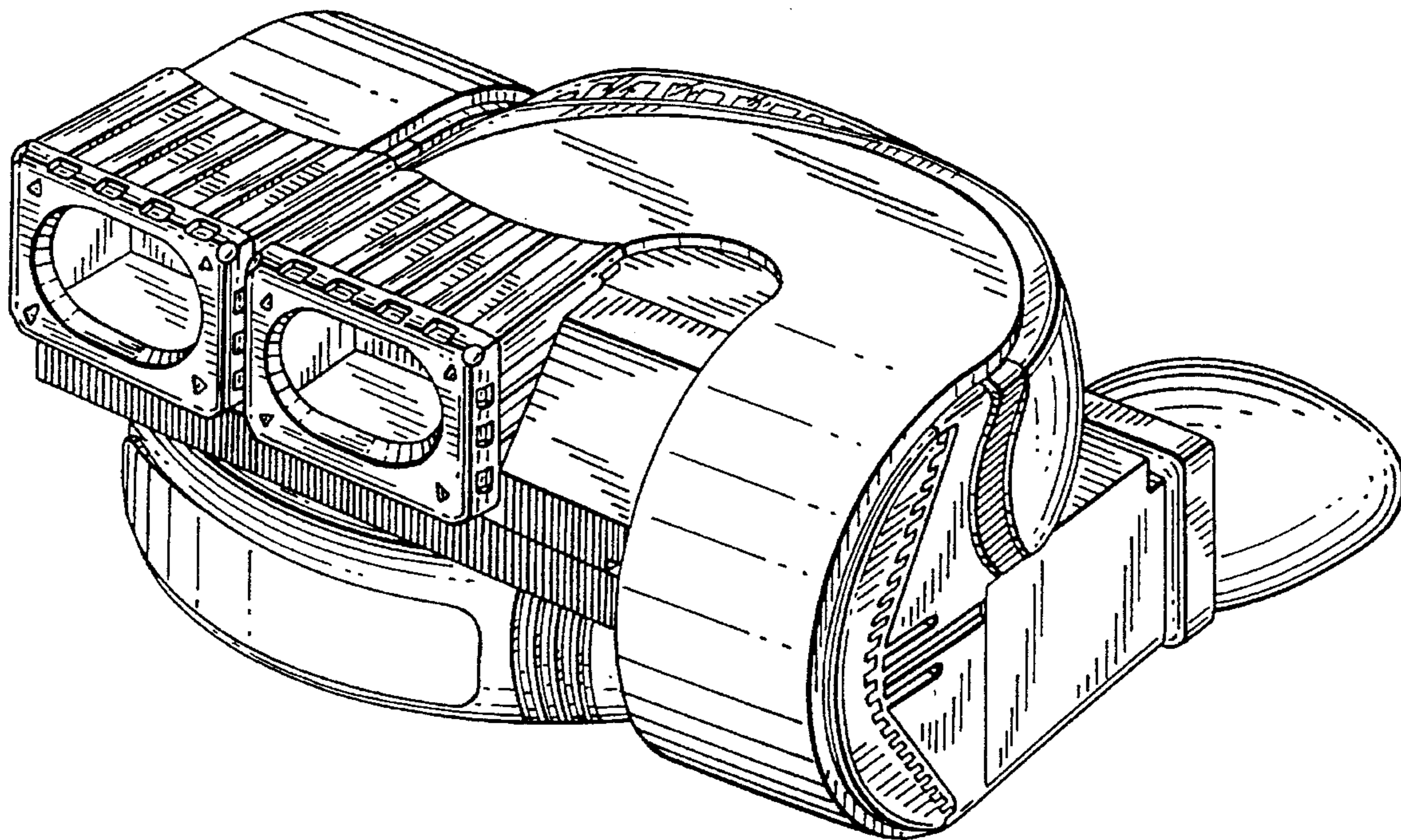
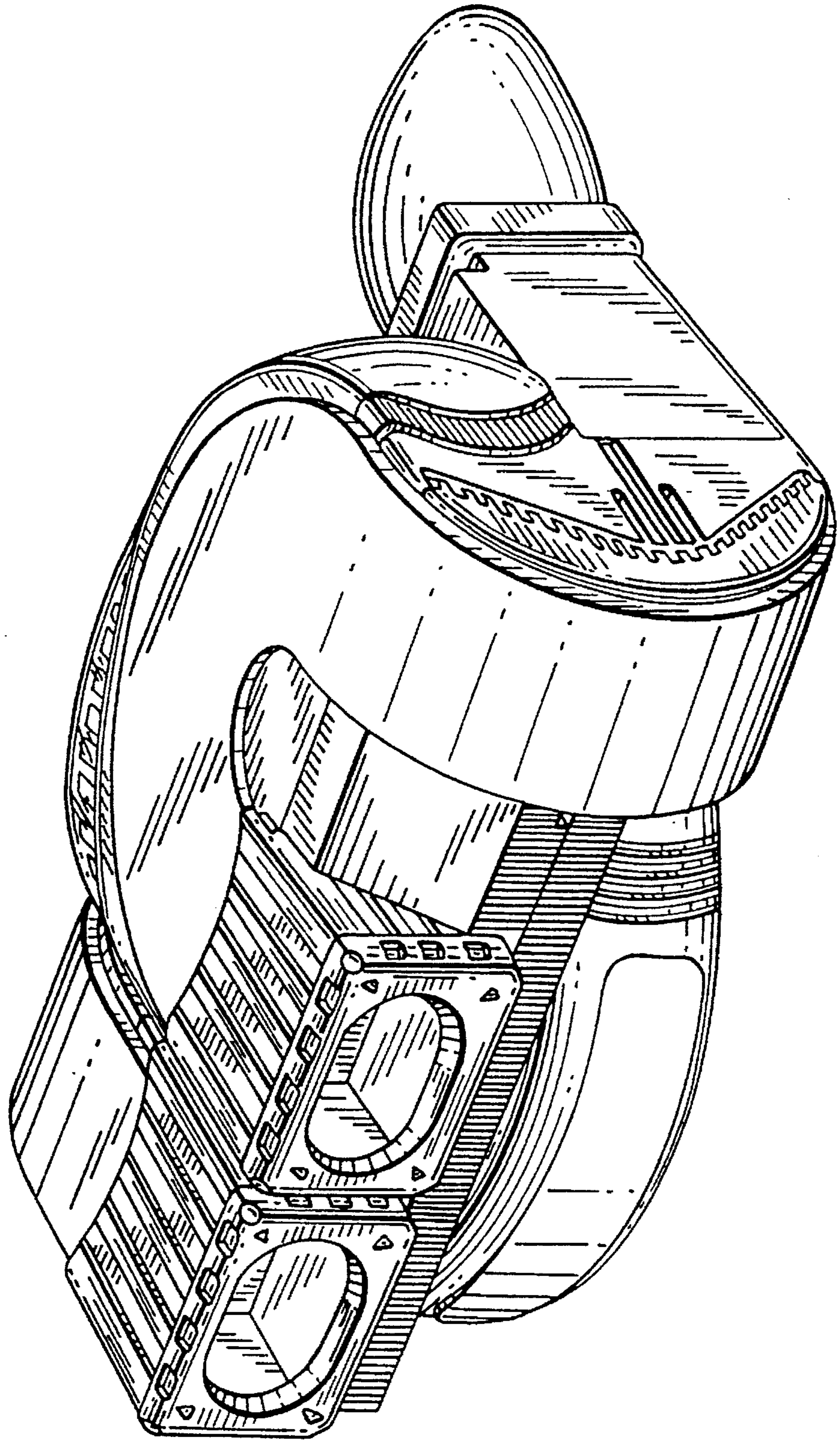


FIG. 1



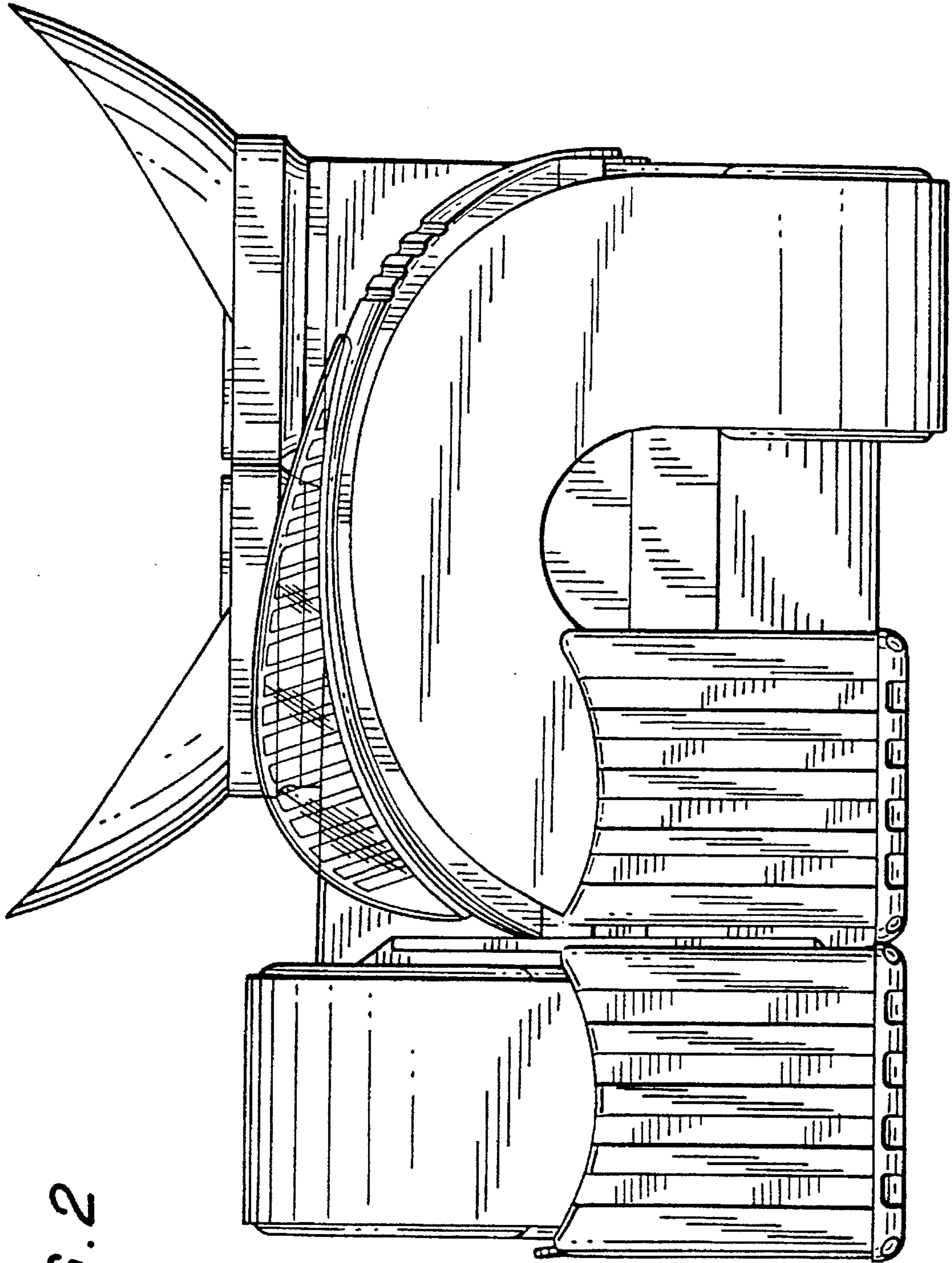


FIG. 2

FIG. 4

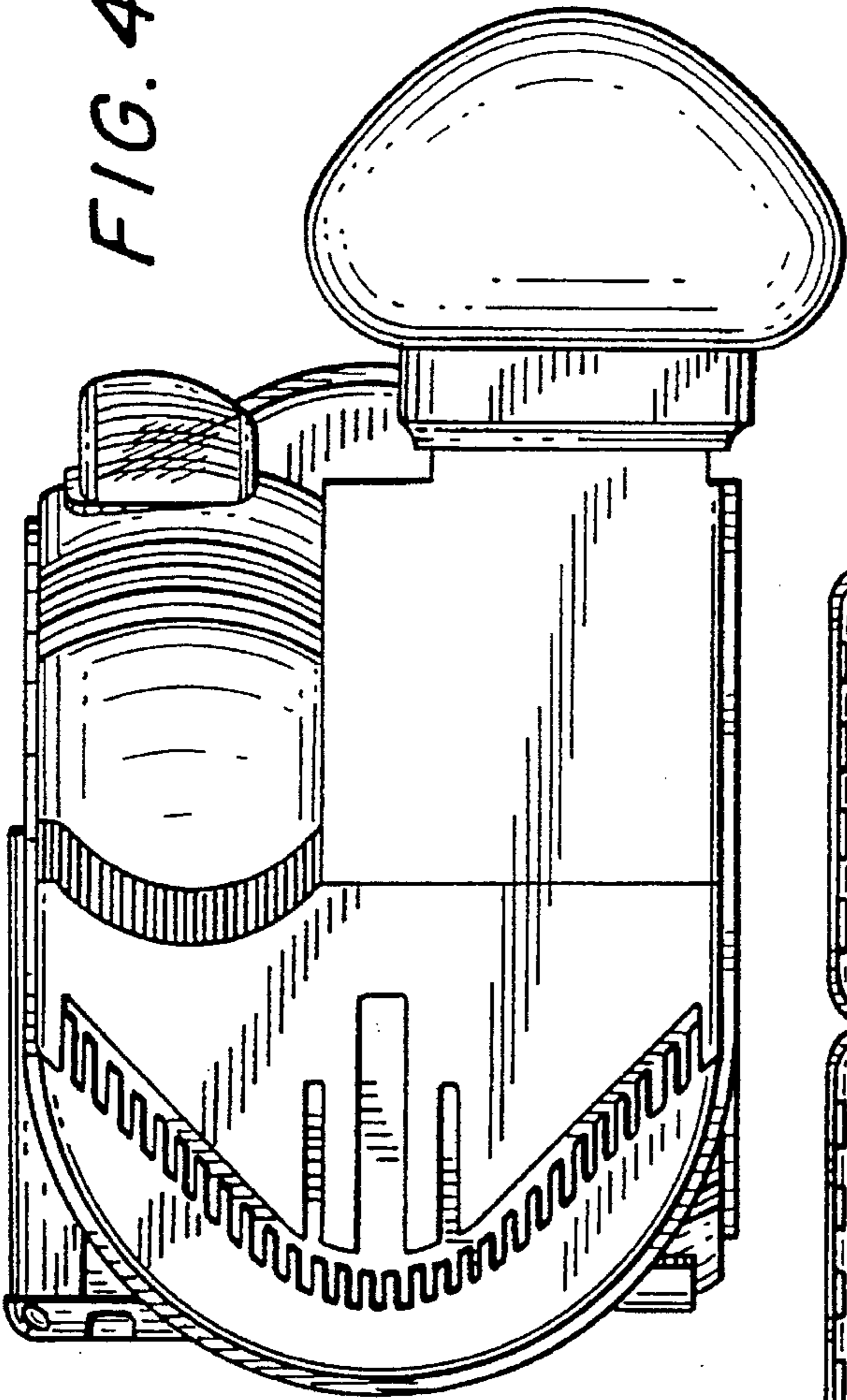
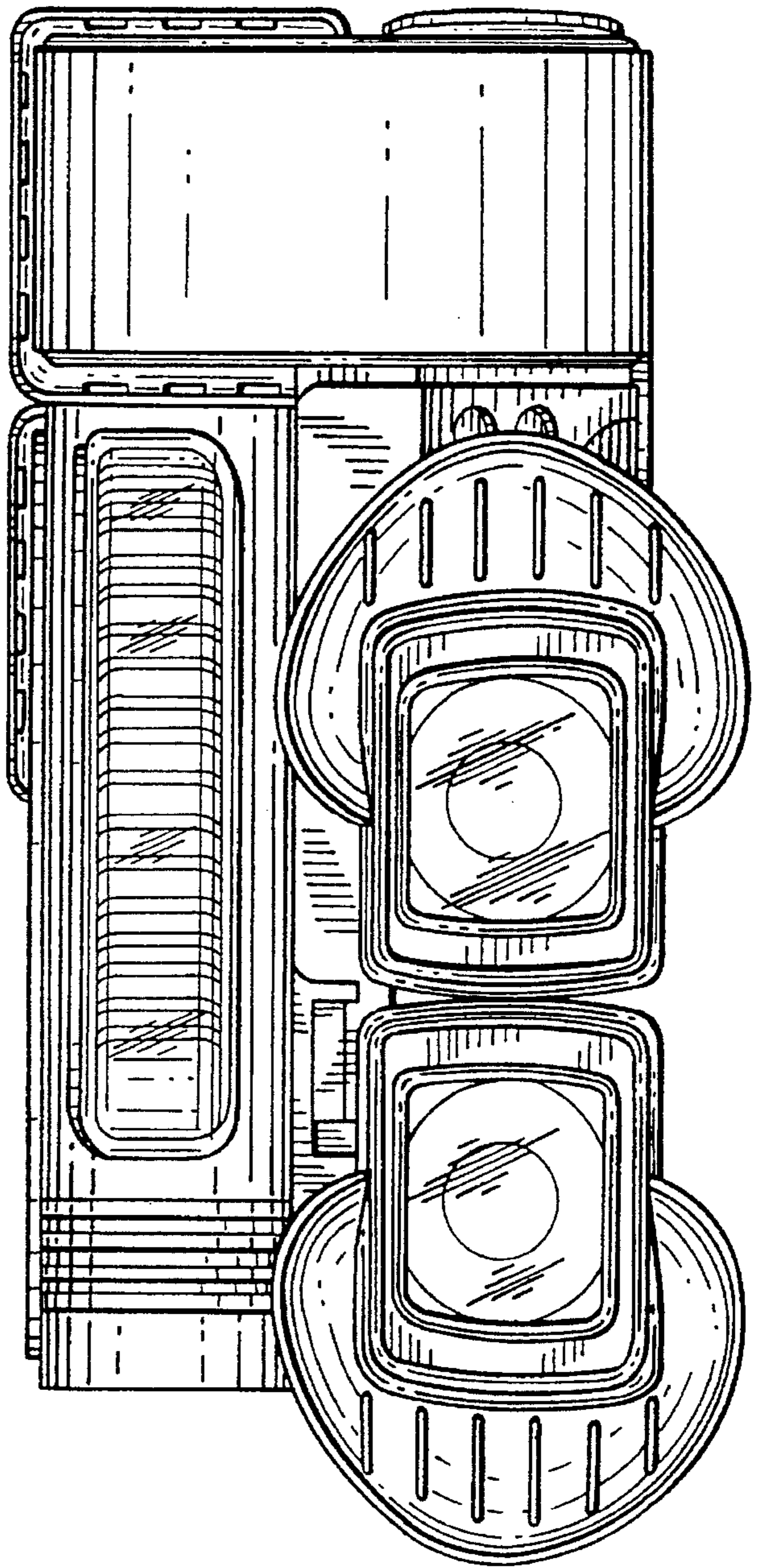


FIG. 3



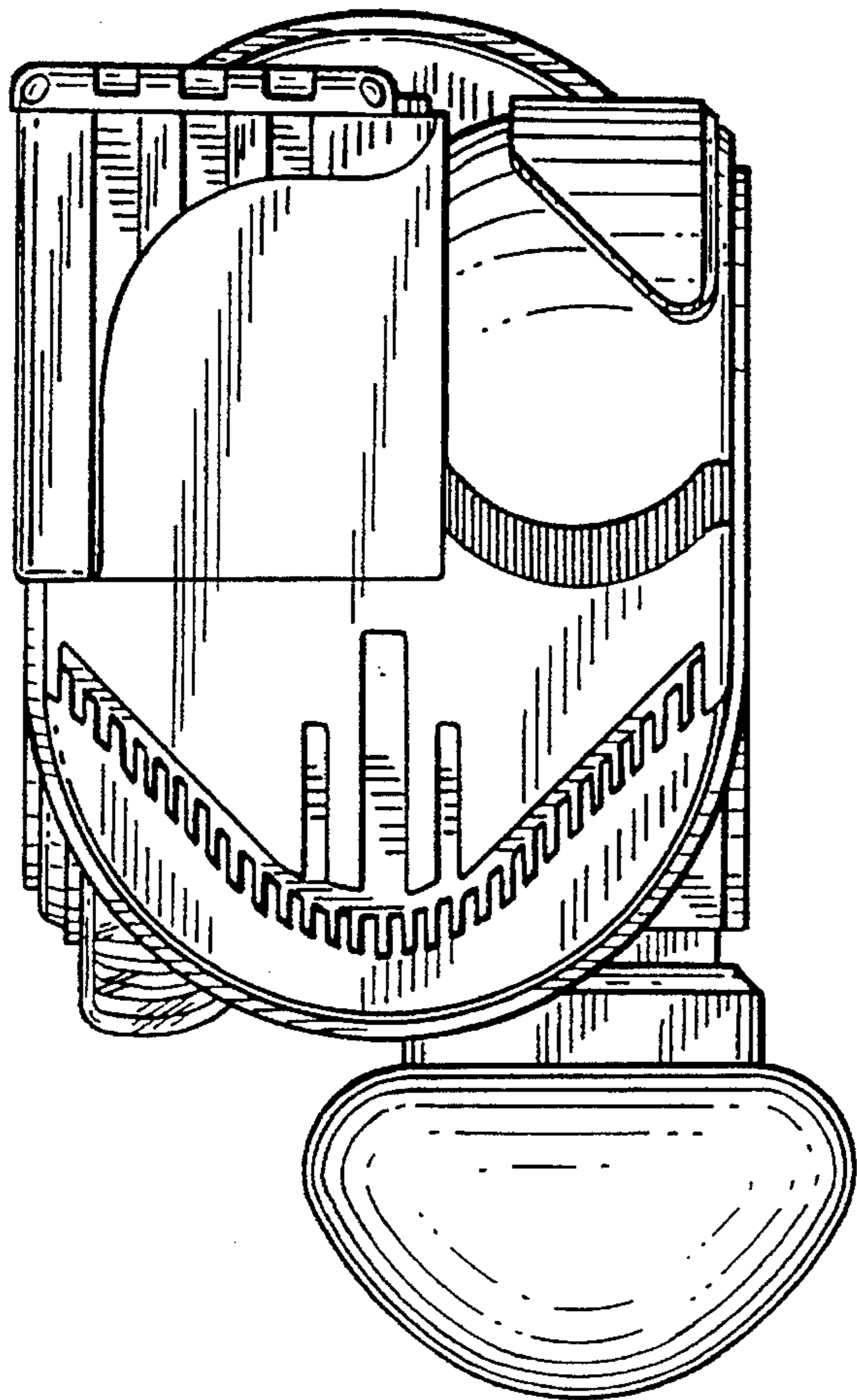


FIG. 5

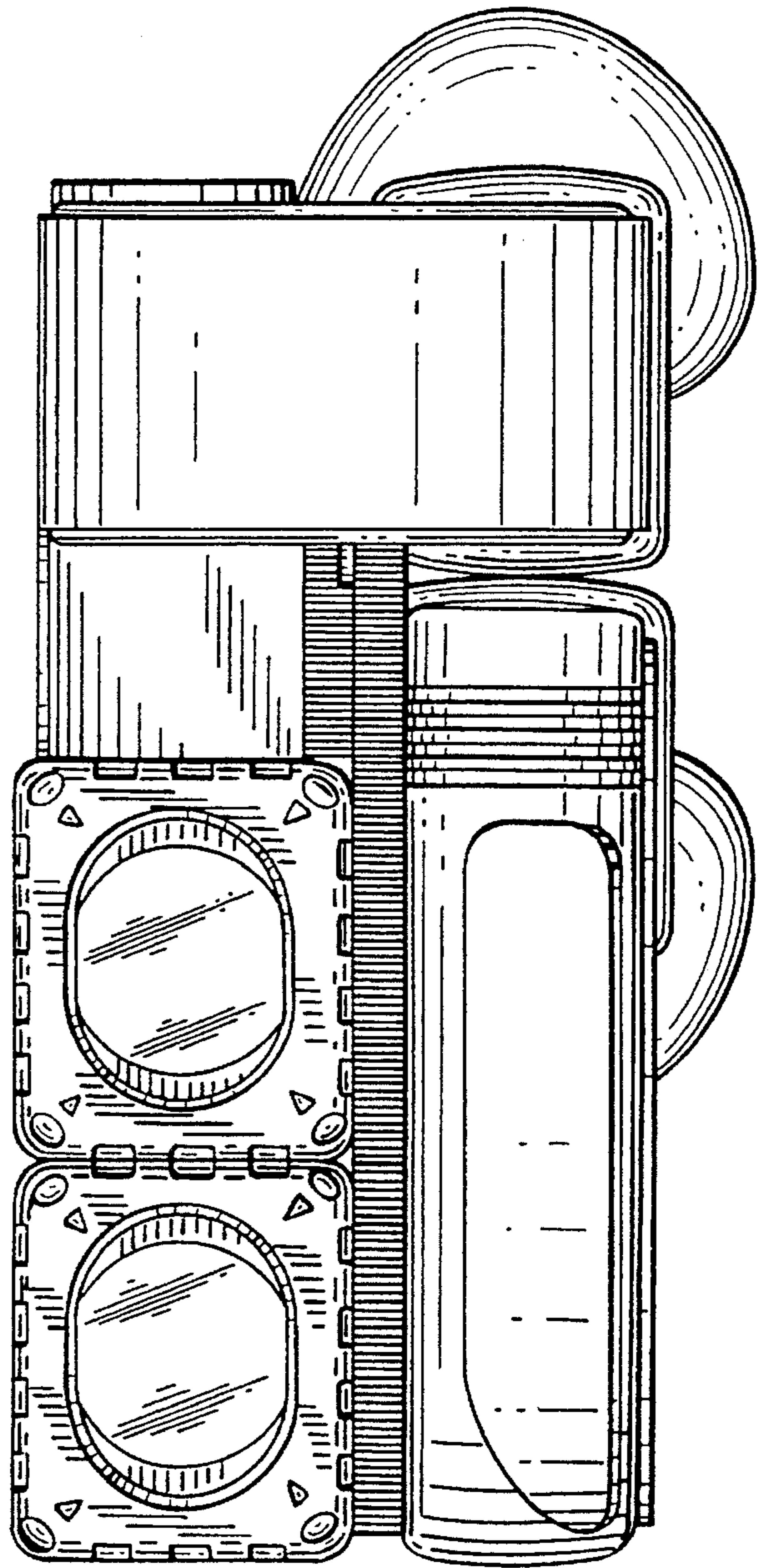


FIG. 6

FIG. 7

