



US00D378373S

# United States Patent [19]

[11] Patent Number: **Des. 378,373**

Morris

[45] Date of Patent: **\*\*Mar. 11, 1997**

[54] **FLOWER POT WRAPPING PLEAT FORMING FIXTURE**

[75] Inventor: **Michael A. Morris**, Menlo Park, Calif.

[73] Assignee: **Trans Global Products, Inc.**, Redwood City, Calif.

[\*\*] Term: **14 Years**

[21] Appl. No.: **49,686**

[22] Filed: **Jan. 29, 1996**

### Related U.S. Application Data

[63] Continuation-in-part of Ser. No. 40,183, Jun. 12, 1995, Pat. No. Des. 372,486.

[52] U.S. Cl. .... **D15/135**

[58] Field of Search ..... D15/135, 140; 47/72; 229/406; 493/154, 167, 935

### [56] References Cited

#### U.S. PATENT DOCUMENTS

1,979,771	11/1934	Potter .....	47/41
2,218,293	10/1940	Muller .....	93/2
2,265,636	12/1941	Eaton .....	93/12

2,971,312	2/1961	Bell .....	53/390
3,245,198	4/1966	Schmied .....	53/32
3,962,503	6/1976	Crawford .....	428/40
4,300,312	11/1981	Weder et al. ....	47/72
4,733,521	3/1988	Weder et al. ....	53/580
5,176,609	1/1993	Weder et al. ....	493/154
5,291,721	3/1994	Weder et al. ....	493/154 X

Primary Examiner—Antoine Duval Davis  
Attorney, Agent, or Firm—Flehr, Hohbach, Test, Albritton & Herbert

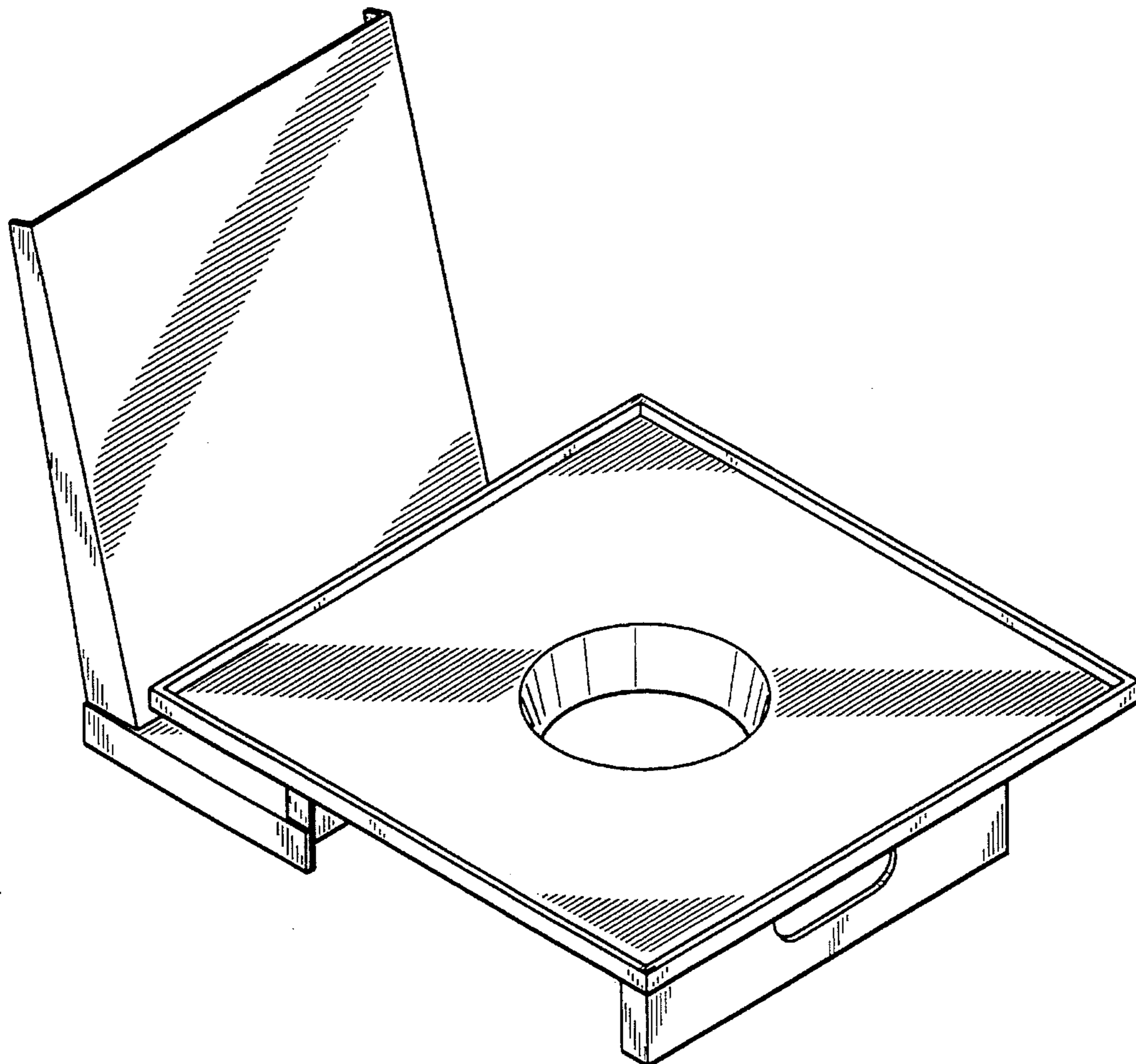
### [57] CLAIM

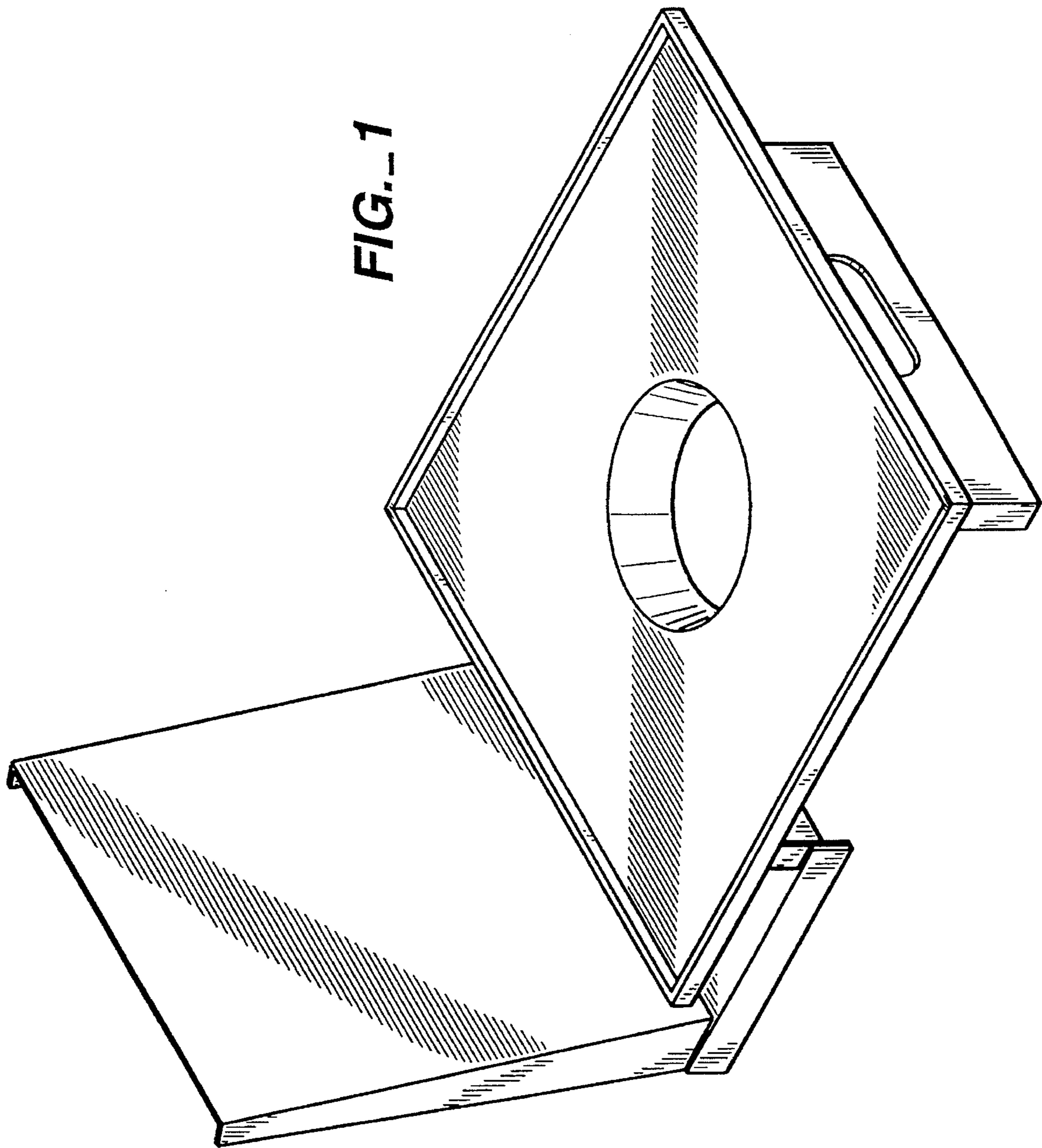
The ornamental design for a flower pot wrapping pleat forming fixture, as shown and described.

### DESCRIPTION

FIG. 1 is a top perspective view of a flower pot wrapping pleat forming fixture;  
FIG. 2 is an enlarged top plan view thereof;  
FIG. 3 is an enlarged side elevation view of one side thereof, the other side elevation view being a mirror-image of the one side;  
FIG. 4 is an enlarged front elevation view thereof;  
FIG. 5 is an enlarged rear elevation view thereof; and,  
FIG. 6 is an enlarged bottom plan view thereof.

**1 Claim, 6 Drawing Sheets**





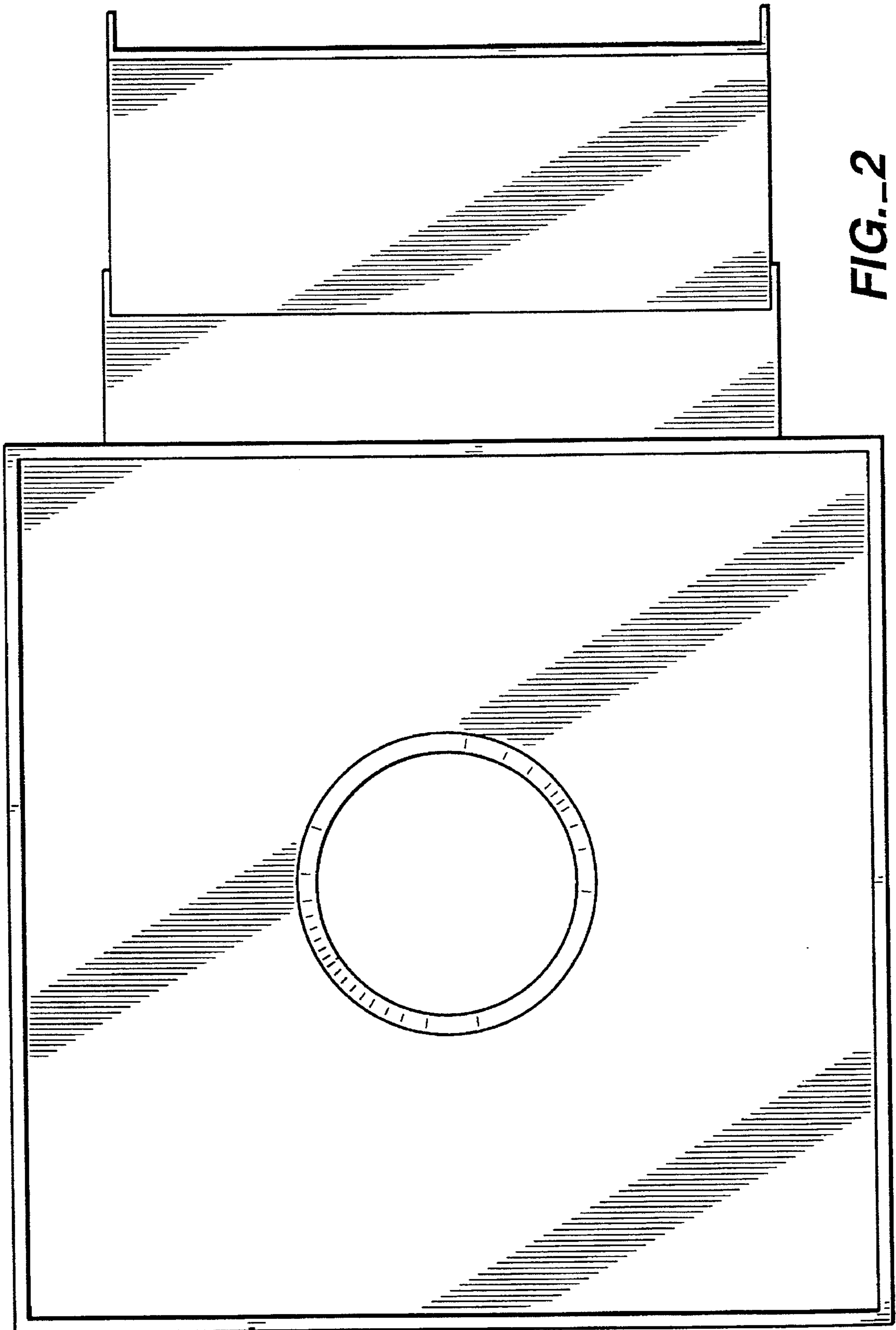


FIG. 2



FIG.-3



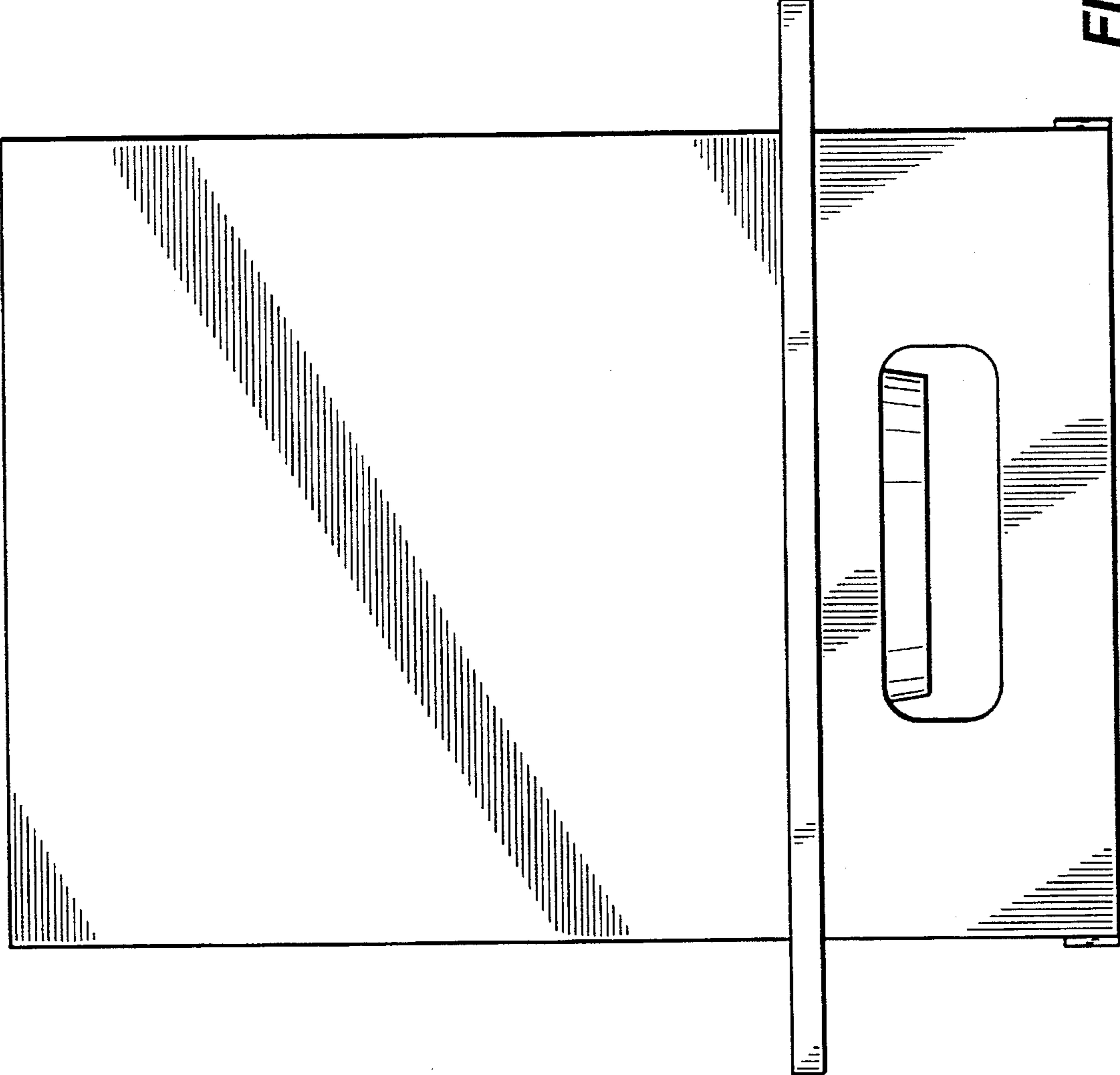


FIG. 4

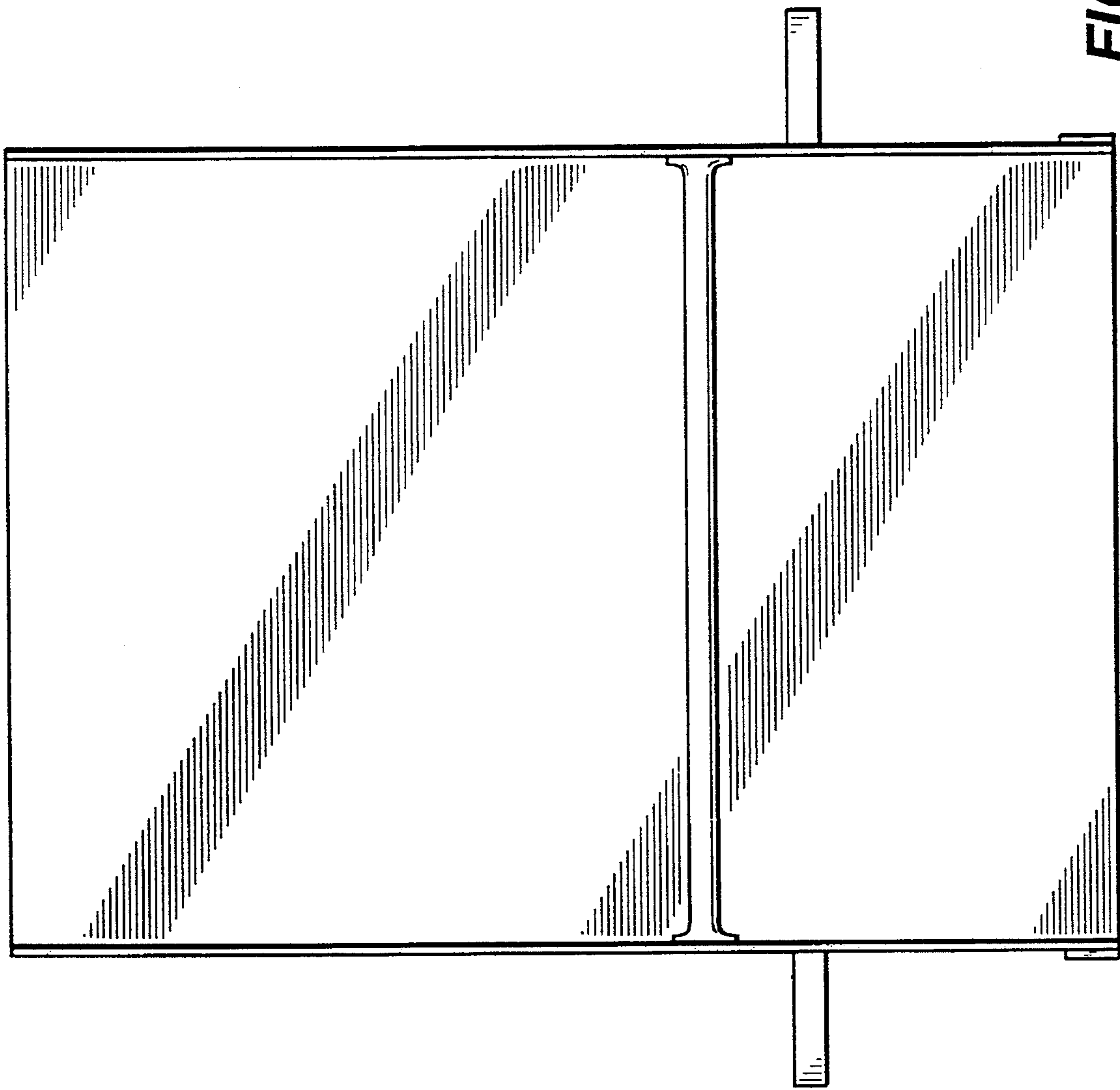


FIG. 5

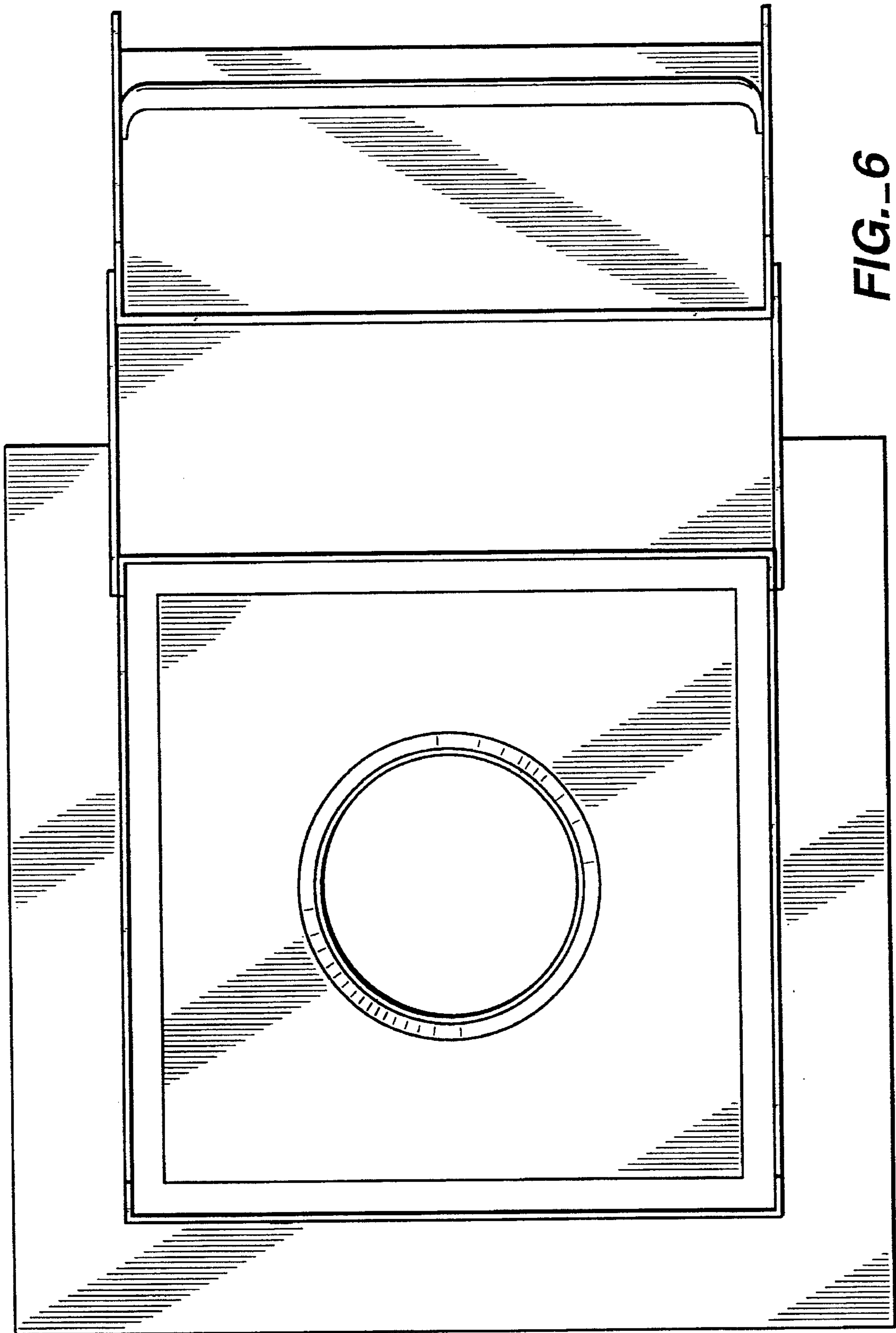


FIG. 6