



US00D378372S

# United States Patent [19]

[11] Patent Number: **Des. 378,372**

**Kim**

[45] Date of Patent: **\*\*Mar. 11, 1997**

[54] **CUTTER BY GRINDING**

[75] Inventor: **Dong H. Kim**, Inchun-si, Rep. of Korea

[73] Assignee: **LG Industrial Systems Co., Ltd.**,  
Seoul, Rep. of Korea

[\*\*] Term: **14 Years**

[21] Appl. No.: **43,150**

[22] Filed: **Aug. 28, 1995**

[30] **Foreign Application Priority Data**

Feb. 28, 1995 [KR] Rep. of Korea ..... 3411/1995

Feb. 28, 1995 [KR] Rep. of Korea ..... 3412/1995

[52] **U.S. Cl.** ..... **D15/125**

[58] **Field of Search** ..... D15/125; 451/149-162,  
451/179-193, 211

[56] **References Cited**

**U.S. PATENT DOCUMENTS**

D. 277,581 2/1985 Hakoda ..... D15/125

*Primary Examiner*—Antoine Duval Davis  
*Attorney, Agent, or Firm*—Knobbe, Martens, Olson & Bear,  
LLP

[57] **CLAIM**

The ornamental design for a cutter by grinding, as shown and described.

**DESCRIPTION**

FIG. 1 is a front perspective view of the cutter by grinding of the present invention;

FIG. 2 is a front elevational view thereof;

FIG. 3 is a rear elevational view thereof;

FIG. 4 is a left side elevational view thereof;

FIG. 5 is a right side elevational view thereof;

FIG. 6 is a top plan view thereof; and,

FIG. 7 is a bottom plan view thereof.

**1 Claim, 6 Drawing Sheets**

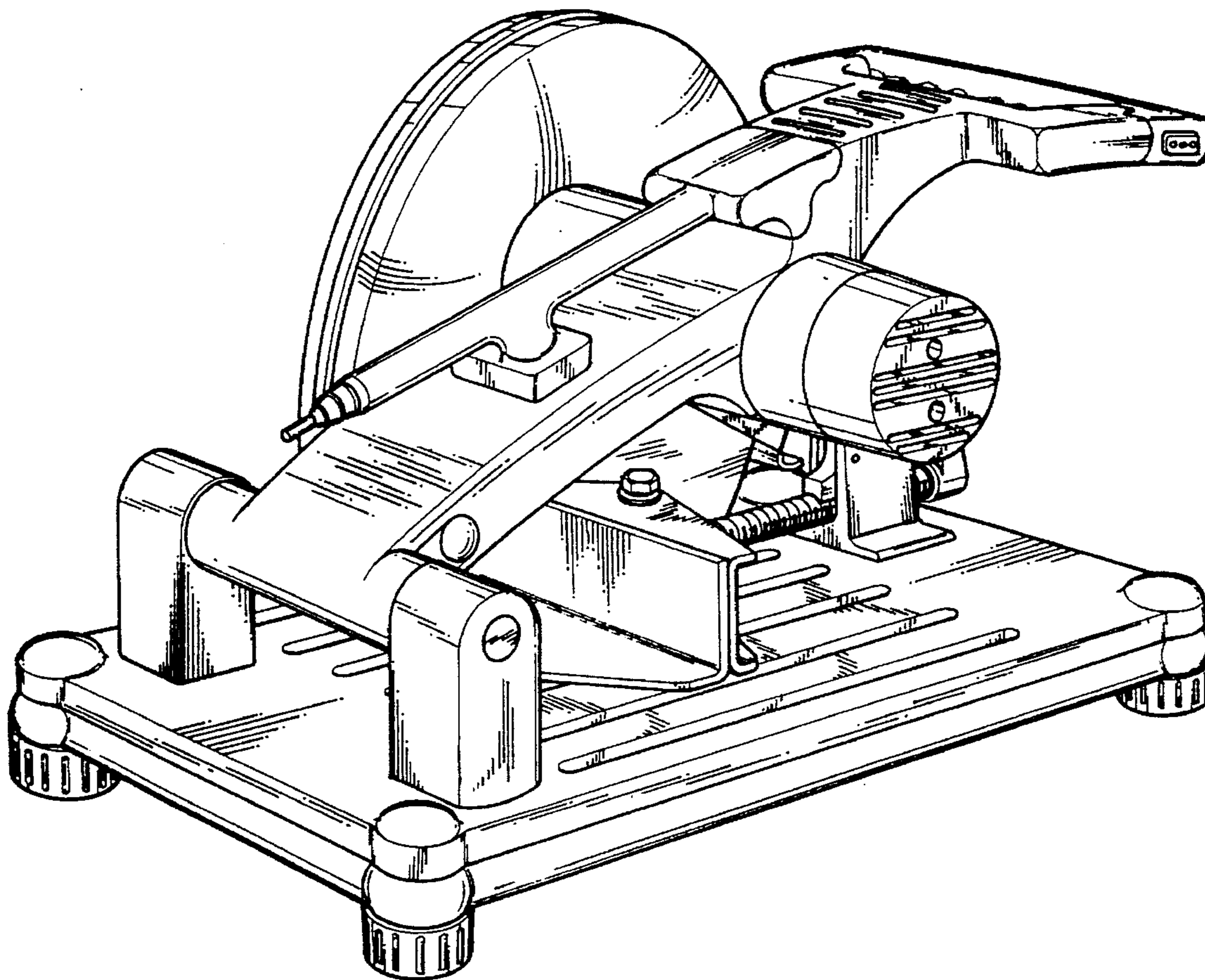


FIG. 1

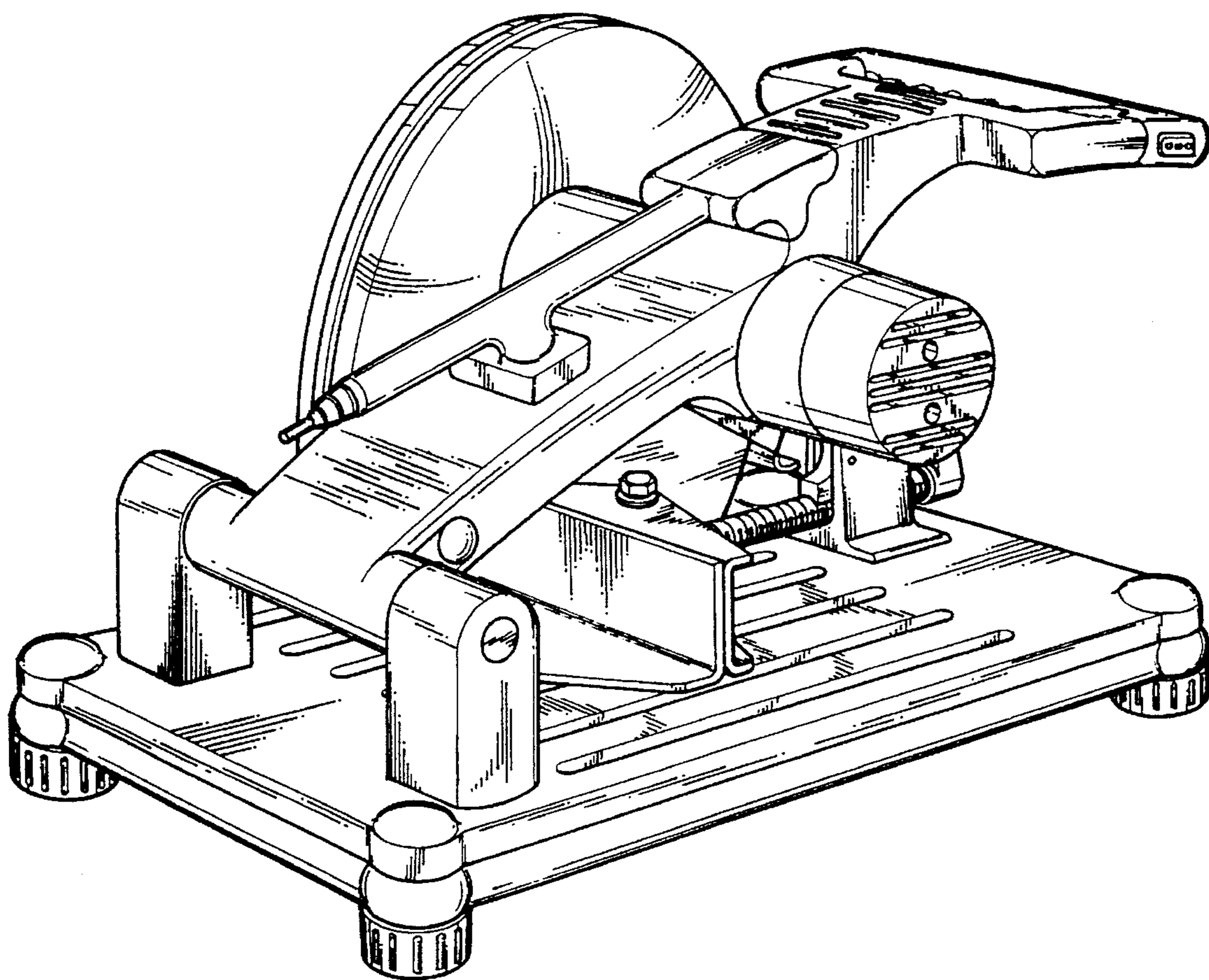


FIG. 2

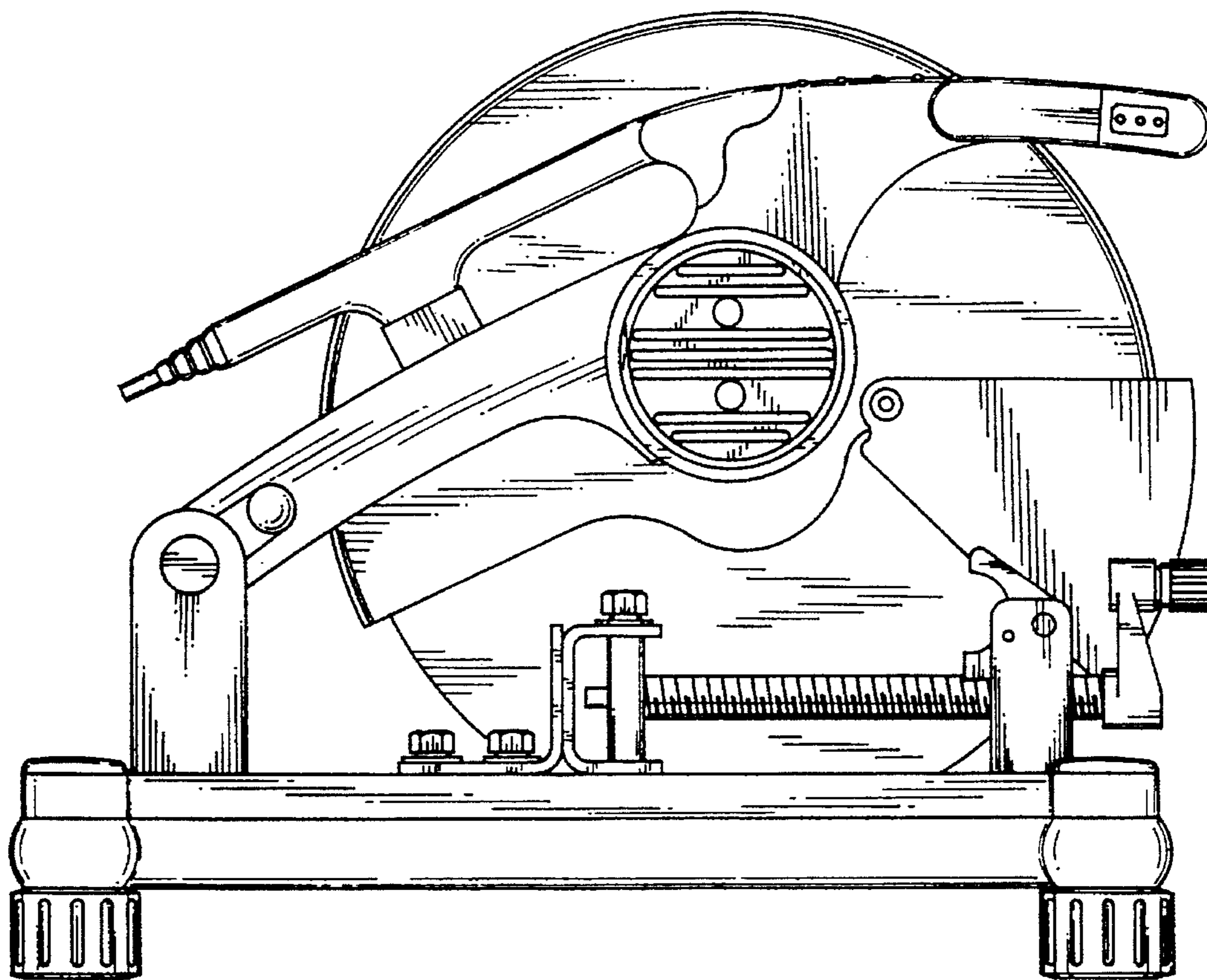
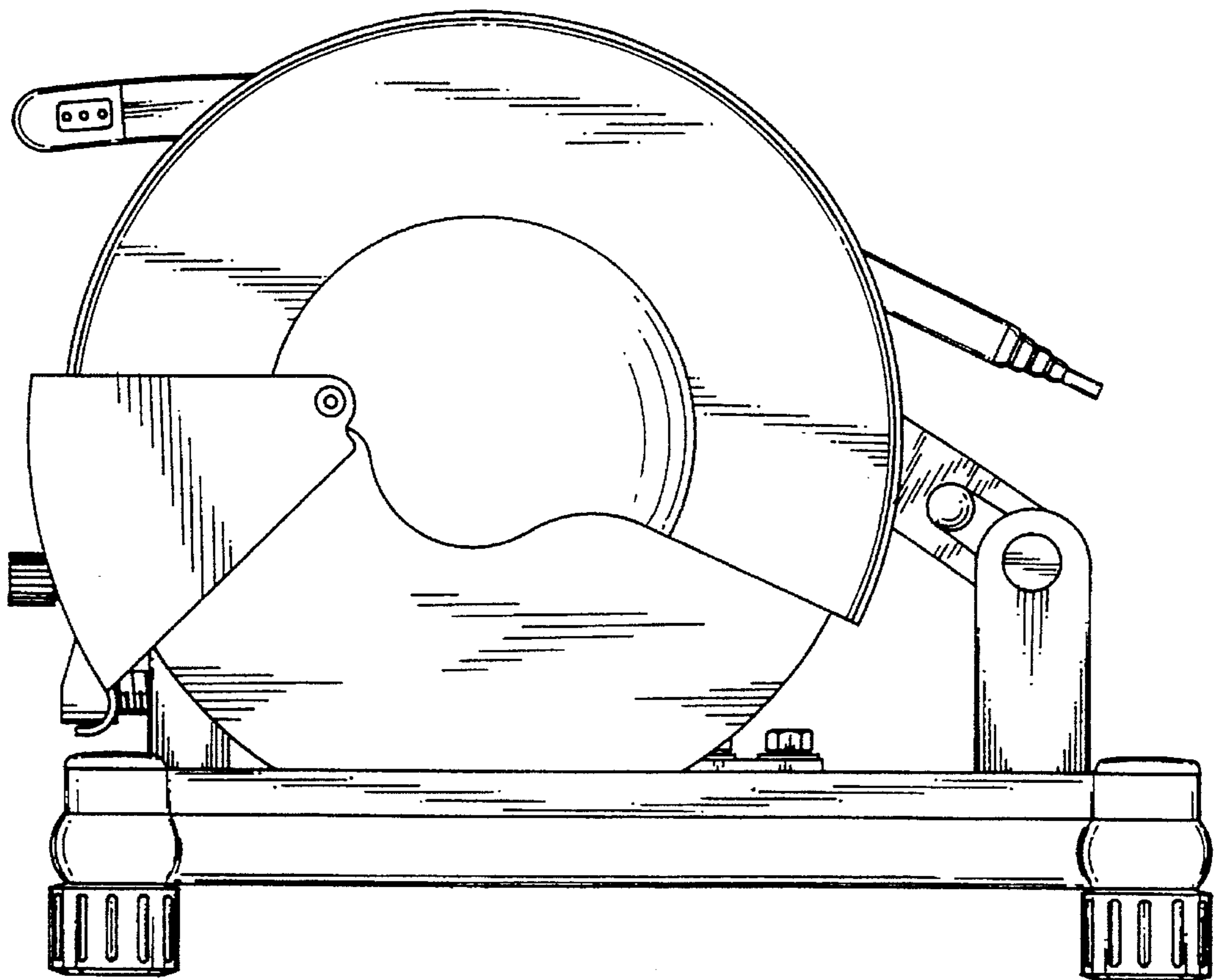


FIG. 3



**FIG. 4**

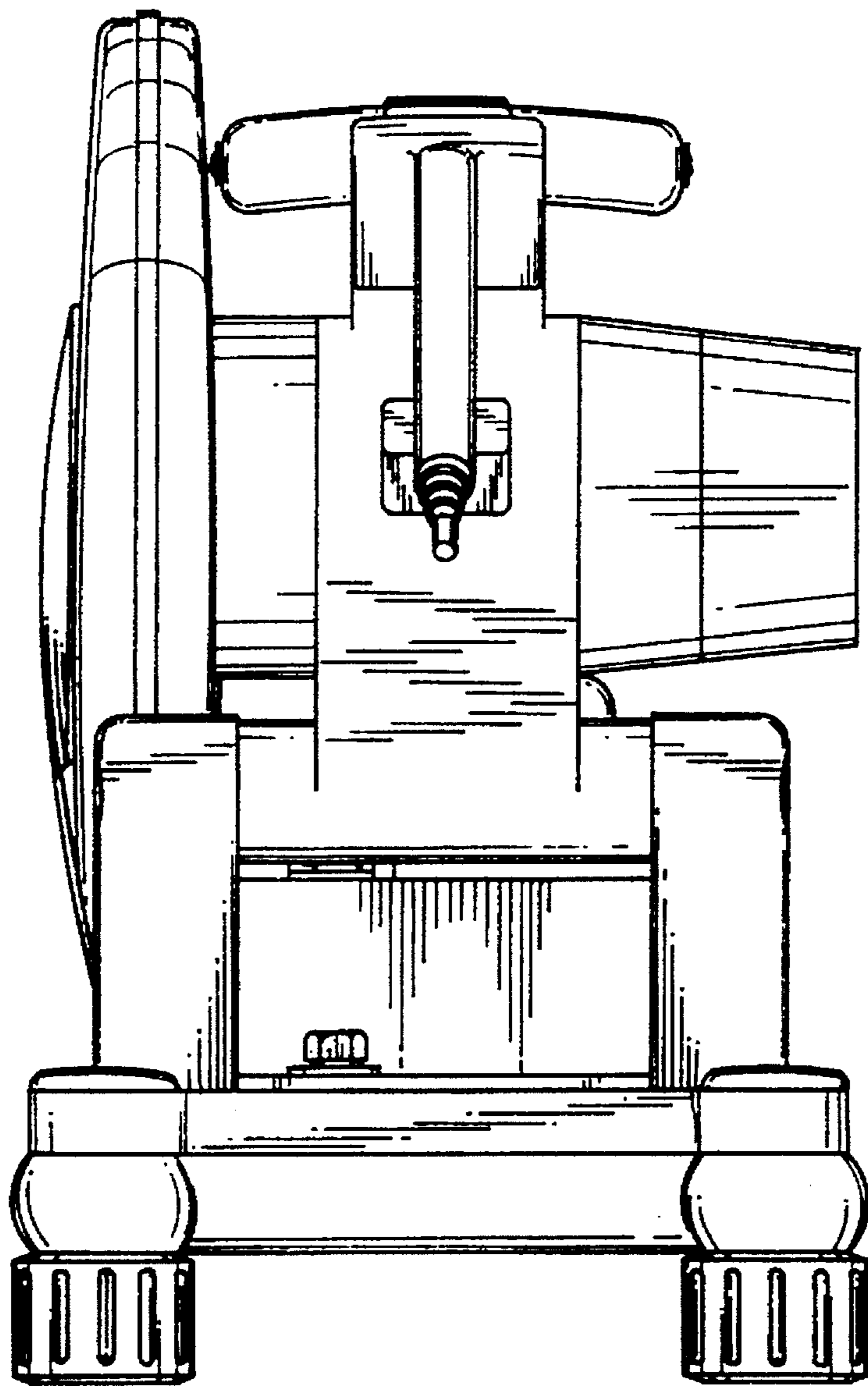


FIG. 5

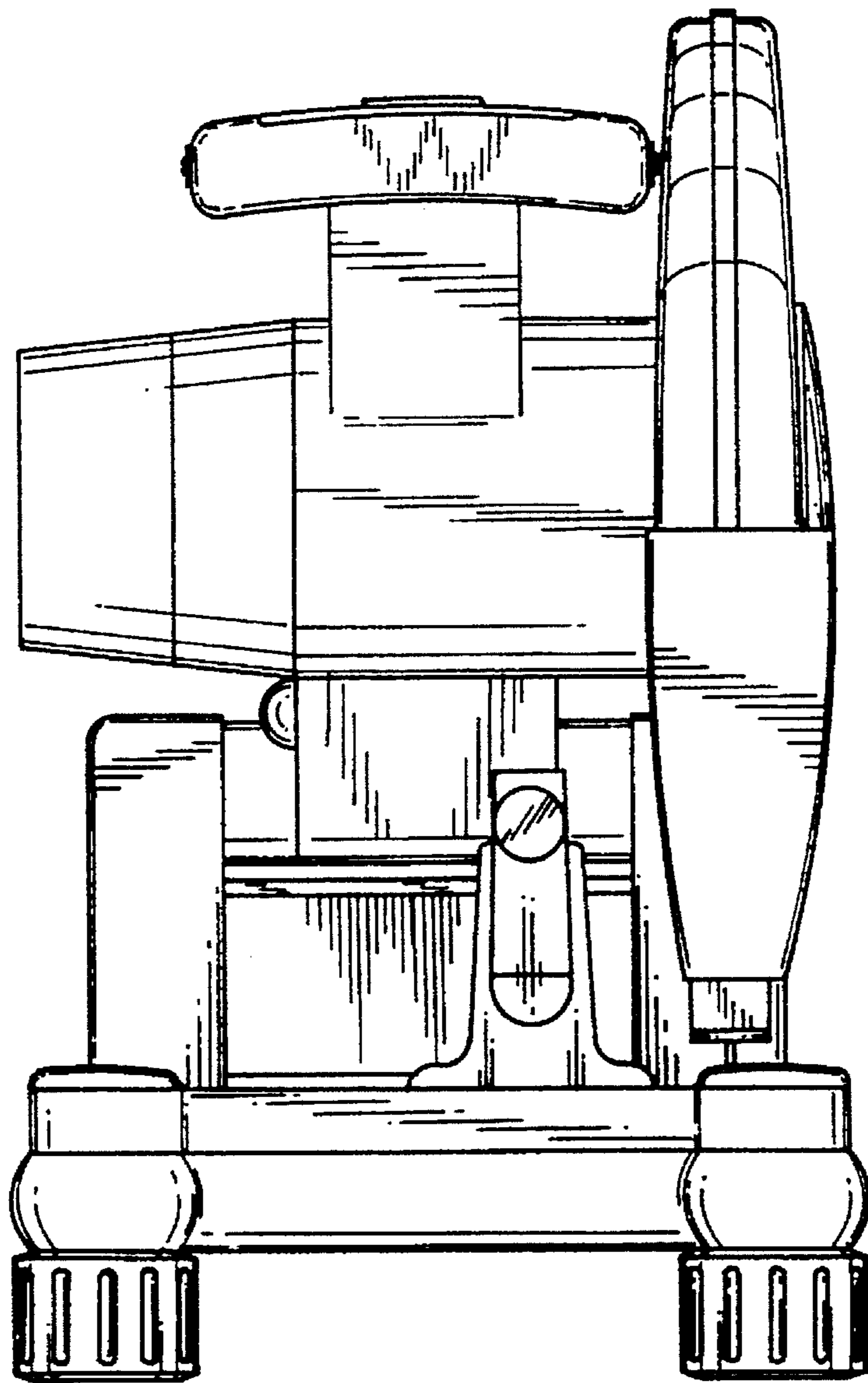


FIG. 6

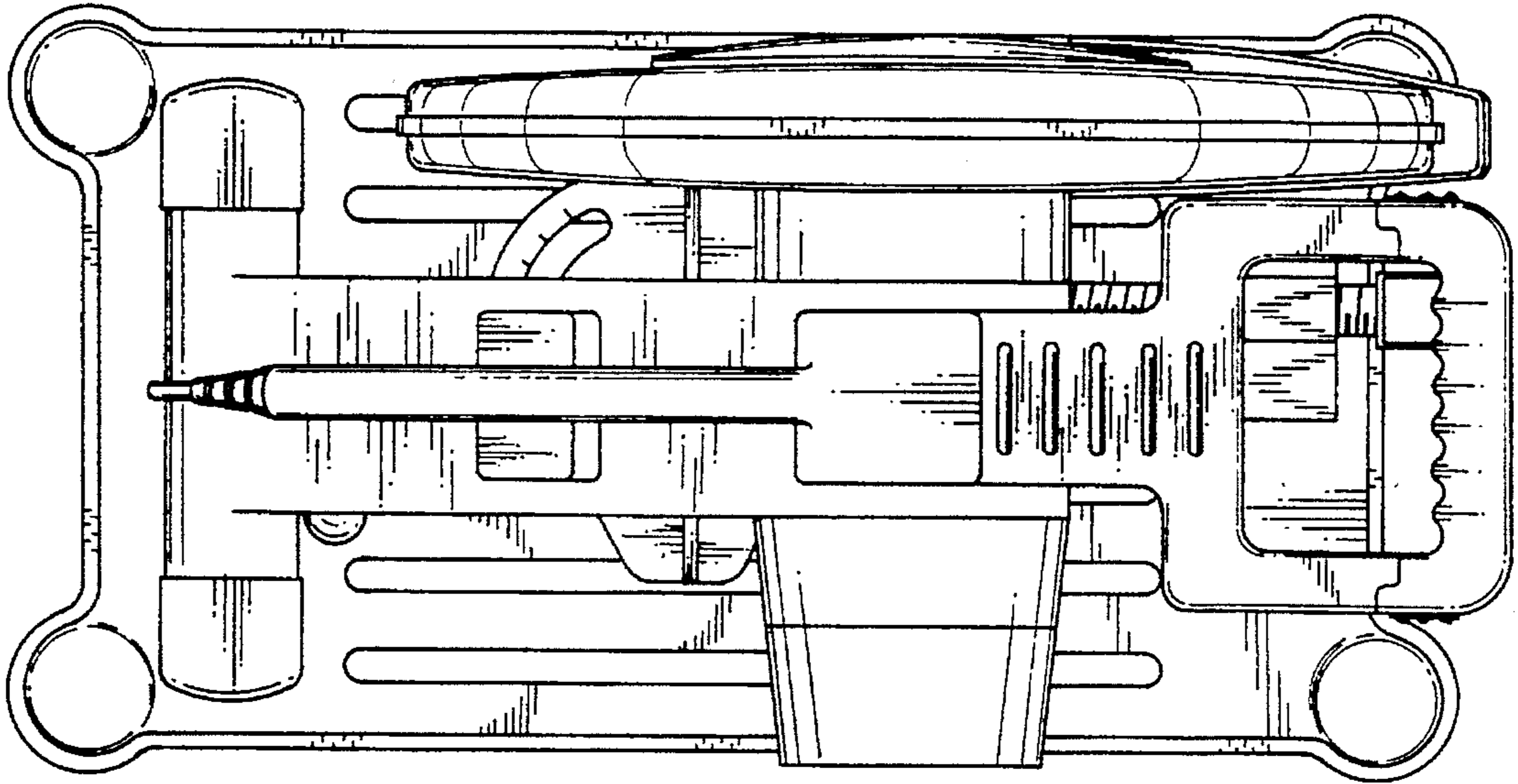


FIG. 7

