



US00D378370S

United States Patent [19]

[11] Patent Number: **Des. 378,370**

Zeitman

[45] Date of Patent: ****Mar. 11, 1997**

[54] **COMBINED RADIO AND CASSETTE
PLAYER**

D. 350,751 9/1994 Matsuzaka D14/165
D. 350,959 9/1994 Sumikawa D14/165 X
D. 351,168 10/1994 Sumikawa D14/165

[75] Inventor: **Josh Zeitman**, Brooklyn, N.Y.

Primary Examiner—Sandra L. Morris

[73] Assignee: **Lenox Electronics Corp.**, Brooklyn, N.Y.

Assistant Examiner—Nanda Bondade

Attorney, Agent, or Firm—Burns, Doane, Swecker & Mathis

[**] Term: **14 Years**

[57] **CLAIM**

[21] Appl. No.: **45,136**

The ornamental design for a combined radio and cassette player, as shown and described.

[22] Filed: **Oct. 10, 1995**

DESCRIPTION

[52] U.S. Cl. **D14/162**

[58] Field of Search D14/124, 160-168,
D14/188-190, 192-198, 217, 257, 260,
299; 455/344, 347-351

FIG. 1 is a front view of a combined radio and cassette player showing my new design;

FIG. 2 is rear view thereof;

FIG. 3 is a top plan view thereof;

FIG. 4 is a bottom plan view thereof;

FIG. 5 is a left side elevational view thereof;

FIG. 6 is a right side elevational view thereof;

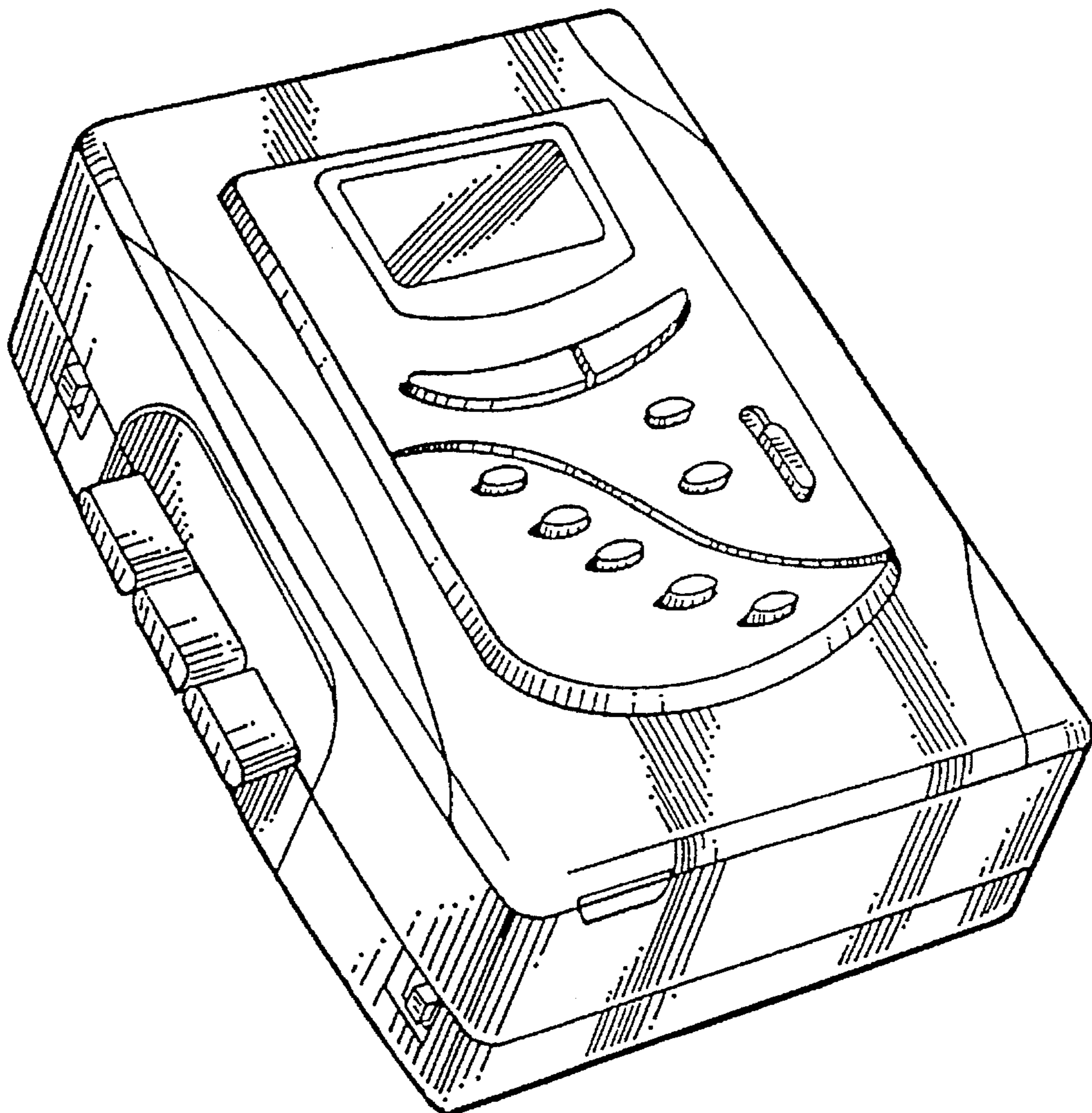
FIG. 7 is a perspective view thereof.

[56] **References Cited**

U.S. PATENT DOCUMENTS

D. 320,017 9/1991 Ikeyama et al. D14/163 X
D. 347,843 6/1994 Iribe et al. D14/165
D. 350,749 9/1994 Wada et al. D14/165 X

1 Claim, 4 Drawing Sheets



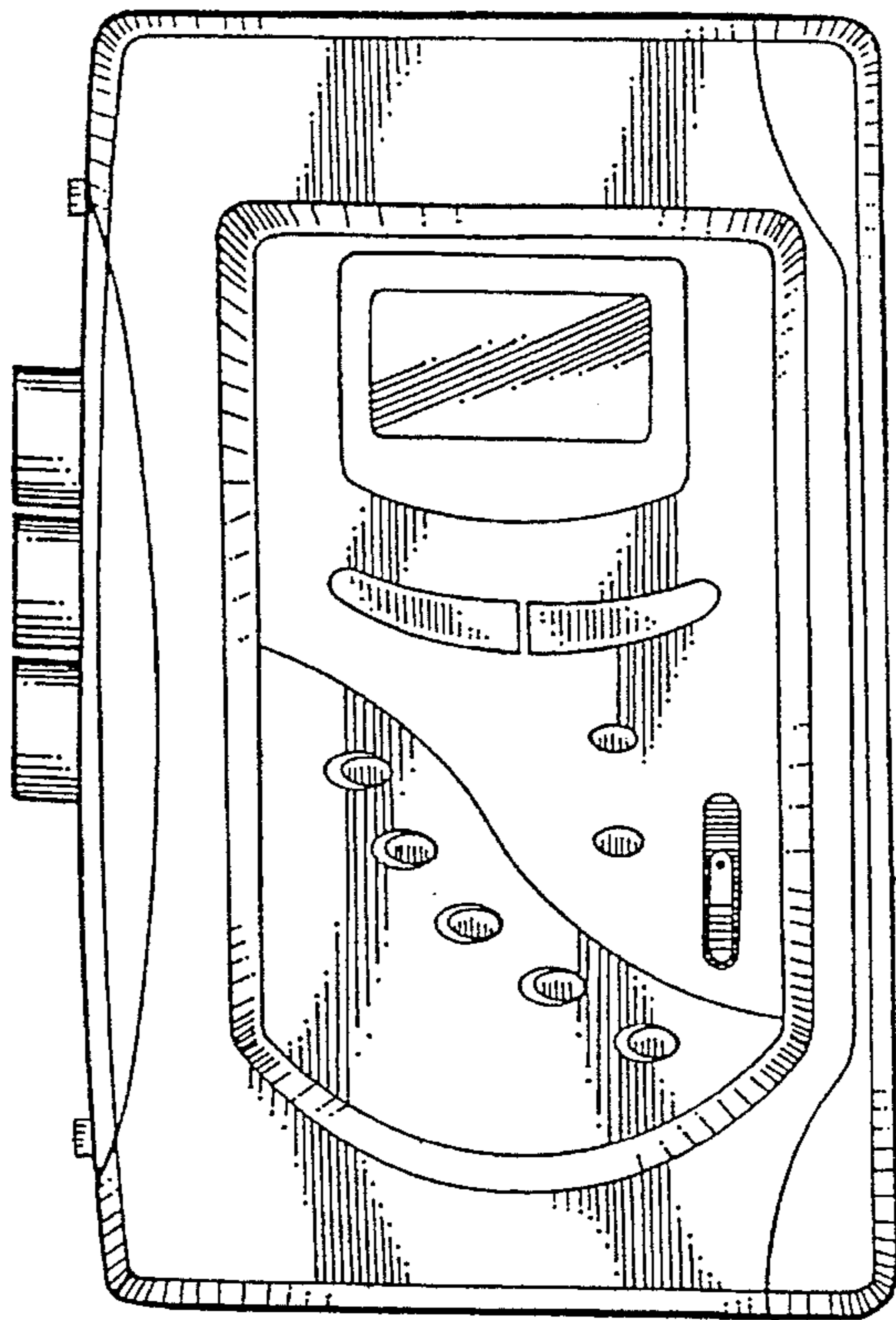


FIG. 1

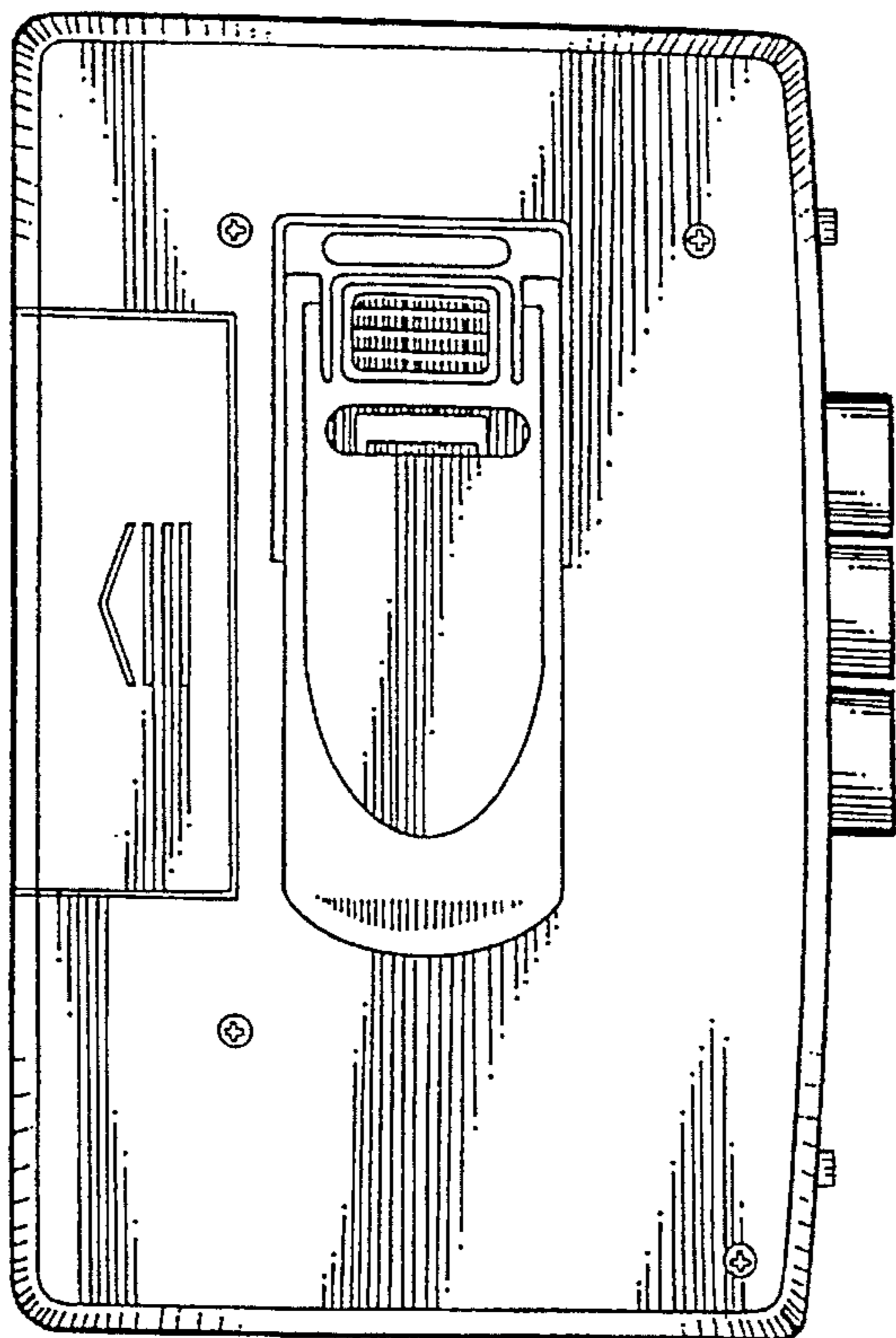


FIG. 2

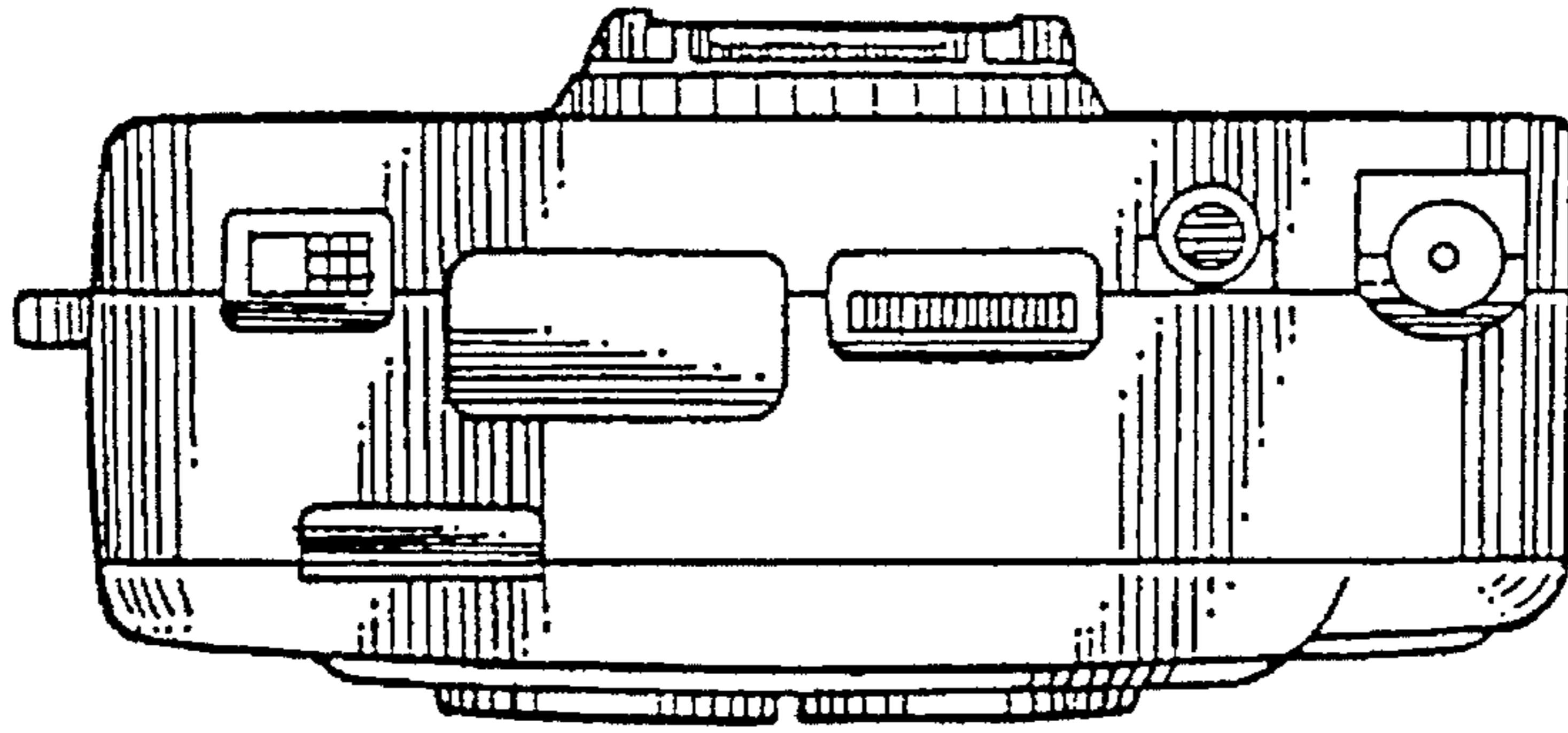


FIG. 3

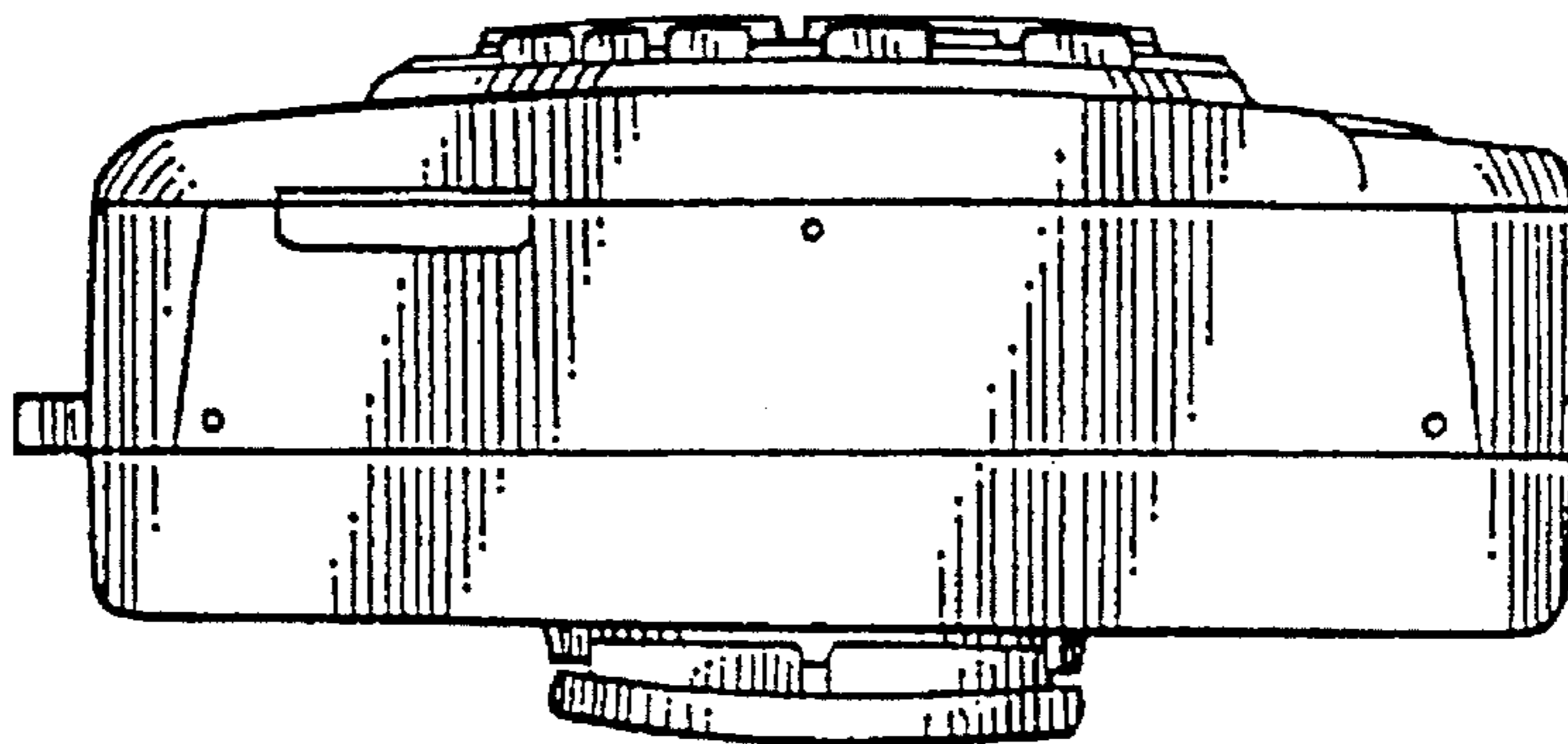


FIG. 4

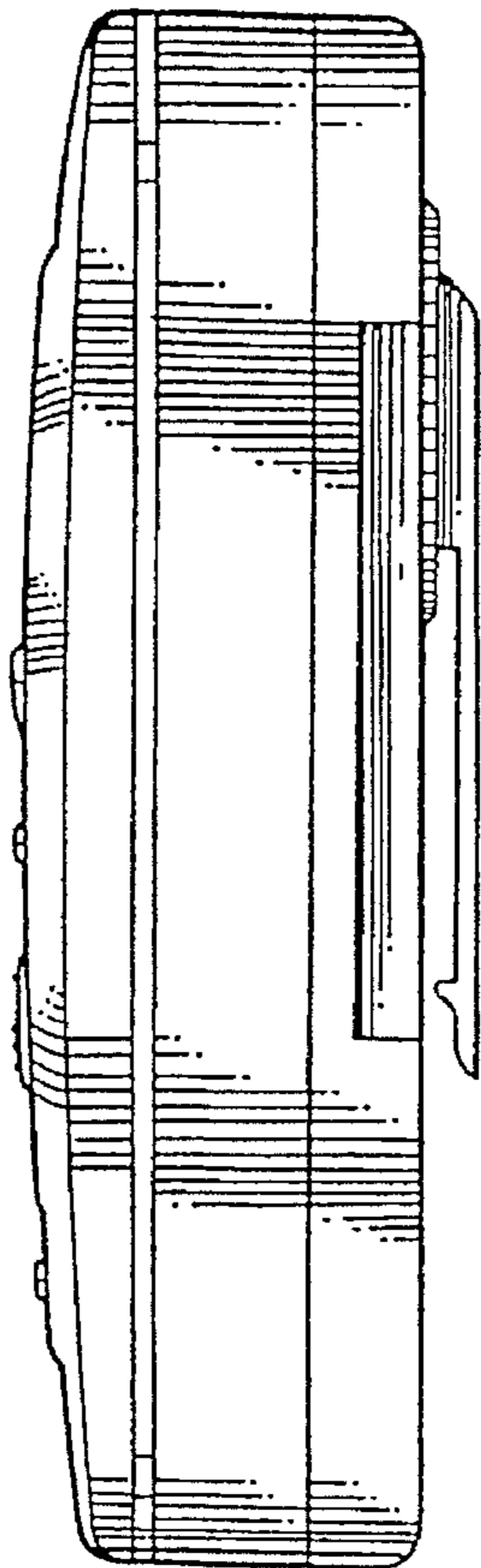


FIG. 5

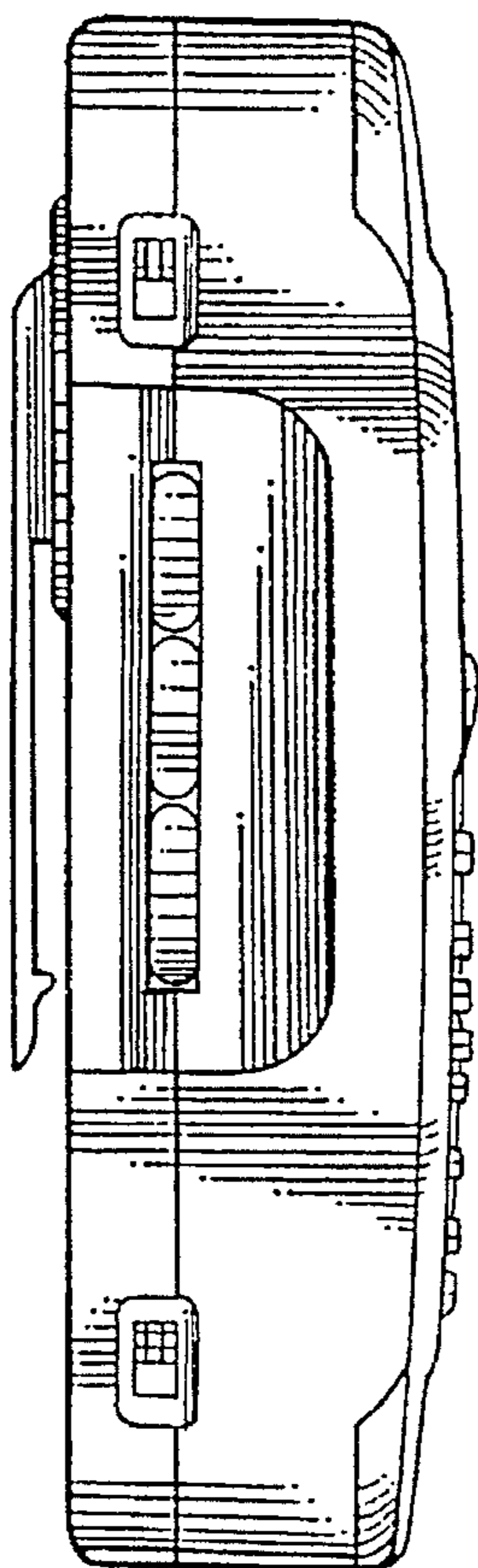


FIG. 6

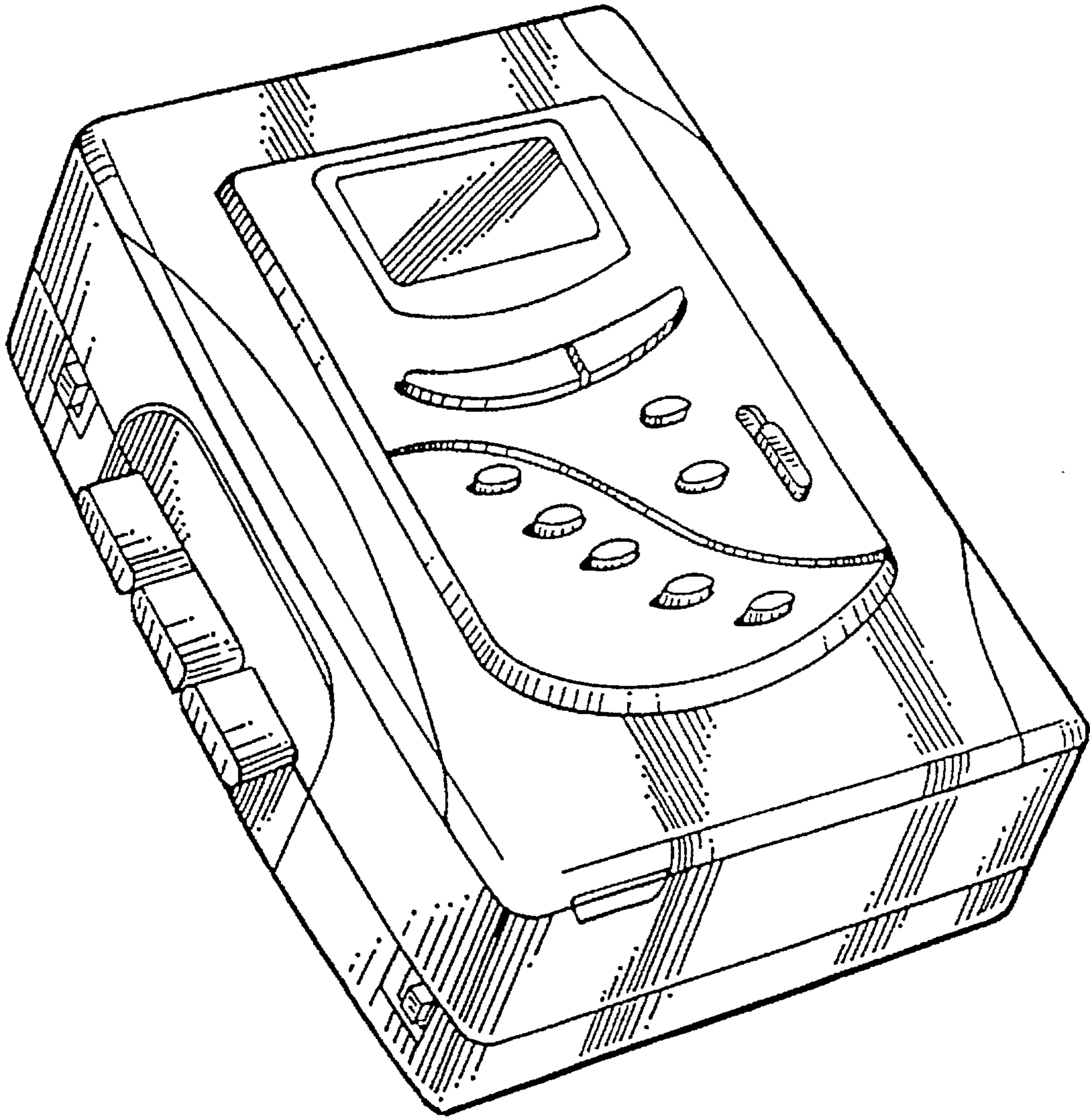


FIG. 7