



US00D378365S

United States Patent [19]

Fitzgerald et al.

[11] Patent Number: **Des. 378,365**

[45] Date of Patent: ****Mar. 11, 1997**

[54] **WINDSHIELD WIPER UNIT**

[75] Inventors: **Michael E. Fitzgerald**, Walkerton;
James P. Witek, Michigan City; **John Clark**, Elkhart; **William A. Powell**, Michigan City, all of Ind.

[73] Assignee: **Cooper Industries, Inc.**, Houston, Tex.

[**] Term: **14 Years**

[21] Appl. No.: **27,061**

[22] Filed: **Aug. 11, 1994**

[52] U.S. Cl. **D12/219**

[58] Field of Search D12/219; 15/250.31,
15/250.32, 250.33, 250.35, 250.36, 250.38,
250.41, 250.42, 250.4

[56] **References Cited**

U.S. PATENT DOCUMENTS

D. 329,034 9/1992 Charet et al. D12/219

D. 332,593 1/1993 Gerardiello et al. D12/219
D. 347,610 6/1994 Charet et al. D12/219
3,405,421 10/1968 Tomlin D12/219 X
5,243,731 9/1993 Yang 15/250.33 X

Primary Examiner—Freda Nunn
Attorney, Agent, or Firm—Fish & Richardson P.C.

[57] **CLAIM**

The ornamental design for a windshield wiper unit, as shown and described.

DESCRIPTION

FIG. 1 is a side view of a windshield wiper unit showing our new design the opposite side being a mirror image;
FIG. 2 is a bottom view thereof;
FIG. 3 is a top view thereof; and,
FIG. 4 is an end view thereof the opposite end being a mirror image.

1 Claim, 1 Drawing Sheet

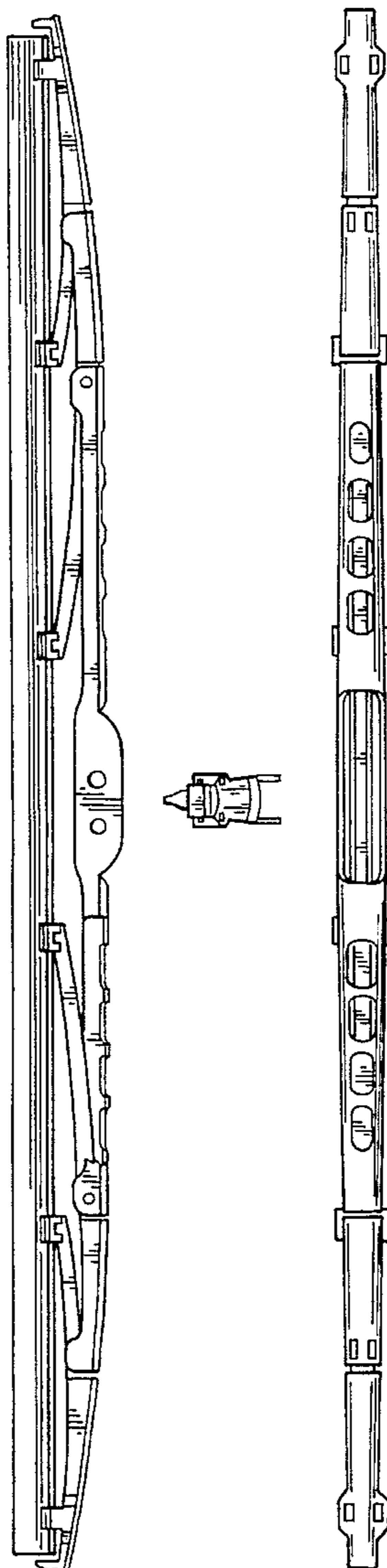


FIG. 1

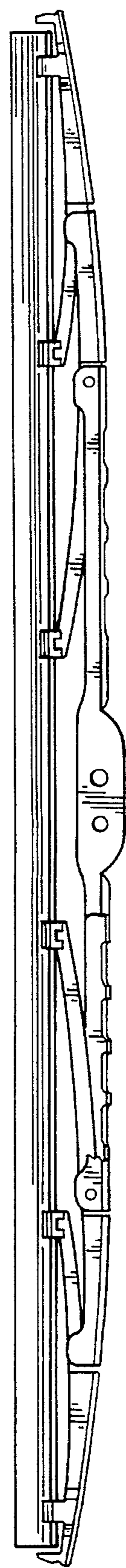


FIG. 2

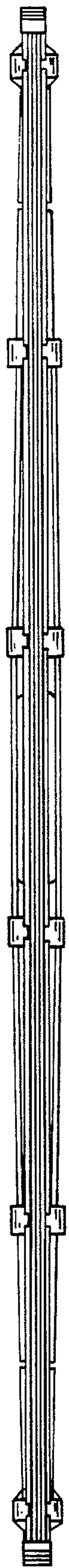


FIG. 3

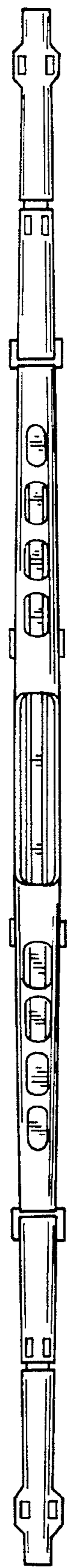


FIG. 4