



US00D378363S

# United States Patent [19]

[11] Patent Number: **Des. 378,363**

**Sin**

[45] Date of Patent: **\*\*Mar. 11, 1997**

[54] CALIPER BRAKE HOUSING

5,181,588 1/1993 Emmons ..... 188/71.1

[75] Inventor: **Jung H. Sin**, Taegu, Rep. of Korea

*Primary Examiner*—Melody N. Brown

*Attorney, Agent, or Firm*—Schmeiser, Olsen & Watts

[73] Assignee: **Daewoo Automotive Component, Ltd.**,  
Kyung Sang Buk Do, Rep. of Korea

[57] **CLAIM**

[\*\*] Term: **14 Years**

The ornamental design for caliper brake housing, as shown.

[21] Appl. No.: **42,840**

**DESCRIPTION**

[22] Filed: **Aug. 18, 1995**

FIG. 1 is a top perspective view of a caliper brake housing showing my new design;

[52] U.S. Cl. .... **D12/180**

FIG. 2 is a front view of the present invention;

[58] Field of Search ..... D12/180; 188/71.1,  
188/73.3, 73.45

FIG. 3 is a rear view of the present invention;

FIG. 4 is a left side elevational view of the present invention;

FIG. 5 is a right side elevational view of the present invention;

[56] **References Cited**

**U.S. PATENT DOCUMENTS**

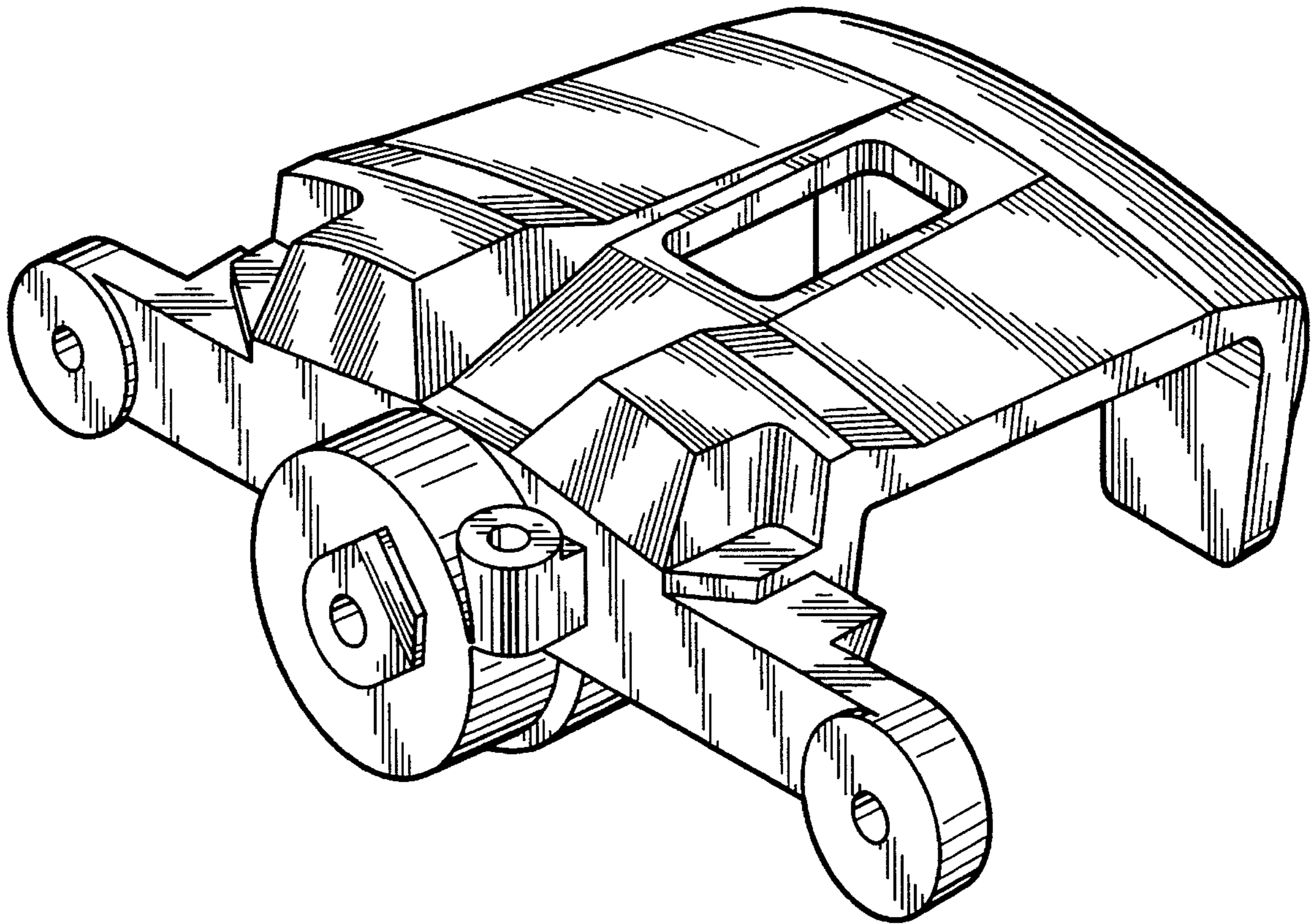
D. 351,365	10/1994	Powers	.....	D12/180
D. 354,469	1/1995	Powers	.....	D12/180
4,199,159	4/1980	Evans	.....	188/73.31
5,036,932	8/1991	Schonenberger	.....	188/71.1

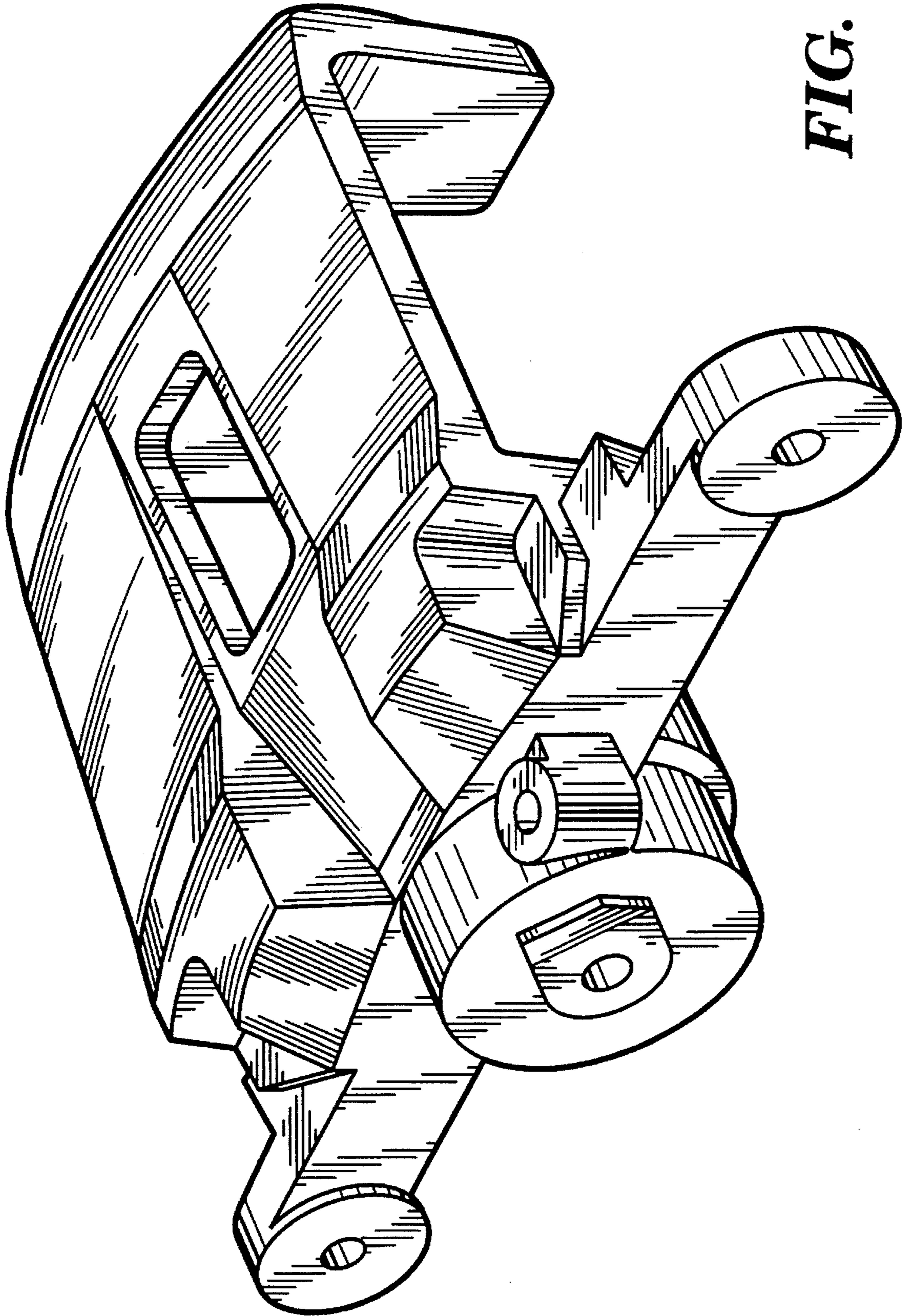
FIG. 6 is a top plan view of the present invention;

FIG. 7 is a bottom perspective of the present invention; and,

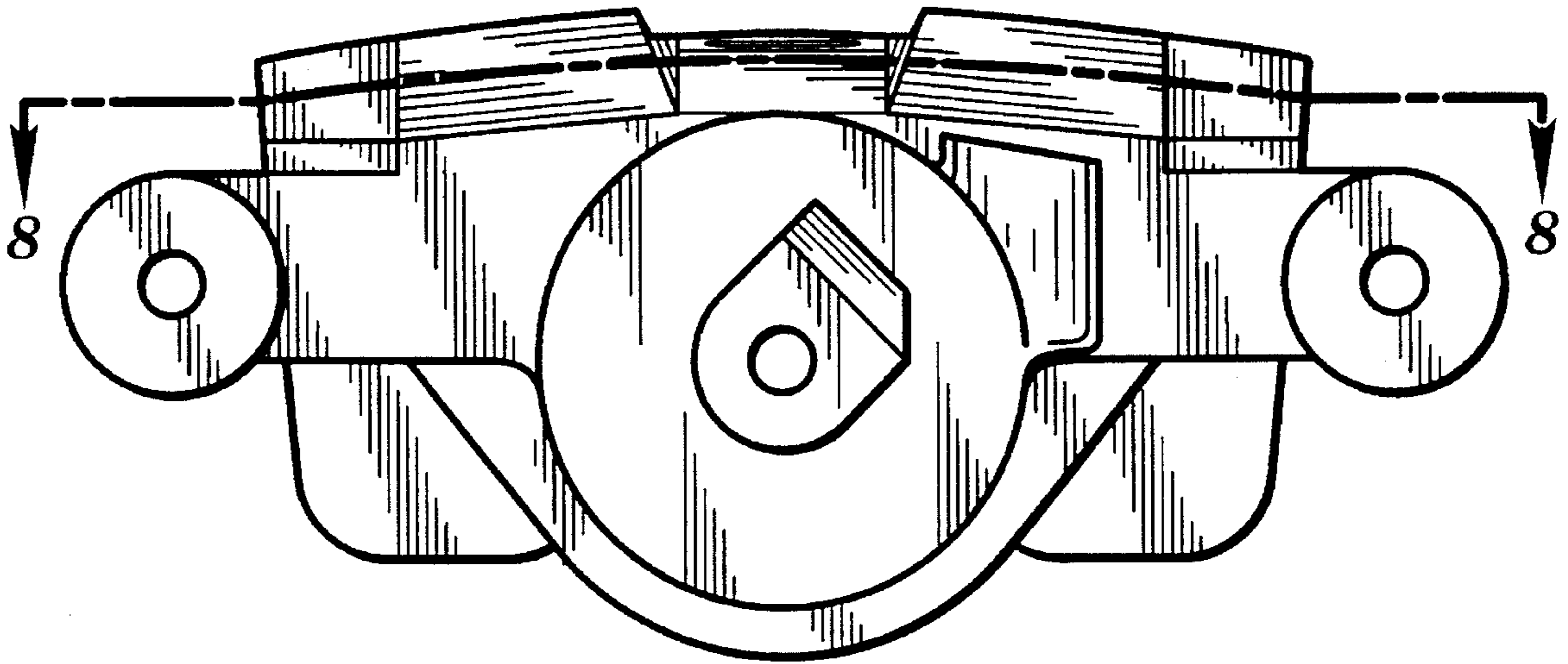
FIG. 8 is a cross sectional view taken along line 8—8 in FIG. 2 of the present invention.

**1 Claim, 6 Drawing Sheets**

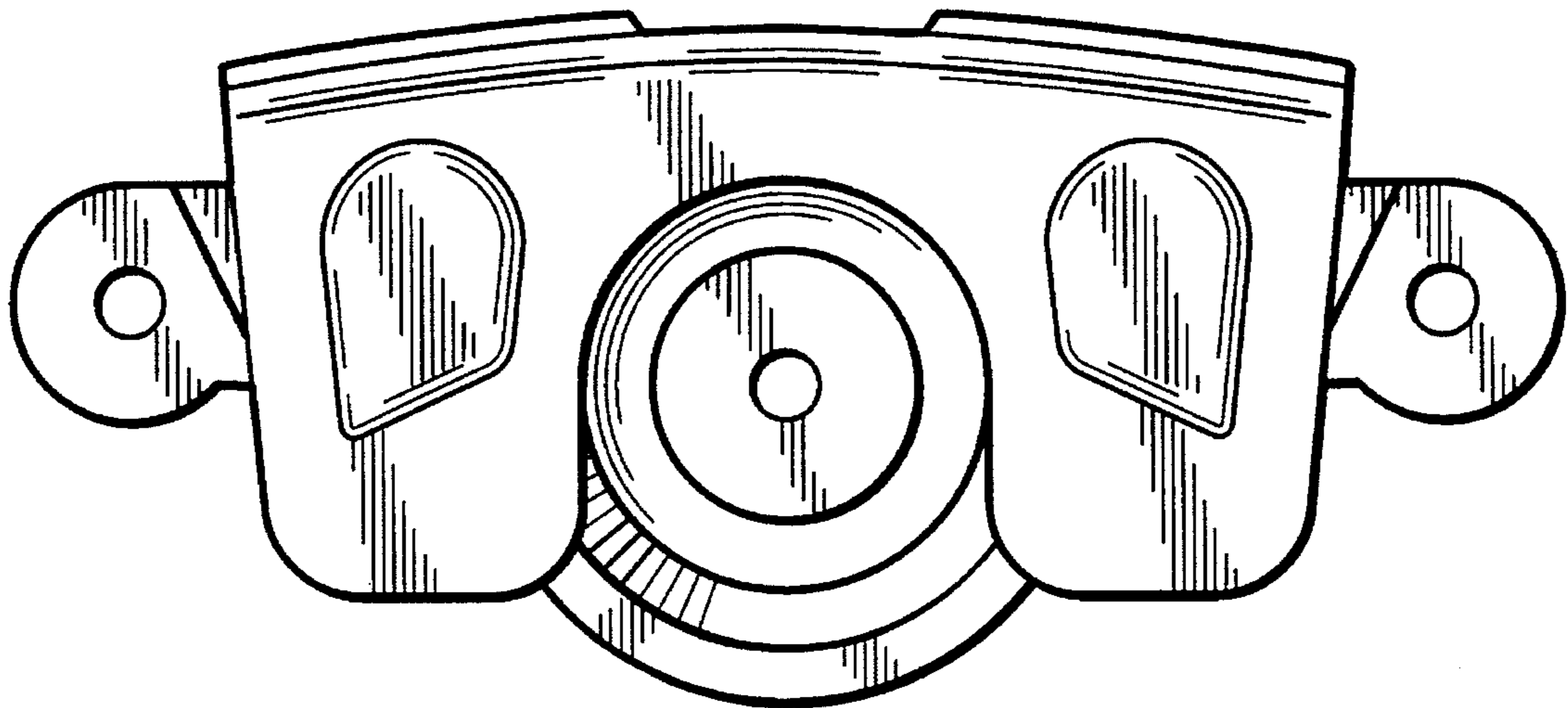




**FIG. 1**

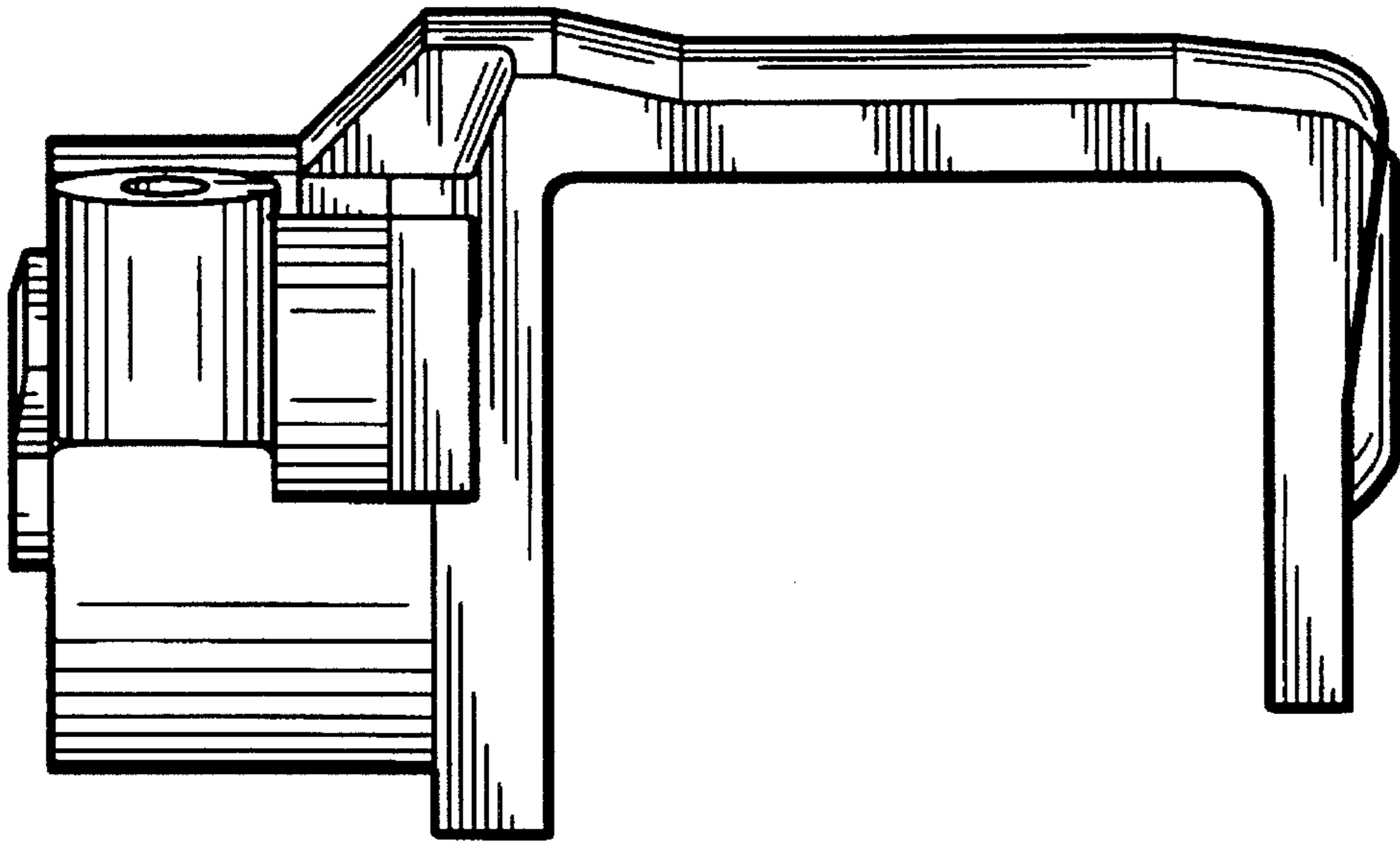


**FIG. 2**

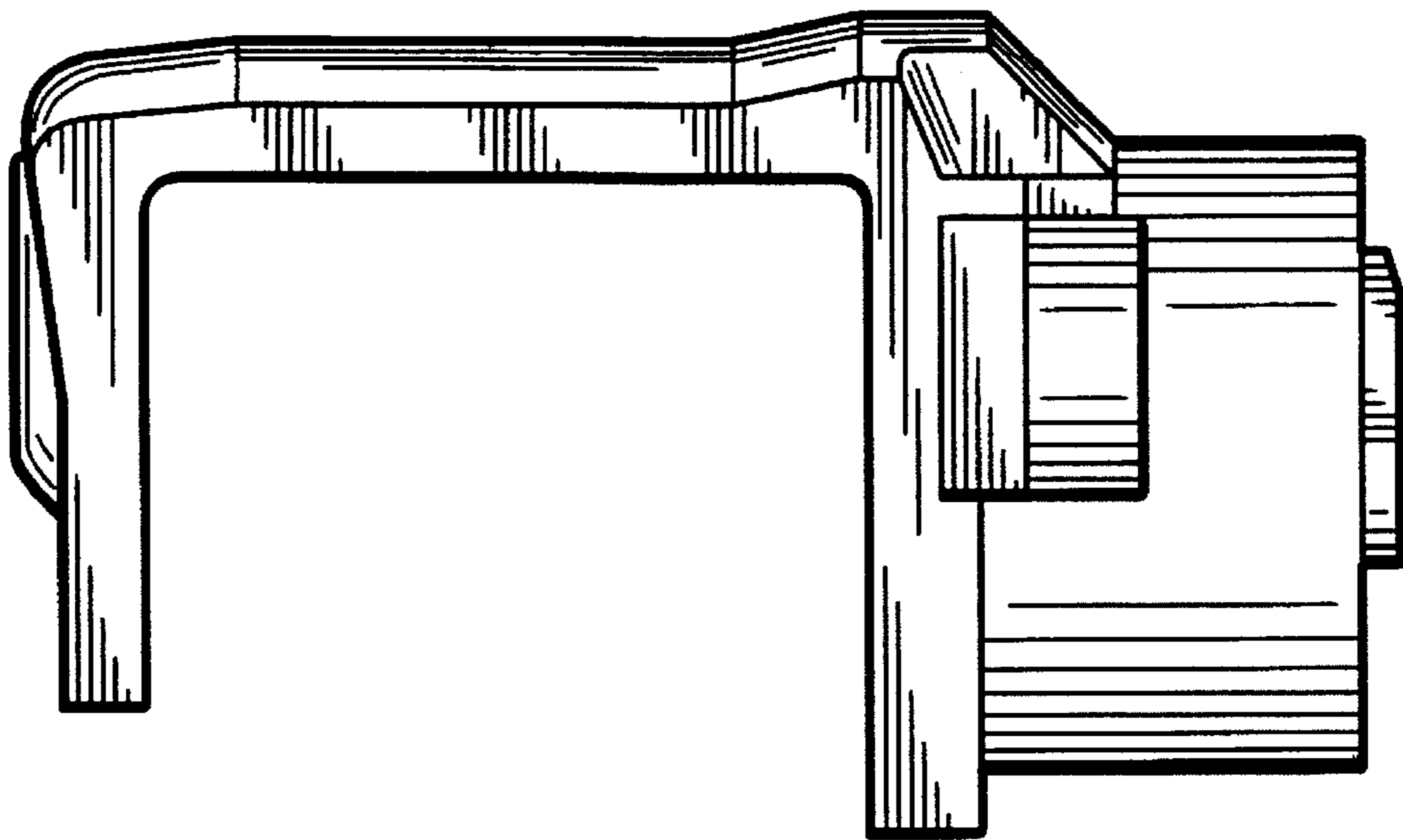


**FIG. 3**

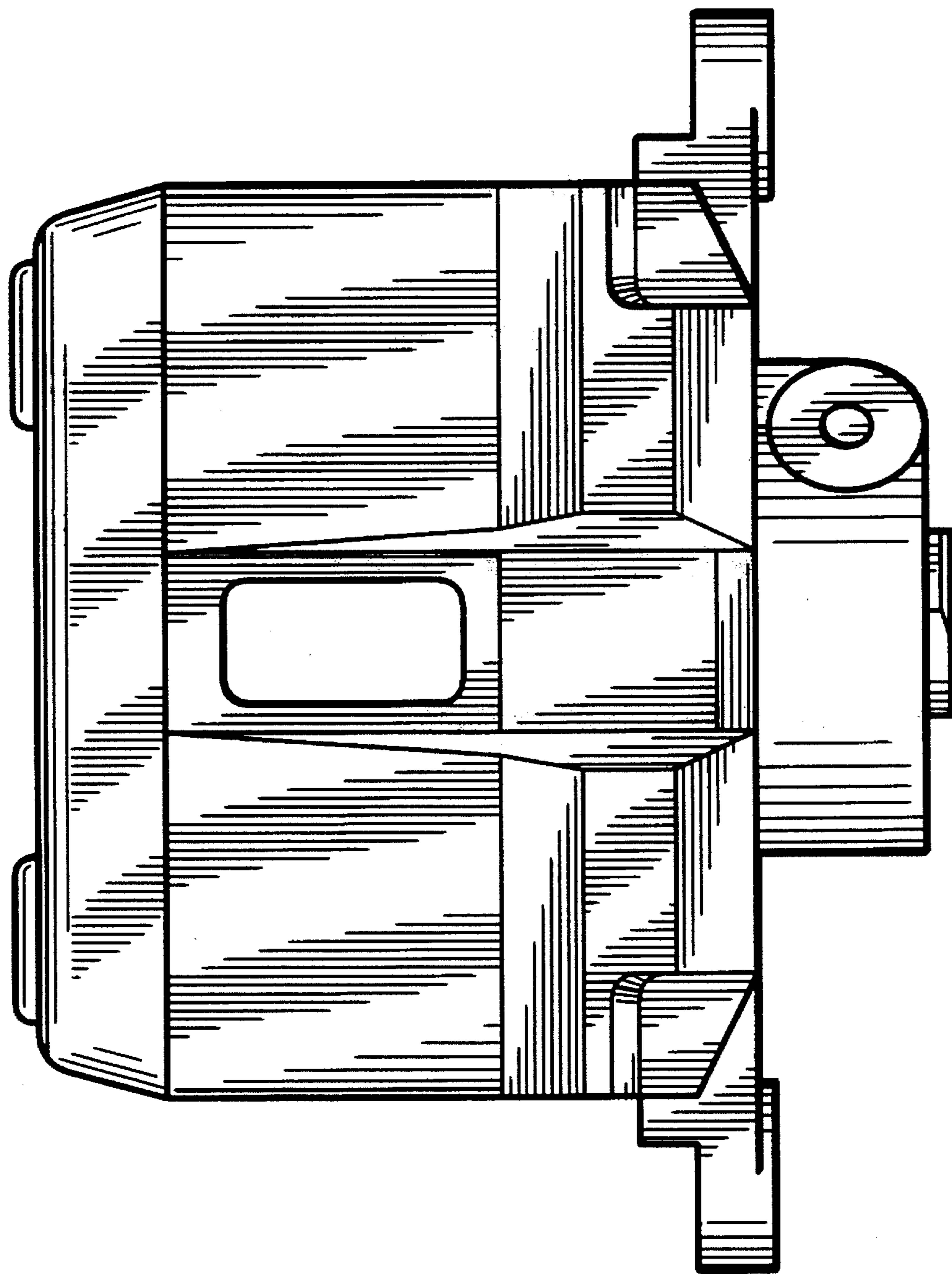




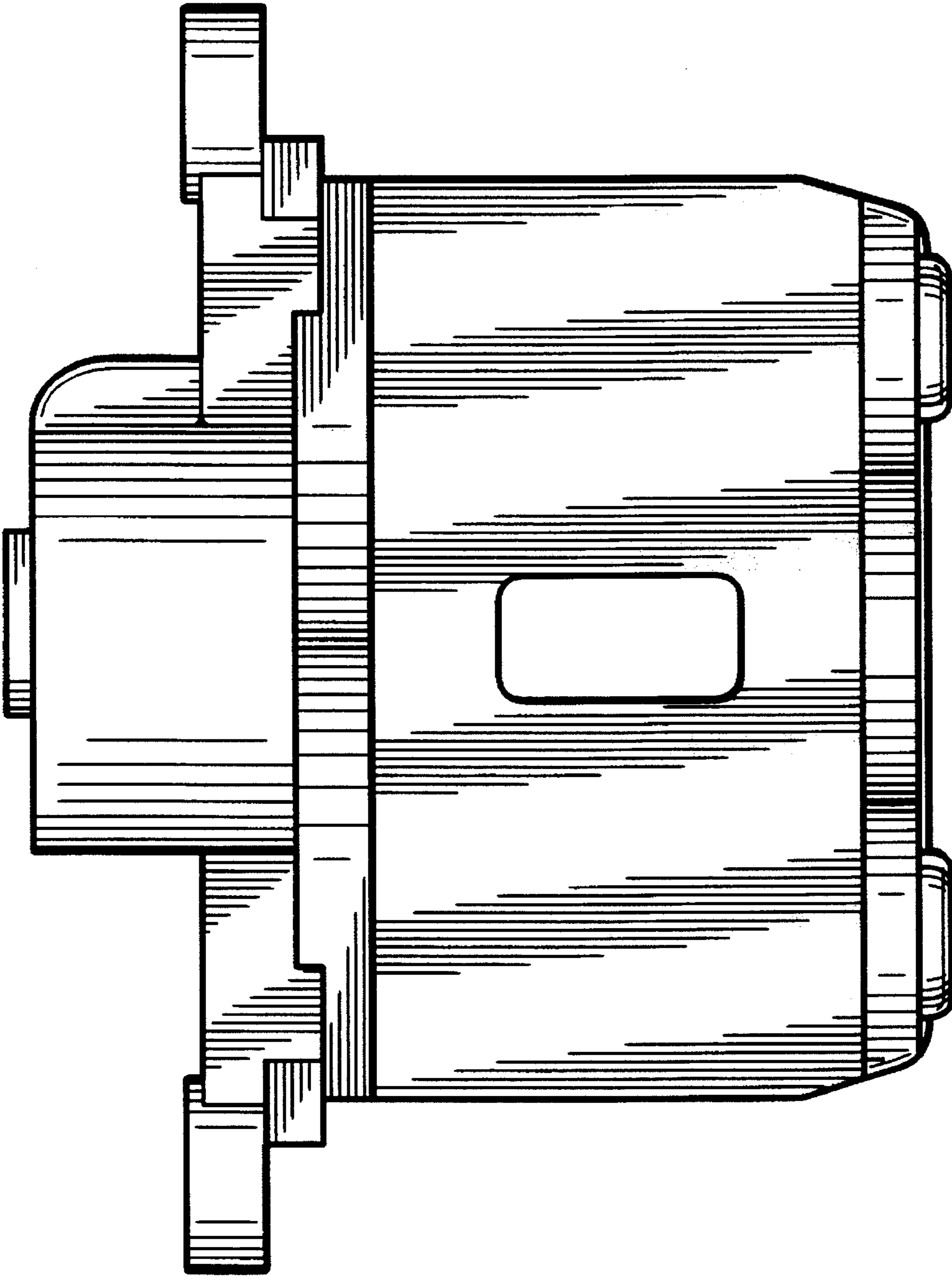
**FIG. 4**



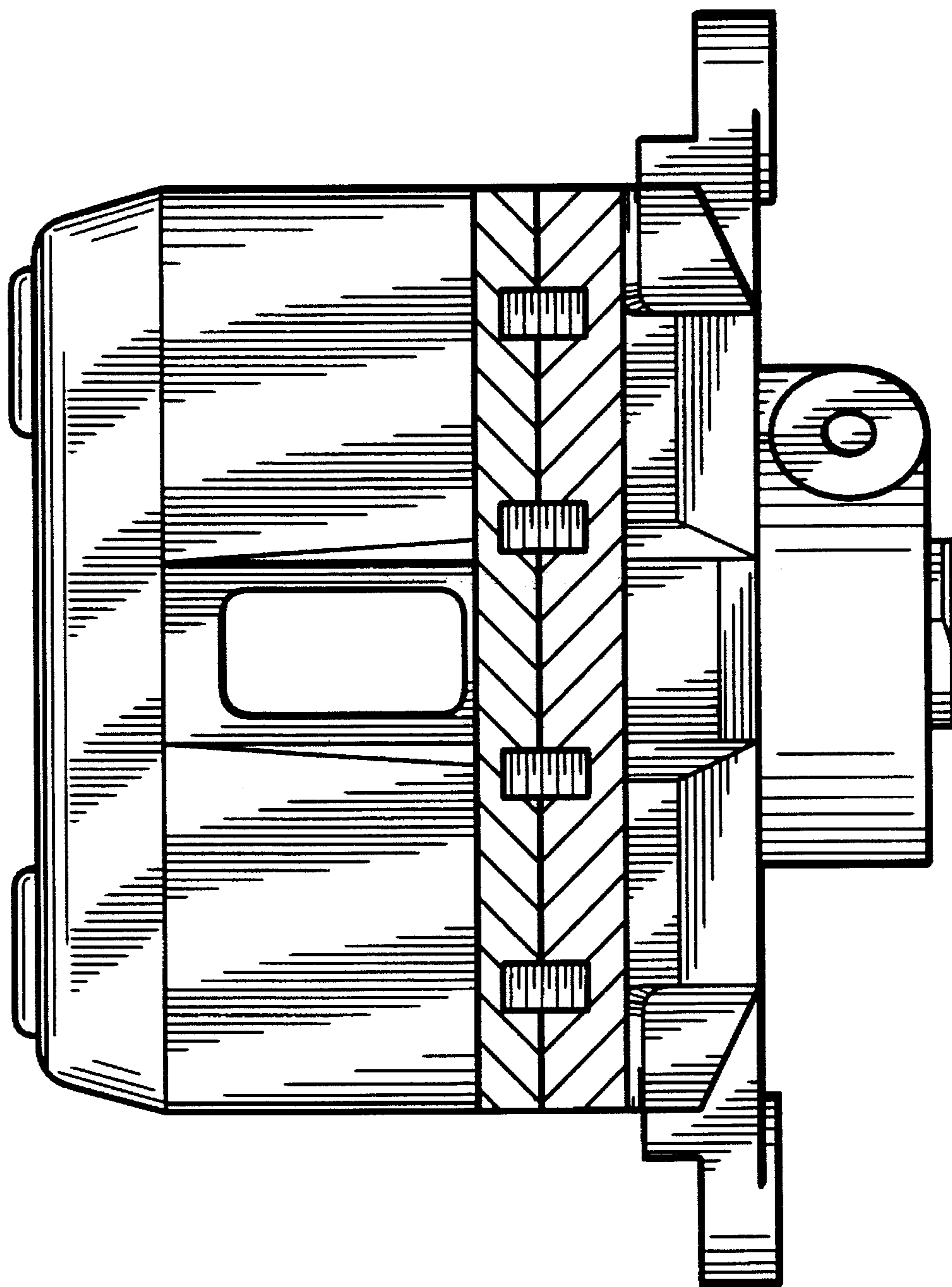
**FIG. 5**



**FIG. 6**



**FIG. 7**



**FIG. 8**