



US00D378362S

United States Patent [19]

[11] Patent Number: **Des. 378,362**

Schlangen et al.

[45] Date of Patent: ****Mar. 11, 1997**

[54] **COMBINED SEAT POST AND EXTENSION**

D. 298,814	12/1988	Borromeo	D12/119
D. 324,837	3/1992	Allsop et al.	D12/119
5,240,268	8/1993	Allsop et al.	D12/119
5,273,302	12/1993	Urcei	280/279

[75] Inventors: **Phillip E. Schlangen; Raymond J. Buresch**, both of Minneapolis, Minn.

[73] Assignee: **Hydro-Bikes, Inc.**, Minneapolis, Minn.

Primary Examiner—Melody N. Brown

[**] Term: **14 Years**

[57] CLAIM

[21] Appl. No.: **41,395**

The ornamental design for a combined seat post and extension, as shown and described.

[22] Filed: **Jul. 3, 1995**

DESCRIPTION

[52] U.S. Cl. **D12/119**

[58] Field of Search D12/119, 111;
297/195.1; 403/84, 87, 390, 391; 280/281.1,
288.1–288.3, 279

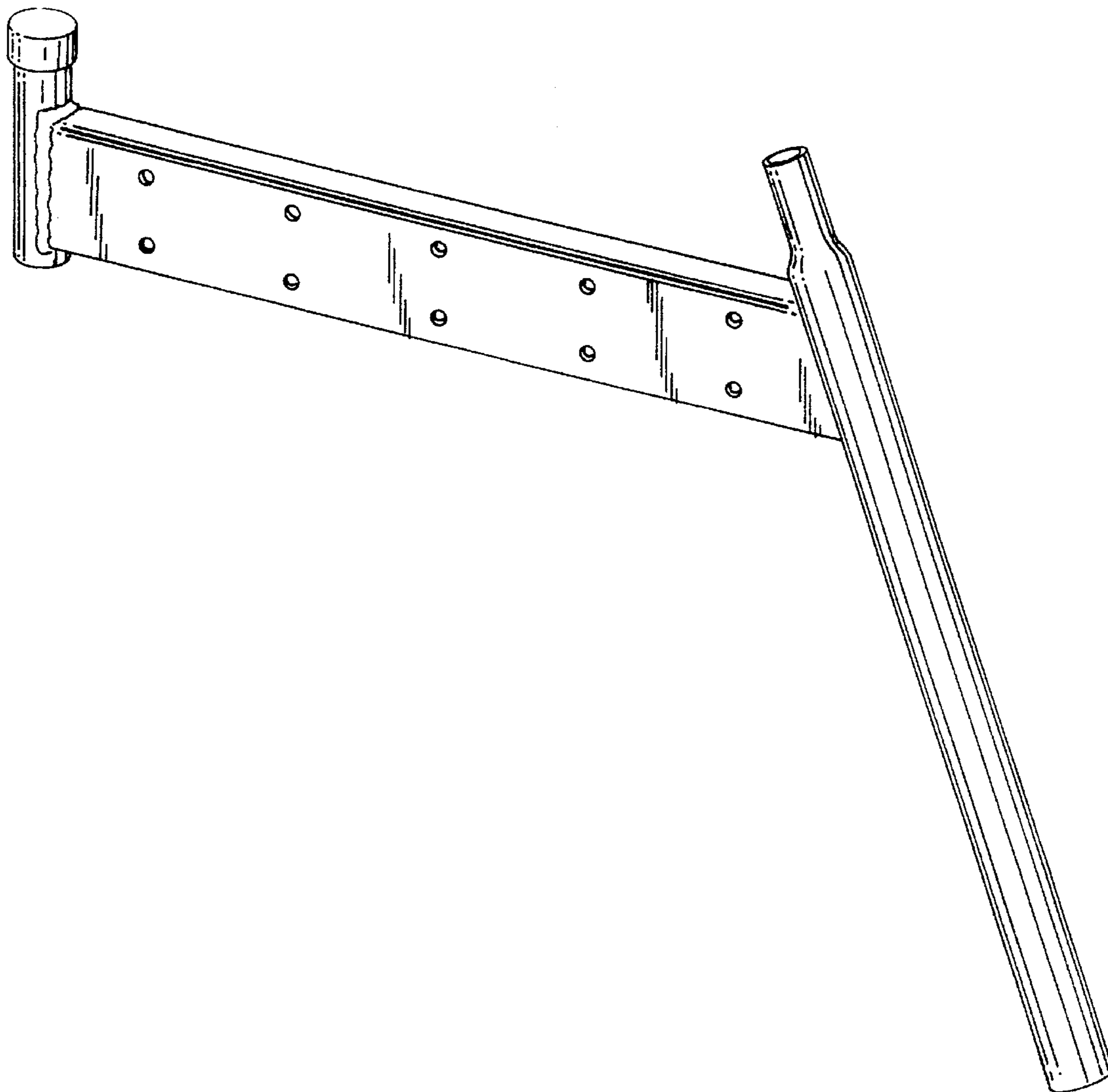
FIG. 1 is a perspective view of the combined seat post and extension of our new design;
FIG. 2 is a side elevational view thereof, the opposite side being a mirror image thereof;
FIG. 3 is a front elevational view thereof;
FIG. 4 is a rear elevational view thereof;
FIG. 5 is a top plan view thereof; and,
FIG. 6 is a bottom plan view thereof.

[56] References Cited

U.S. PATENT DOCUMENTS

D. 22,714	8/1893	Hillman	D12/119
D. 28,581	5/1898	Palmer	D12/119
D. 33,199	9/1900	Spencer	D12/119
D. 287,951	1/1987	Yerkes	D12/119

1 Claim, 4 Drawing Sheets



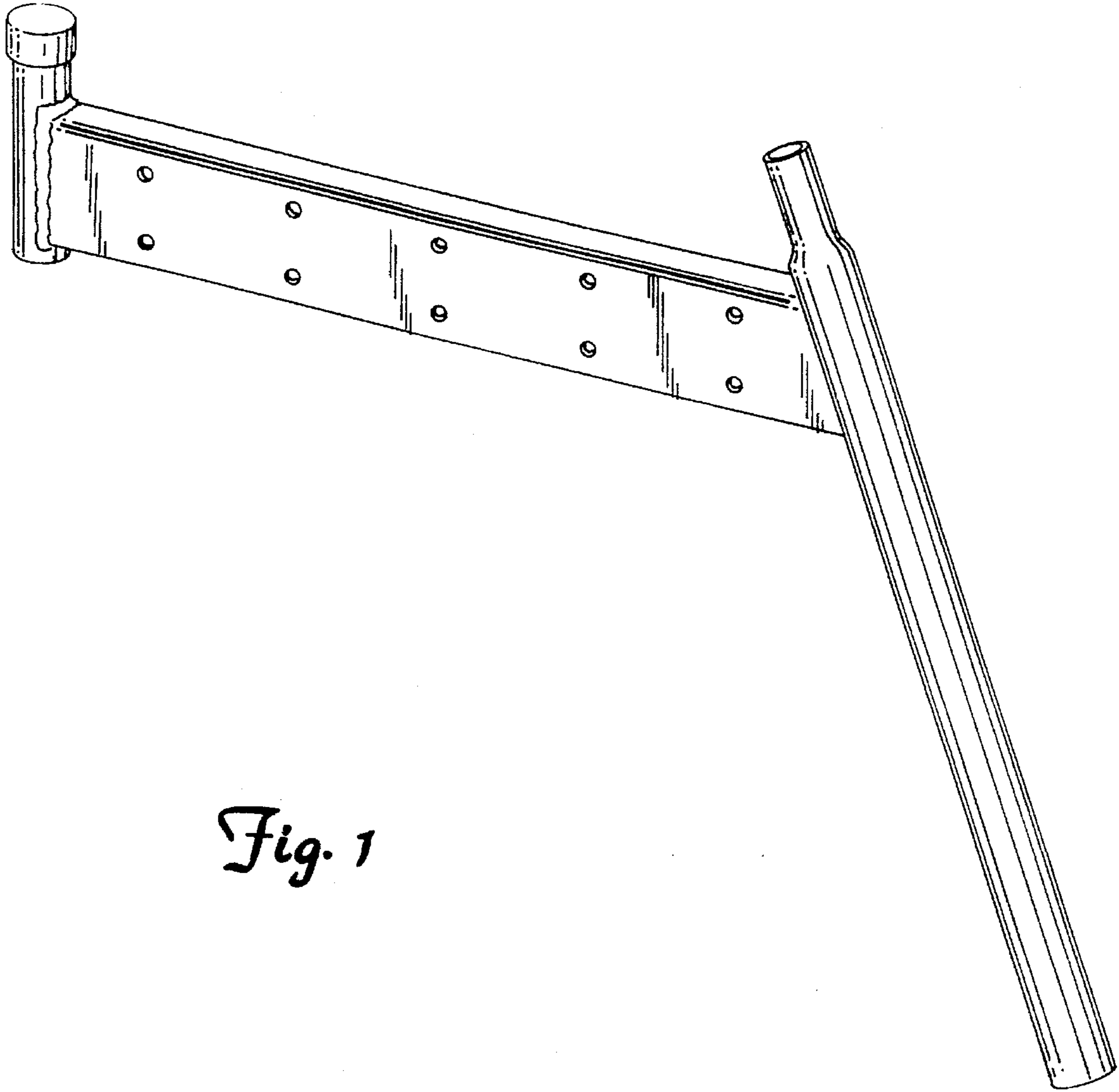


Fig. 1

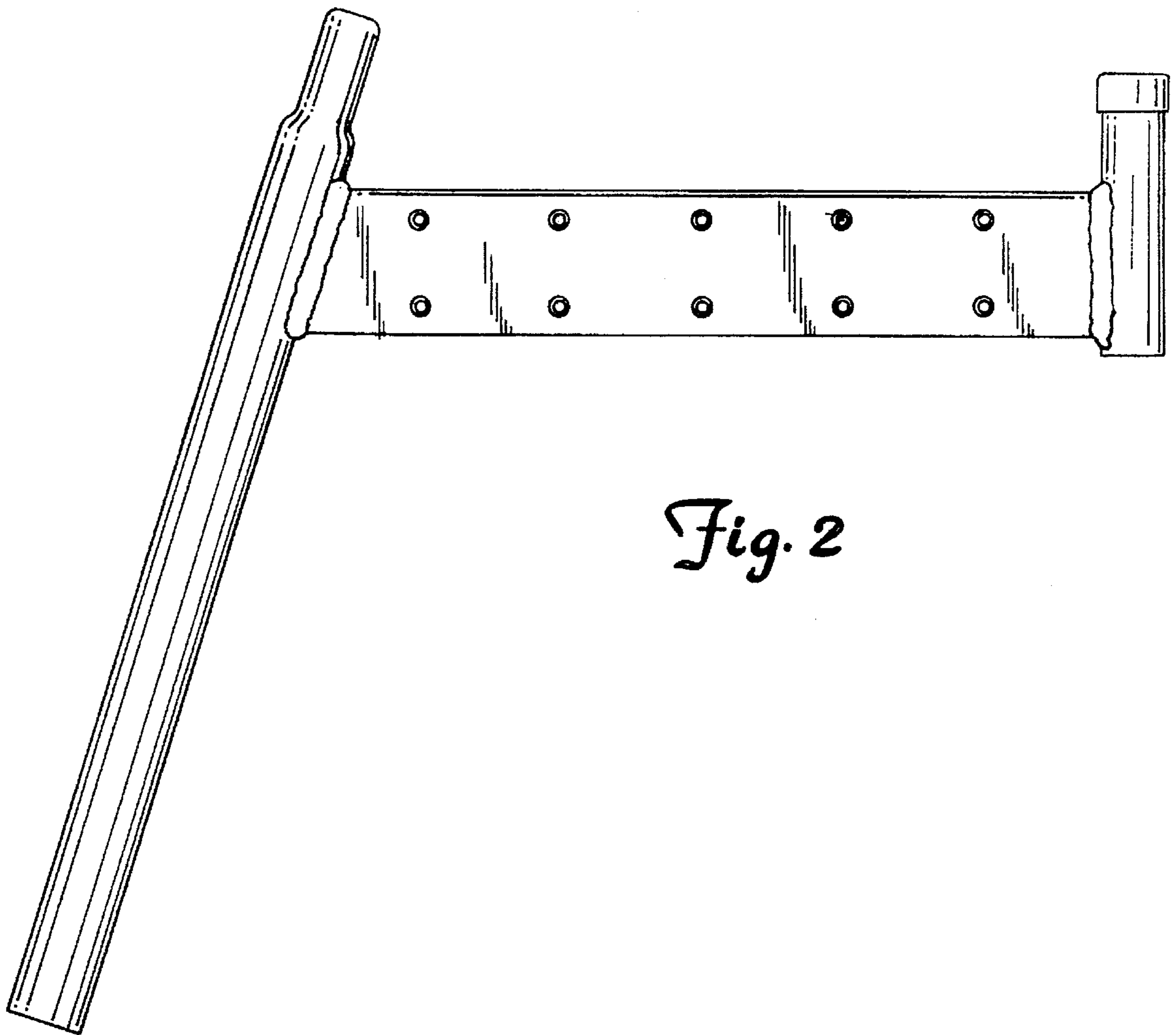


Fig. 2



Fig. 3



Fig. 4

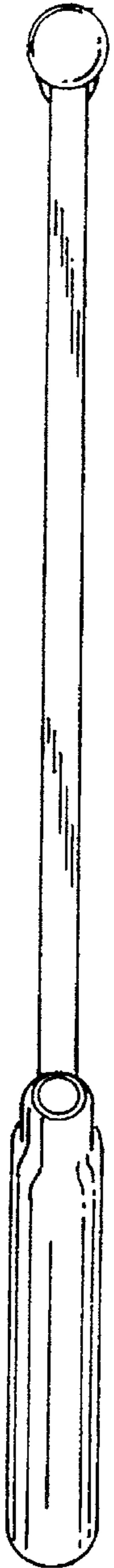


Fig. 5

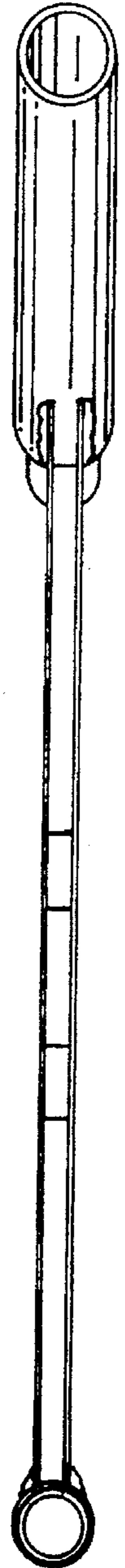


Fig. 6