



US00D378355S

United States Patent [19]

Charriol

[11] Patent Number: **Des. 378,355**

[45] Date of Patent: ****Mar. 11, 1997**

[54] WRISTWATCH CASE

[76] Inventor: **Philippe Charriol**, 66 Black's Link,
Hong Kong, Hong Kong

[**] Term: **14 Years**

[21] Appl. No.: **45,632**

[22] Filed: **Oct. 25, 1995**

[30] Foreign Application Priority Data

May 4, 1995 [WO] WIPO DM/032939

[52] U.S. Cl. **D10/30**; D10/39

[58] Field of Search D10/1-40, 122-132;
368/280-282, 276-277, 285

[56] References Cited

U.S. PATENT DOCUMENTS

D. 266,058	9/1982	Kanoui	D10/39
D. 316,676	5/1991	Houlihan	D10/32
D. 320,751	10/1991	Goto	D10/30 X
D. 346,118	4/1994	Charriol	D10/38 X

OTHER PUBLICATIONS

Swiss Watch Jewelry Journal-Feb. 1985 p. 479-All
Watches.

Primary Examiner-Nelson C. Holtje
Attorney, Agent, or Firm-Darby & Darby, P.C.

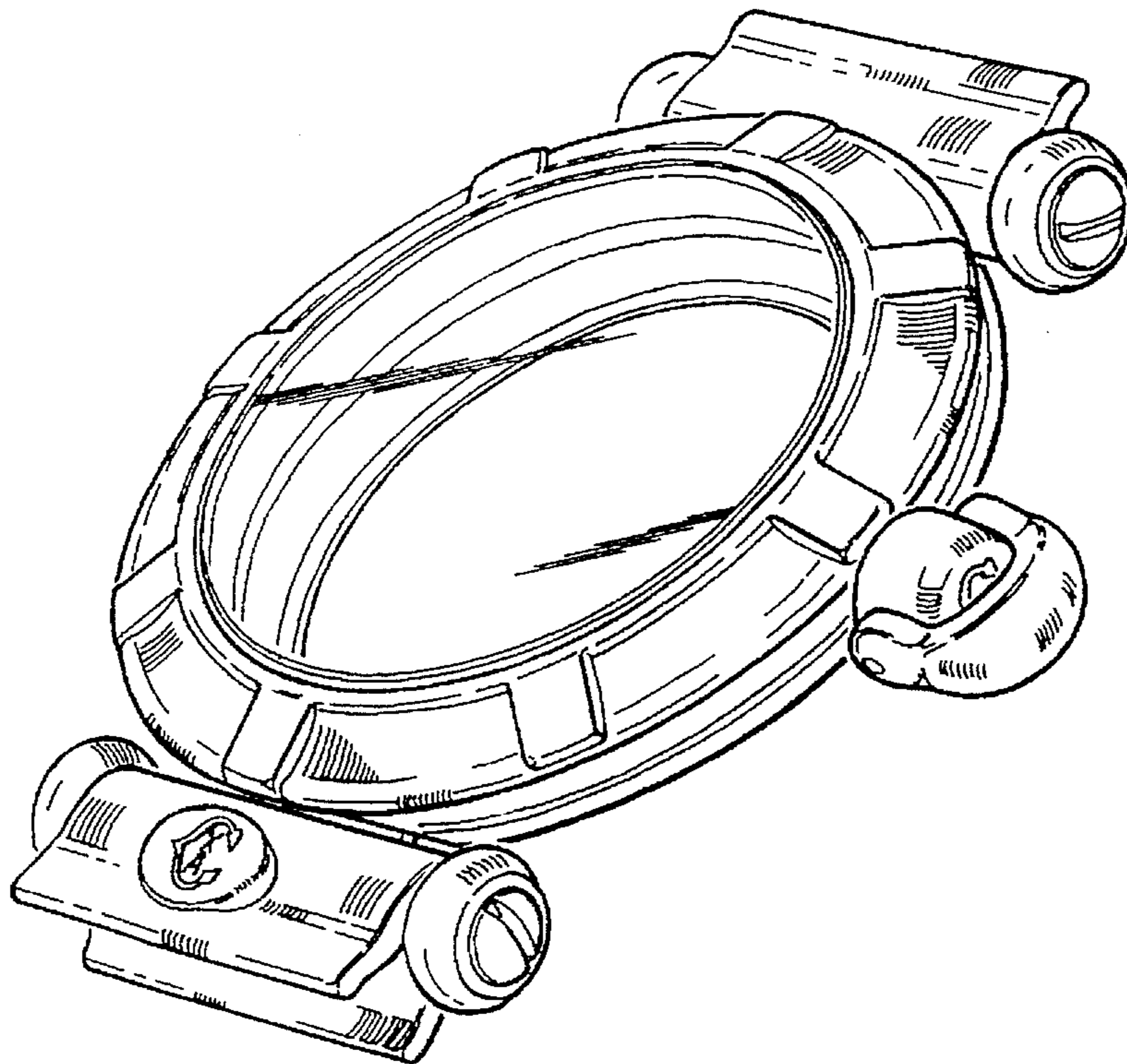
[57] CLAIM

The ornamental design for a wristwatch case, as shown and
described.

DESCRIPTION

FIG. 1 is a front perspective view of the wristwatch case
showing my new design;
FIG. 2 is a top plan view thereof;
FIG. 3 is a bottom plan view thereof;
FIG. 4 is a front elevational view thereof with the ring bow
articulated with the winding-crown in a turned up position;
FIG. 5 is a rear view of the design of FIG. 2;
FIG. 6 is a front view of the design of FIG. 2;
FIG. 7 is a right side view of the design of FIG. 2; and,
FIG. 8 is a left side view of the design of FIG. 2.

1 Claim, 2 Drawing Sheets



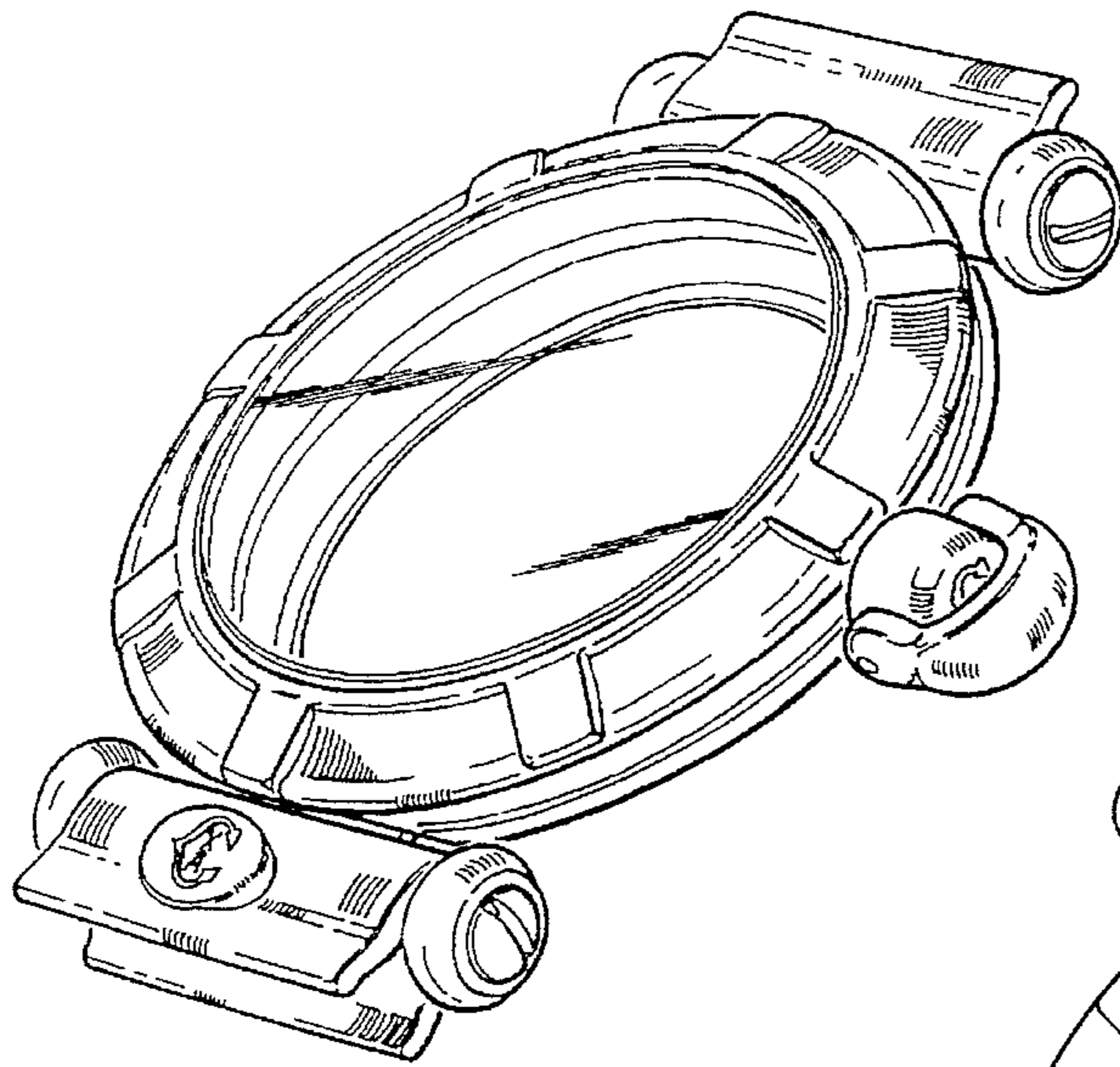


FIG. 1

FIG. 2

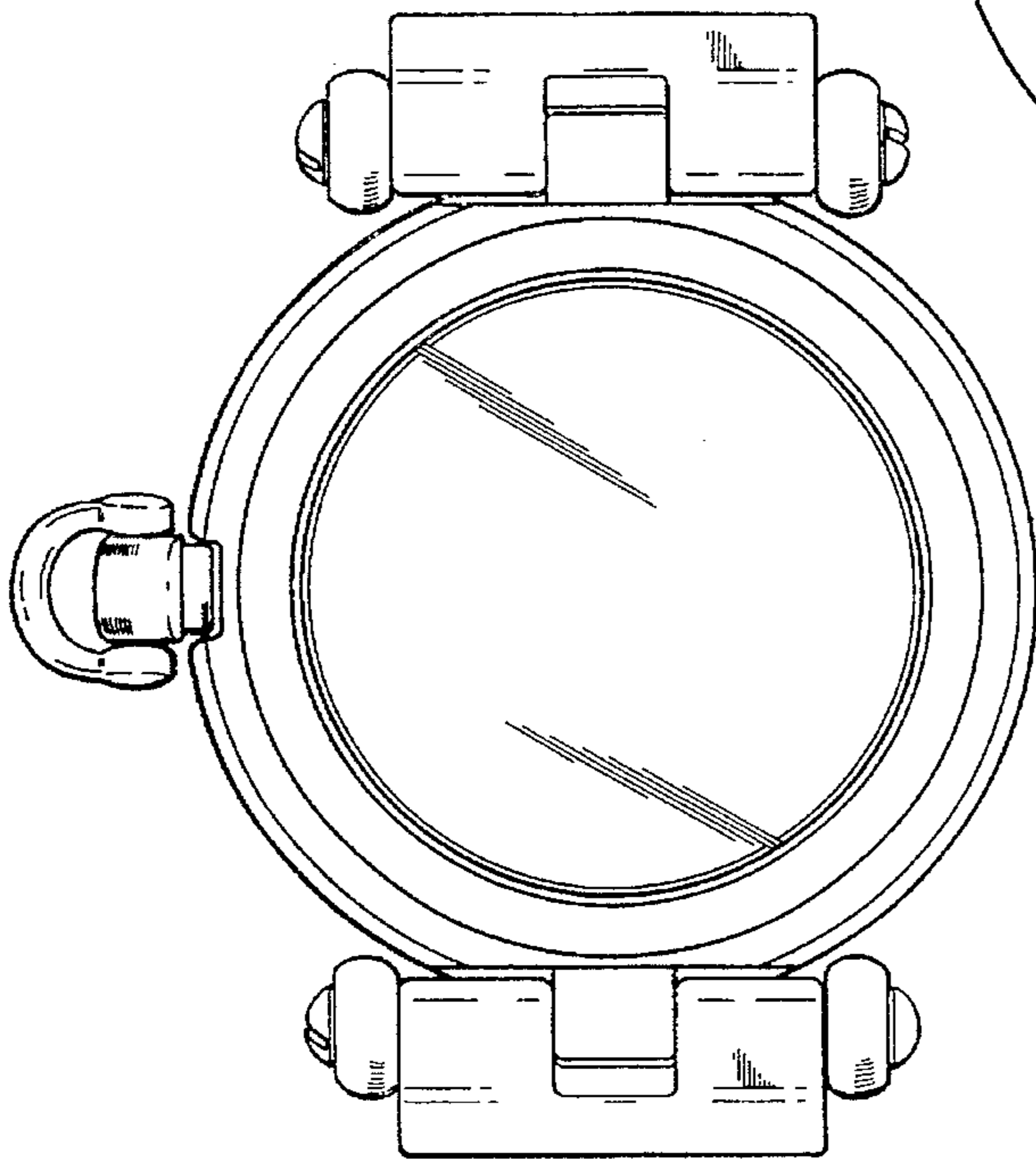
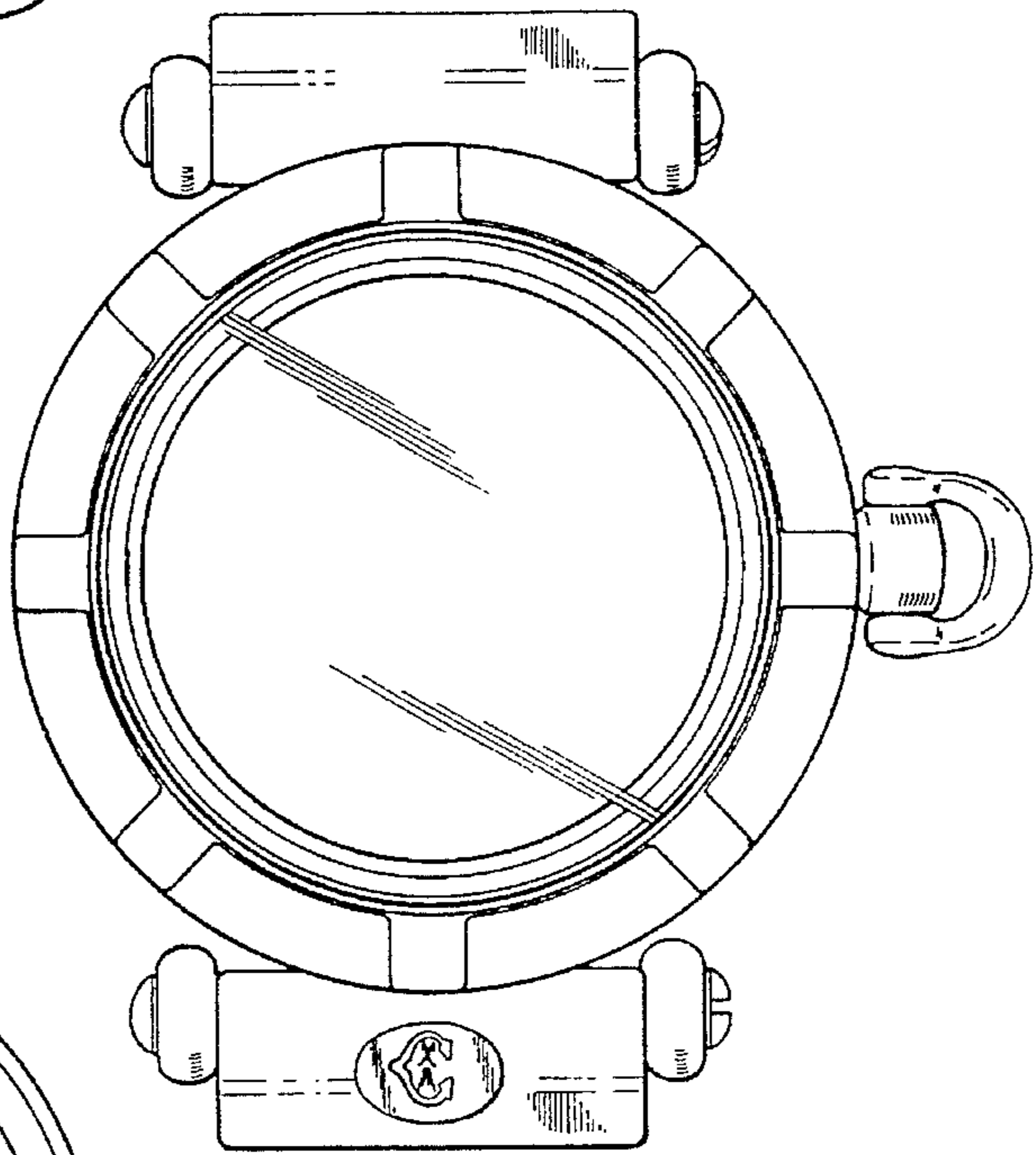
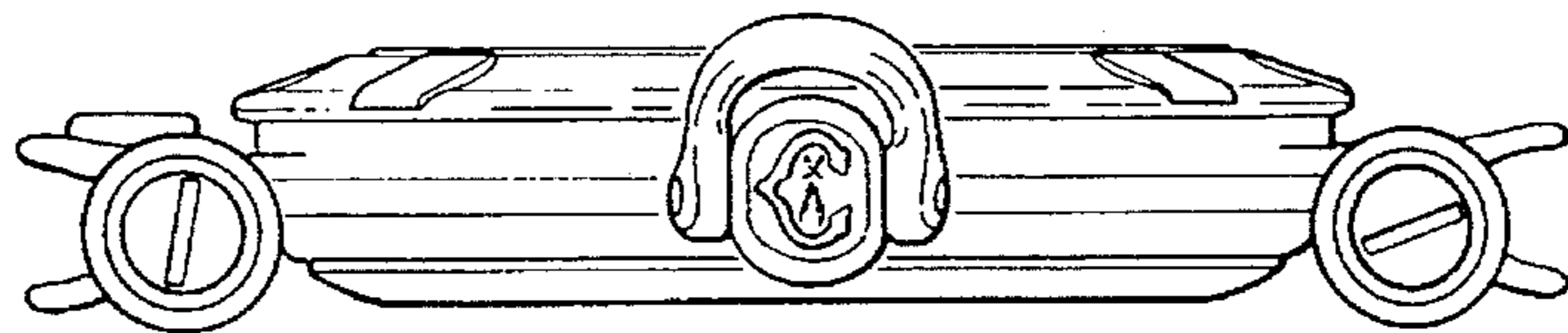


FIG. 3

FIG. 4



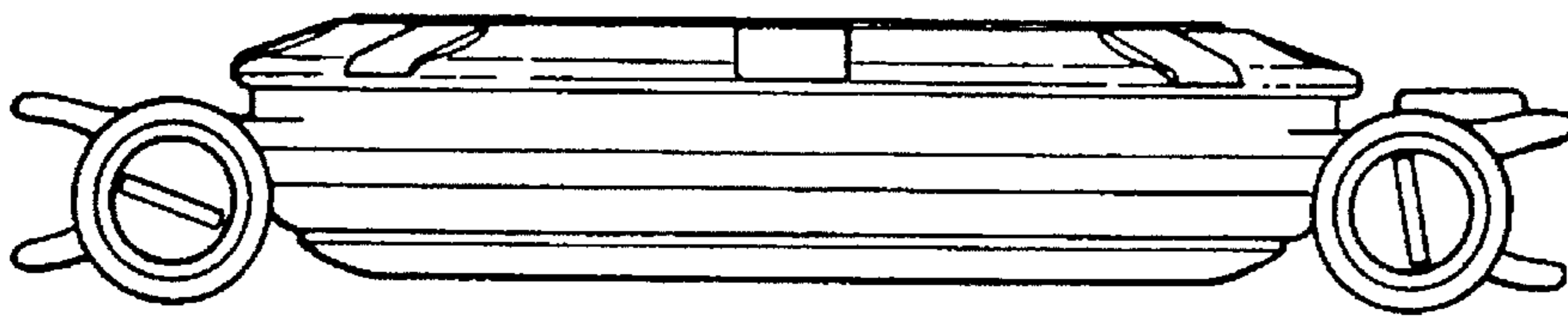


FIG. 5

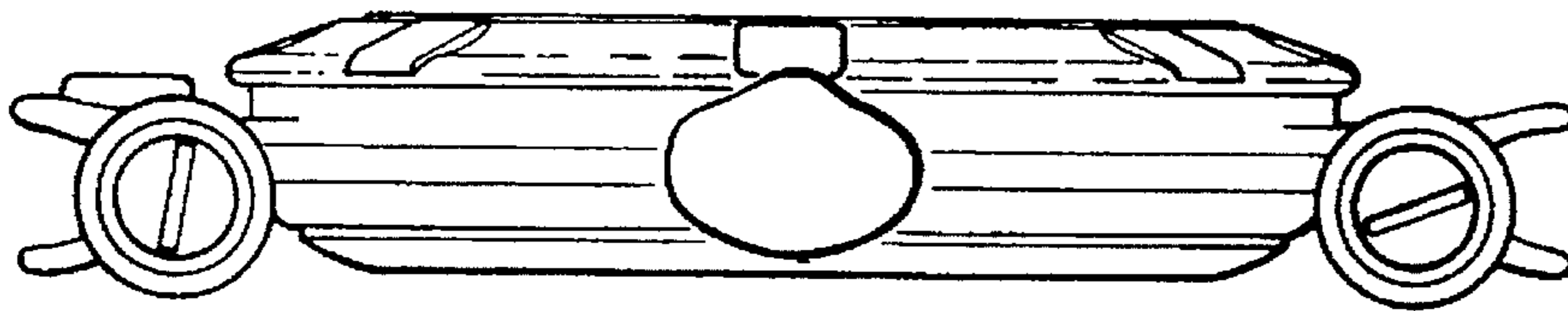


FIG. 6

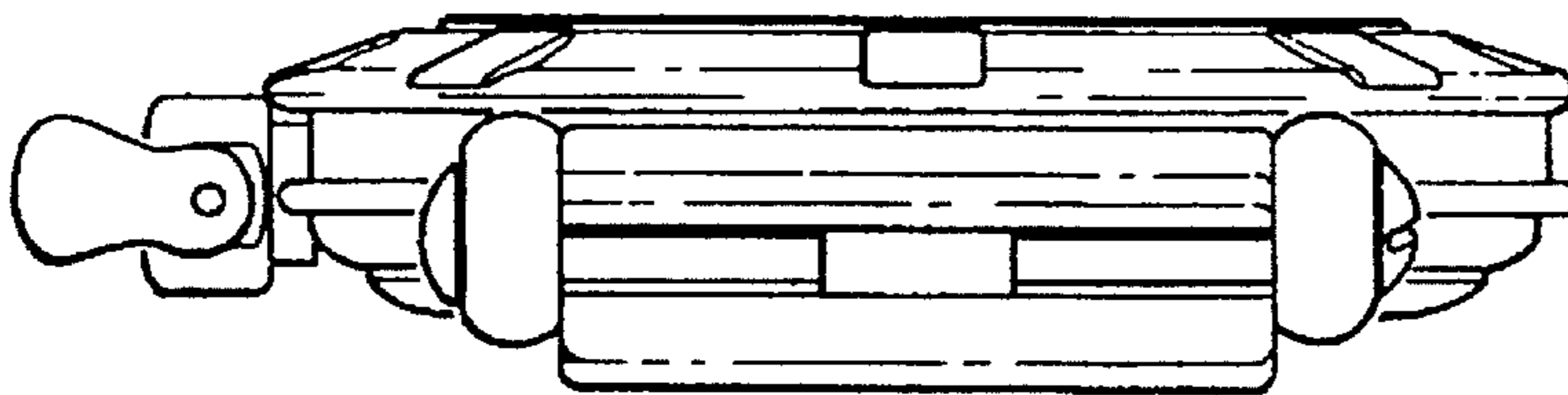


FIG. 7

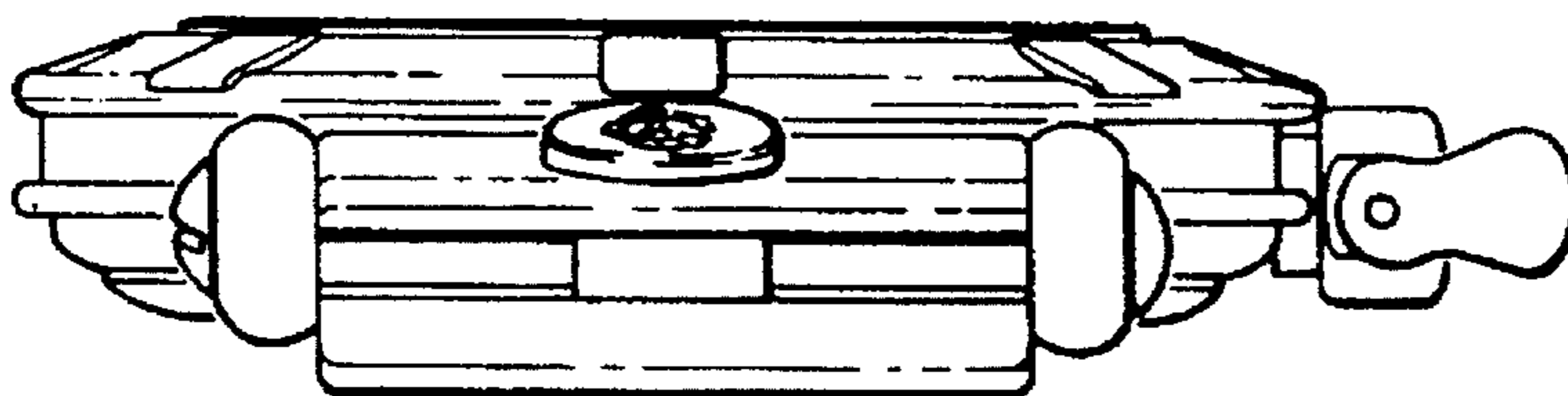


FIG. 8