



US00D378350S

United States Patent [19]

[11] Patent Number: **Des. 378,350**

Halm

[45] Date of Patent: ****Mar. 11, 1997**

[54] **TOOTHPASTE TUBE**

[75] Inventor: **Hans Halm**, Herne, Germany

[73] Assignee: **Lingner + Fischer GmbH**, Baden, Germany

[**] Term: **14 Years**

[21] Appl. No.: **702,677**

[22] Filed: **May 20, 1991**

[30] Foreign Application Priority Data

Nov. 22, 1990 [GB] United Kingdom 2011229

[52] U.S. Cl. **D9/302**

[58] Field of Search D9/302, 306, 435, D9/436, 442, 529, 560; D6/541; D7/616; 222/92, 107; 229/213

[56] References Cited

U.S. PATENT DOCUMENTS

D. 242,022 10/1976 Bish D9/432
1,931,079 10/1933 Mitchell D9/529 X
4,265,748 5/1981 Hayes et al. 222/92

FOREIGN PATENT DOCUMENTS

2190658 11/1987 United Kingdom 229/214

Primary Examiner—Ted Shooman

Assistant Examiner—Mitchell I. Siegel

Attorney, Agent, or Firm—Stuart R. Suter; Edward T. Lentz

[57] CLAIM

The ornamental design for a toothpaste tube, as shown and described.

DESCRIPTION

FIG. 1 is a top front perspective view of a toothpaste tube showing my new design;

FIG. 2 is a front elevational view thereof; undisclosed rear elevation being a mirror image;

FIG. 3 is a top plan view thereof; undisclosed bottom plan view being a mirror image;

FIG. 4 is a left side elevational view thereof;

FIG. 5 is a right side elevational view thereof;

FIG. 6 is a top front perspective view of a second embodiment of the toothpaste tube illustrated in FIG. 1, clearly shown without the end flap;

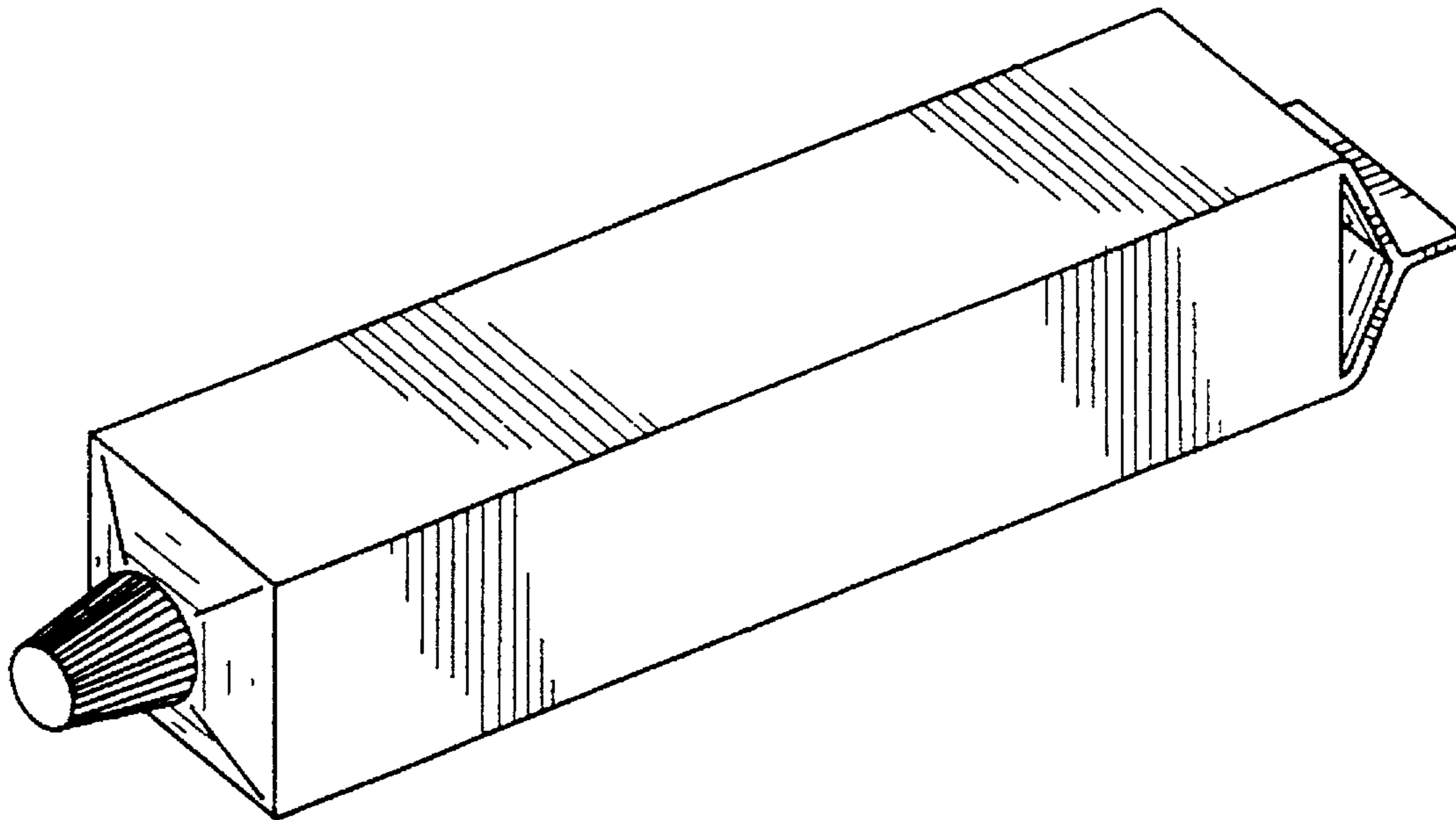
FIG. 7 is a front elevational view thereof; undisclosed rear elevation being a mirror image;

FIG. 8 is a top plan view thereof; undisclosed bottom plan view being a mirror image;

FIG. 9 is a left side elevational view thereof; and,

FIG. 10 is a right side elevational view thereof.

1 Claim, 2 Drawing Sheets



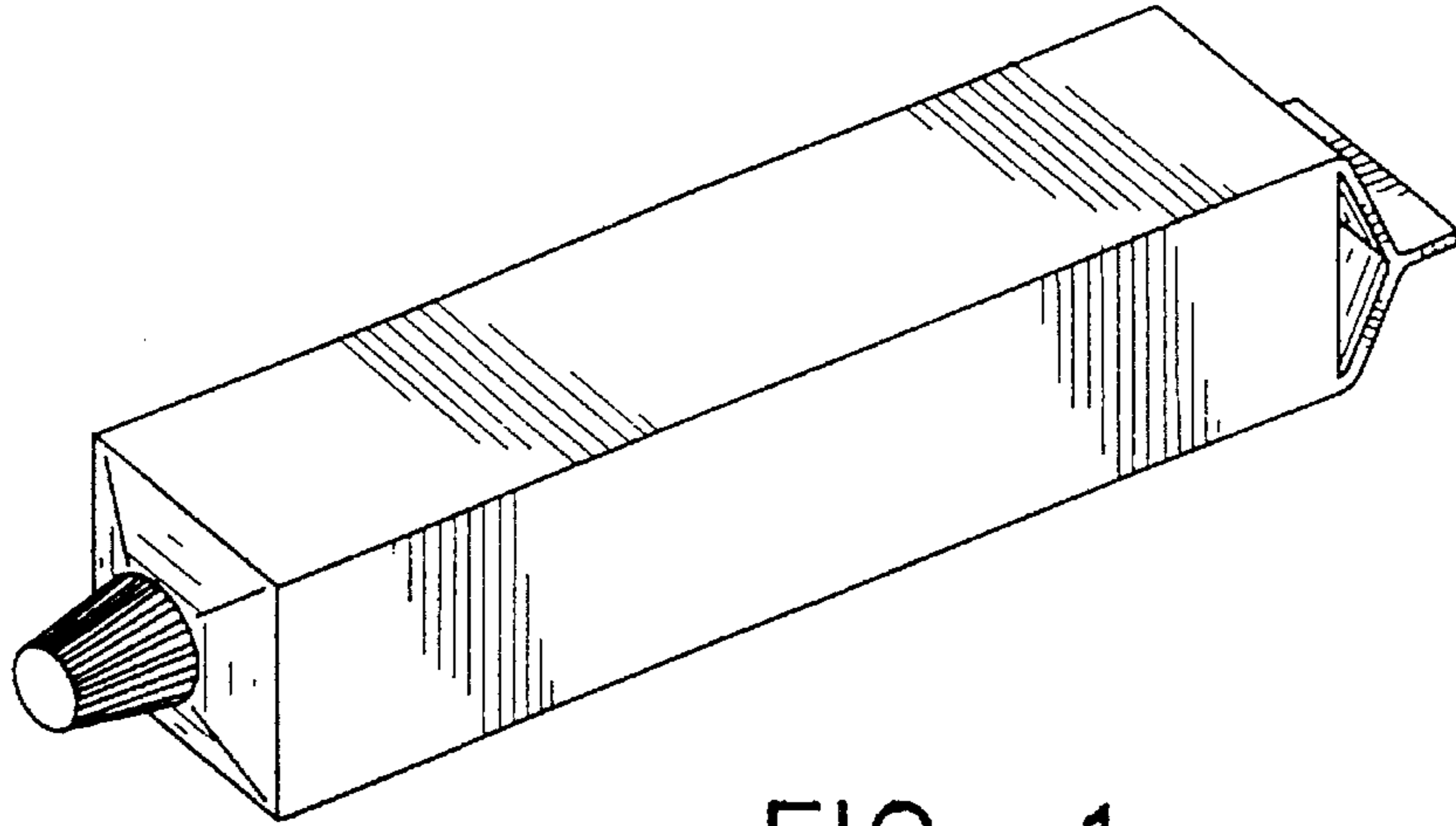


FIG. 1

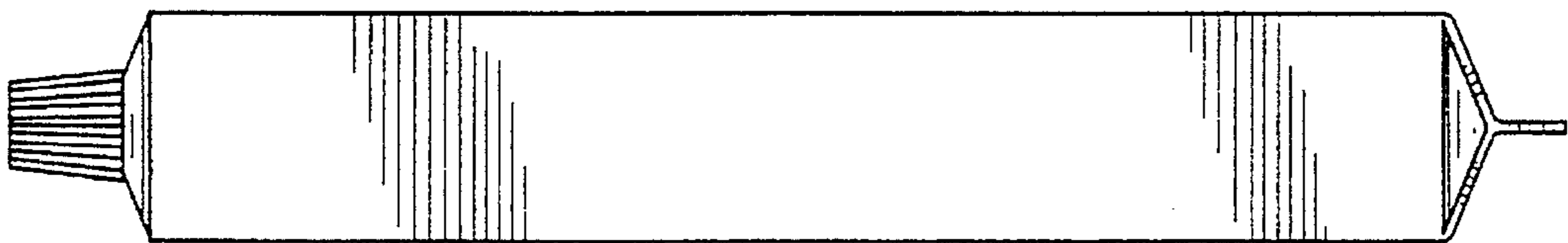


FIG. 2

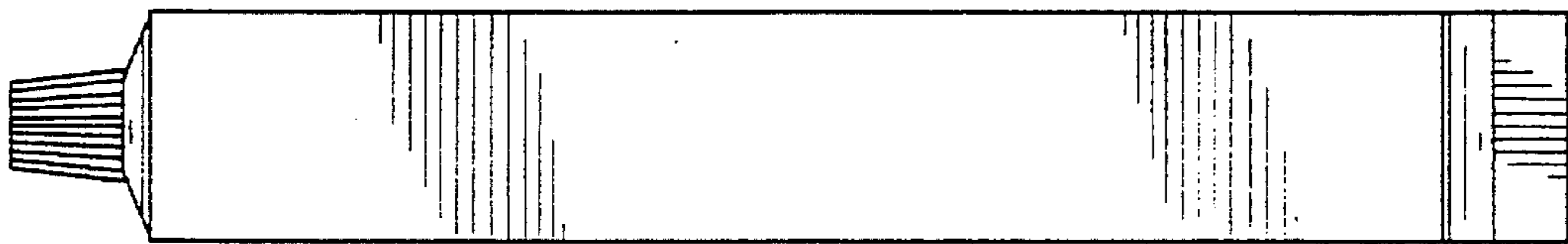


FIG. 3

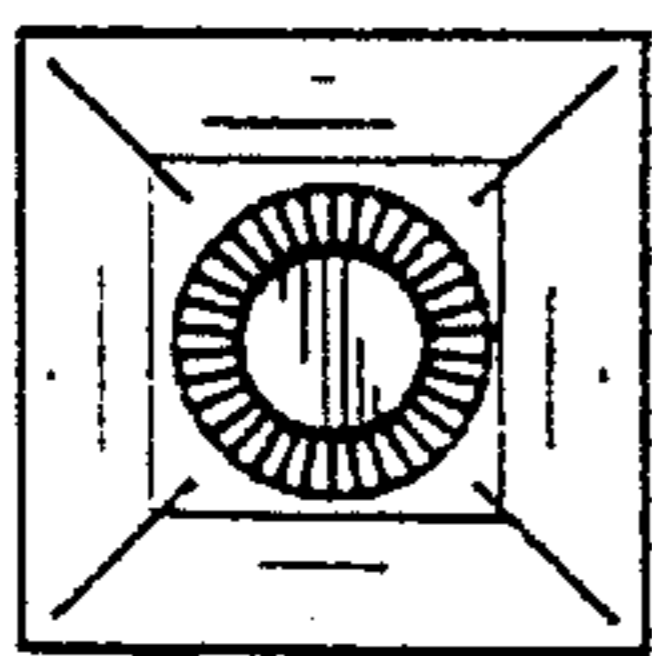


FIG. 4

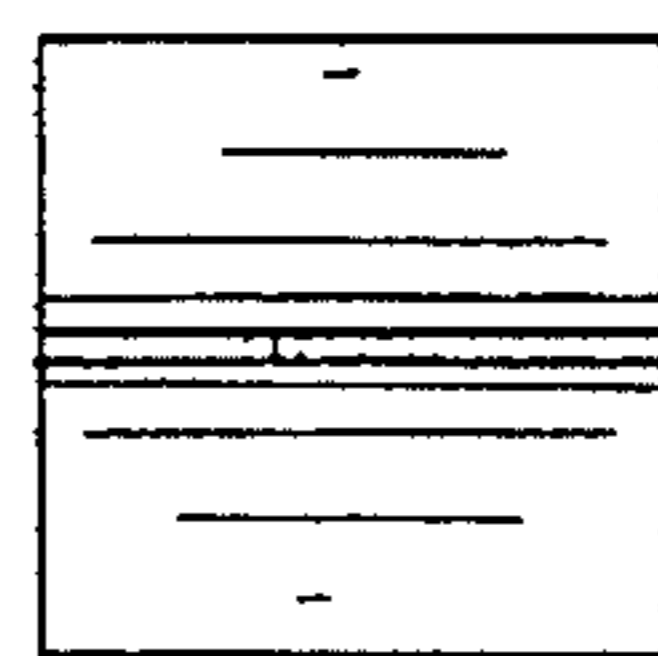


FIG. 5

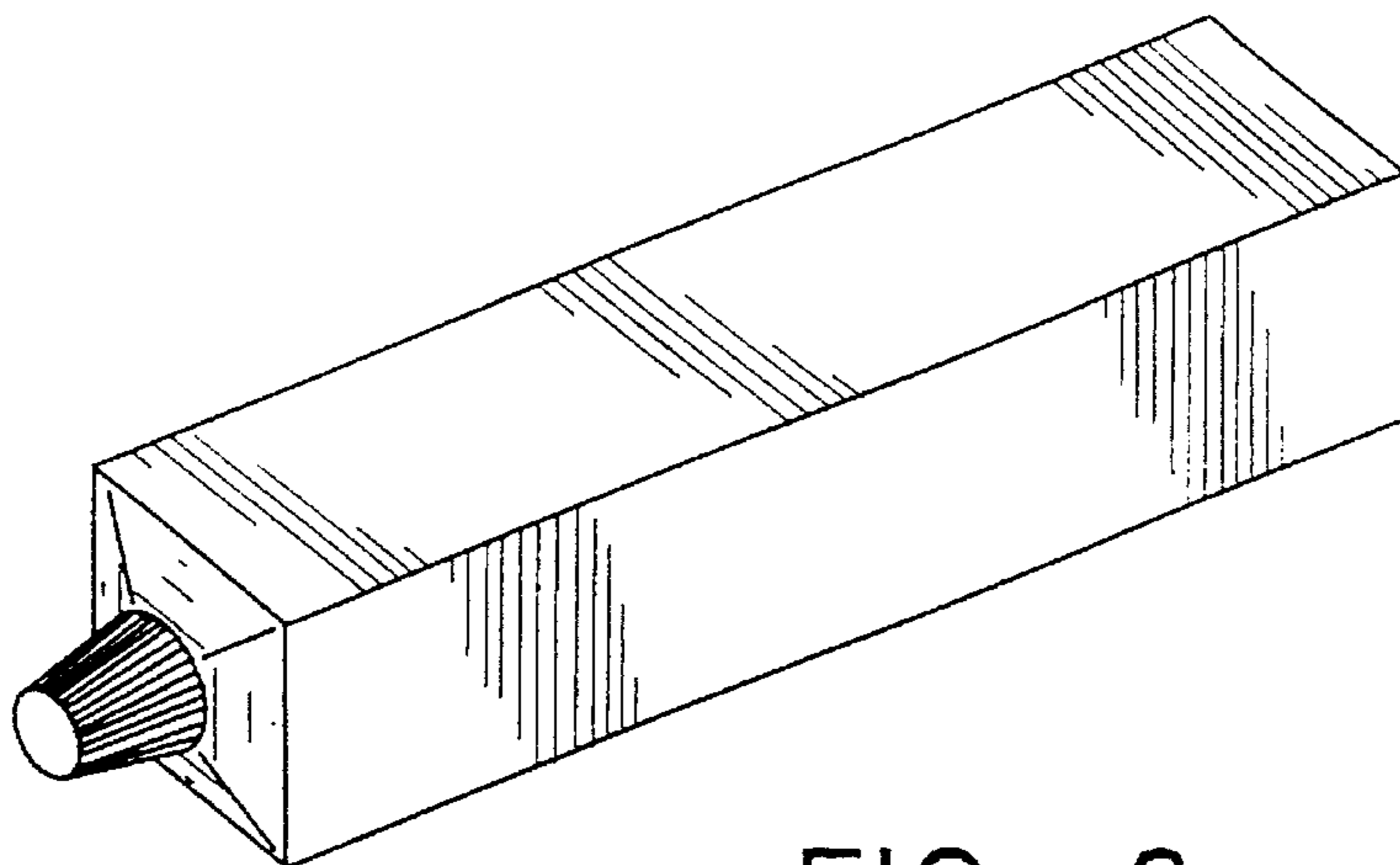


FIG. 6

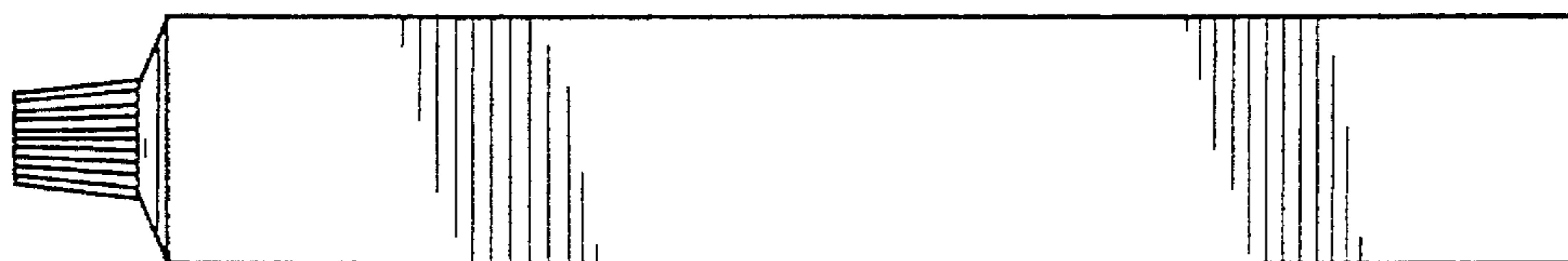


FIG. 7

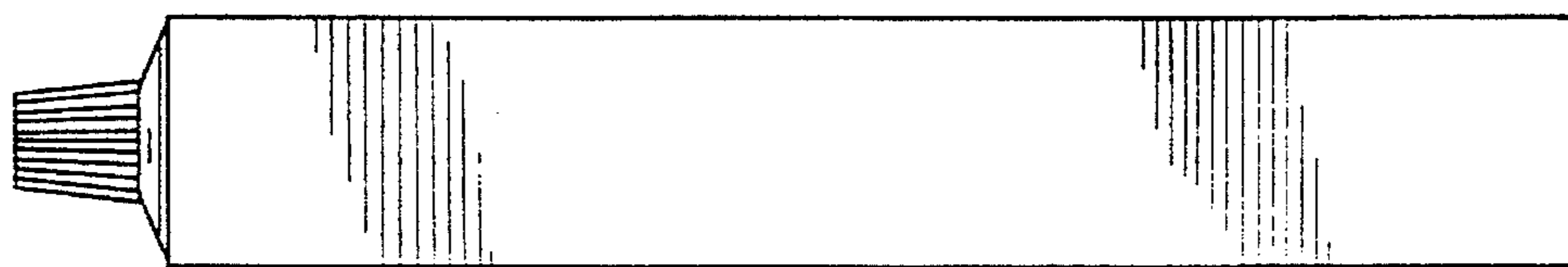


FIG. 8

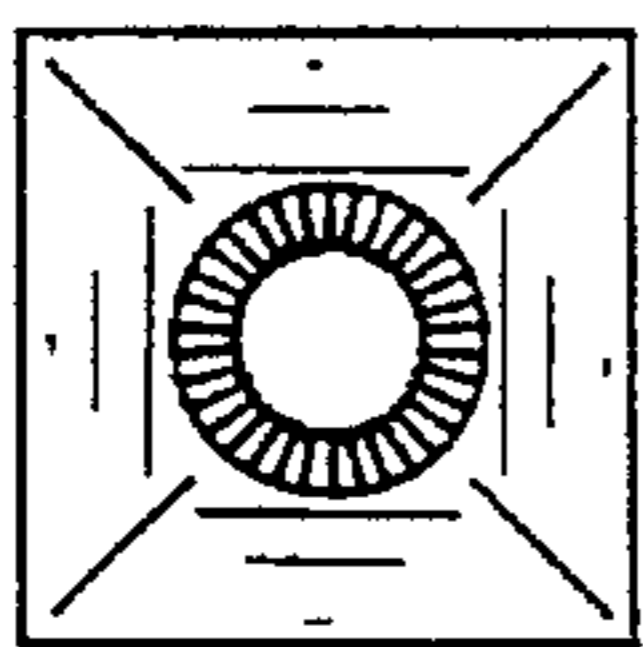


FIG. 9



FIG. 10