



US00D378349S

United States Patent [19]

[11] Patent Number: **Des. 378,349**

Saito et al.

[45] Date of Patent: ****Mar. 11, 1997**

[54] **PANEL FASTENER**

Attorney, Agent, or Firm—Oblon, Spivak, McClelland, Maier & Neustadt, P.C.

[75] Inventors: **Kazuo Saito**, Yokohama; **Masaharu Shibao**, Matsudo, both of Japan

[57] **CLAIM**

[73] Assignee: **Nifco Inc.**, Yokohama, Japan

The ornamental design for a panel fastener, as shown and described.

[**] Term: **14 Years**

DESCRIPTION

[21] Appl. No.: **42,315**

FIG. 1 is a top and right front perspective view of a panel fastener, showing my new design;

[22] Filed: **Aug. 7, 1995**

FIG. 2 is a front elevational view thereof;

[30] **Foreign Application Priority Data**

FIG. 3 is a right side elevational view thereof;

Feb. 8, 1995 [JP] Japan 7-2885

FIG. 4 is a top plan view thereof;

[52] **U.S. Cl.** **D8/382**

FIG. 5 is a bottom plan view thereof;

[58] **Field of Search** D8/382, 388, 393, D8/390, 391; 24/293, 297, 301, 662; 411/500, 501; 248/74.3

FIG. 6 is a sectional view thereof, taken along line 6—6 in FIG. 2;

FIG. 7 is a sectional view thereof, taken along line 7—7 in FIG. 3;

[56] **References Cited**

U.S. PATENT DOCUMENTS

D. 293,882	1/1988	Takahashi	D8/388 X
2,983,008	5/1961	Von Rath	24/297
3,093,874	6/1963	Rapata	D8/391 X
3,249,973	5/1966	Seckerson	24/297 X
4,363,160	12/1982	Wibrow	24/297
4,715,095	12/1987	Takahashi	24/297 X
4,861,208	8/1989	Boundy	24/297 X
4,987,656	1/1991	Sato	24/297
5,046,223	9/1991	Kraus	24/297 X
5,301,396	4/1994	Benoit	24/297 X
5,319,839	6/1994	Shimajiri	24/297 X

FIG. 8 is a sectional view thereof, taken along line 8—8 in FIG. 3;

FIG. 9 is a sectional view thereof, taken along line 9—9 in FIG. 3;

FIG. 10 is a sectional view thereof, taken along line 10—10 in FIG. 3; and,

FIG. 11 is a front elevational view thereof in the state of use.

The rear elevational view and the left side elevational view appear to be identical with the front elevational view and the right side elevational view, respectively.

The broken line showing of the panels in FIG. 11 is for illustrative purposes only and forms no part of the claimed design.

Primary Examiner—Paula A. Mortimer

1 Claim, 4 Drawing Sheets

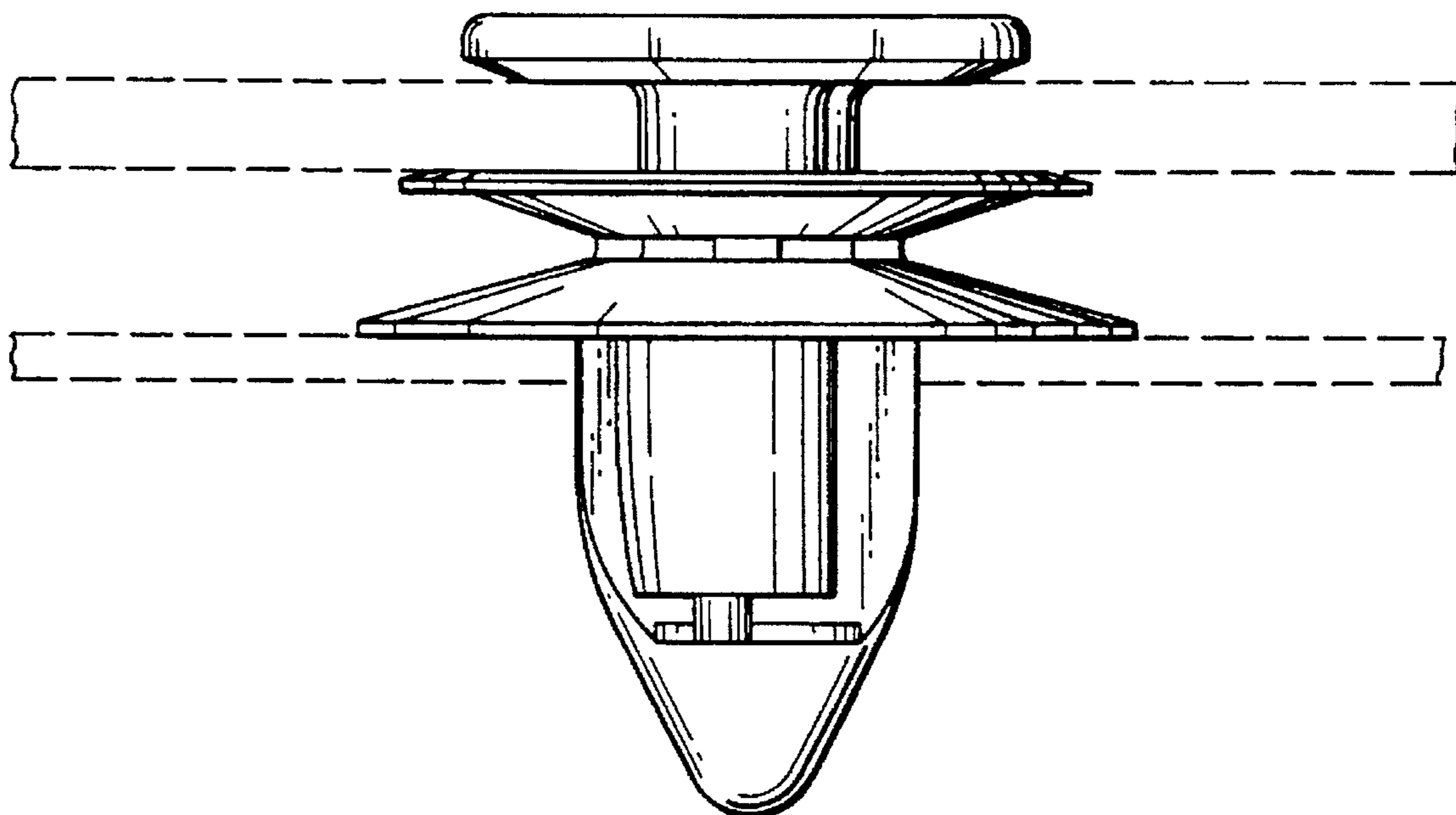


FIG. 1

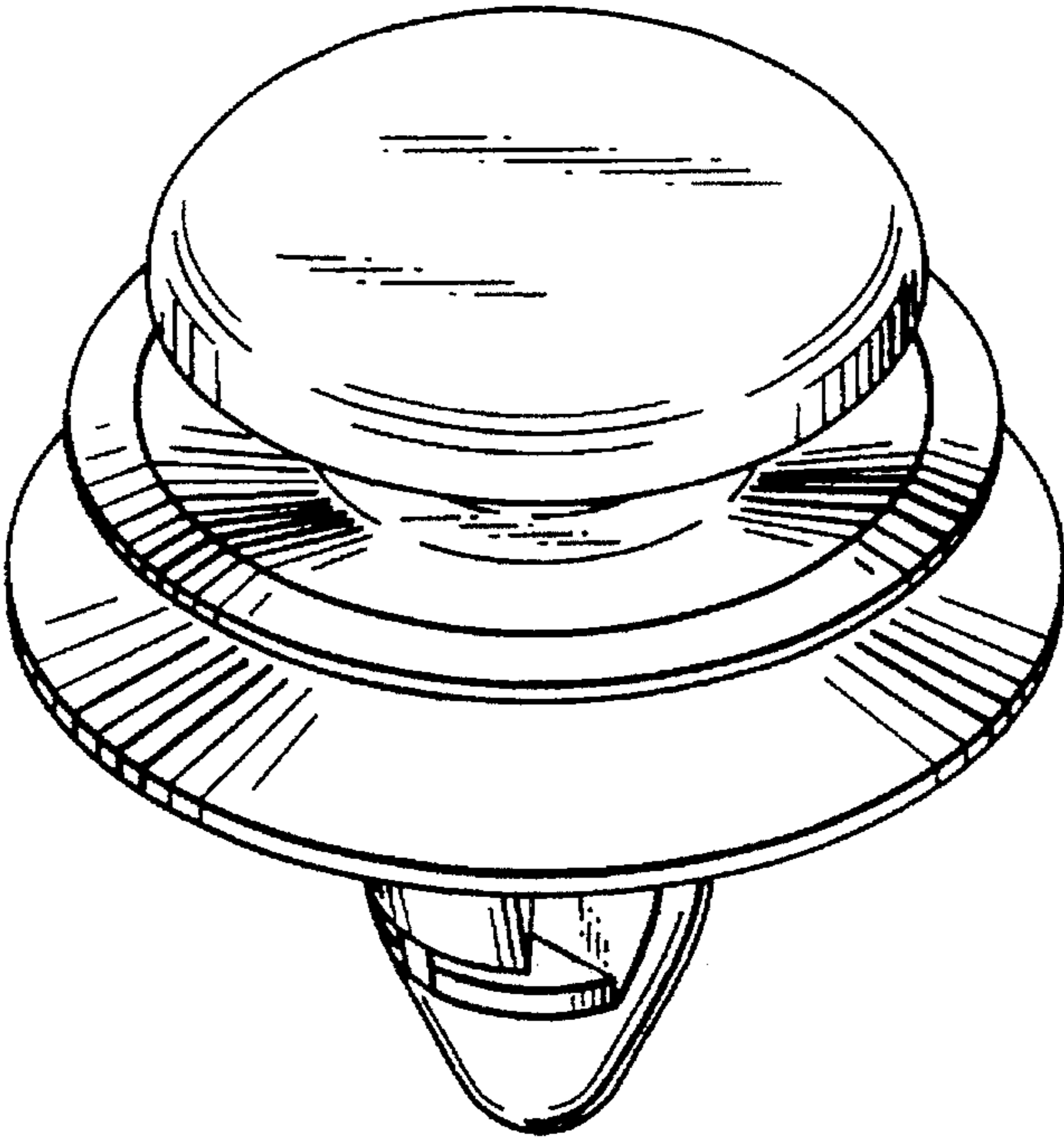


FIG. 2

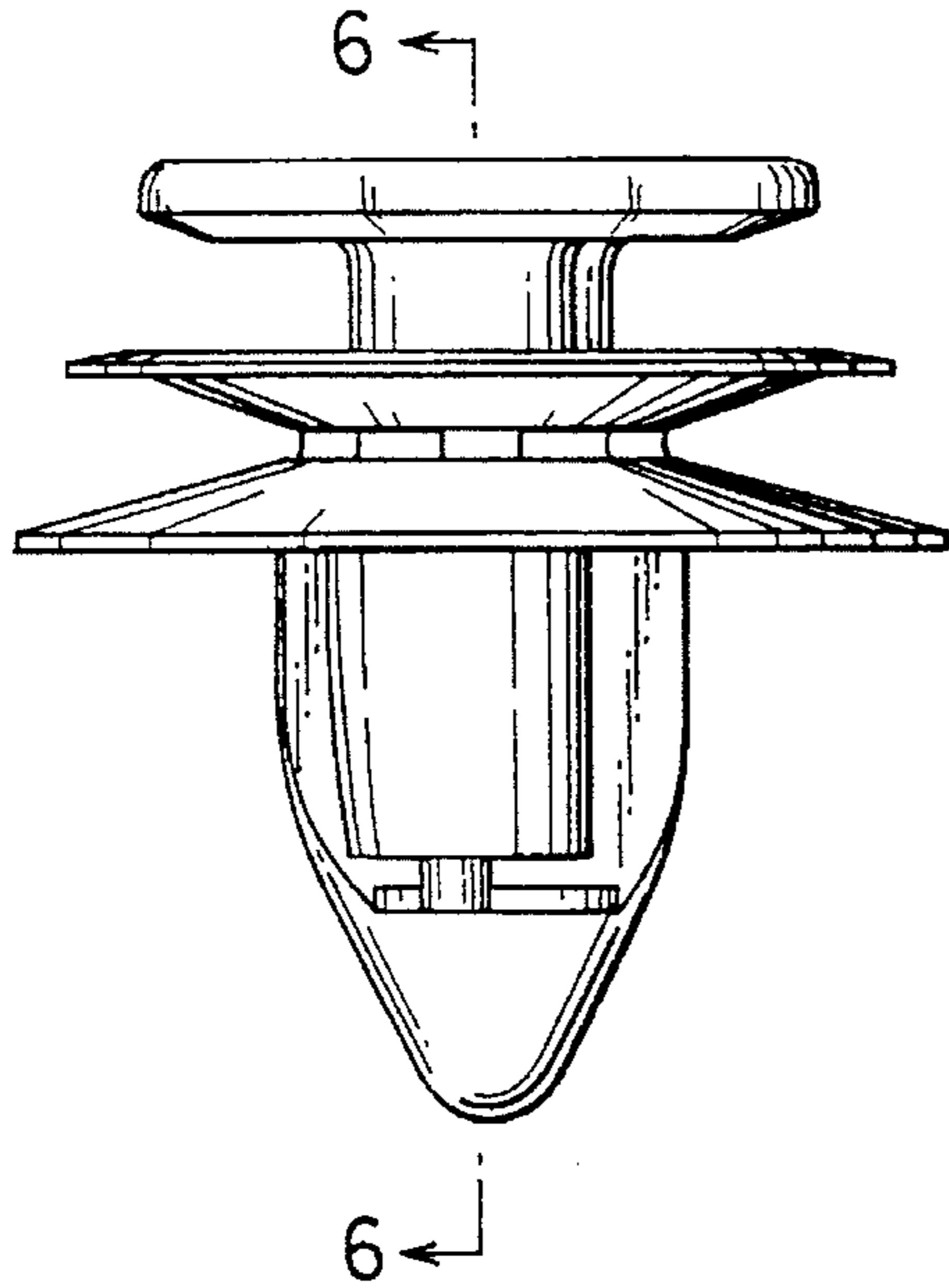


FIG. 3

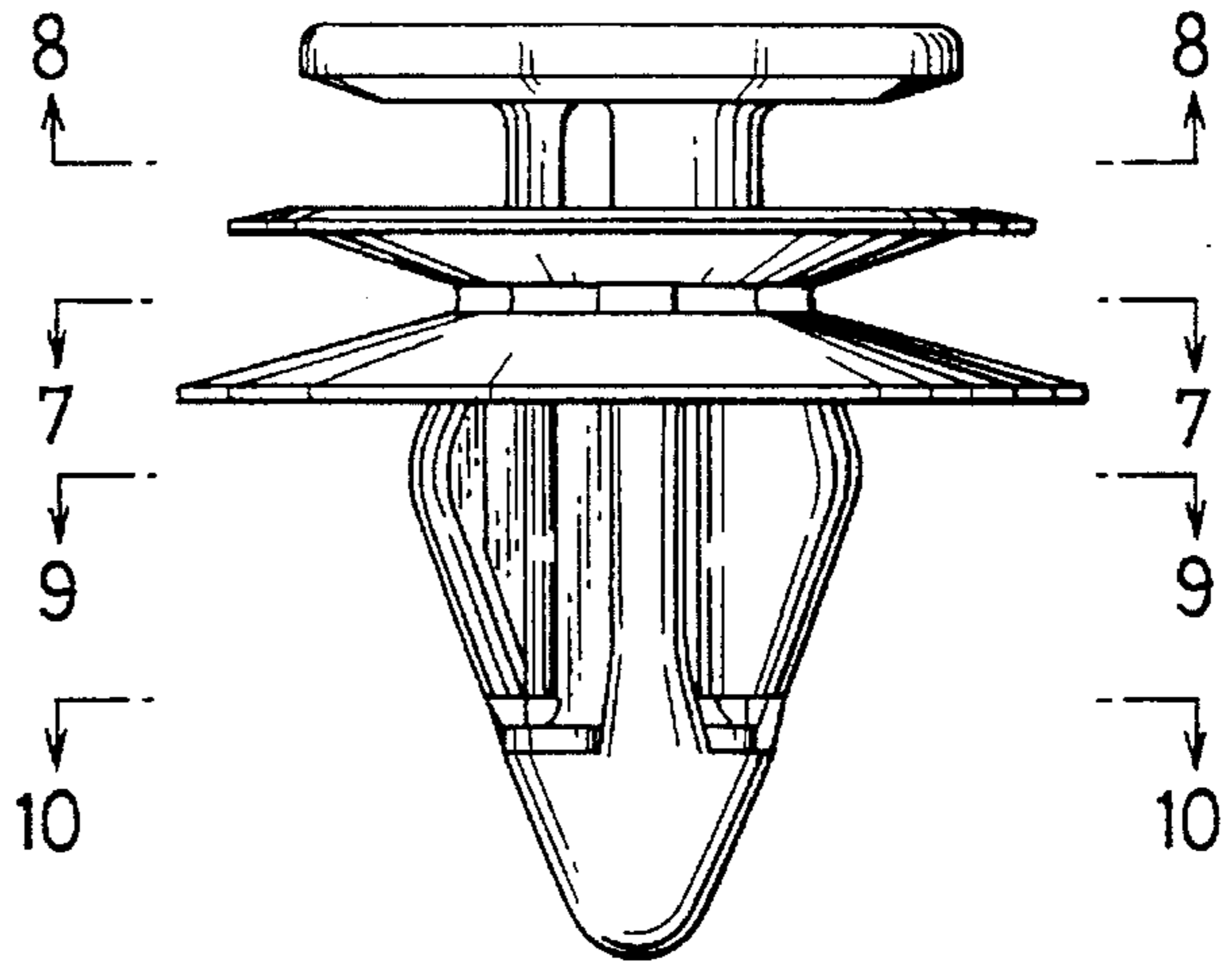


FIG. 4

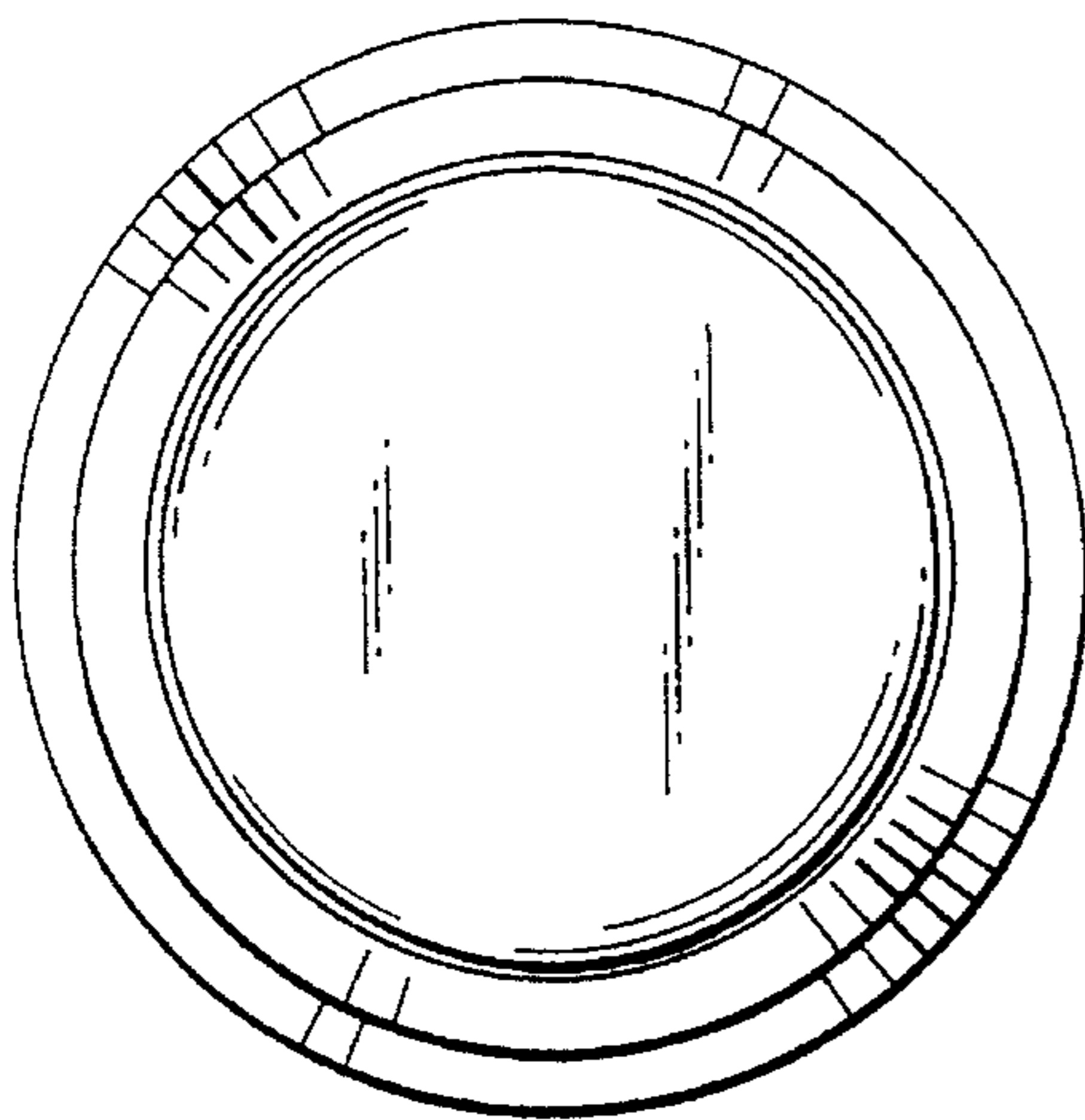


FIG. 5

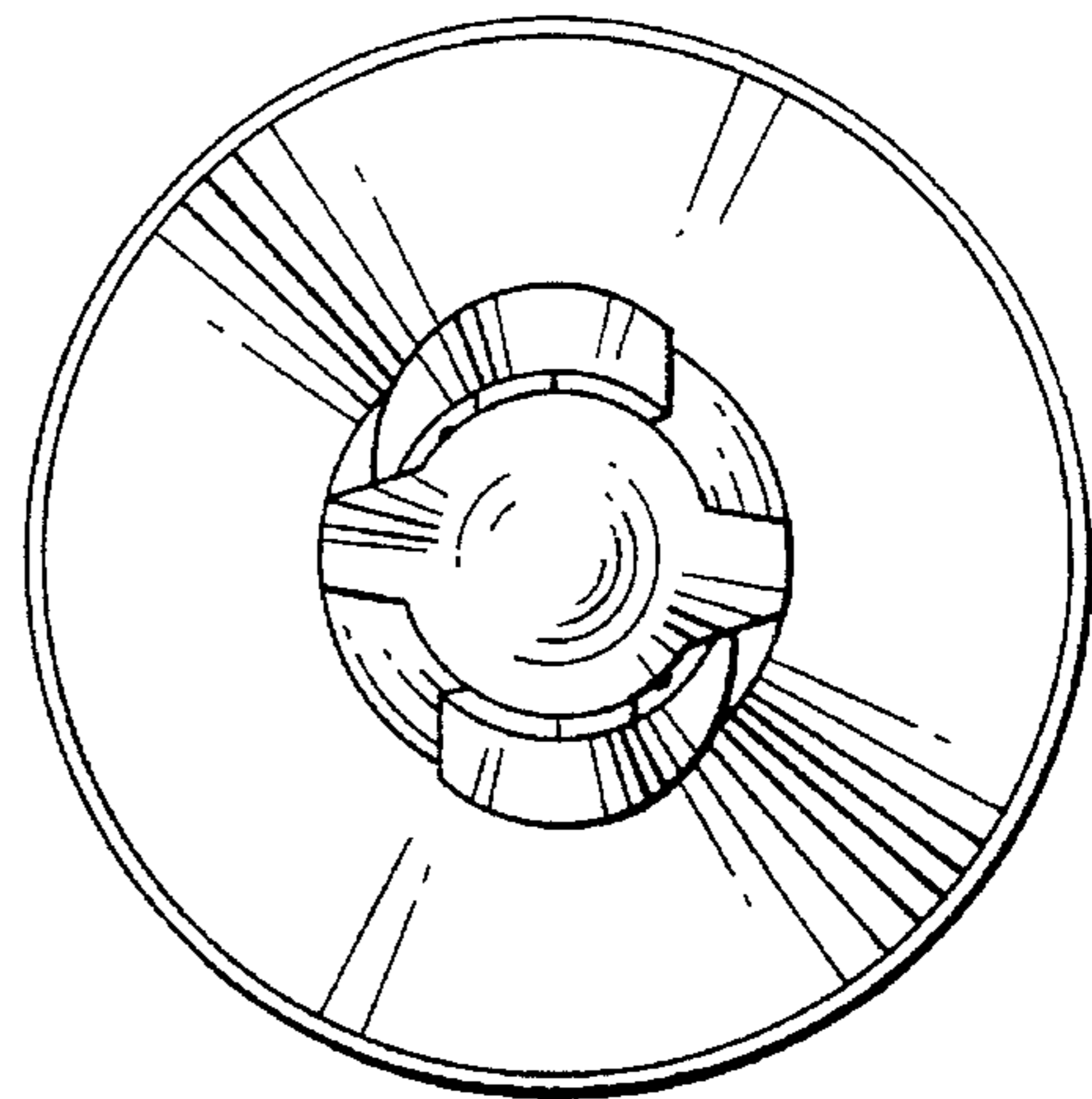


FIG. 6

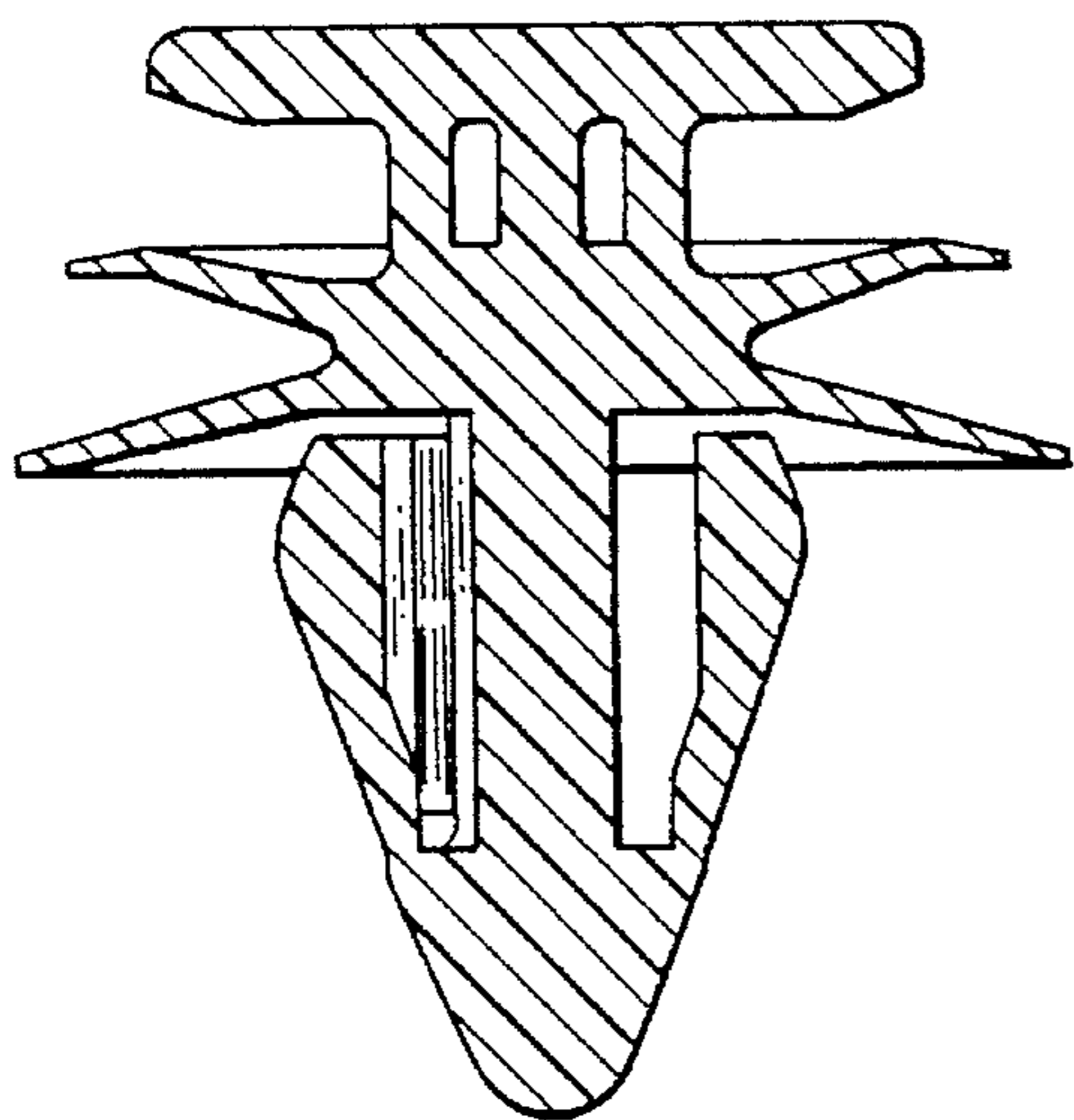


FIG. 7

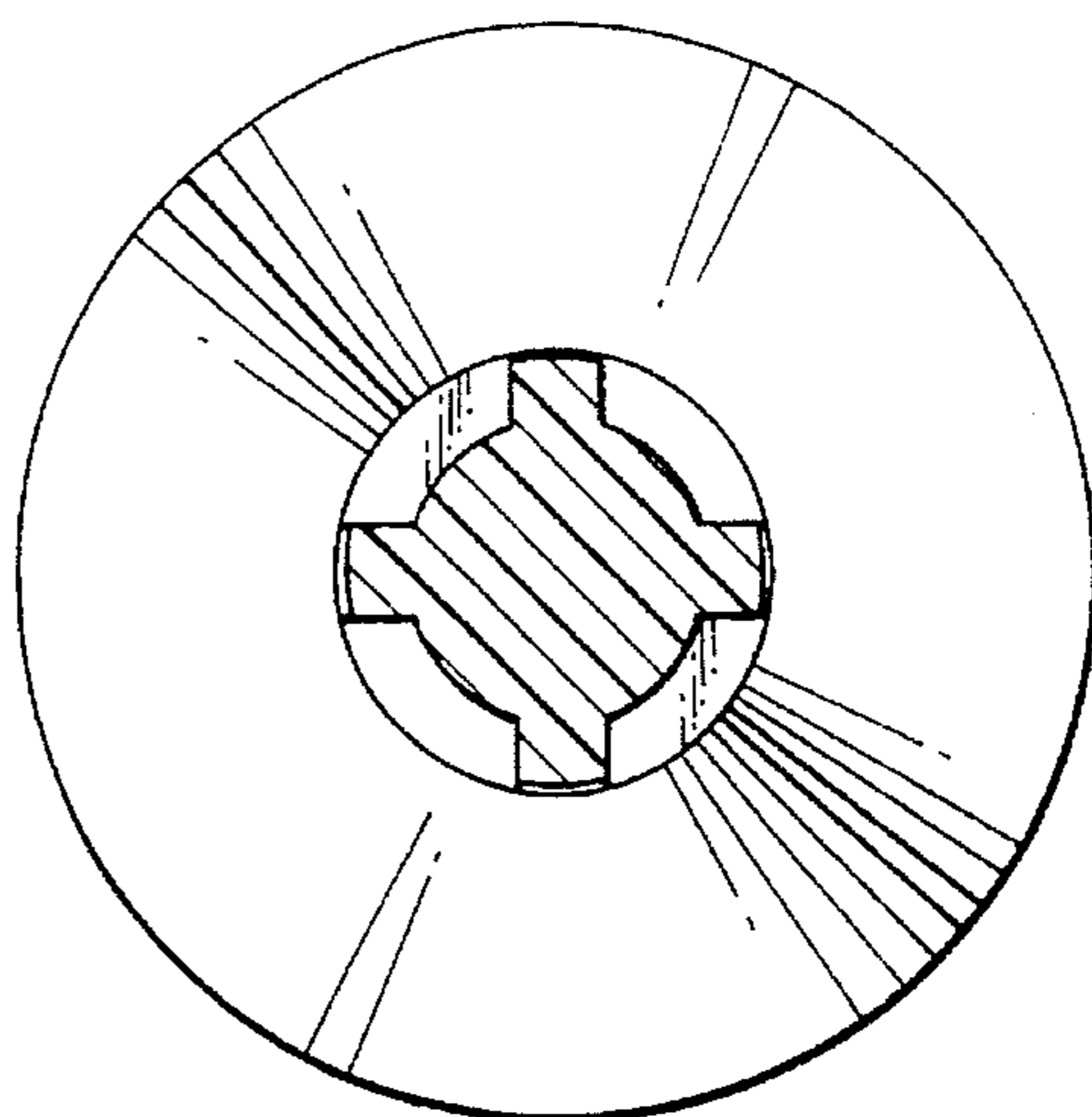


FIG. 8

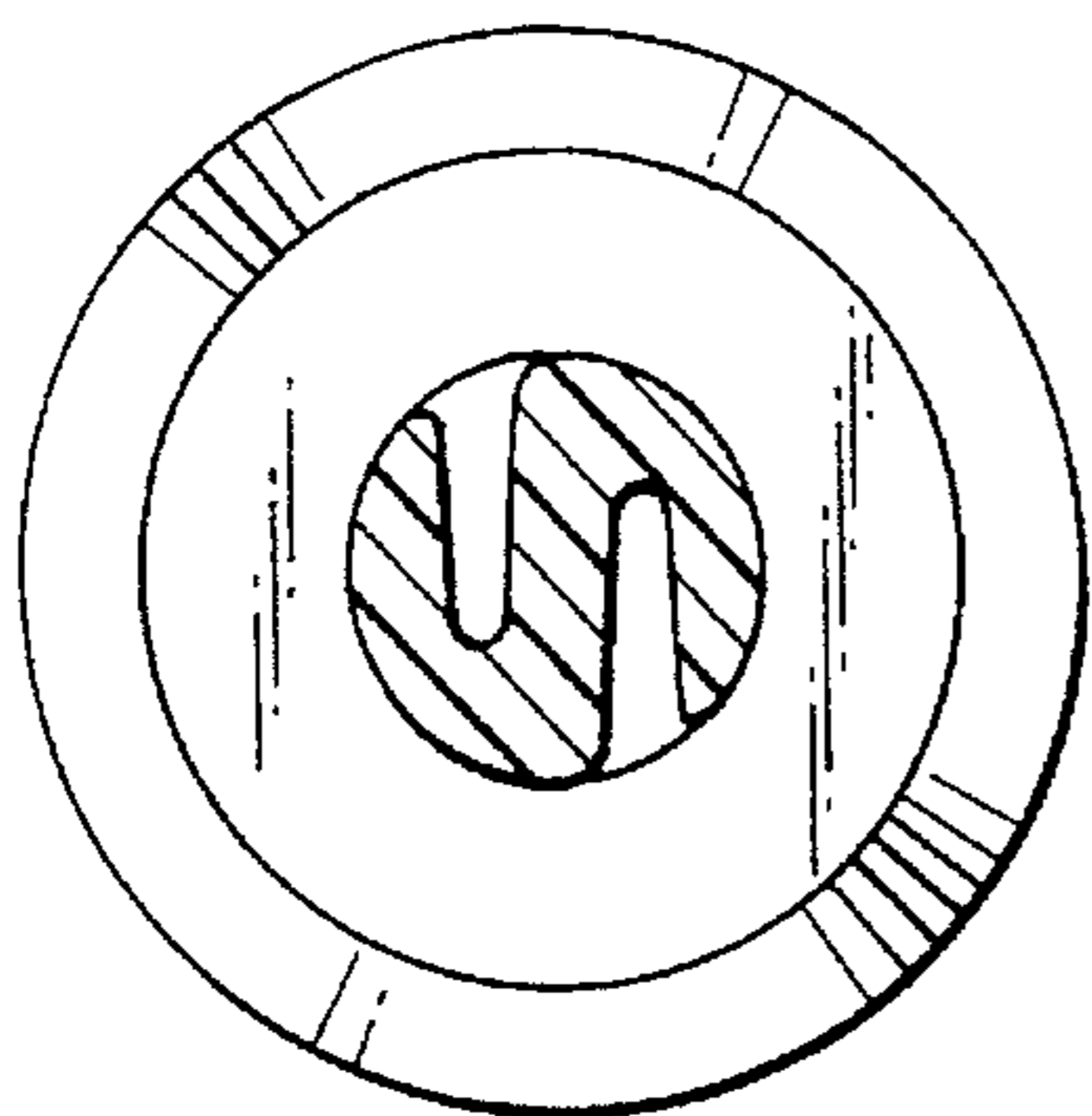


FIG. 9

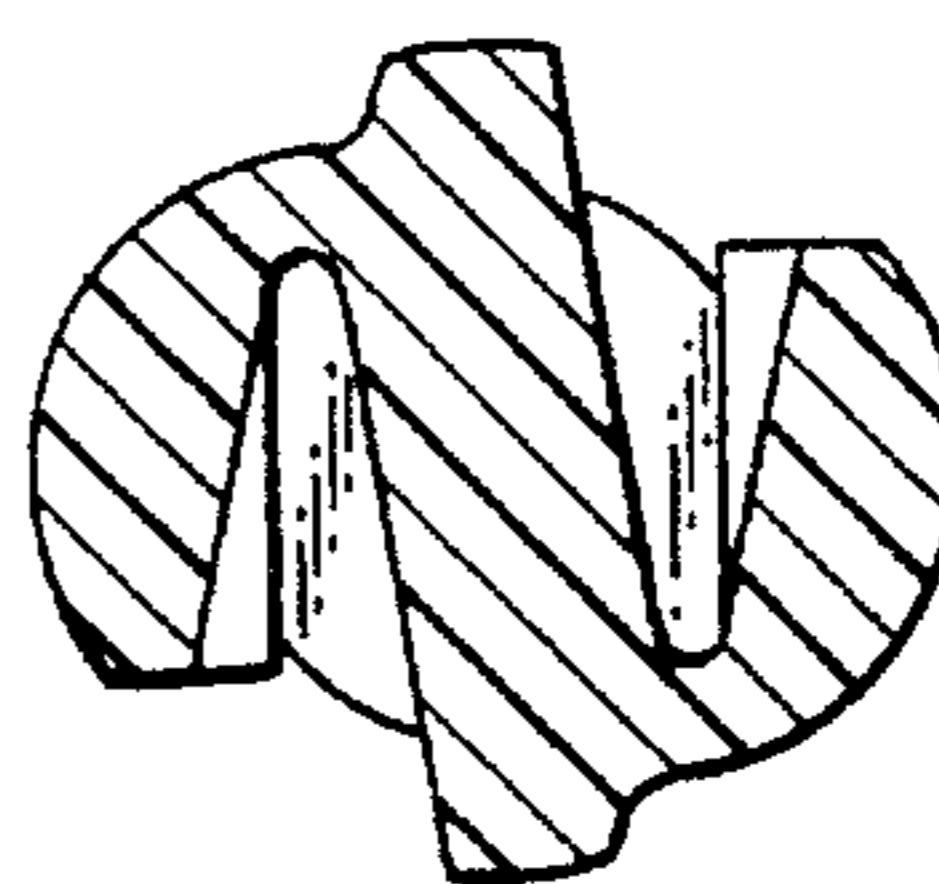


FIG. 10

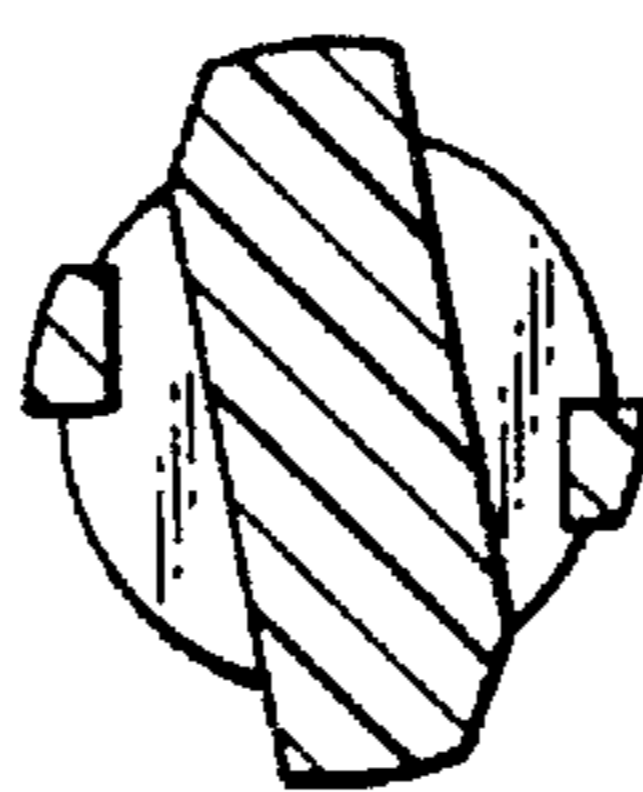


FIG. 11

