



US00D378347S

United States Patent [19]

[11] Patent Number: **Des. 378,347**

Bain

[45] Date of Patent: ****Mar. 11, 1997**

[54] **STICKER**

4,788,777	12/1988	Davis .	
5,022,211	6/1991	Scott	52/729
5,189,860	3/1993	Scott	52/729

[76] Inventor: **David J. Bain**, 163 Grenadier Crescent, Thornhill, Ontario, Canada, L4J 7V6

Primary Examiner—Holly H. Baynham
Attorney, Agent, or Firm—George A. Seaby

[**] Term: **14 Years**

[57] **CLAIM**

[21] Appl. No.: **31,907**

The ornamental design for a sticker, as shown and described.

[22] Filed: **Nov. 29, 1994**

[52] U.S. Cl. **D8/354**

DESCRIPTION

[58] Field of Search D8/354; D25/199, D25/121, 113; 52/729, 731.7, 307, 308; 108/51.1; 34/306

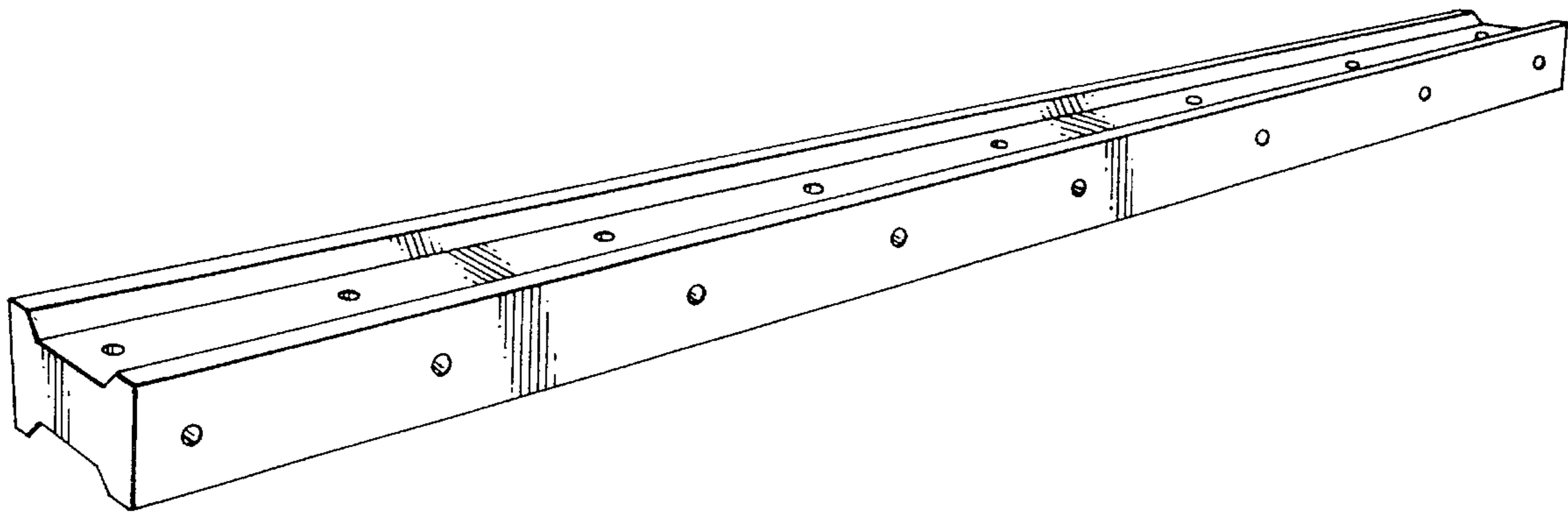
FIG. 1 is a perspective view from above and one end of the sticker showing my new design;
FIG. 2 is a top plan view thereof, the bottom plan view being identical;
FIG. 3 is a side elevational view thereof, the other side view being identical; and,
FIG. 4 is an end elevational view thereof, the other end view being identical.

[56] **References Cited**

U.S. PATENT DOCUMENTS

2,705,120	3/1955	Owen	108/51.1
3,842,991	10/1974	Koebel .	
3,907,130	9/1975	Hutcheson .	
4,199,870	4/1980	Arsenault .	

1 Claim, 2 Drawing Sheets



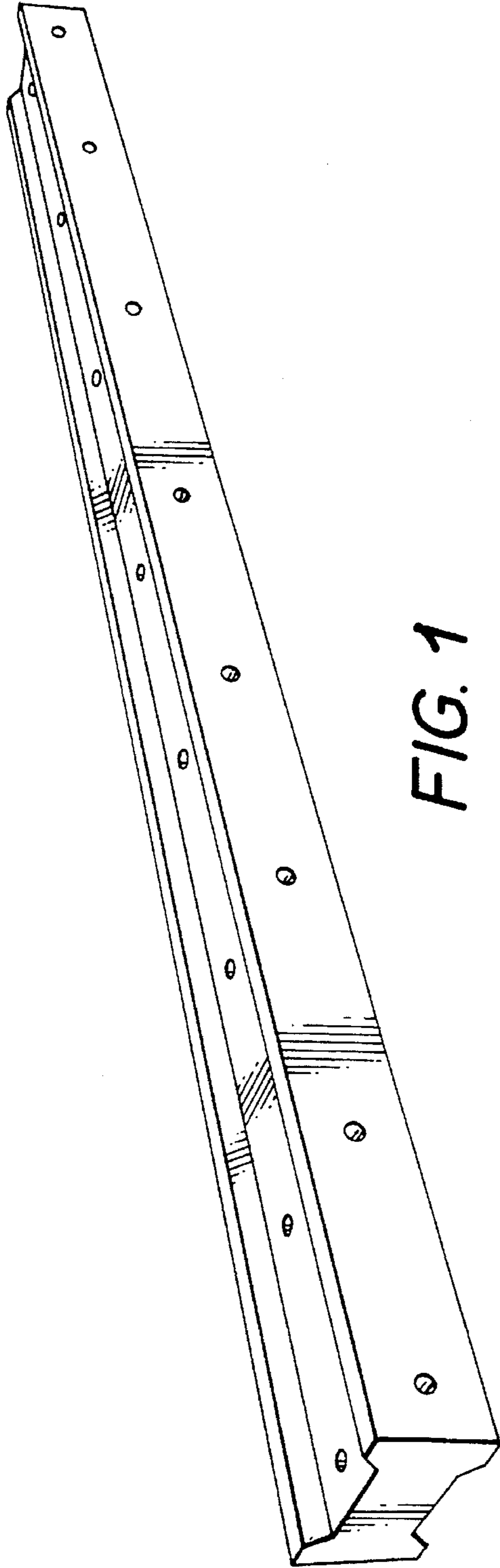


FIG. 1



FIG. 2



FIG. 3



FIG. 4