



US00D378345S

# United States Patent [19]

[11] Patent Number: **Des. 378,345**

Austin et al.

[45] Date of Patent: **\*\*Mar. 11, 1997**

[54] **HAND GRIP FOR FASTENER DRIVING TOOL**

[75] Inventors: **Ronald Austin**, Hazelcrest, Ill.;  
**Edward R. Brandt**, Dyer, Ind.

[73] Assignee: **Duo-Fast Corporation**, Franklin Park, Ill.

[\*\*] Term: **14 Years**

[21] Appl. No.: **40,416**

[22] Filed: **Jun. 16, 1995**

[52] U.S. Cl. .... **D8/107**; D8/303

[58] Field of Search ..... D7/393, 395; D8/83,  
D8/14, 107, 300, 303, 306; 16/110 R, 111 R,  
DIG. 12; 81/177.1, 489

[56] **References Cited**

**U.S. PATENT DOCUMENTS**

D. 304,154	10/1989	Osterhout	.....	D8/107
D. 318,602	7/1991	Vosbikian	.....	D8/107
D. 323,280	1/1992	Chen	.....	D8/303
D. 351,776	10/1994	Schuchard et al.	.....	D8/303

**FOREIGN PATENT DOCUMENTS**

62270	10/1982	European Pat. Off.	.....	81/177.1
-------	---------	--------------------	-------	----------

*Primary Examiner*—Ted Shooman  
*Assistant Examiner*—Adir Aronovich  
*Attorney, Agent, or Firm*—Mason, Kolehmainen, Rathburn & Wyss

[57] **CLAIM**

The ornamental design for a hand grip for fastener driving tool, as shown and described.

**DESCRIPTION**

FIG. 1 is a side perspective view of a hand grip for fastener driving tool;

FIG. 2 is a side elevational view of the hand grip for fastener driving tool of FIG. 1;

FIG. 3 is a side elevational view of the hand grip for fastener driving tool of FIG. 1, the side elevational view of FIG. 3 being a mirror image of the side elevational view of FIG. 2;

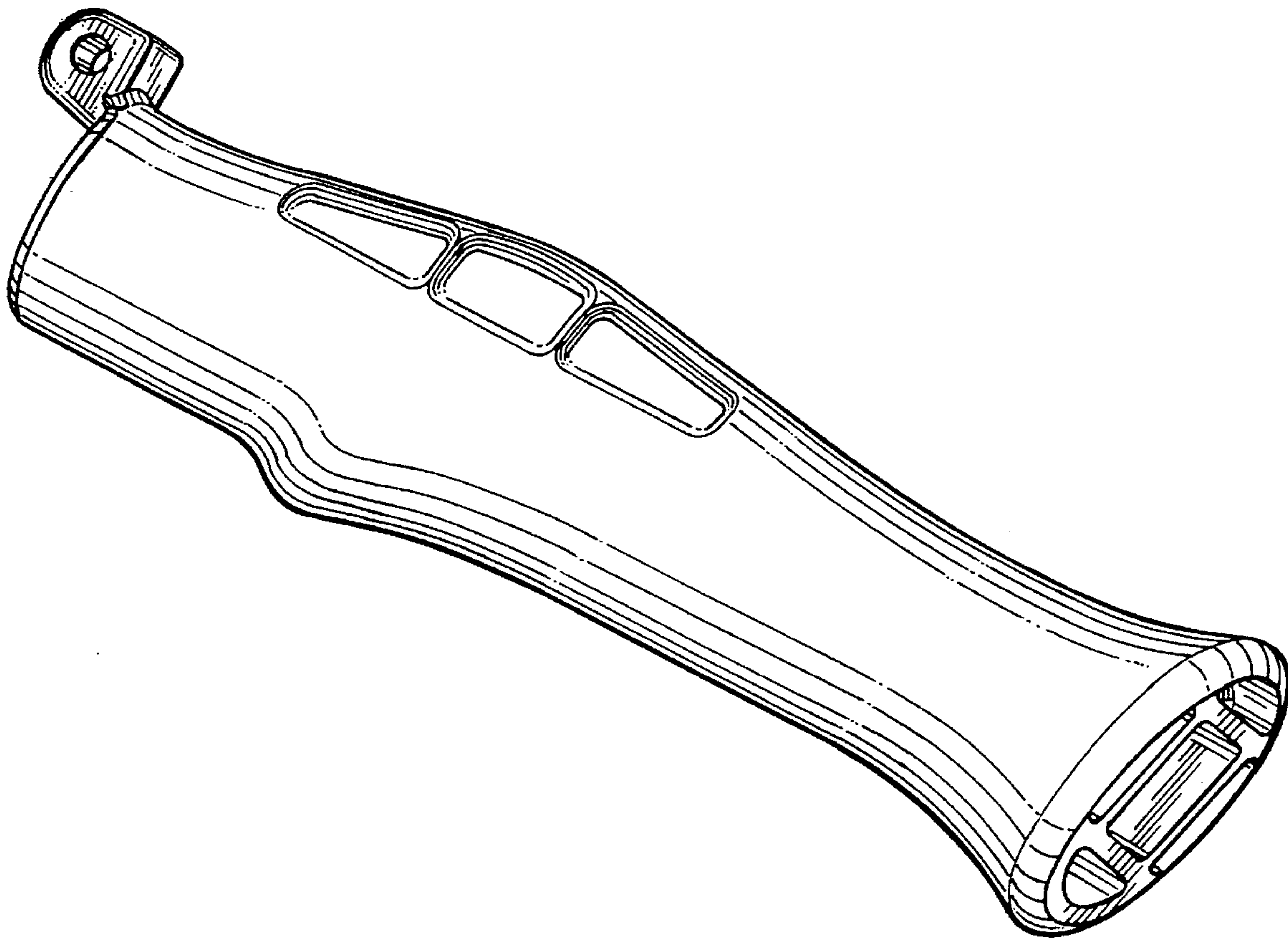
FIG. 4 is a top plan view of the hand grip for fastener driving tool of FIG. 1;

FIG. 5 is a bottom plan view of the hand grip for fastener driving tool of FIG. 1;

FIG. 6 is a front elevational view of the hand grip for fastener driving tool of FIG. 1; and,

FIG. 7 is a rear elevational view of the hand grip for fastener driving tool of FIG. 1.

**1 Claim, 2 Drawing Sheets**



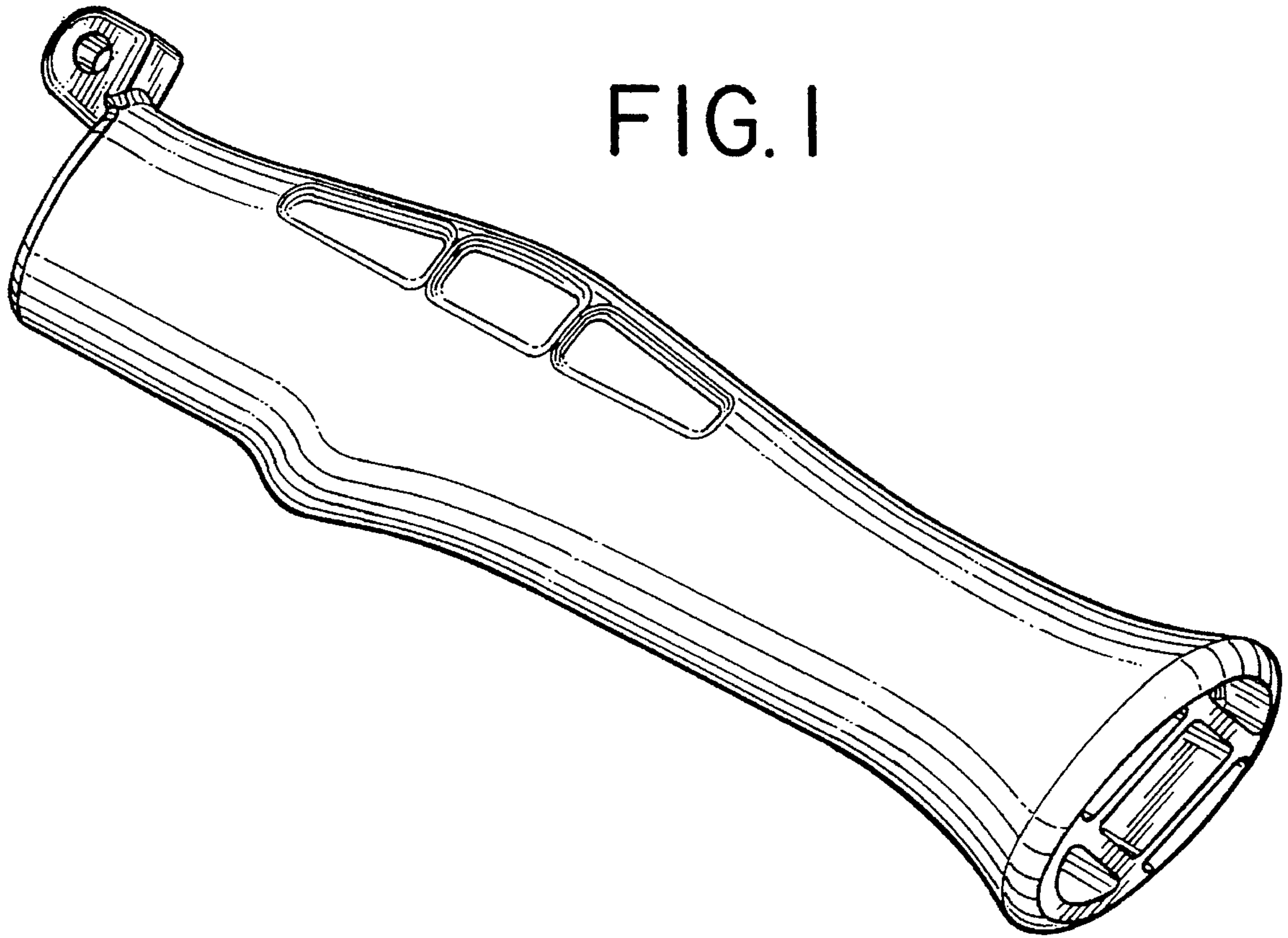


FIG. 2

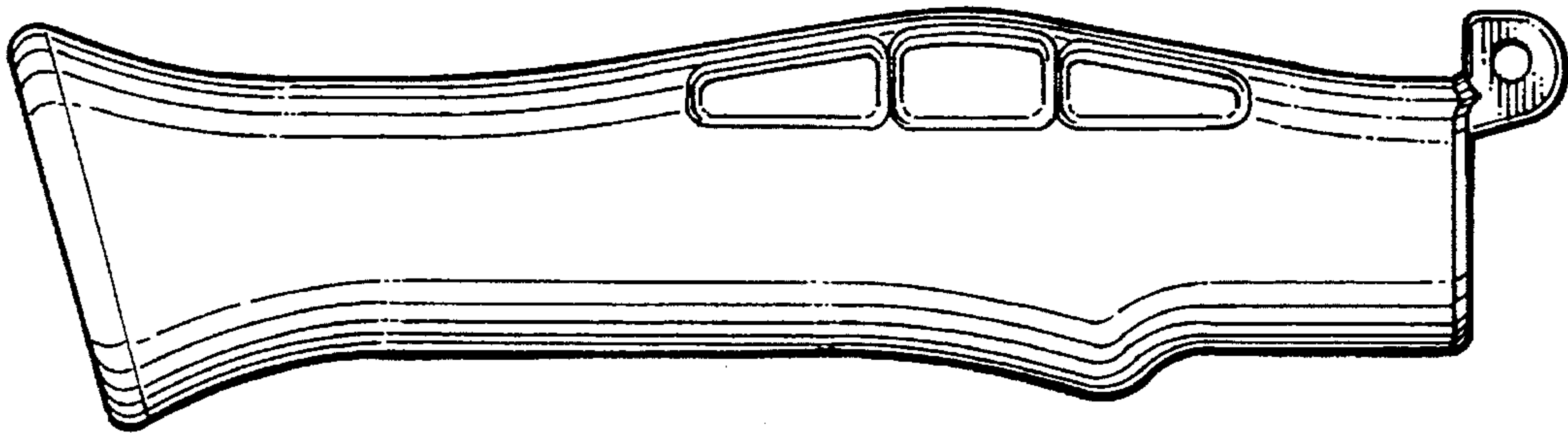


FIG.3

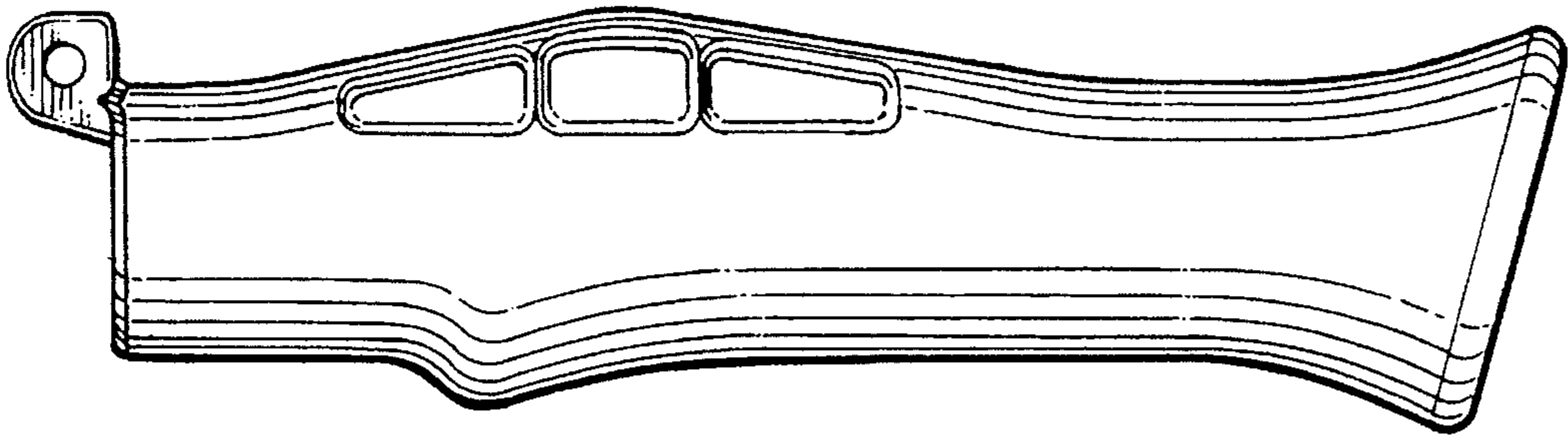


FIG.4

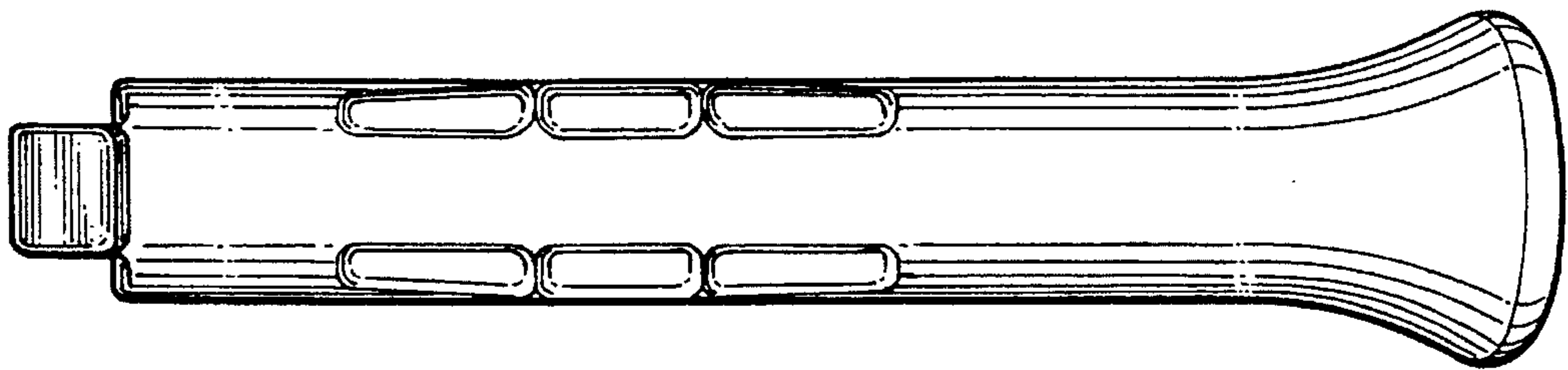


FIG.5

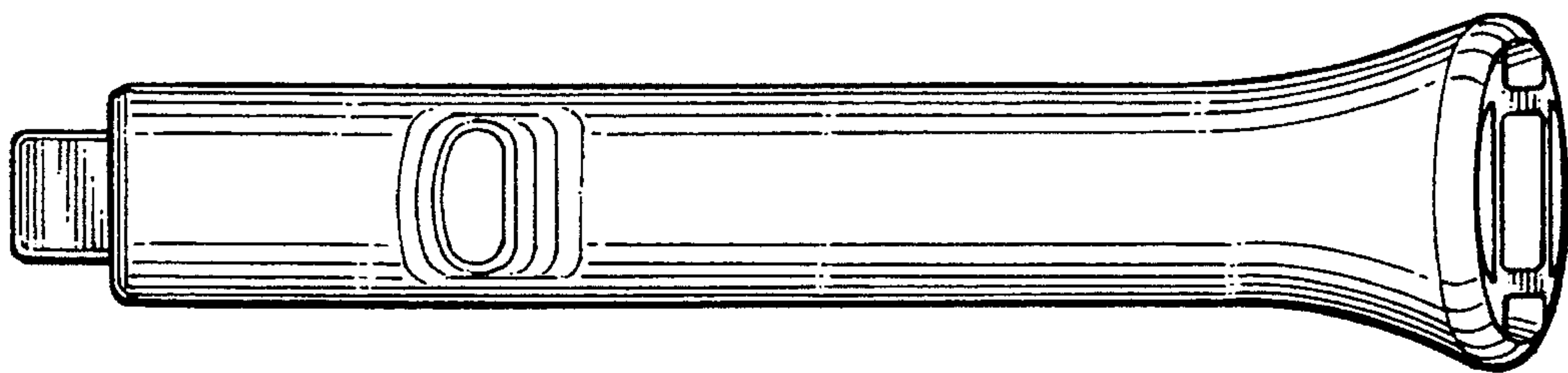


FIG.6

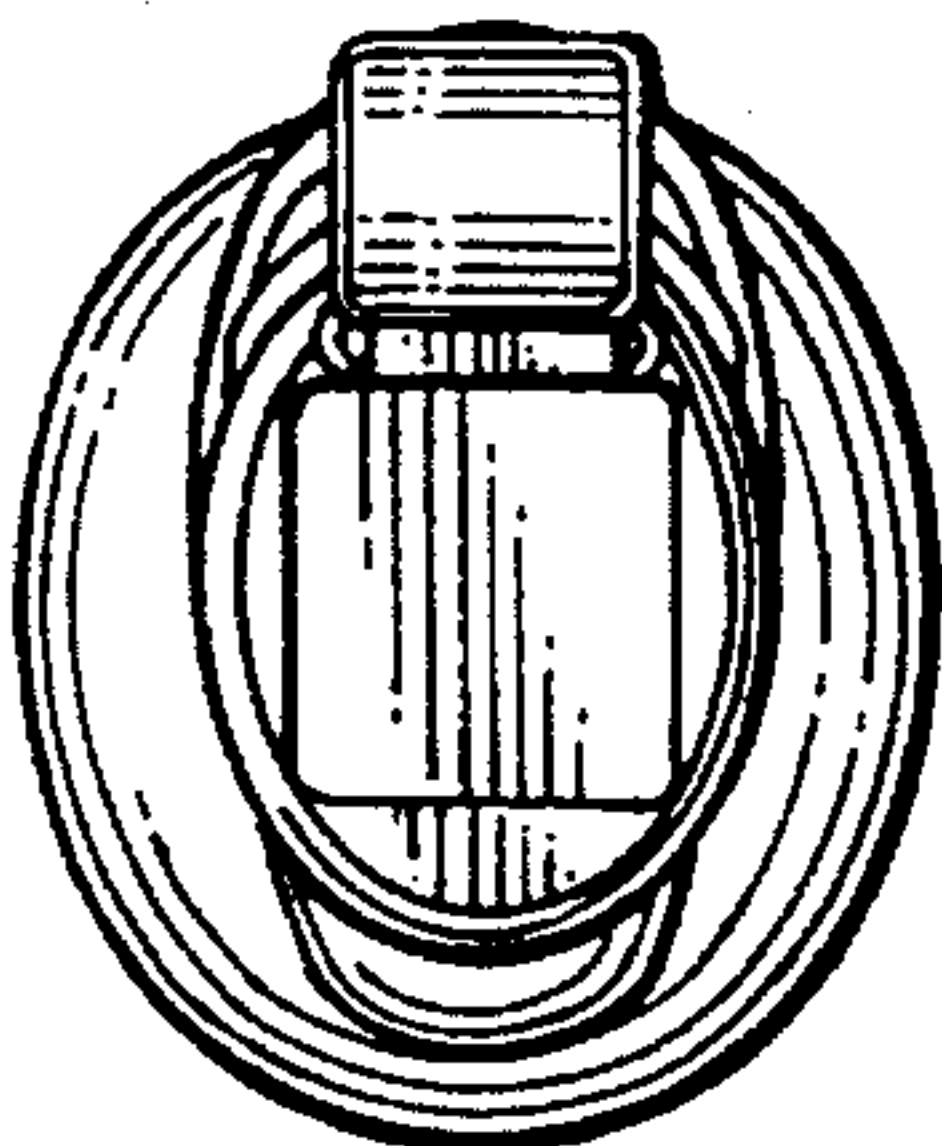


FIG.7

