



US00D378343S

United States Patent [19]

[11] Patent Number: **Des. 378,343**

Macor

[45] Date of Patent: ****Mar. 11, 1997**

[54] **HIGH-PERFORMANCE "C" CLAMP**

2,676,629 4/1954 Solum 24/569
4,903,929 2/1990 Hoffman D8/73

[75] Inventor: **Richard J. Macor**, Stewartsville, N.J.

Primary Examiner—James M. Gandy
Attorney, Agent, or Firm—Glynn P. Kenneth, Esq.

[73] Assignee: **Ideal Ideas, Inc.**, Flemington, N.J.

[**] Term: **14 Years**

[57] **CLAIM**

[21] Appl. No.: **49,095**

The ornamental design for a high-performance "C" clamp, as shown.

[22] Filed: **Jan. 16, 1996**

[52] U.S. Cl. **D8/73**

[58] Field of Search D8/71, 72, 73,
D8/354; 29/257; 24/456, 514, 569; 242/404.2;
269/143, 249; 296/100, 128, 164, 167,
35.1, 36

DESCRIPTION

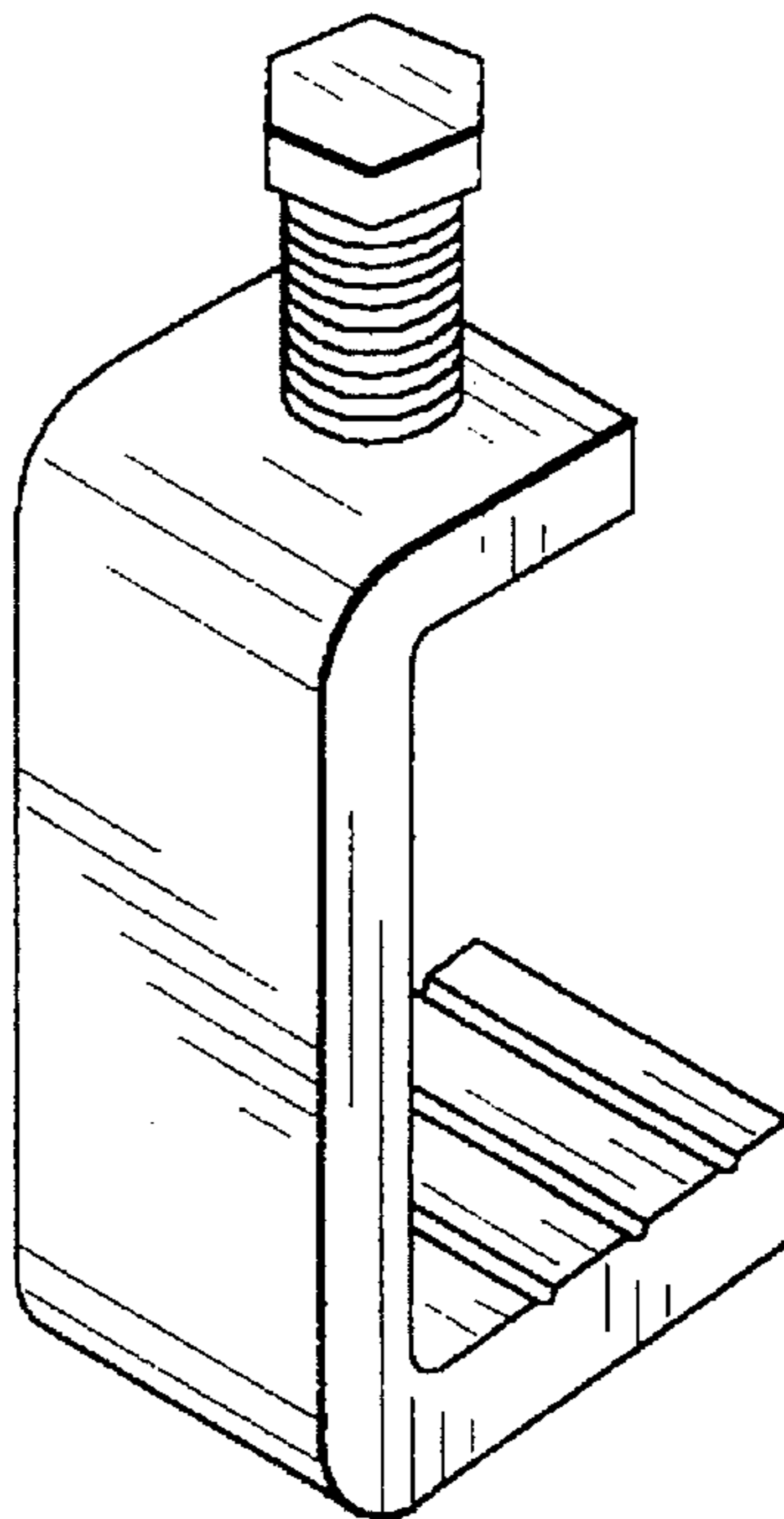
FIG. 1 is a perspective view of a high-performance "C" clamp showing my new design;
FIG. 2 is a front elevation view thereof;
FIG. 3 is a back elevation view thereof;
FIG. 4 is a top plan view thereof;
FIG. 5 is a bottom plan view thereof;
FIG. 6 is a right side elevation view thereof; and,
FIG. 7 is a left side elevation view thereof.

[56] **References Cited**

U.S. PATENT DOCUMENTS

D. 266,481 10/1982 Davies D8/73
D. 344,226 2/1994 Glynn D8/73
1,281,531 10/1918 Dietrich 296/35.1

1 Claim, 1 Drawing Sheet



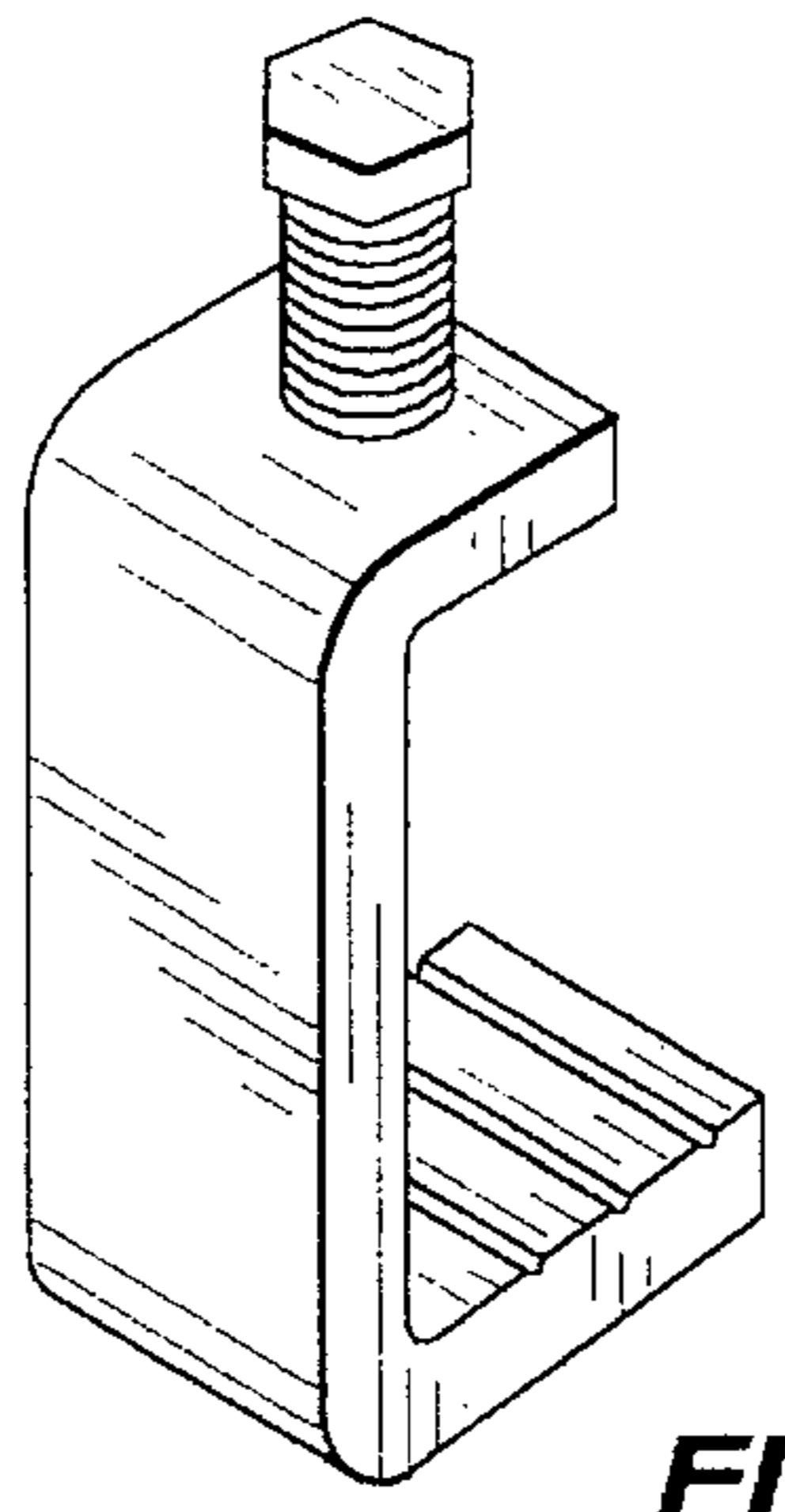


FIG. 1

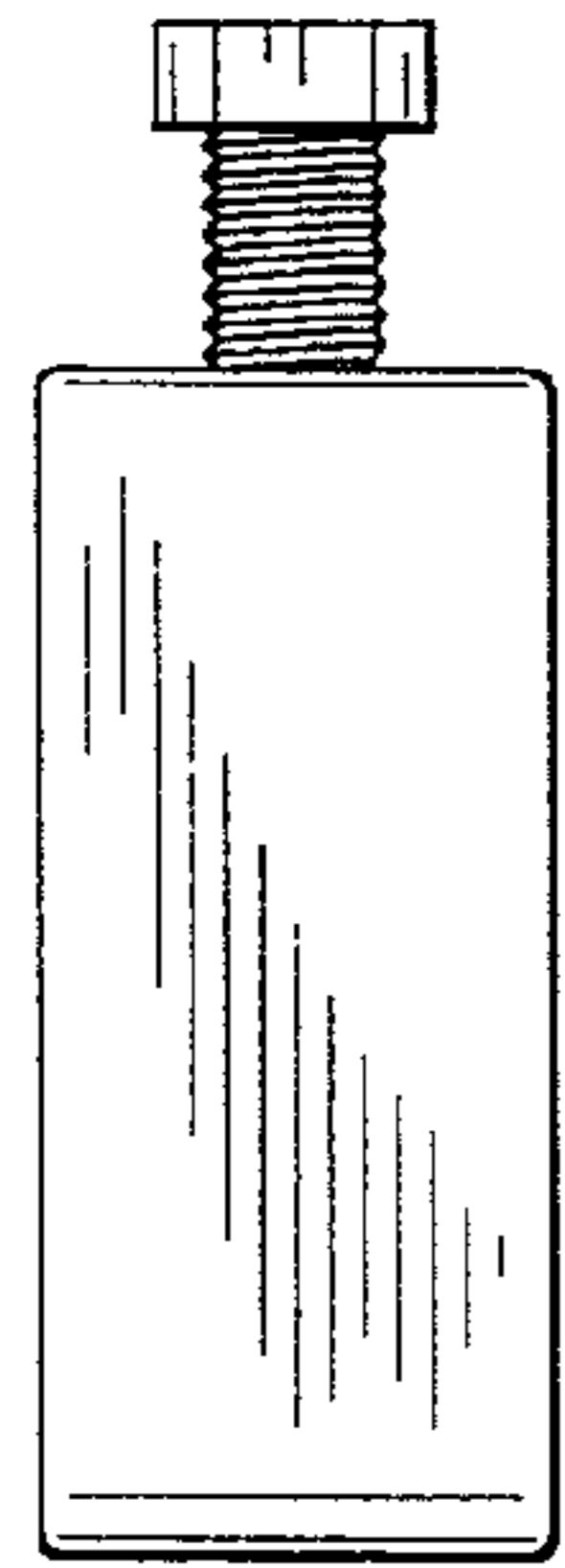


FIG. 2

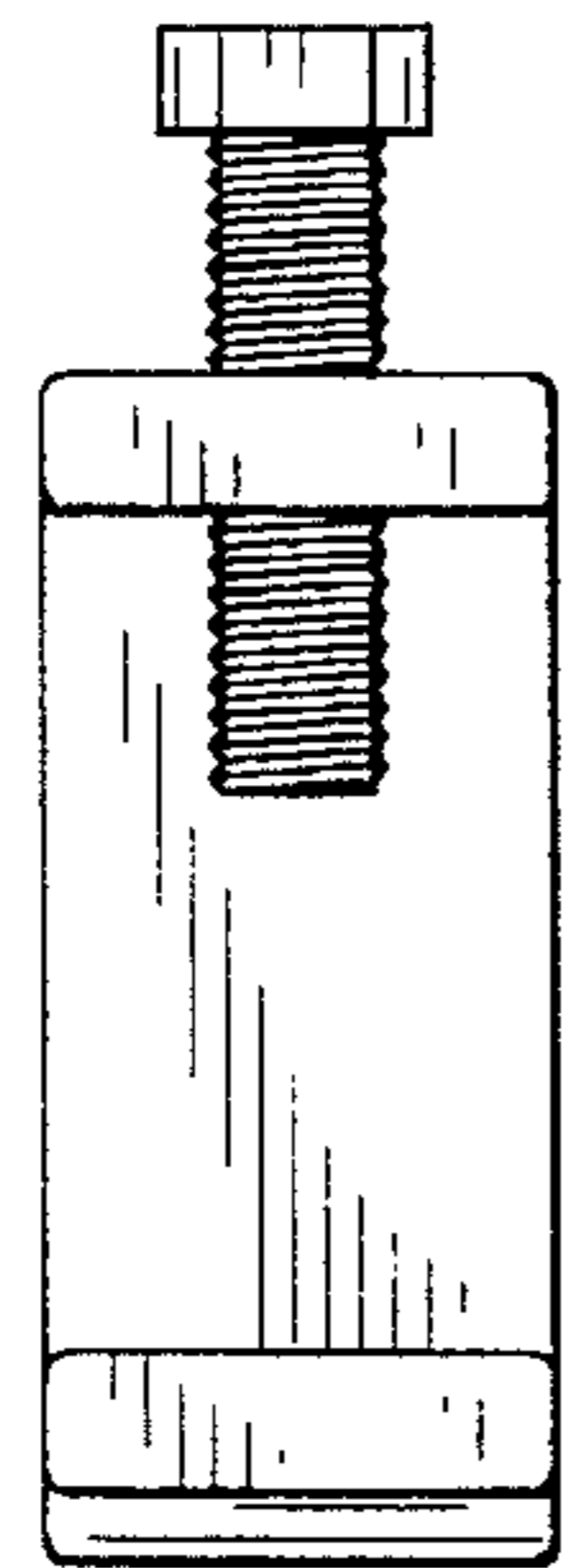


FIG. 3

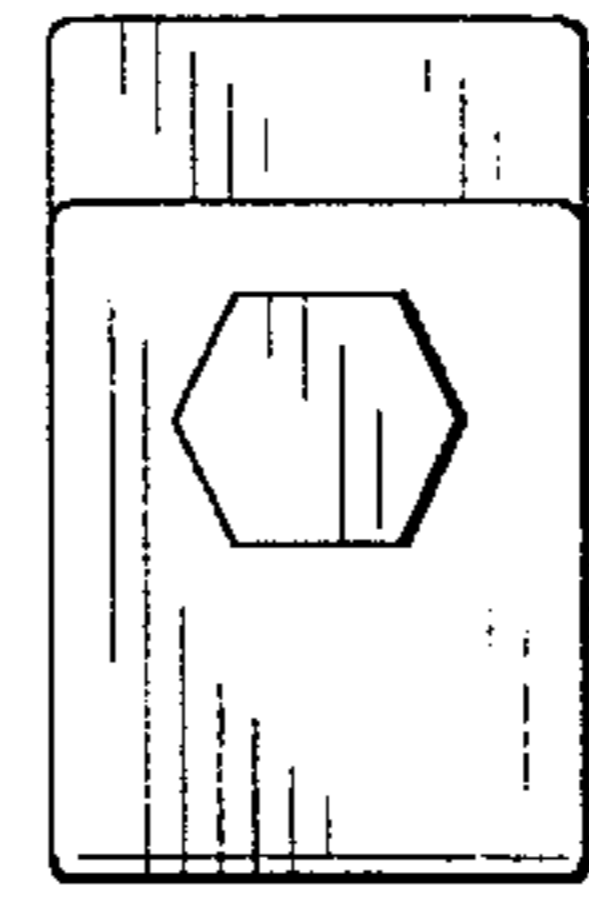


FIG. 4

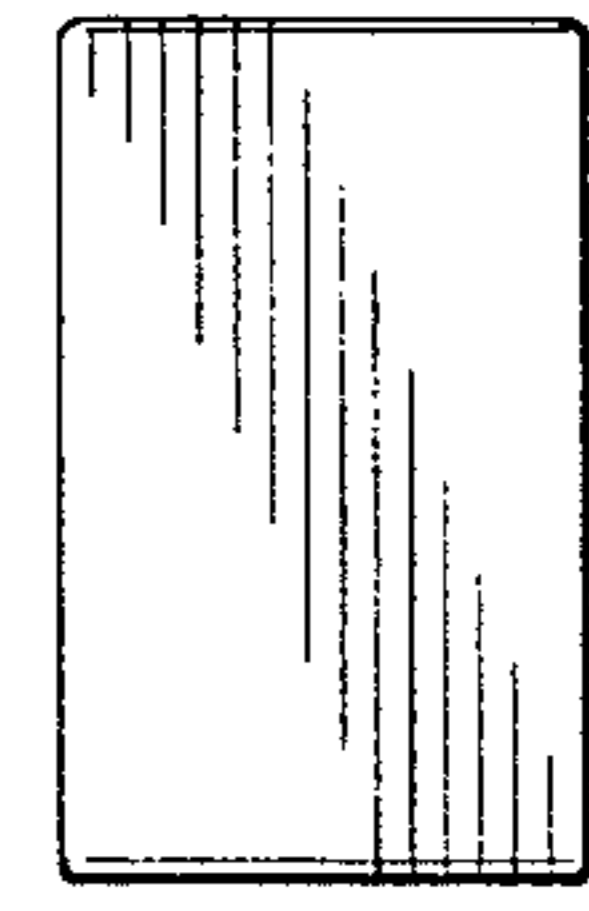


FIG. 5

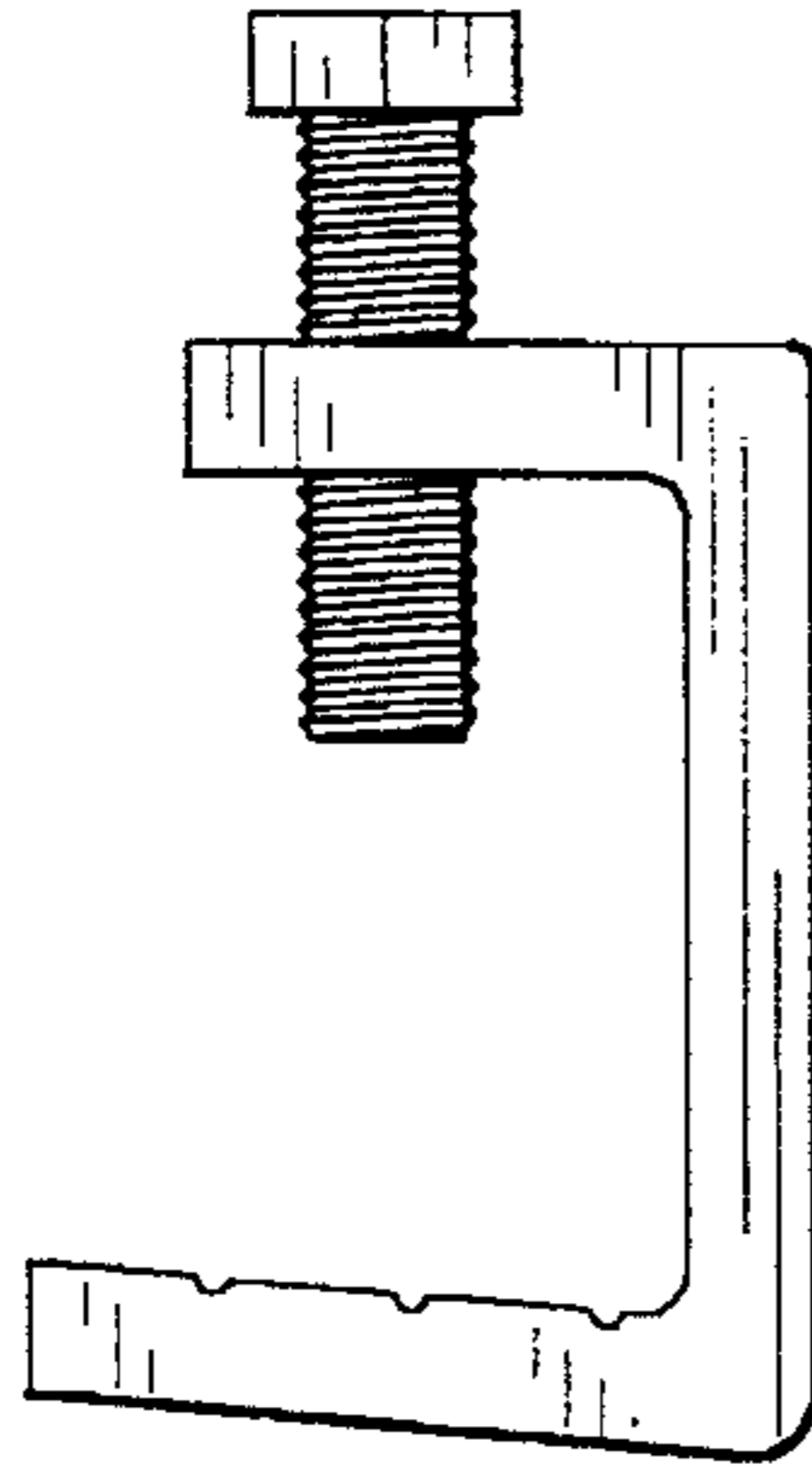


FIG. 6

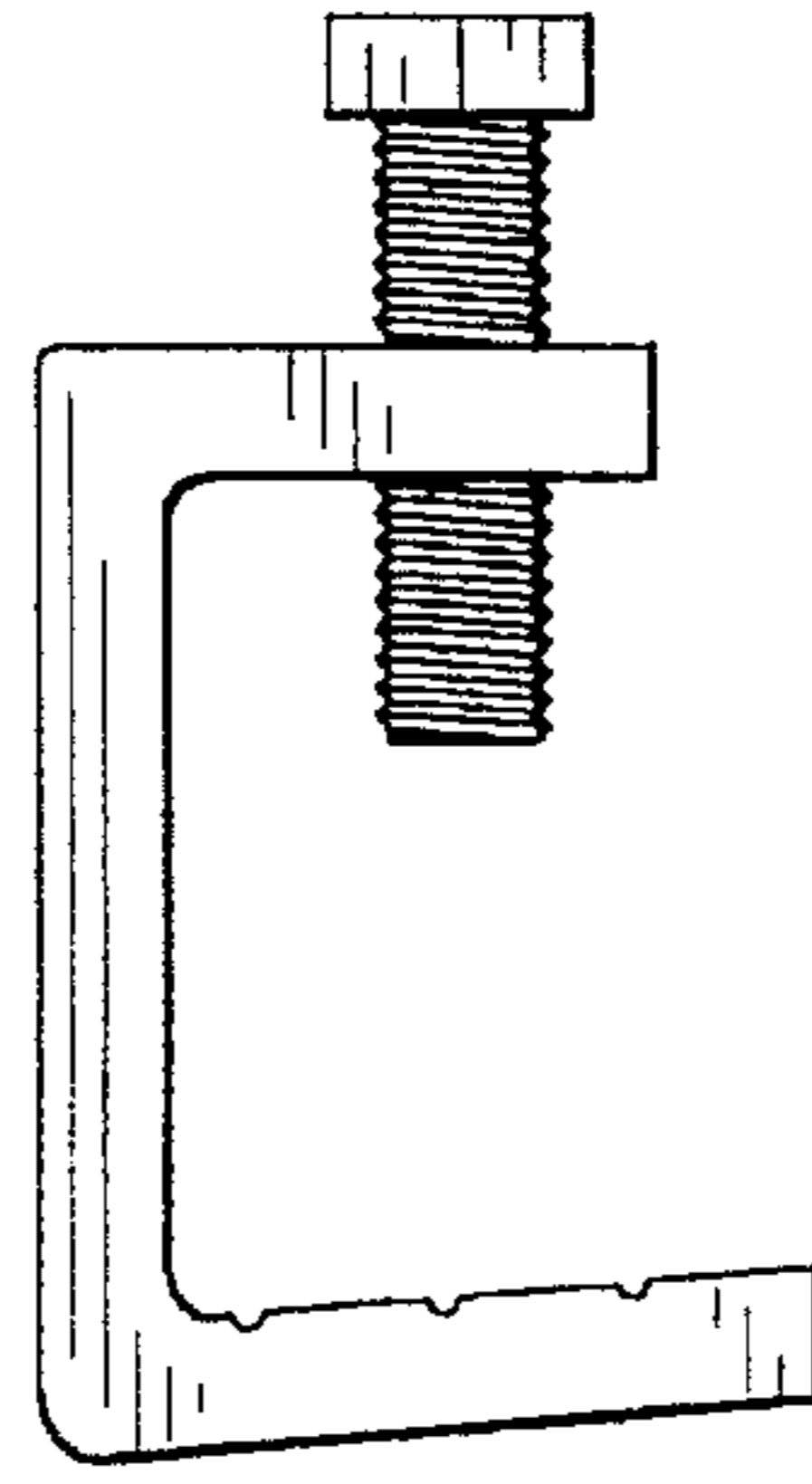


FIG. 7