



US00D378342S

United States Patent [19]

[11] Patent Number: **Des. 378,342**

Stuart et al.

[45] Date of Patent: ****Mar. 11, 1997**

[54] **SKI REPAIR SUPPORT**

3303158 8/1984 Germany 280/809
3637002 5/1988 Germany 280/814

[76] Inventors: **Peter W. Stuart**, 2181 E. Arbor La., Salt Lake City, Utah 84117; **Henry M. Armantrout**, 1765 E. Hubbard Ave., Salt Lake City, Utah 84108

Primary Examiner—Kay H. Chin
Attorney, Agent, or Firm—Foster & Foster

[**] Term: **14 Years**

[57] **CLAIM**

The ornamental design for a ski repair support, as shown and described.

[21] Appl. No.: **43,852**

DESCRIPTION

[22] Filed: **Sep. 12, 1995**

[52] U.S. Cl. **D8/72; D21/229**

FIG. 1 is a perspective view of support for supporting a ski during repairs embodying our new design;
FIG. 2 is a rear elevational view thereof;
FIG. 3 is a front elevational view thereof;
FIG. 4 is a top plan view thereof;
FIG. 5 is a bottom plan view thereof;
FIG. 6 is an end elevational view looking from the right side of FIG. 1; and,
FIG. 7 is an end elevational view looking from the left side of FIG. 1.

[58] Field of Search D21/229; 280/814, 280/809; D8/73, 72

[56] **References Cited**

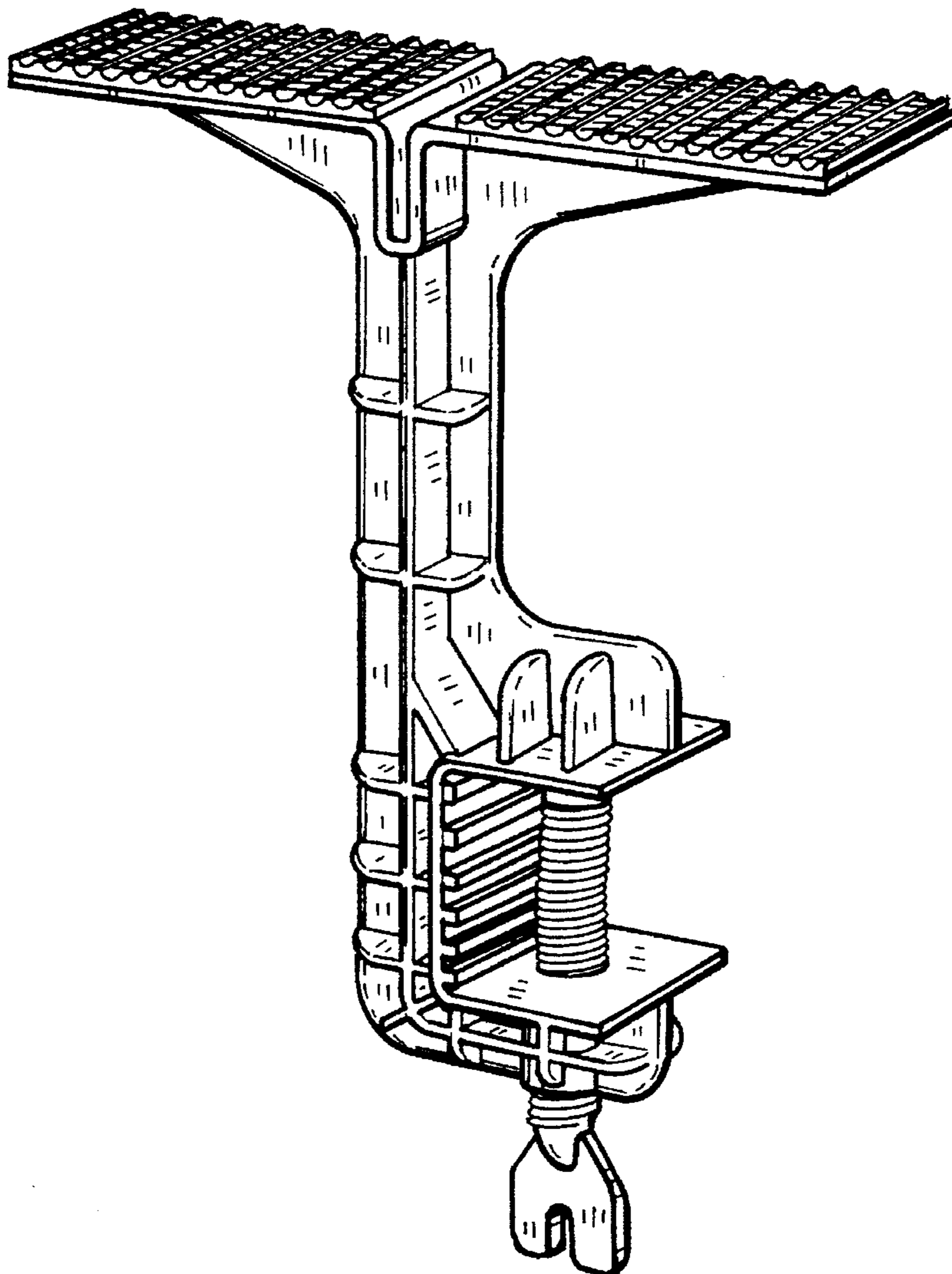
U.S. PATENT DOCUMENTS

D. 334,590 4/1993 Villano D8/72

FOREIGN PATENT DOCUMENTS

487225 5/1992 European Pat. Off. 280/809
2541125 8/1984 France 280/809

1 Claim, 2 Drawing Sheets



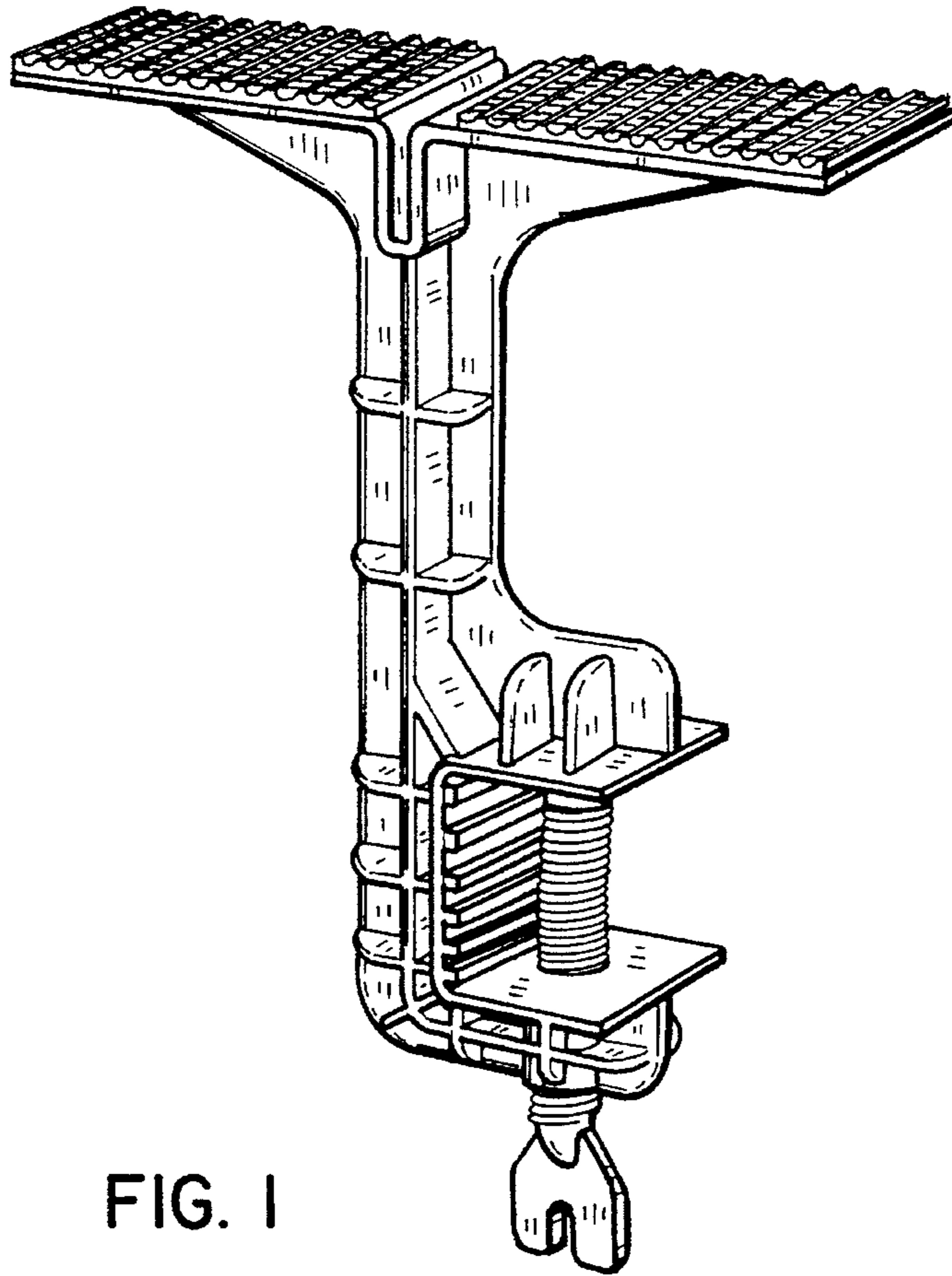


FIG. 1

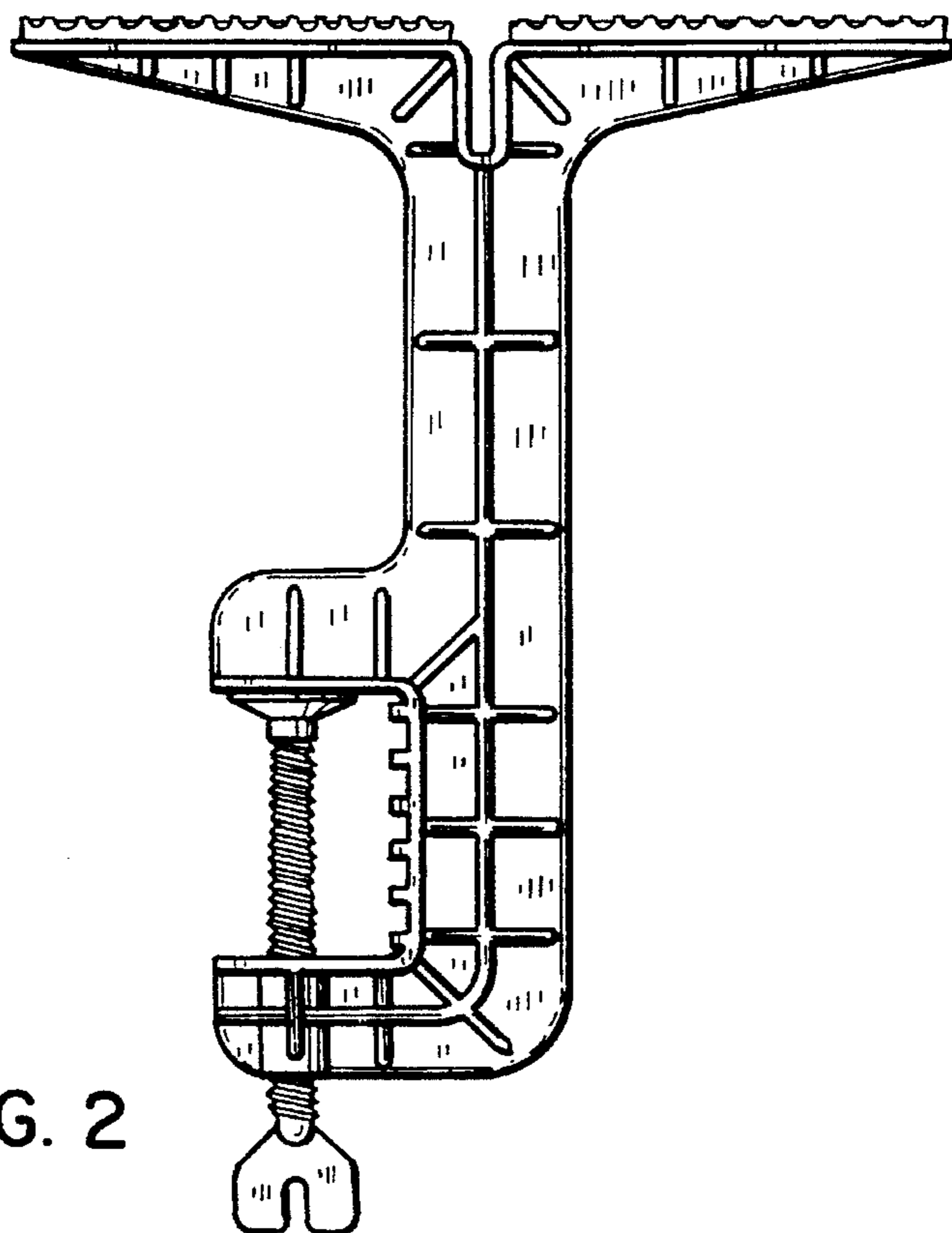


FIG. 2

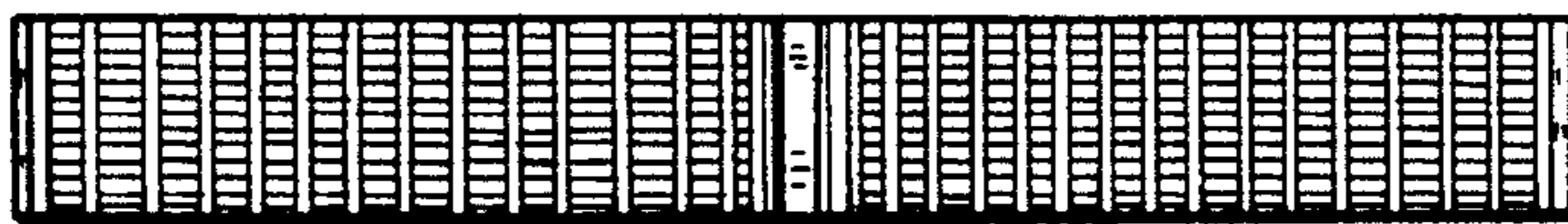


FIG. 4



FIG. 7

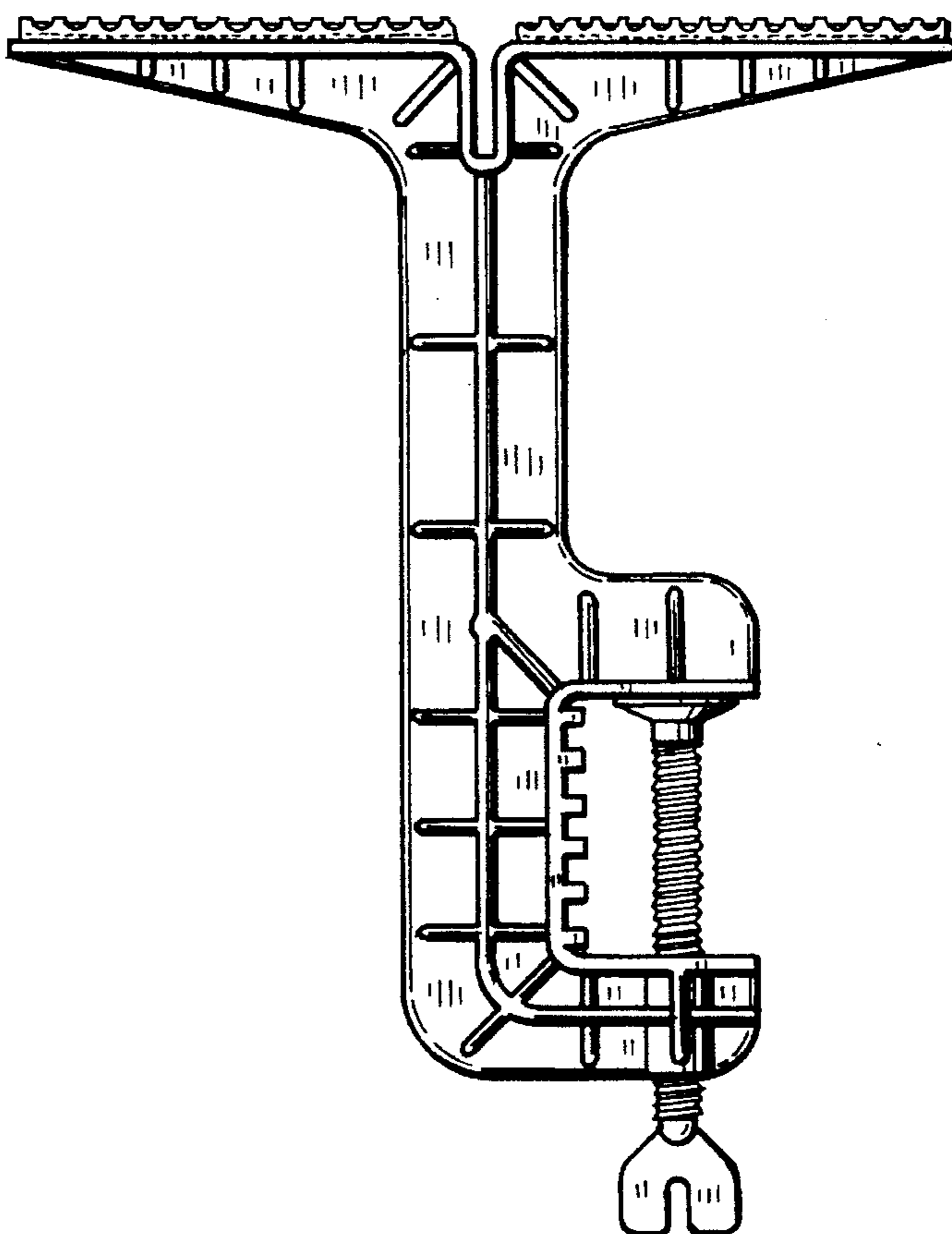


FIG. 3

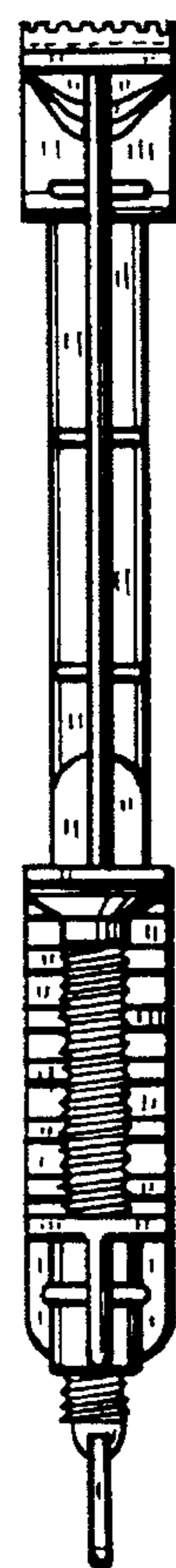


FIG. 6



FIG. 5