



US00D378341S

# United States Patent [19]

Kim

[11] Patent Number: Des. 378,341

[45] Date of Patent: \*\*Mar. 11, 1997

[54] HAMMER DRILL

[75] Inventor: Dong H. Kim, Seo-ku, Rep. of Korea

[73] Assignee: LG Industrial Systems Co., Ltd.,  
Seoul, Rep. of Korea

[\*\*] Term: 14 Years

[21] Appl. No.: 43,189

[22] Filed: Aug. 28, 1995

[30] Foreign Application Priority Data

Feb. 28, 1995 [KR] Rep. of Korea ..... 3410/1995

[52] U.S. Cl. .... D8/69; D8/61

[58] Field of Search ..... D8/61, 68, 69;  
81/57.11, 57.13, 57.14, 57.29, 464, 469;  
173/13, 48

[56] References Cited

### U.S. PATENT DOCUMENTS

D. 333,076	2/1993	Fushiya et al. ....	D8/61
D. 341,532	11/1993	Watanabe et al. ....	D8/69
3,022,769	2/1962	Amundsen et al. ....	173/169
3,438,413	4/1969	Borah ..... 81/177.1	

### OTHER PUBLICATIONS

1½" & 1" Rotary Hammers, Models DH38YF & DH25VK,  
Hitachi Electric & Pneumatic Power Tools Catalog.

Primary Examiner—James M. Gandy  
Assistant Examiner—Robert M. Spear  
Attorney, Agent, or Firm—Knobbe, Martens, Olson & Bear  
LLP

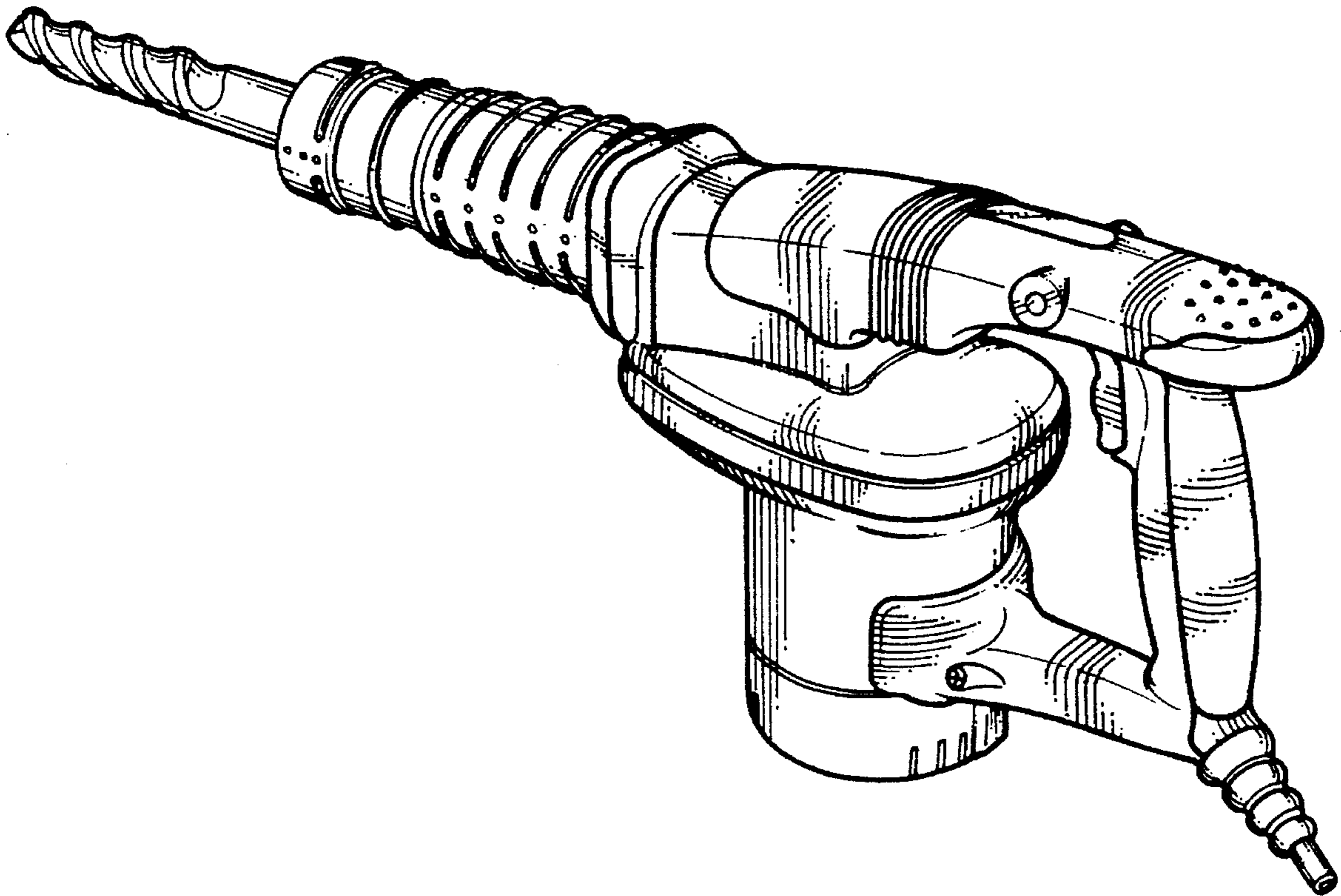
### [57] CLAIM

The ornamental design for a hammer drill, as shown and described.

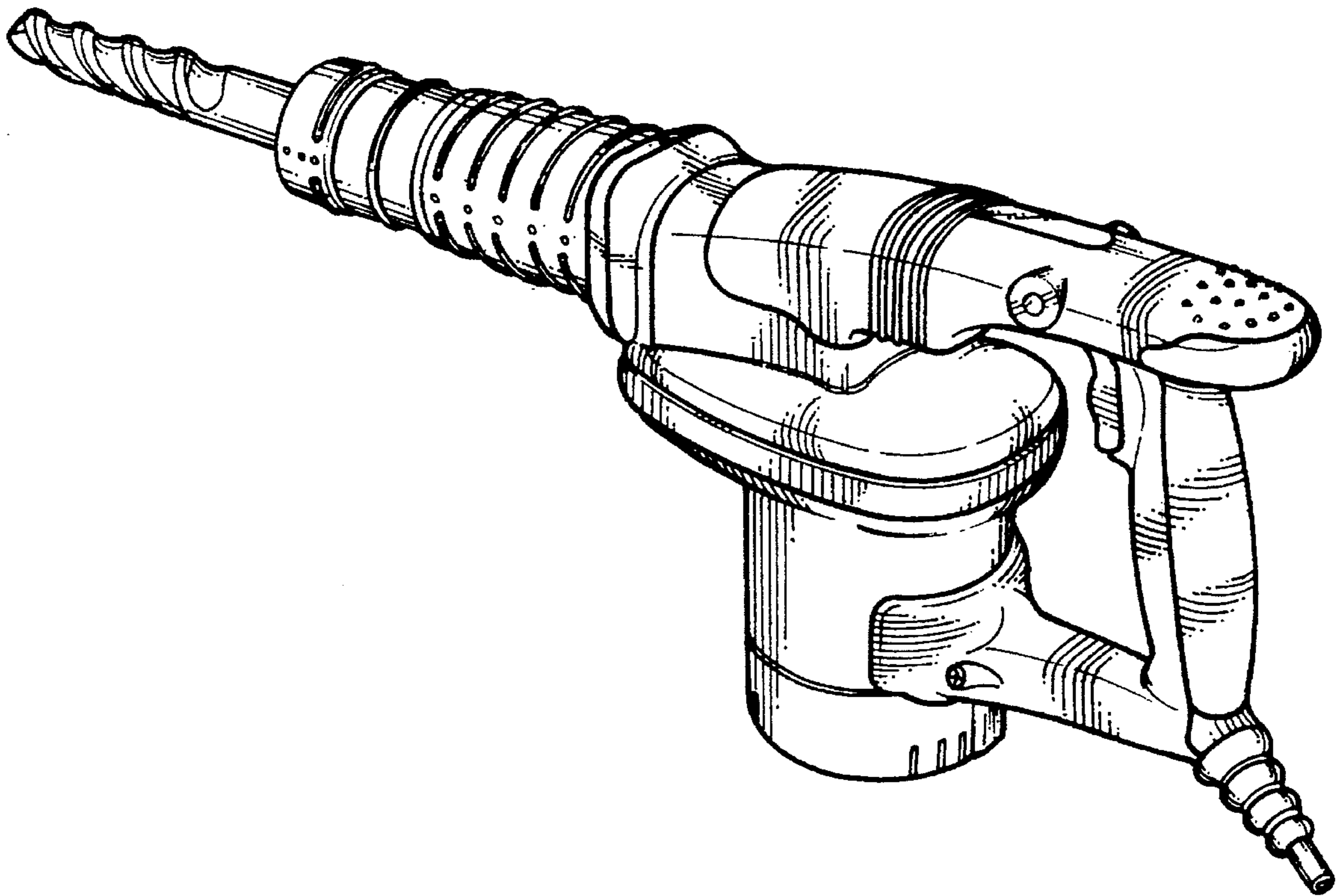
### DESCRIPTION

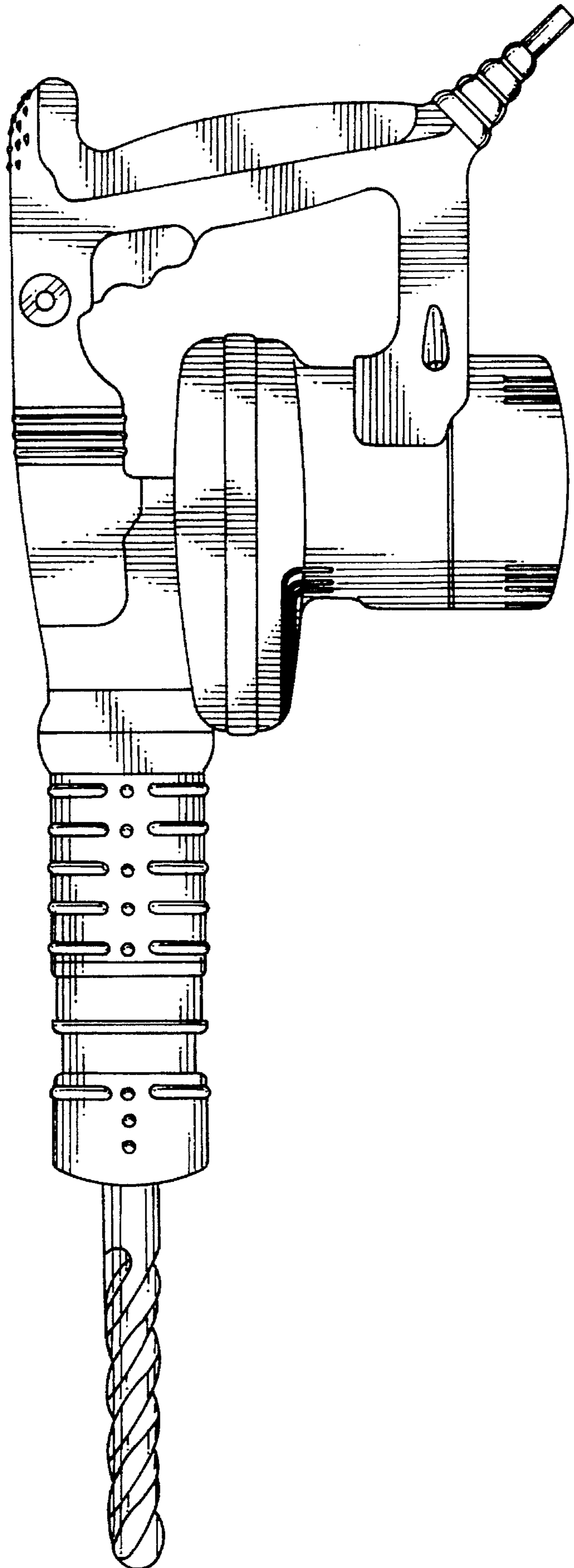
FIG. 1 is a front perspective view of the hammer drill of the present invention;  
FIG. 2 is a front elevational view thereof;  
FIG. 3 is a rear elevational view thereof;  
FIG. 4 is a left side elevational view thereof;  
FIG. 5 is a right side elevational view thereof;  
FIG. 6 is a top plan view thereof; and,  
FIG. 7 is a bottom plan view thereof.

1 Claim, 6 Drawing Sheets



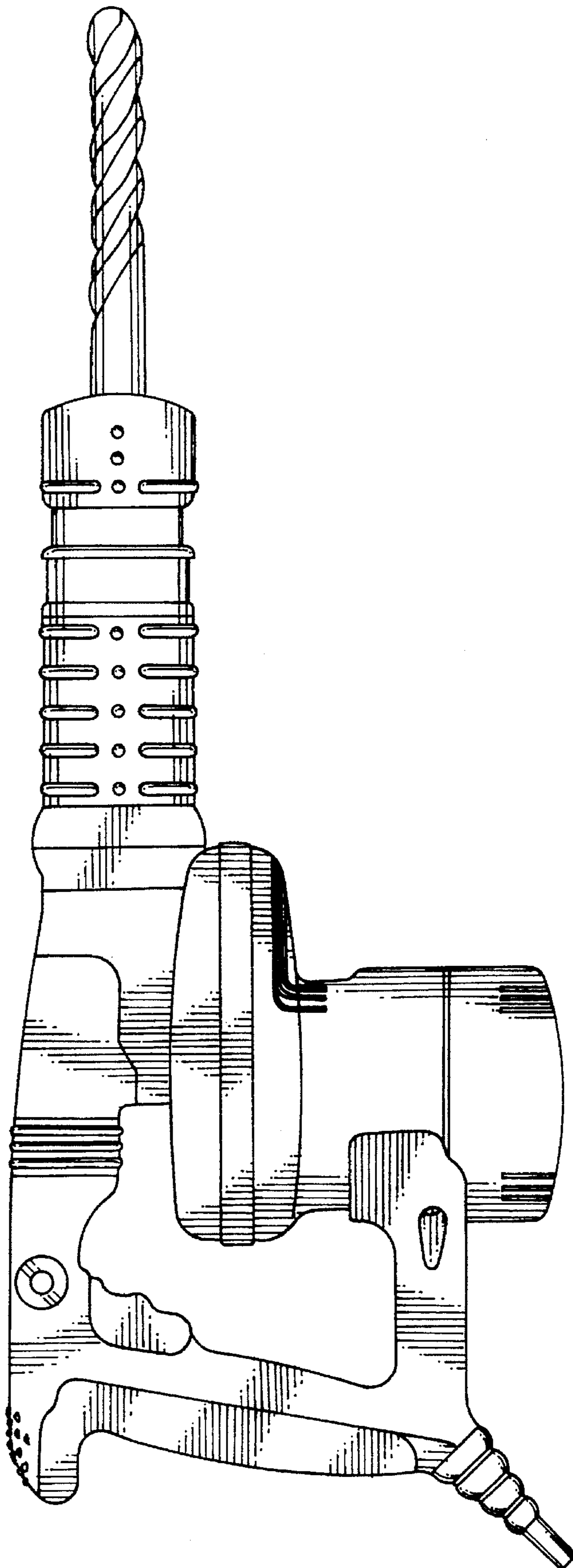
*Fig. 1*



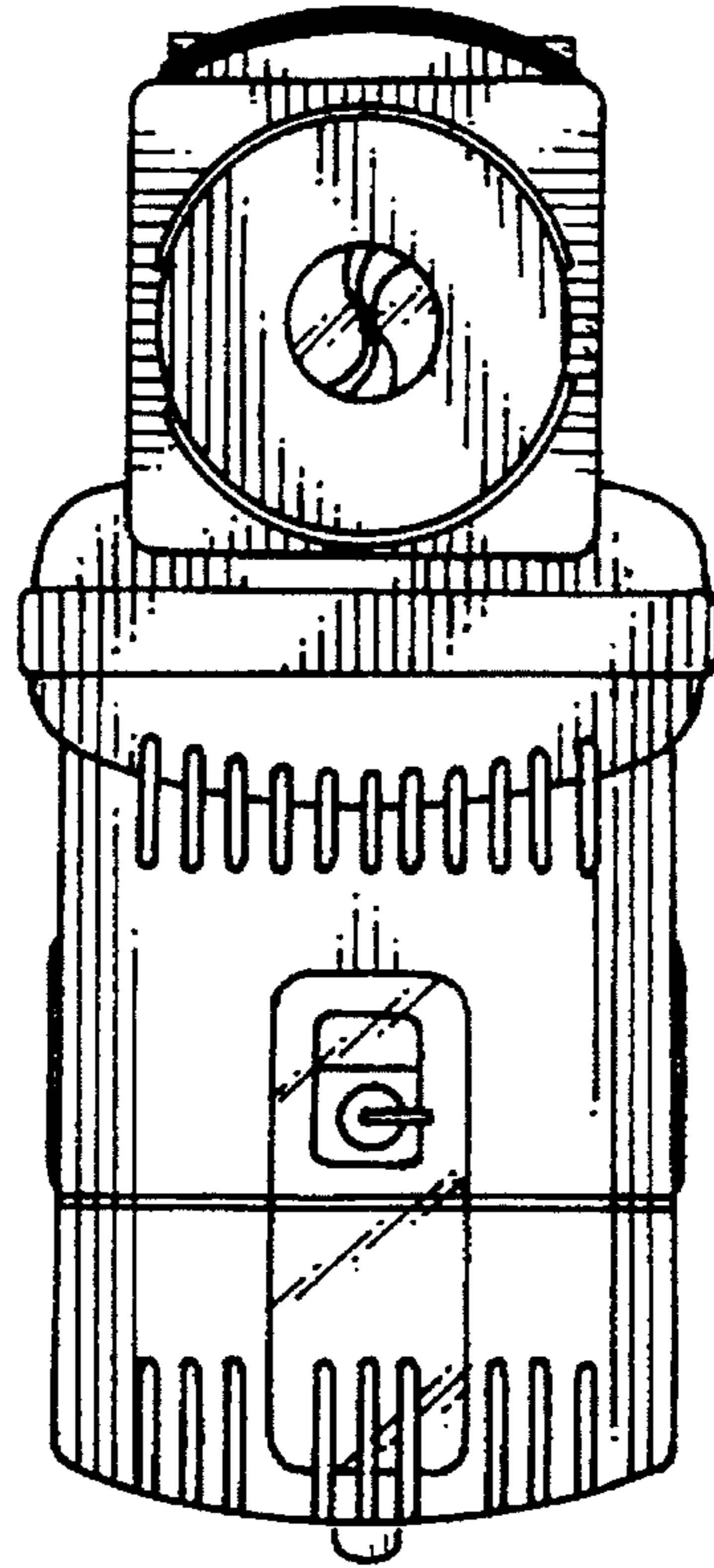


*Fig. 2*

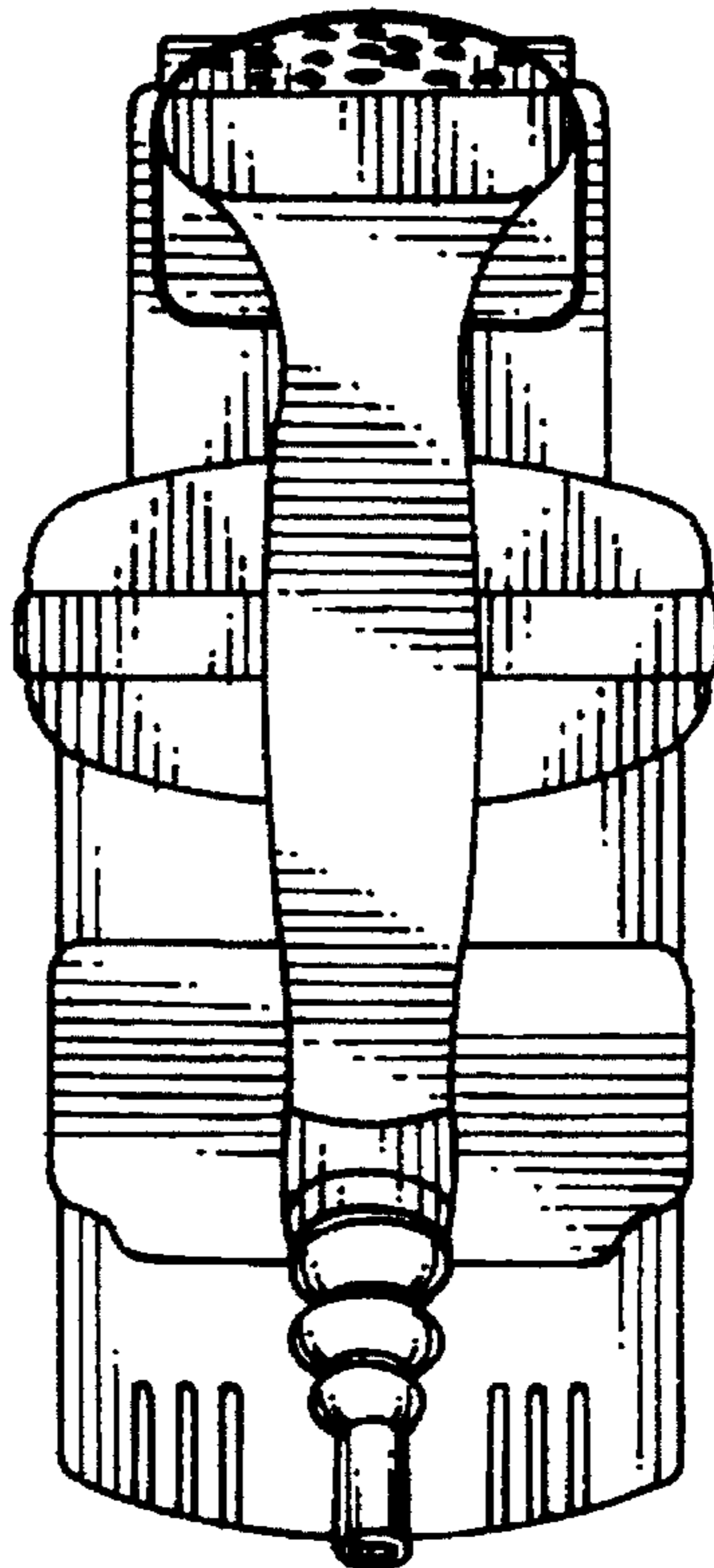
*Fig. 3*



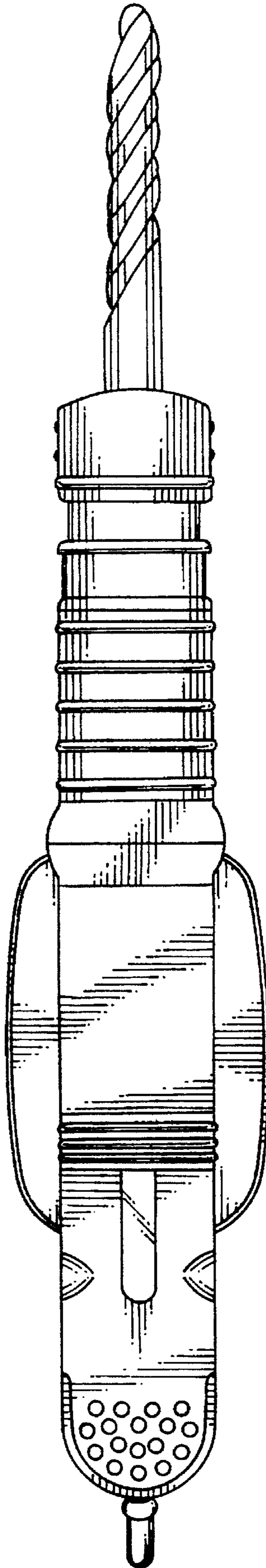
*Fig. 4*



*Fig. 5*



*Fig. 6*



*Fig. 2*

