



US00D378340S

United States Patent [19]

Harter

[11] Patent Number: **Des. 378,340**

[45] Date of Patent: ****Mar. 11, 1997**

[54] TUBING CUTTER

[76] Inventor: **David L. Harter**, 1000 Hill St., P.O. Box 1357, Jacksonville, Oreg. 97530

[**] Term: **14 Years**

[21] Appl. No.: **44,555**

[22] Filed: **Sep. 26, 1995**

[52] U.S. Cl. **D8/60**

[58] Field of Search D8/51, 52, 60, D8/98; 30/98, 99, 100, 101, 102

4,416,062	11/1983	Cummings	30/101
4,438,562	3/1984	Courty	30/101
4,490,909	1/1985	Wachs et al.	30/101
5,088,196	2/1992	Fukuda	30/102
5,315,759	5/1994	Mashata	30/97

Primary Examiner—Philip S. Hyder
Attorney, Agent, or Firm—Dennis H. Lambert

[57] CLAIM

The ornamental design for a tubing cutter, as shown and described.

DESCRIPTION

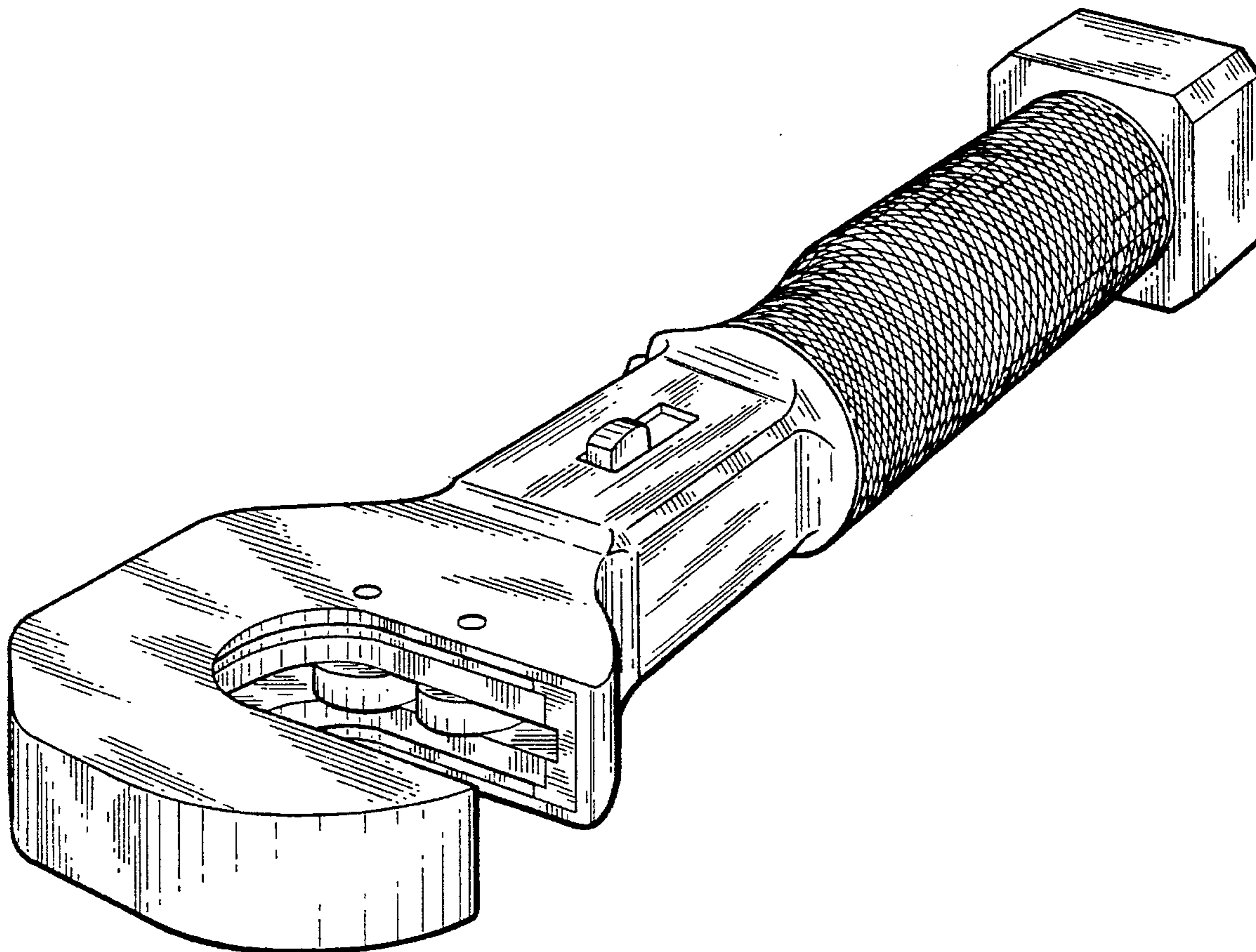
FIG. 1 is a front, top perspective view of the tubing cutter according to the invention;
FIG. 2 is a top plan view thereof;
FIG. 3 is a bottom plan view thereof;
FIG. 4 is a front view in elevation thereof;
FIG. 5 is a rear view in elevation thereof;
FIG. 6 is a left end view thereof, as taken in FIG. 2;
FIG. 7 is a right end view thereof, as taken in FIG. 2; and,
FIG. 8 is a transverse sectional view taken along line 8—8 in FIG. 5.

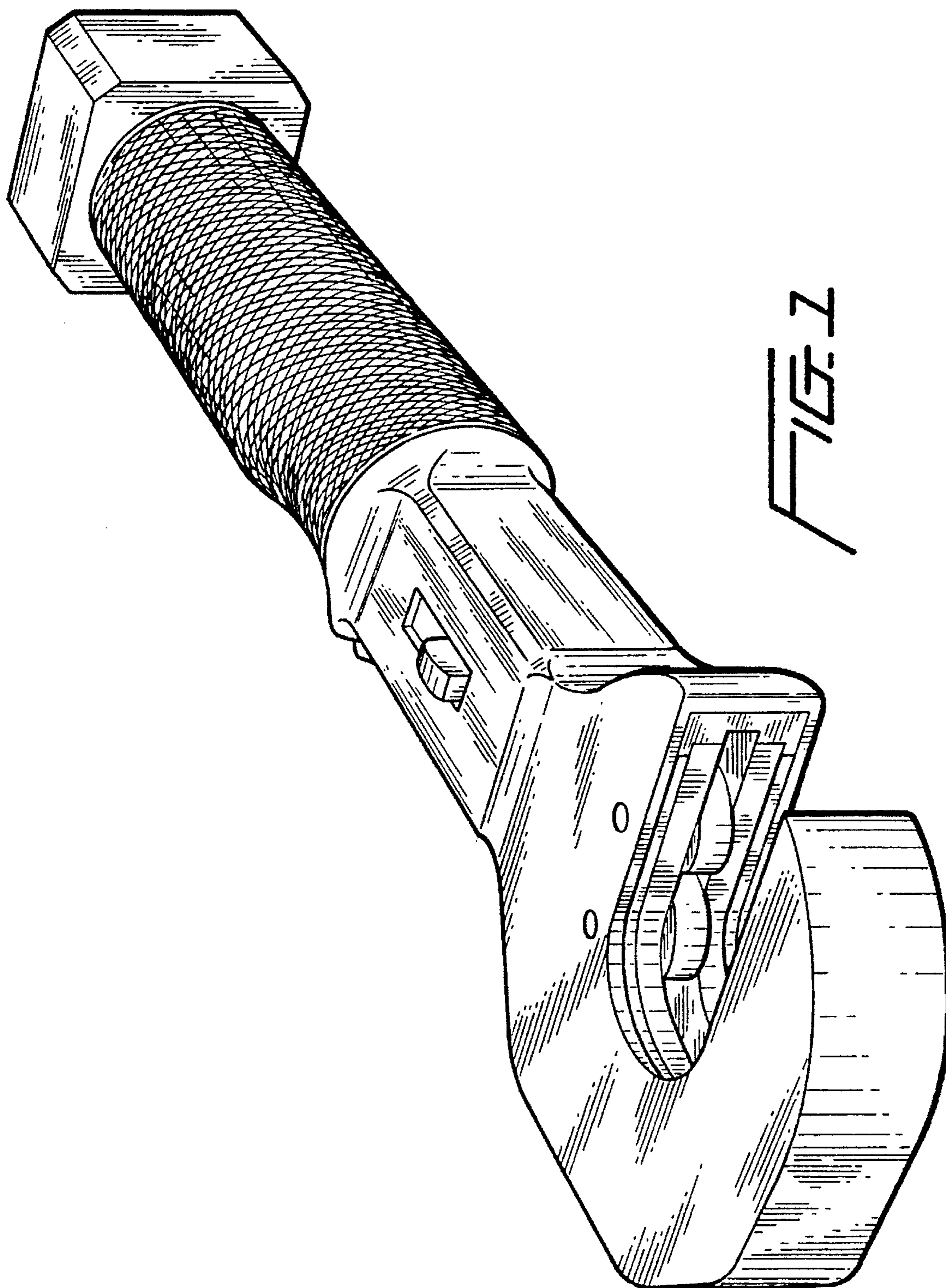
[56] References Cited

U.S. PATENT DOCUMENTS

D. 161,438	1/1951	Franck	D8/60
D. 191,011	8/1961	Noveske	D8/60
D. 192,447	3/1962	Ayer	D8/60
D. 329,793	9/1992	Fukuda	D8/60
3,807,047	4/1974	Sherer et al.	30/97
4,078,304	3/1978	Netzel	30/101
4,103,419	8/1978	Matthews et al.	30/95
4,177,557	12/1979	Courty	30/99
4,305,205	12/1981	Girala	30/99
4,402,136	9/1983	Rast	30/101

1 Claim, 4 Drawing Sheets





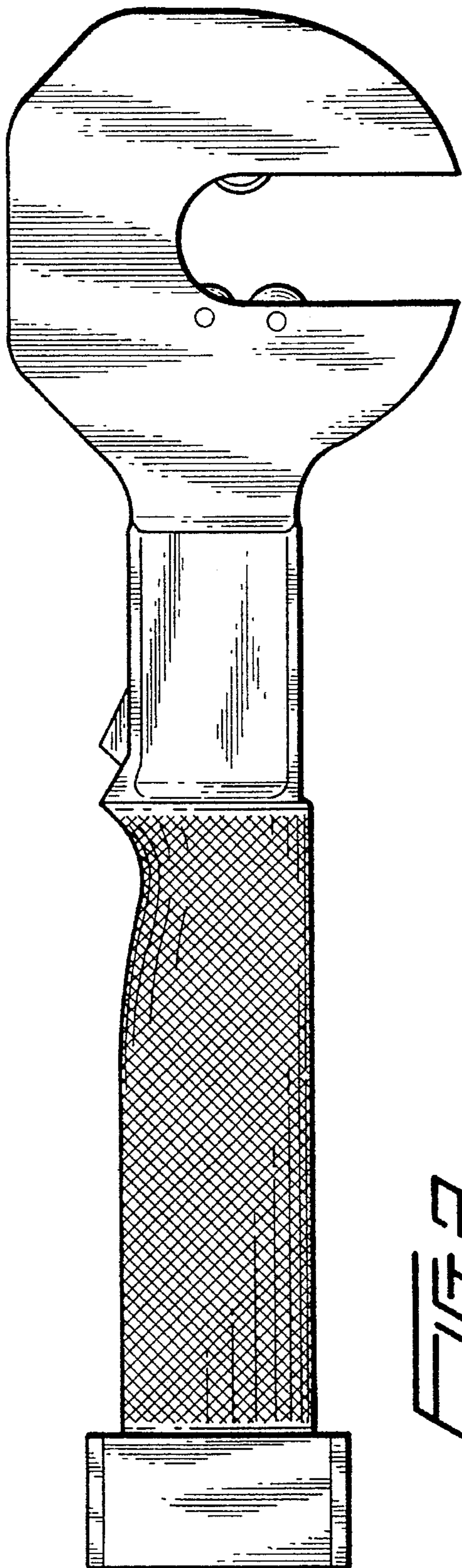


FIG. 2

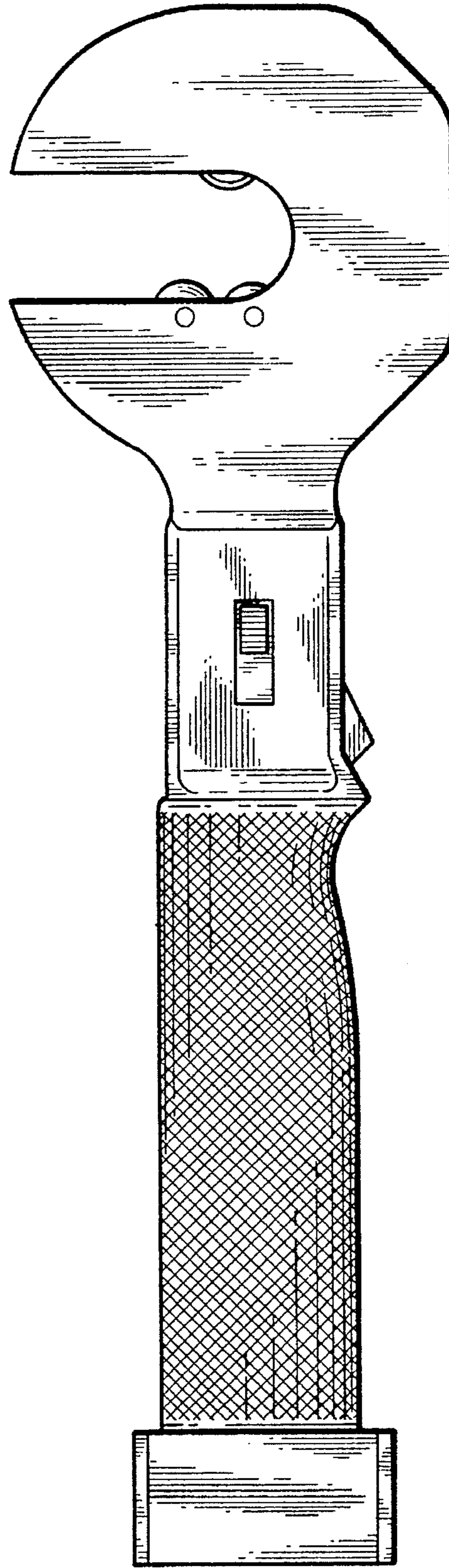


FIG. 3

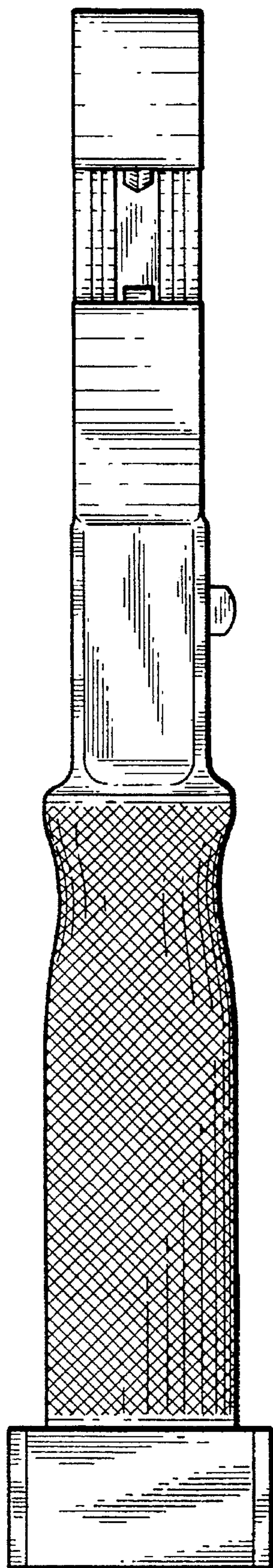


FIG. 4

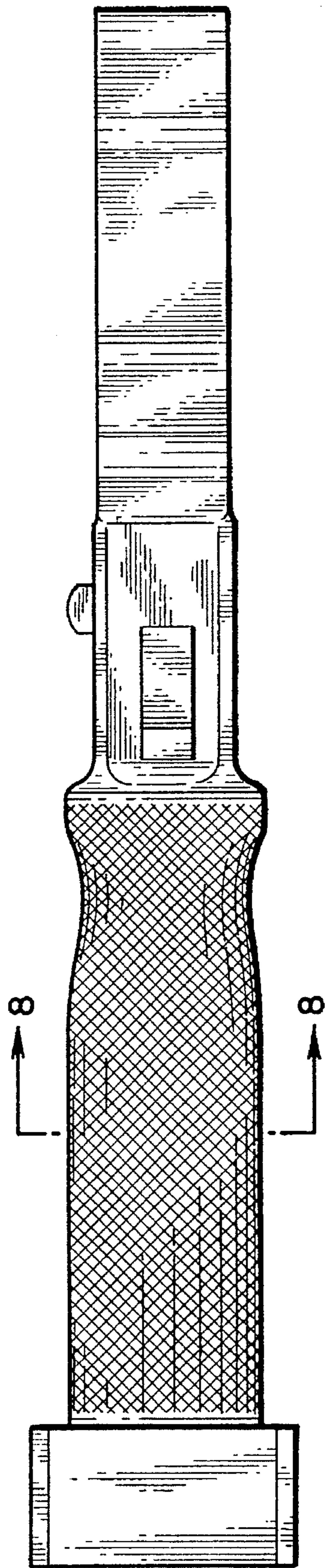


FIG. 5

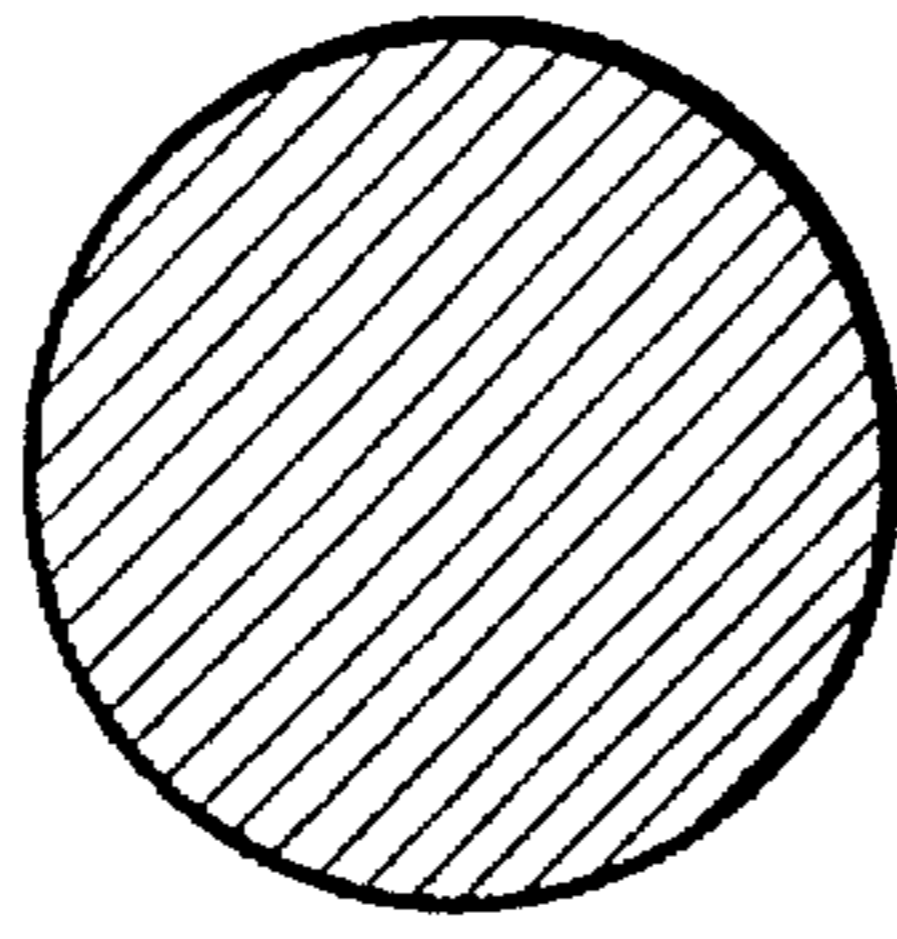


FIG. 8

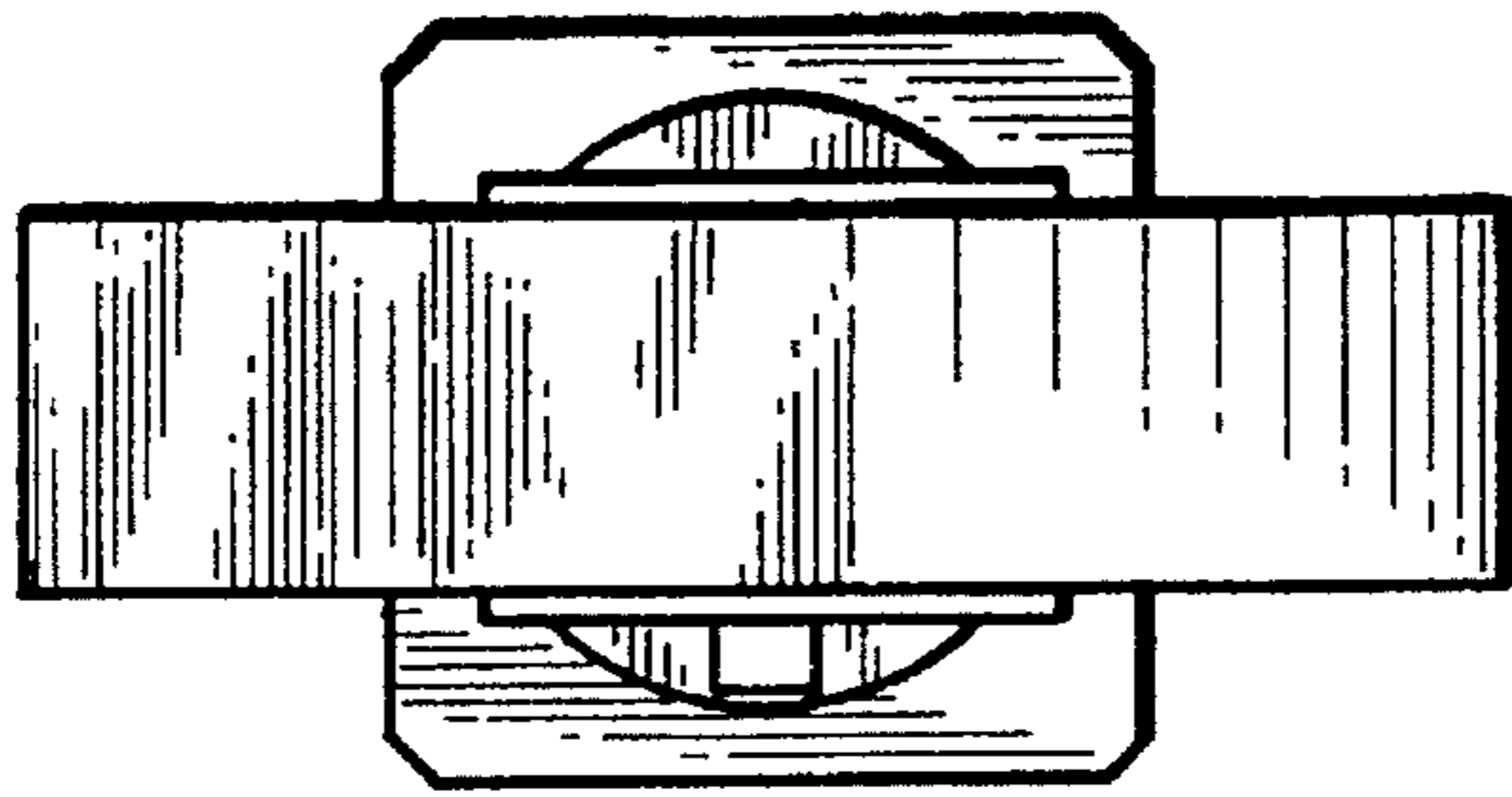


FIG. 7

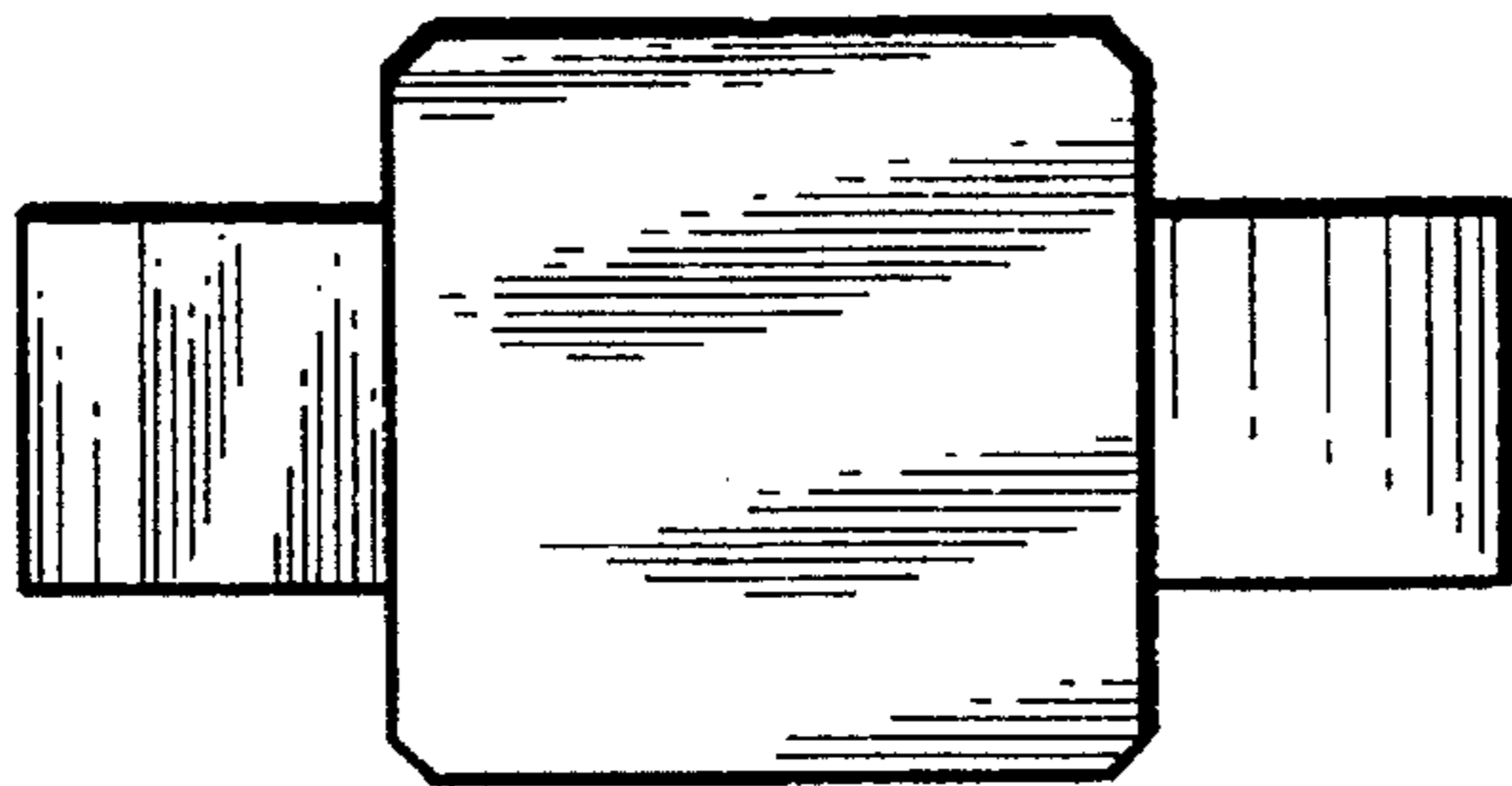


FIG. 6