



US00D378338S

United States Patent [19]

[11] Patent Number: **Des. 378,338**

Acciville et al.

[45] Date of Patent: ****Mar. 11, 1997**

[54] **ELECTRIC POWERED CAULKING GUN**

3,987,939	10/1976	Pedone, Jr. et al.	D8/14.1
4,090,639	5/1978	Campbell et al.	222/43
4,171,072	10/1979	Davis, Jr. .	
4,264,021	4/1981	Davis, Jr. .	
4,615,469	10/1986	Kishi et al. .	

[76] Inventors: **Riccardo Acciville; Frank Acciville**,
both of 5370 Elm Street, Niagara Falls,
Ontario, Canada, L2E-2V6

[**] Term: **14 Years**

Primary Examiner—James M. Gandy
Assistant Examiner—Robert M. Spear
Attorney, Agent, or Firm—Dennis H. Lambert

[21] Appl. No.: **35,339**

[57] **CLAIM**

[22] Filed: **Feb. 24, 1995**

The ornamental design for an electric powered caulking gun,
as shown and described.

[52] U.S. Cl. **D8/14.1; D8/68**

[58] Field of Search D8/14.1; D23/245;
222/43, 309, 323, 325, 326, 327, 386, 391;
425/386, 456, 458

DESCRIPTION

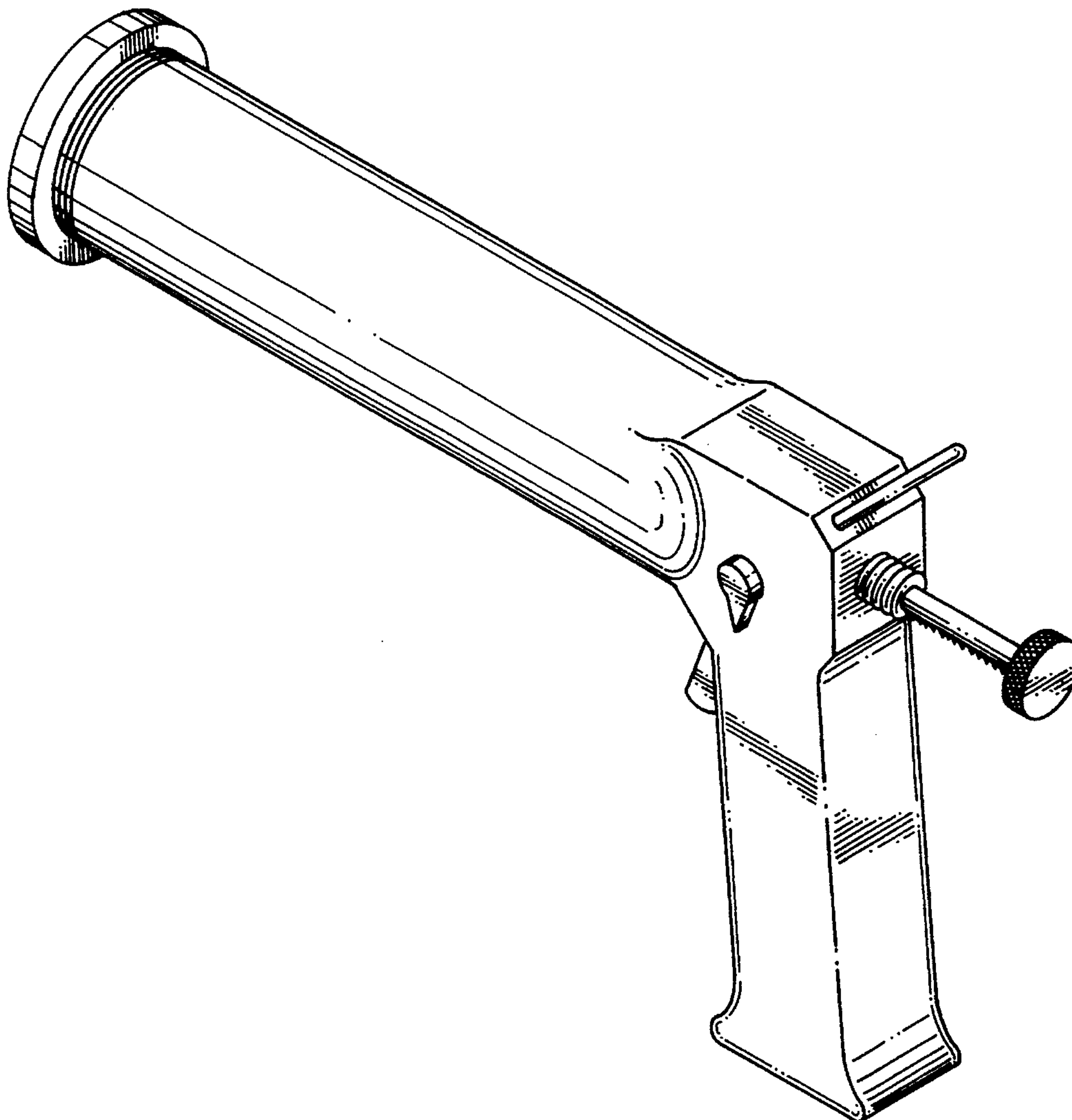
[56] **References Cited**

FIG. 1 is a front, top and side perspective view of the electric
powered caulking gun showing my new design;
FIG. 2 is a front elevational view thereof;
FIG. 3 is a rear elevational view thereof;
FIG. 4 is a left hand side elevational view thereof;
FIG. 5 is a right hand side elevational view thereof;
FIG. 6 is a top plan view thereof; and,
FIG. 7 is a bottom plan view thereof.

U.S. PATENT DOCUMENTS

D. 363,405	10/1995	Elliott, Sr.	D8/14.1
1,630,846	5/1927	Holst	222/391
2,634,692	4/1953	Sherbondy	222/391
2,833,450	5/1958	Sherbondy	D8/14.1
2,833,451	5/1958	Sherbondy	D8/14.1
3,894,663	7/1975	Carhart et al.	222/391

1 Claim, 5 Drawing Sheets



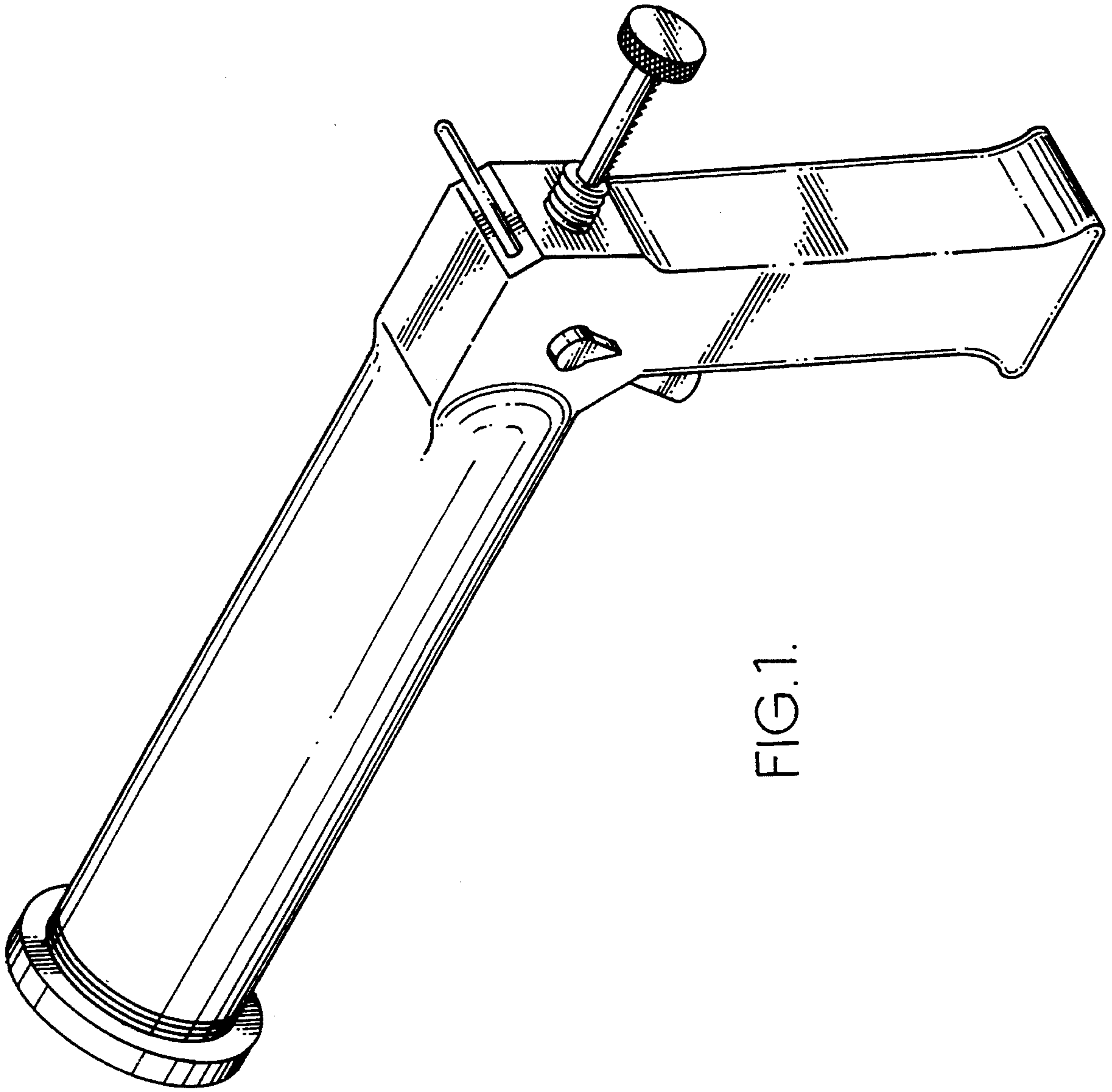


FIG.1.

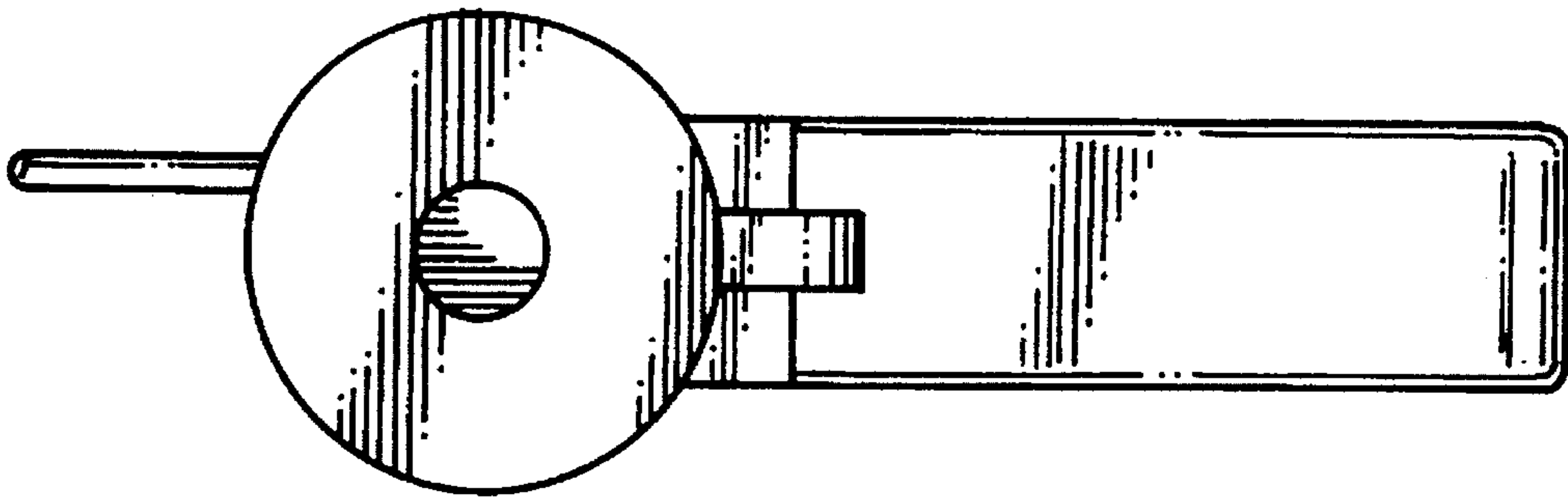


FIG. 3.

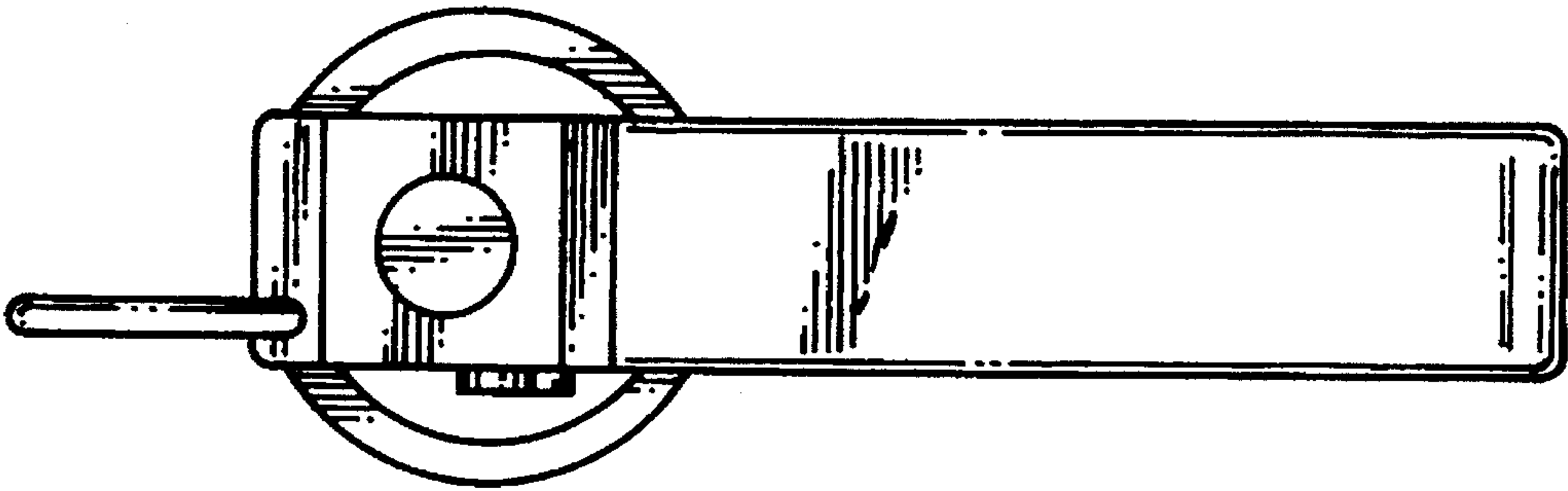


FIG. 2.

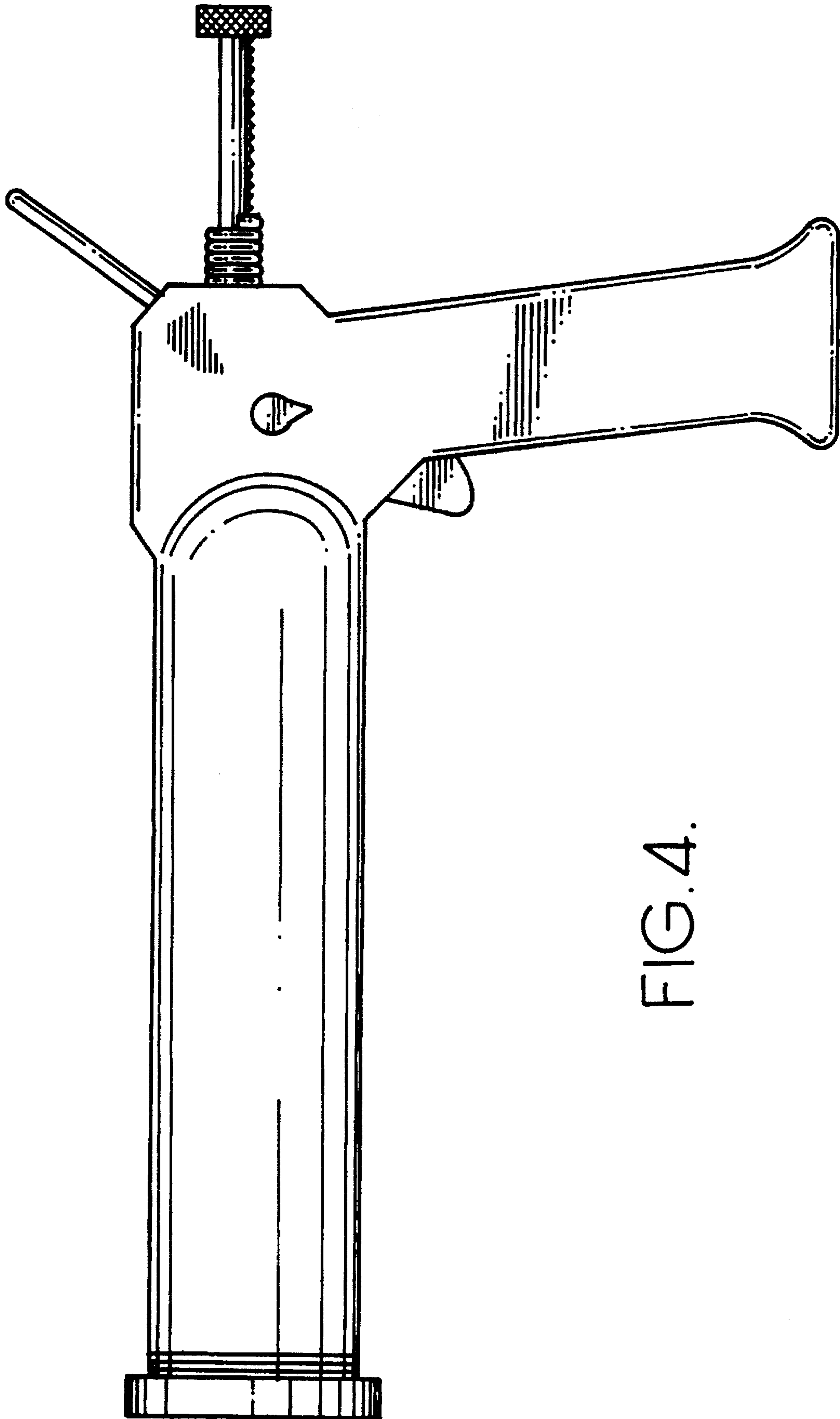


FIG. 4.

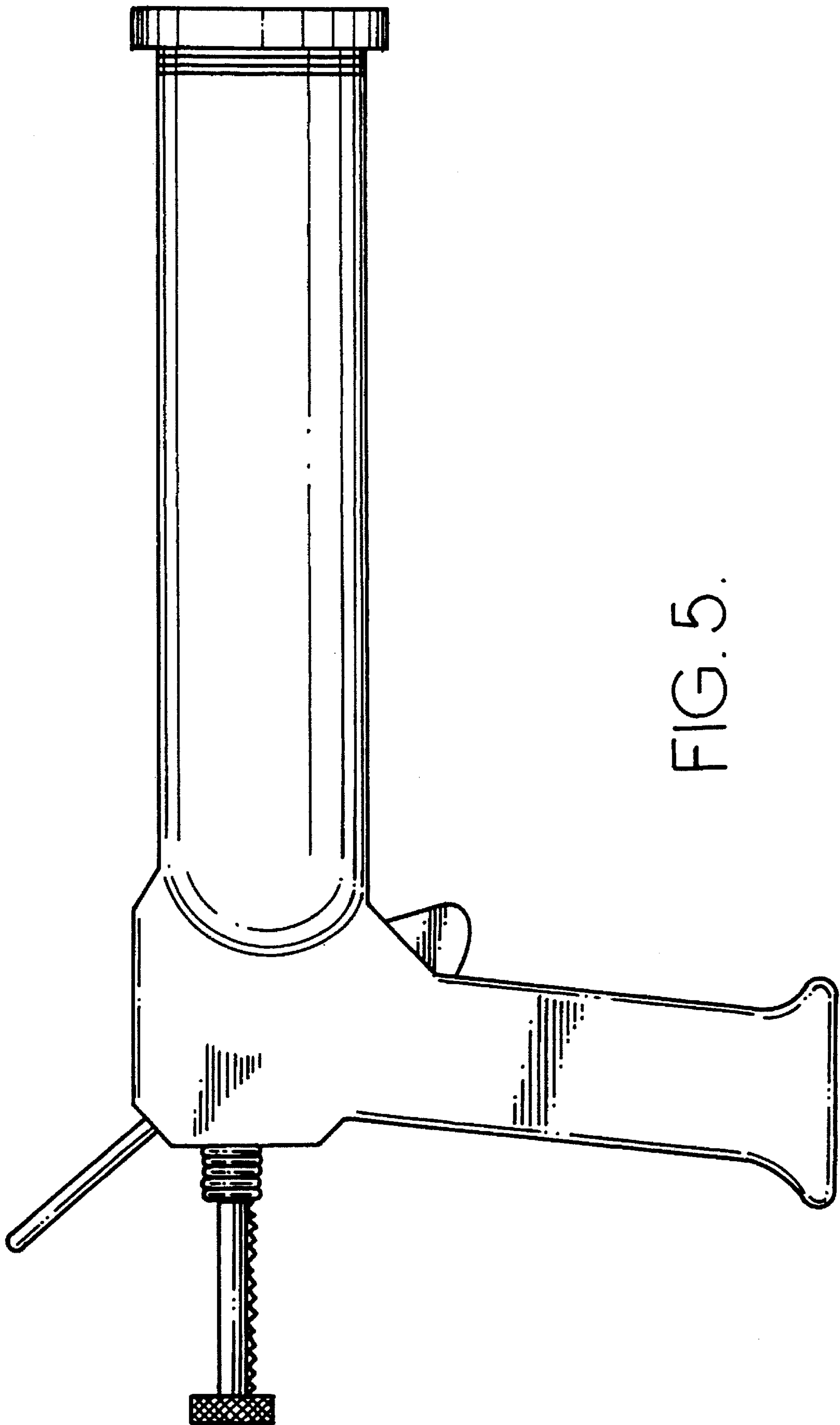


FIG. 5.

FIG. 6.

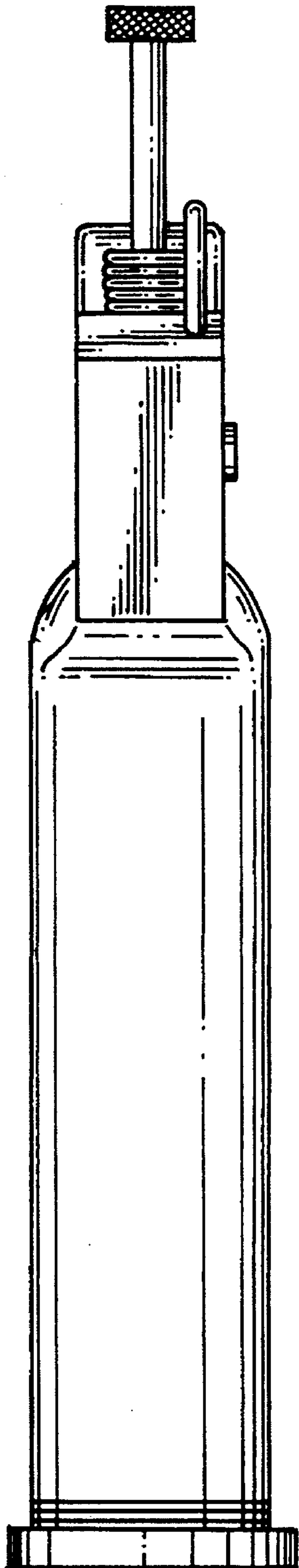


FIG. 7.

