



US00D378334S

# United States Patent [19]

[11] Patent Number: **Des. 378,334**

Legere

[45] Date of Patent: **\*\*Mar. 11, 1997**

## [54] FOLDING PORTABLE CUP HOLDER

## FOREIGN PATENT DOCUMENTS

[76] Inventor: **Scott M. Legere**, 7421 120th Ave.  
North, Largo, Fla. 34643

968761 6/1975 Canada .  
852697 10/1960 United Kingdom .  
1252563 11/1971 United Kingdom .

[\*\*] Term: **14 Years**

*Primary Examiner*—Terry A. Wallace  
*Attorney, Agent, or Firm*—Richard C. Litman

[21] Appl. No.: **52,693**

## [57] CLAIM

[22] Filed: **Apr. 4, 1996**

[52] U.S. Cl. .... **D7/620**

The ornamental design for folding portable cup holder, as shown and described.

[58] Field of Search ..... D7/619, 620; D6/500-503,  
D6/510, 511; 211/71, 74; 224/275, 926;  
248/311.2, 313; 297/188.01, 188.14, 188.15,  
188.16, 188.18

## DESCRIPTION

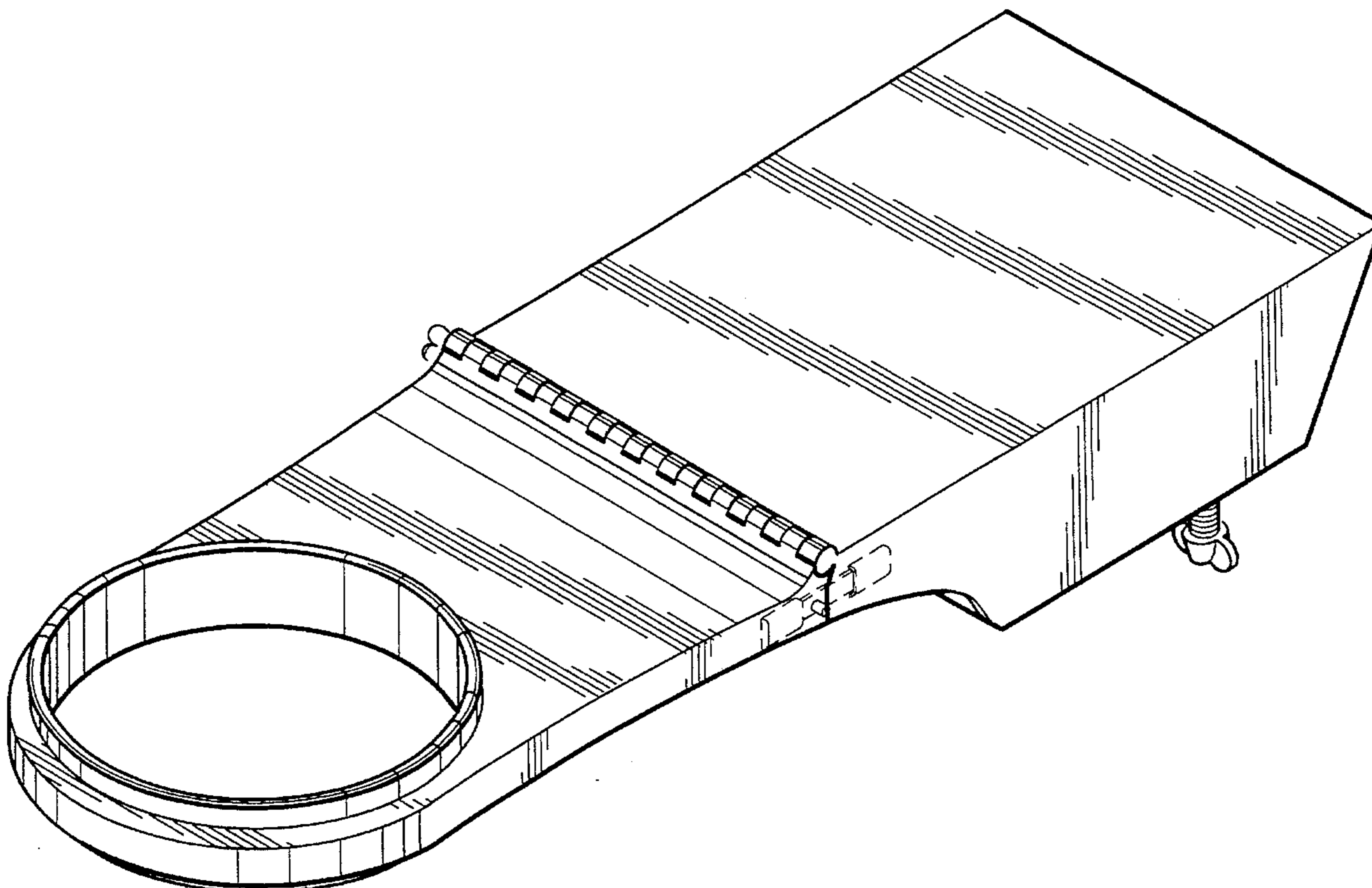
## [56] References Cited

### U.S. PATENT DOCUMENTS

D. 353,289 12/1994 Ayotte et al. .... D7/620 X  
D. 361,475 8/1995 Strong ..... D7/620  
4,863,134 9/1989 Young et al. .  
5,238,212 8/1993 Dechellis .  
5,284,314 2/1994 Misaras et al. .  
5,302,000 4/1994 Ayotte .  
5,356,107 10/1994 Sinohuiz .  
5,395,085 3/1995 Mann .  
5,474,272 12/1995 Thompson et al. .... 248/311.2

FIG. 1 is an environmental perspective view of a folding portable cup holder showing my new design;  
FIG. 2 is an environmental perspective view thereof;  
FIG. 3 is a top plan view thereof;  
FIG. 4 is a bottom plan view thereof;  
FIG. 5 is a right side elevational view thereof;  
FIG. 6 is a left side elevational view thereof;  
FIG. 7 is a front elevational view thereof; and,  
FIG. 8 is a rear elevational view thereof.  
The broken line showing of the chair and the cup in FIG. 1 and the latch in FIG. 2 is for illustrative purposes only and forms no part of the claimed design.

**1 Claim, 4 Drawing Sheets**



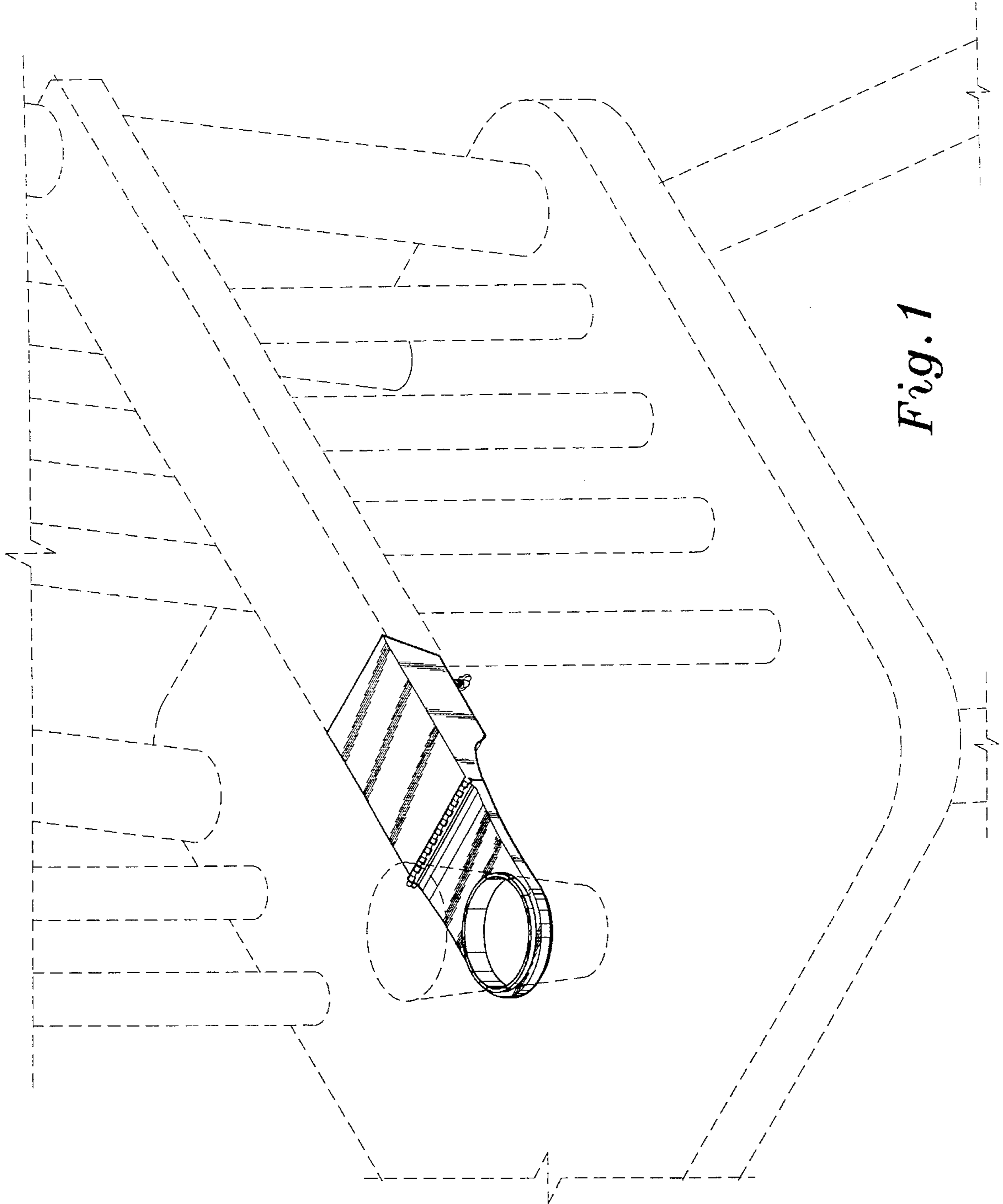


Fig. 1

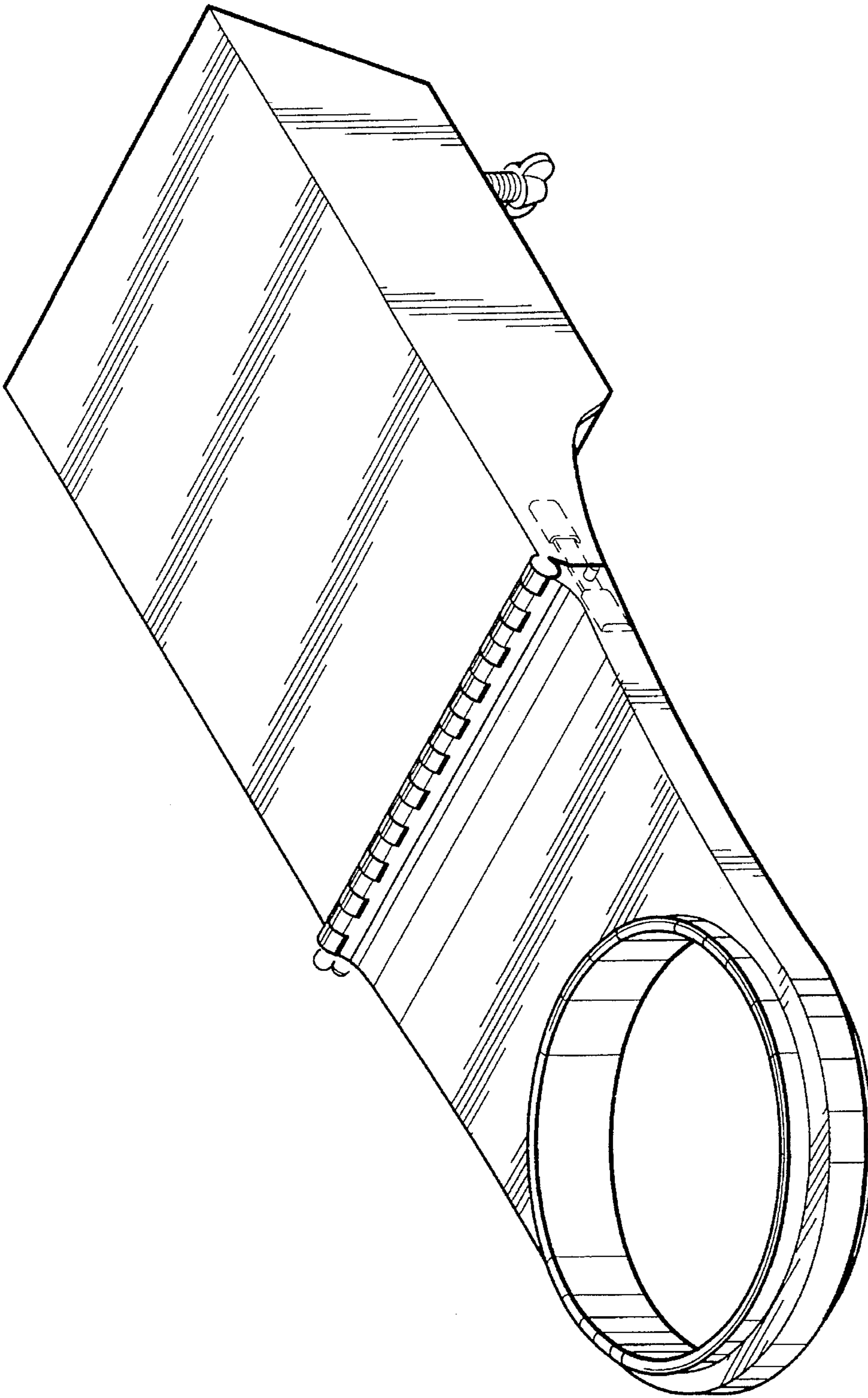
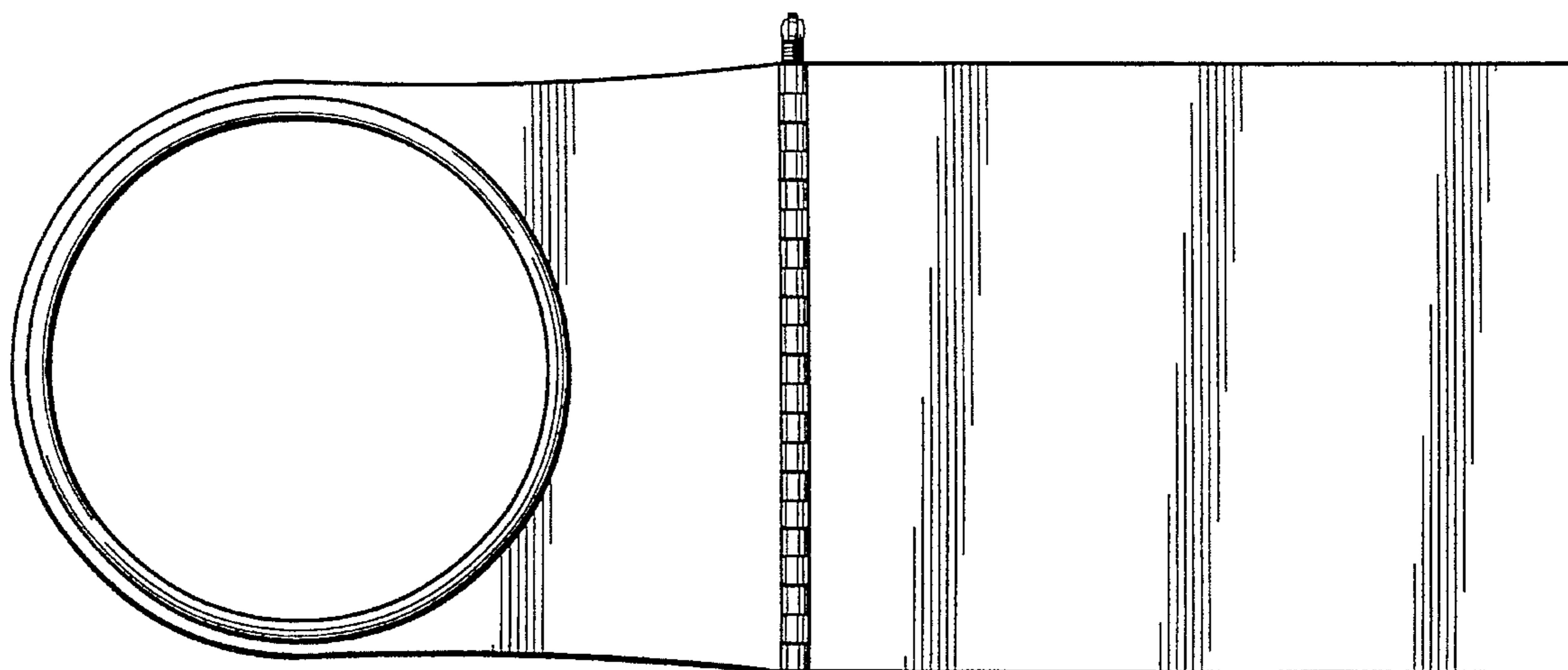
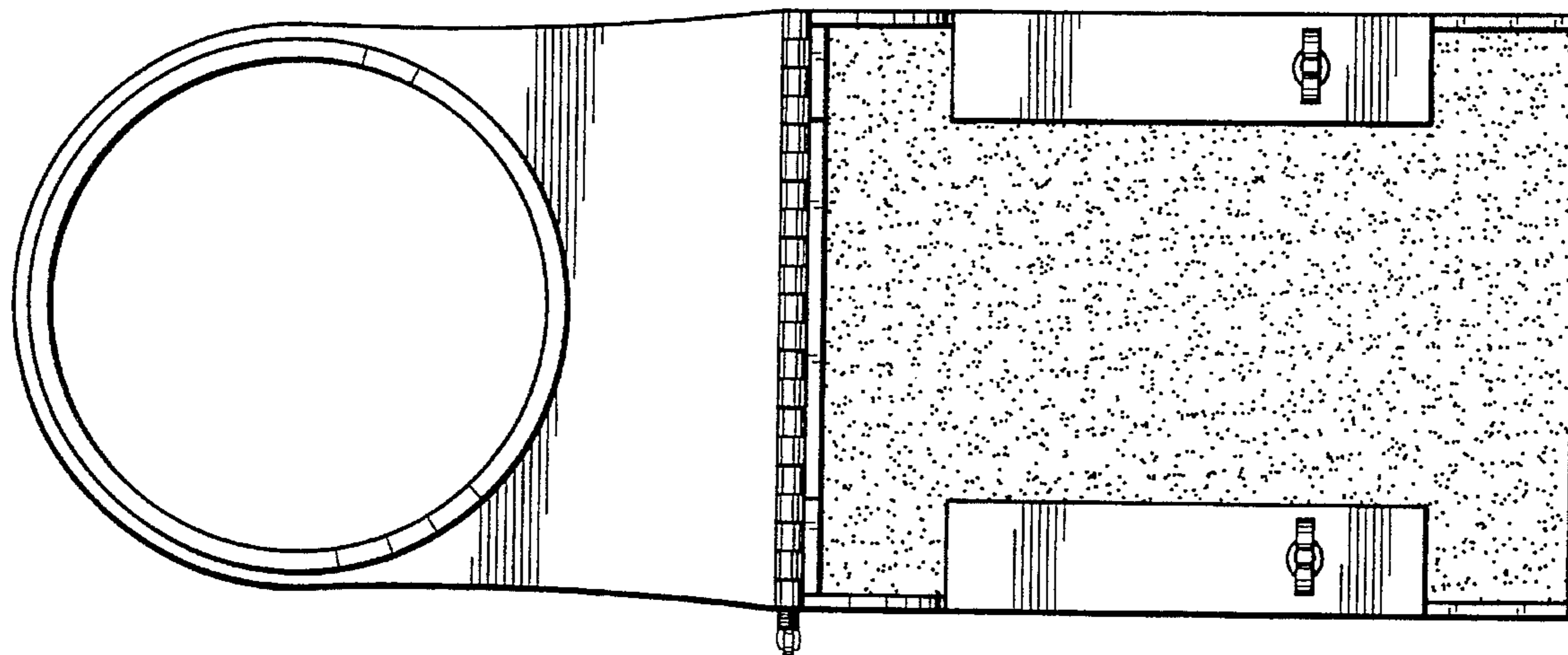


Fig. 2

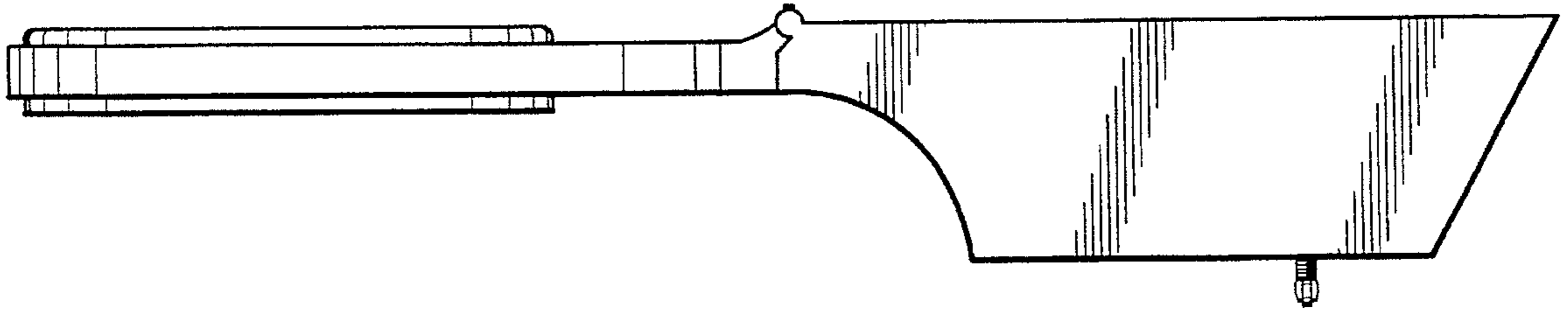




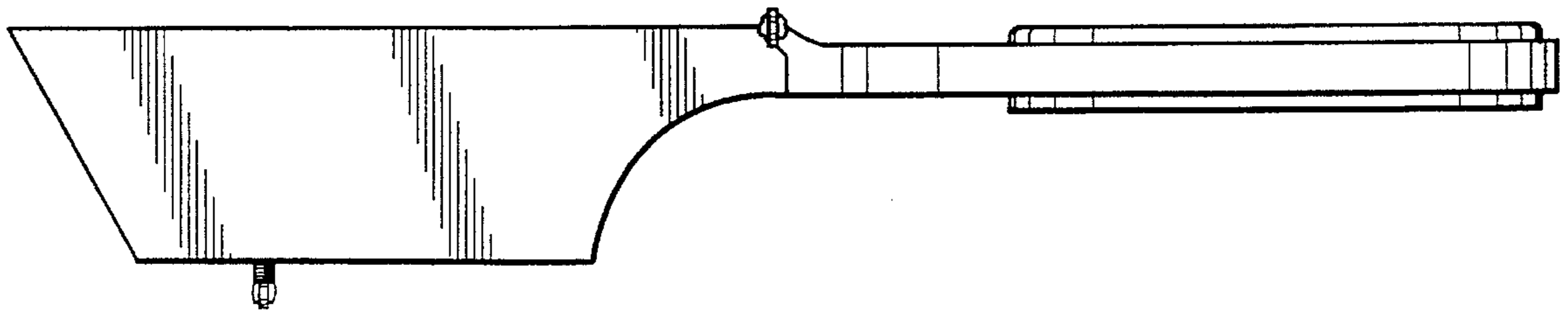
*Fig. 3*



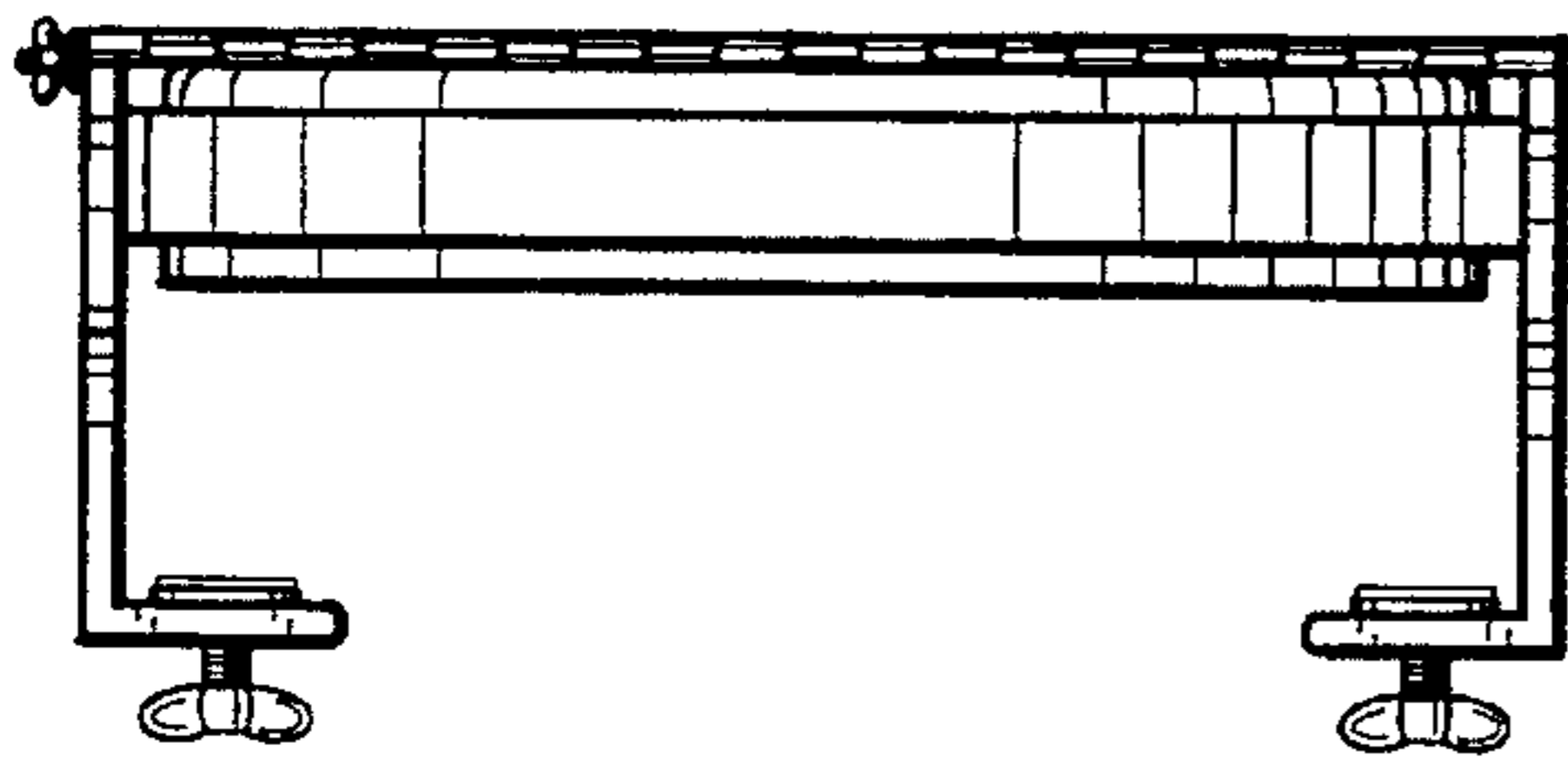
*Fig. 4*



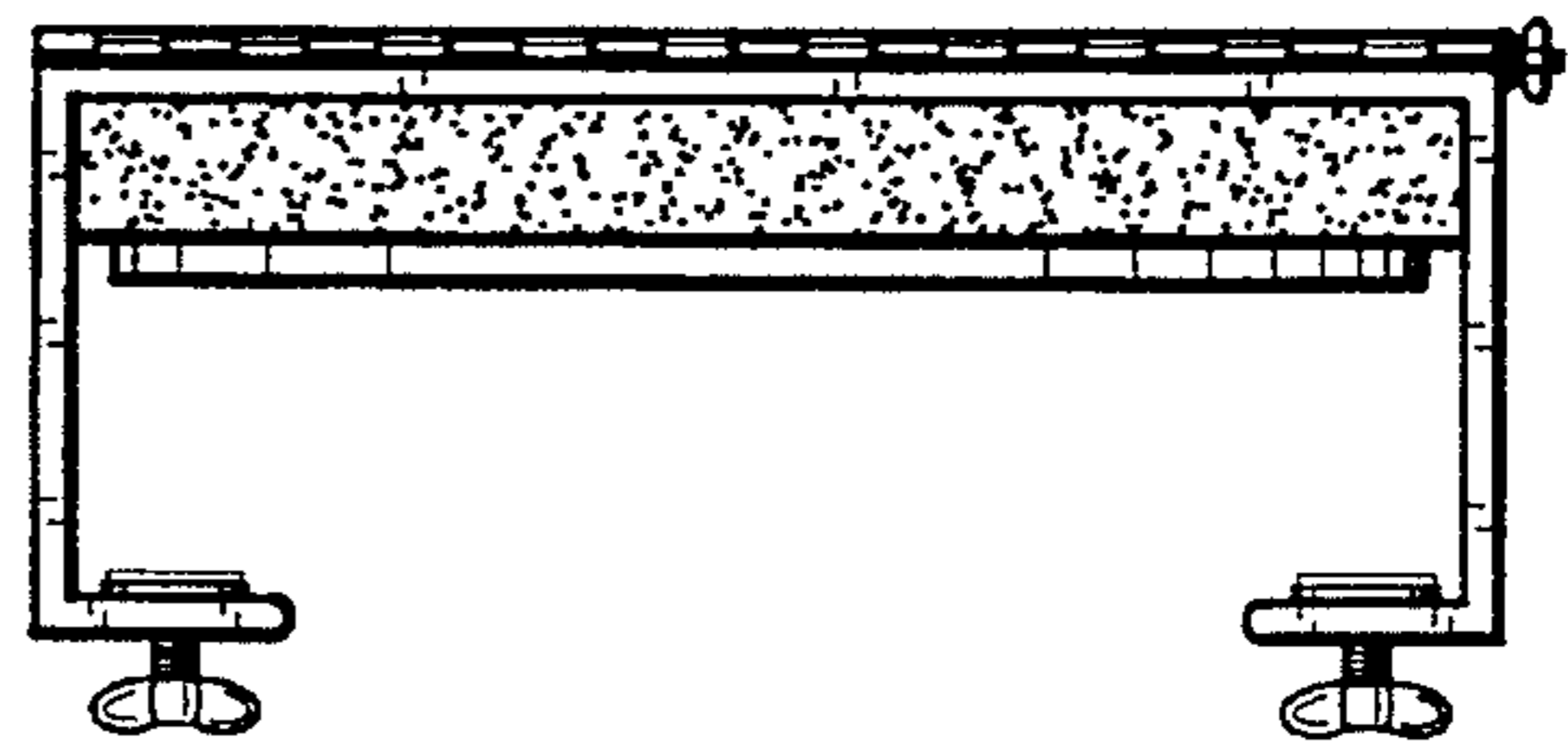
*Fig. 5*



*Fig. 6*



*Fig. 7*



*Fig. 8*