



US00D378328S

United States Patent [19]

Albaisa

[11] Patent Number: **Des. 378,328**

[45] Date of Patent: ****Mar. 11, 1997**

[54] **CHAIR**

[75] Inventor: **Alfonso E. Albaisa**, San Diego, Calif.

[73] Assignee: **Manuel C. Turchan**, Dearborn, Mich.

[**] Term: **14 Years**

[21] Appl. No.: **43,759**

[22] Filed: **Sep. 12, 1995**

[52] U.S. Cl. **D6/380; D6/371; D6/373; D6/374**

[58] Field of Search **D6/334, 371, 373, D6/374, 376, 380, 500, 501, 502; 297/452.21, 452.22**

[56] **References Cited**

U.S. PATENT DOCUMENTS

- D. 147,615 10/1947 Eames D6/374 X
- D. 151,317 10/1948 Benson D6/371
- D. 224,857 10/1972 Mazure D6/373 X

- D. 247,596 3/1978 Hashimoto D6/371
- D. 295,588 5/1988 Heitlinger et al. D6/380
- D. 341,954 12/1993 Thompson D6/374

Primary Examiner—Gary D. Watson
Attorney, Agent, or Firm—Milad G. Shara

[57] **CLAIM**

The ornamental design for a chair, as shown.

DESCRIPTION

FIG. 1 is a front perspective view of a chair showing applicant's new design;
 FIG. 2 is a rear perspective view thereof;
 FIG. 3 is a front view thereof;
 FIG. 4 is a rear view thereof;
 FIG. 5 is a side view thereof;
 FIG. 6 is a top plan view thereof; and,
 FIG. 7 is a bottom view thereof.

1 Claim, 3 Drawing Sheets

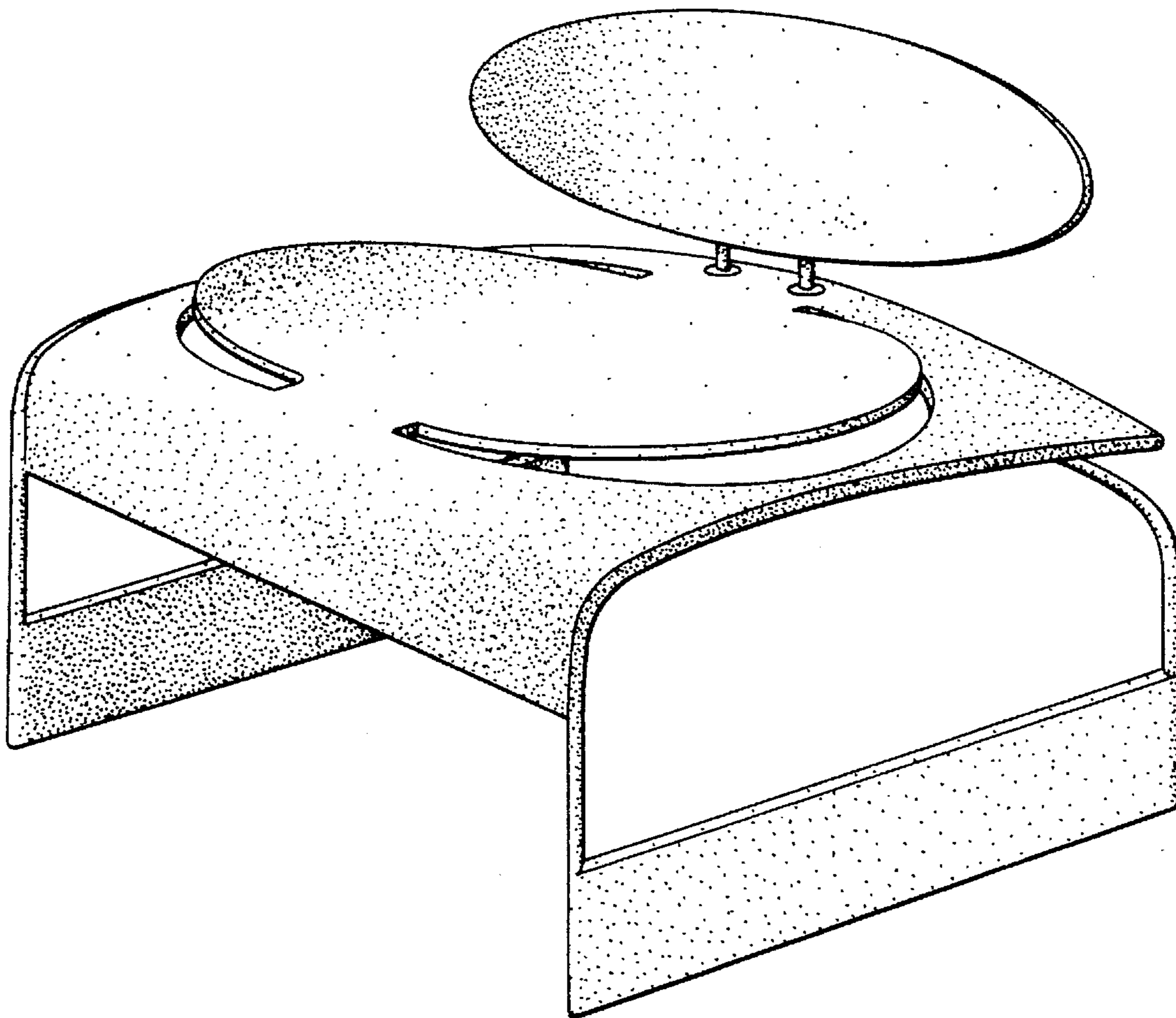


FIG 1

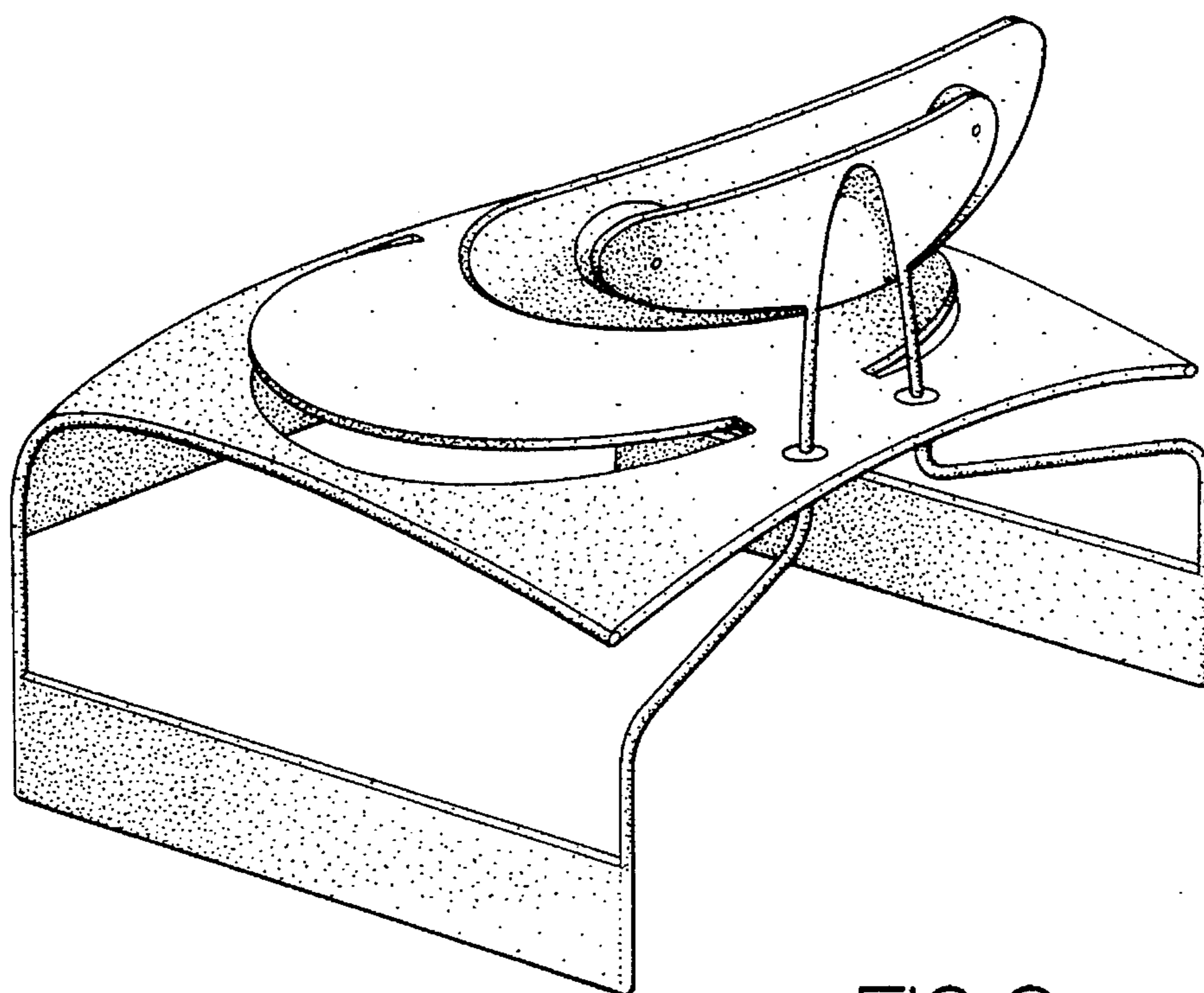
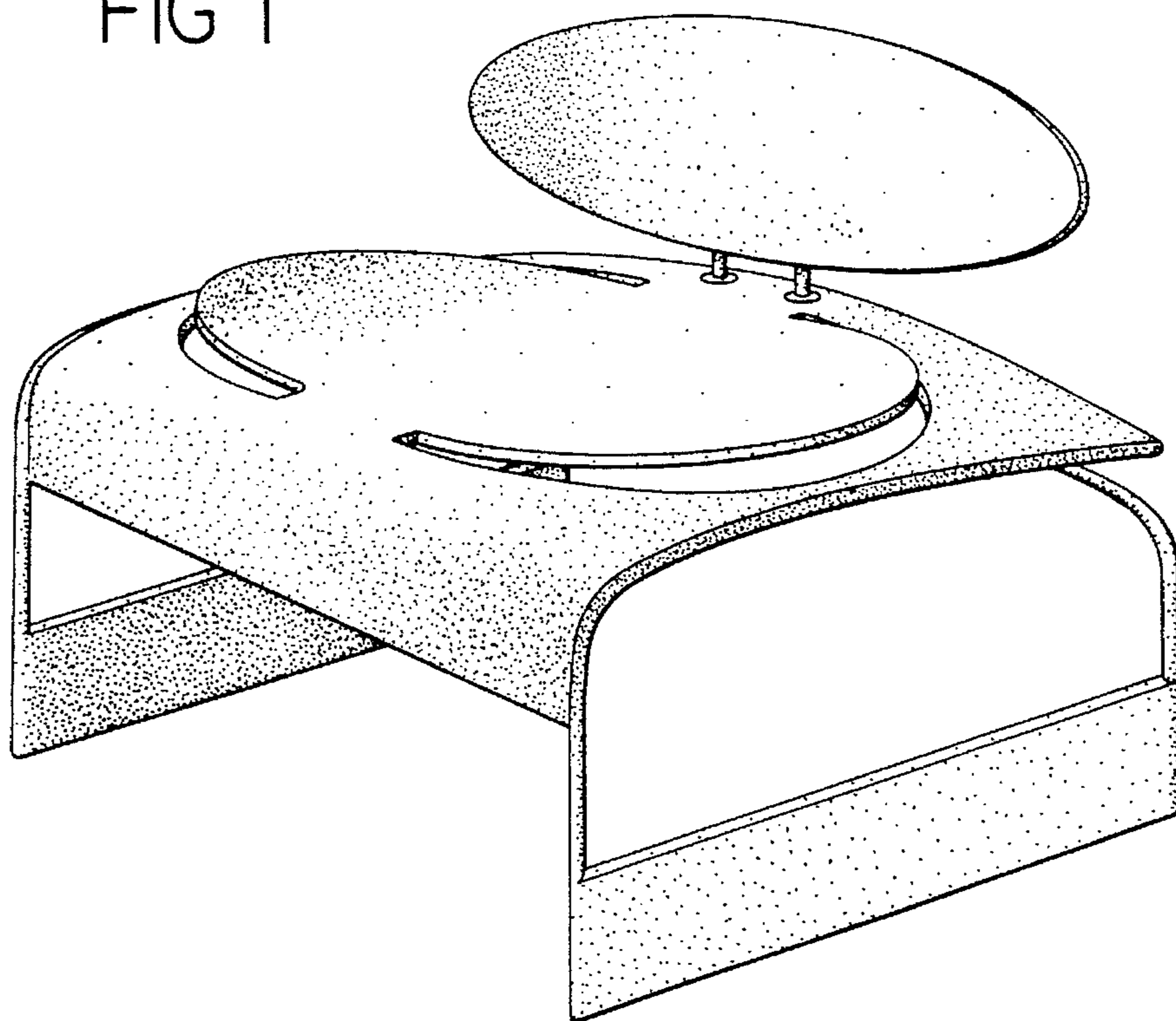


FIG 2

FIG 3

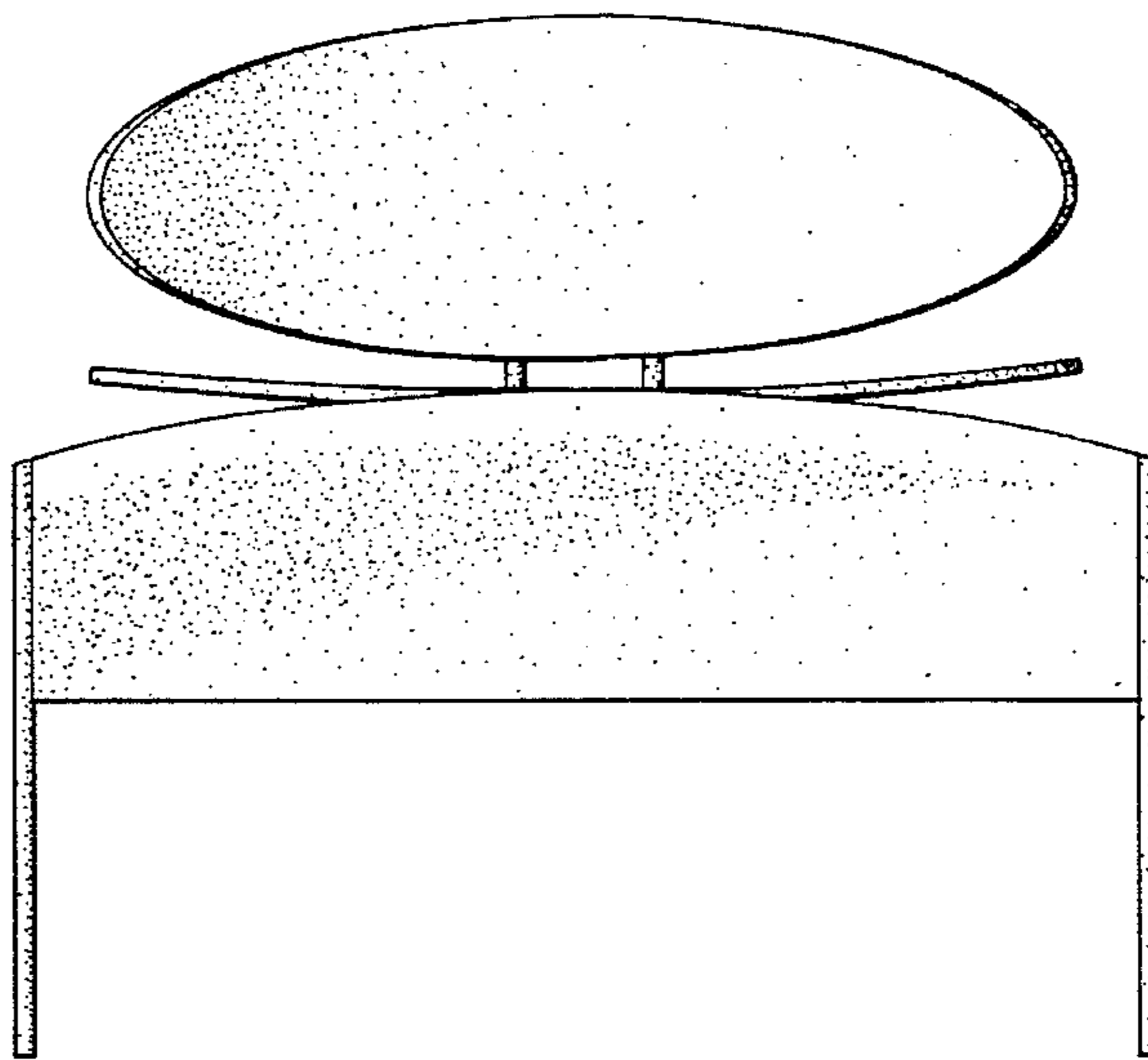


FIG 4

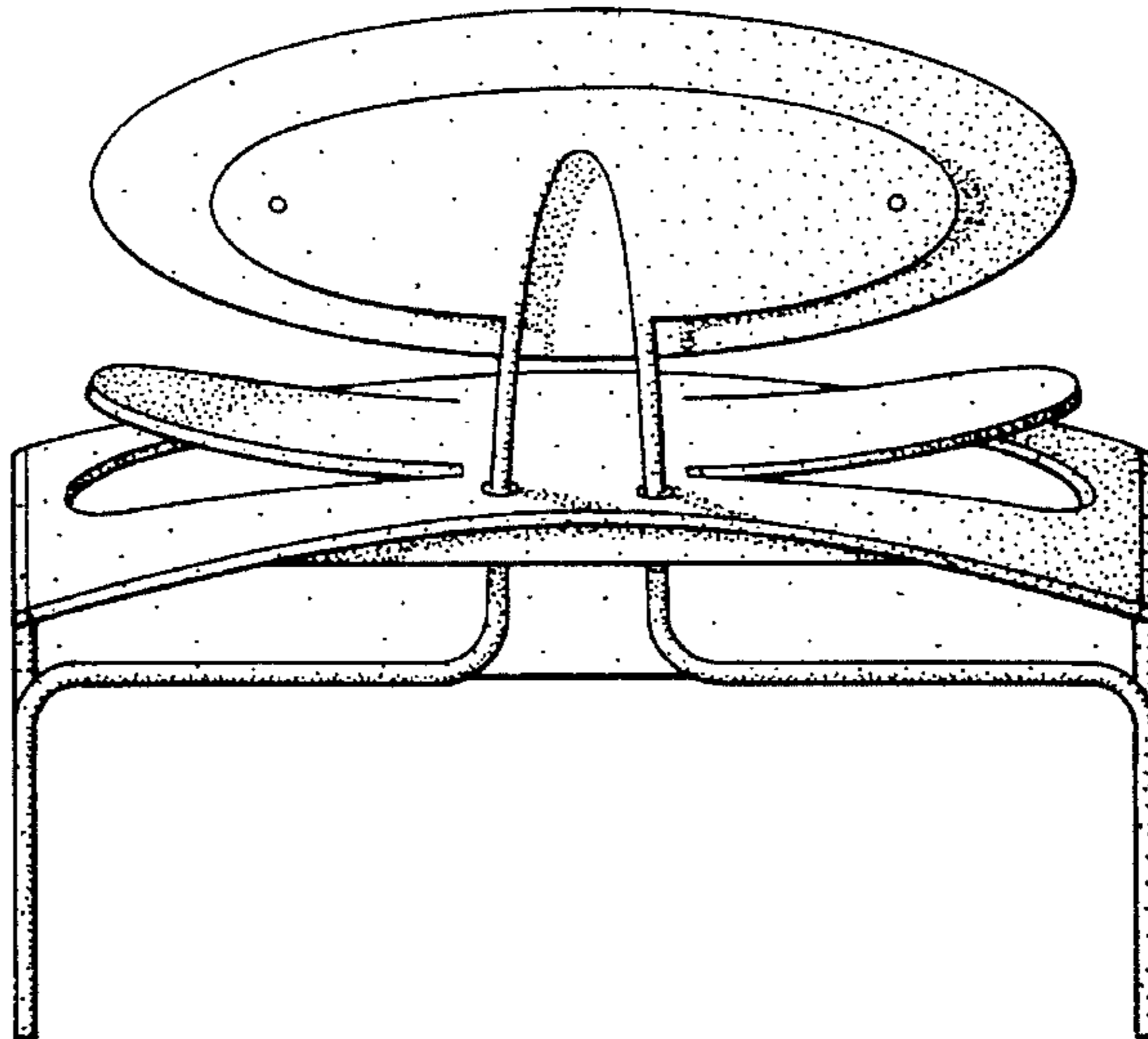


FIG 5

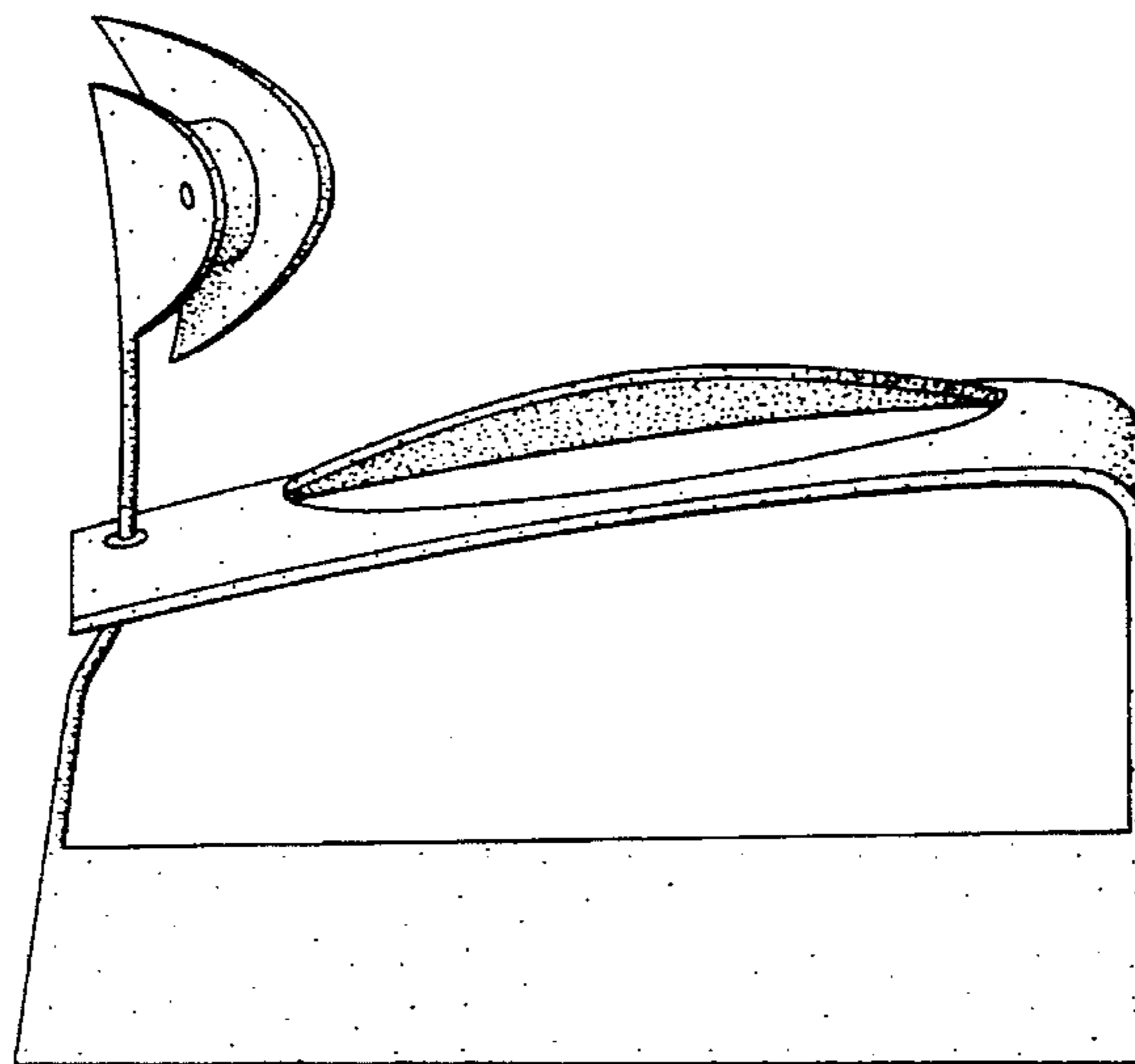


FIG 6

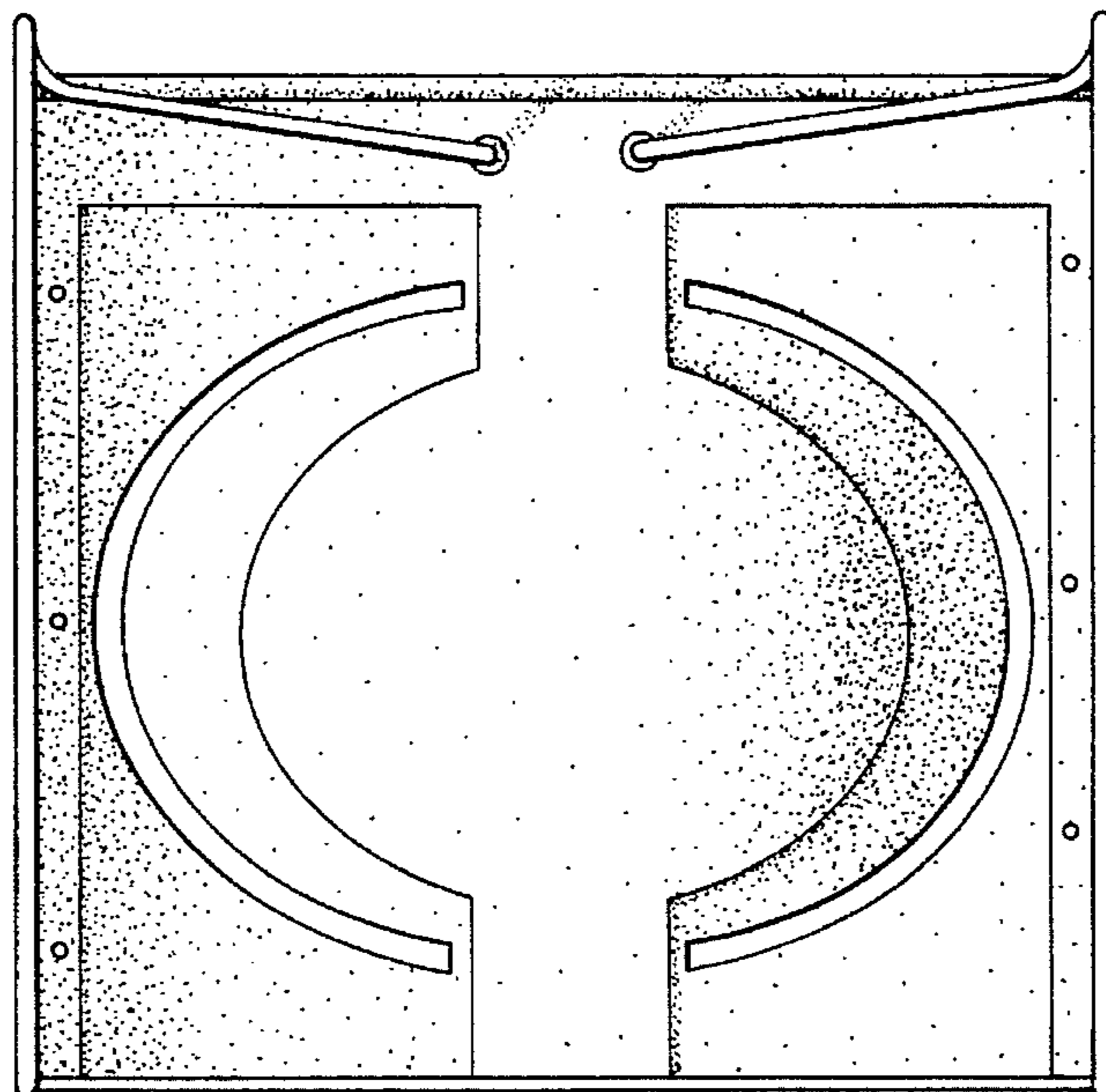
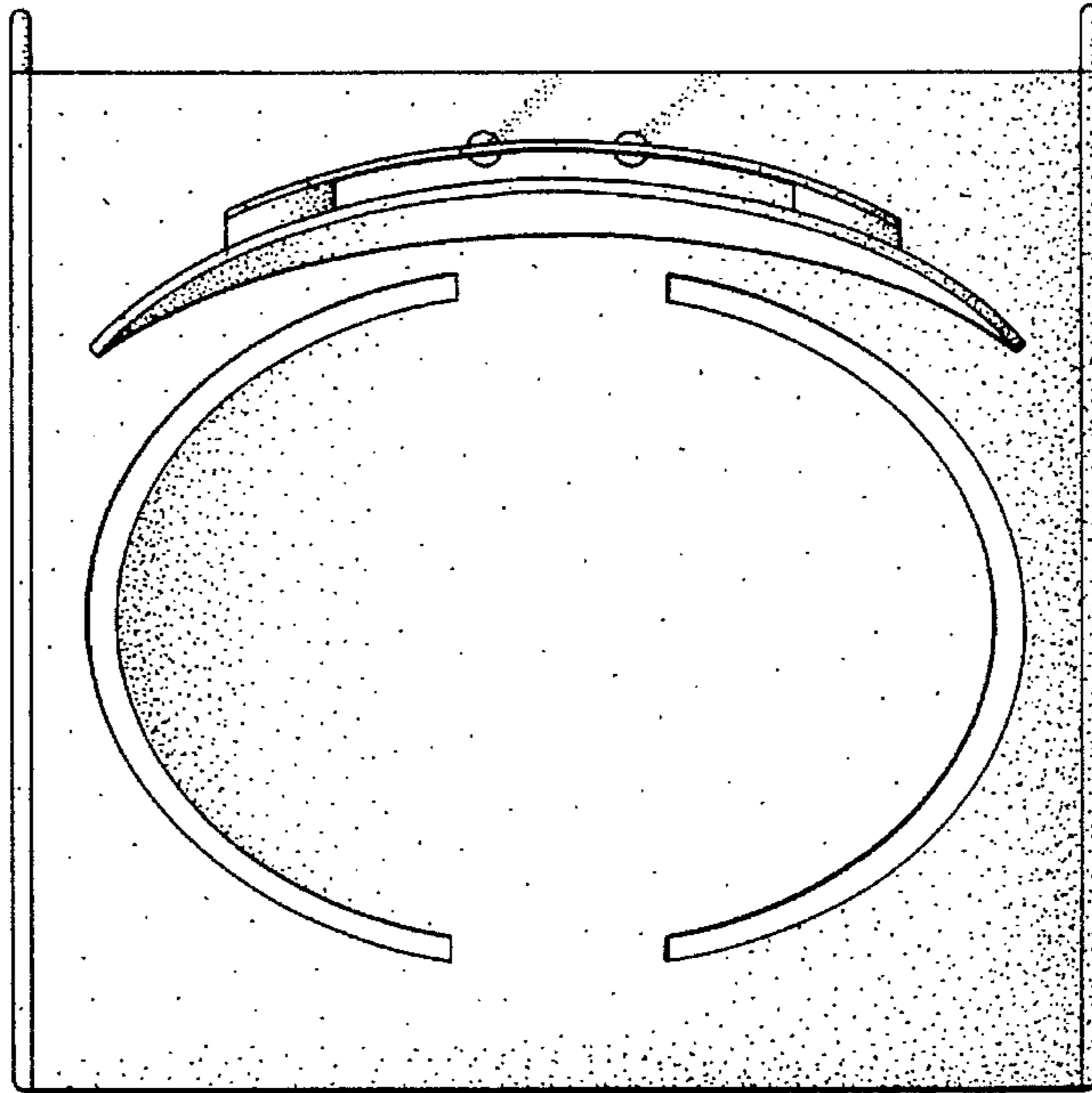


FIG 7