



US00D378325S

United States Patent [19]

[11] Patent Number: **Des. 378,325**

Camp, Jr.

[45] Date of Patent: ****Mar. 11, 1997**

[54] **DECK BRUSH HANDLE**

3,629,894	12/1971	Stefany .
3,717,896	2/1973	Chase et al. .
4,384,383	5/1983	Bryant .
4,486,913	12/1984	Kubick .

[75] Inventor: **William P. Camp, Jr.,** Wooster, Ohio

[73] Assignee: **The Wooster Brush Company,**
Wooster, Ohio

[**] Term: **14 Years**

Primary Examiner—A. Hugo Word
Assistant Examiner—Lavone D. Tabor
Attorney, Agent, or Firm—Renner, Otto, Boisselle & Sklar,
P.L.L.

[21] Appl. No.: **49,862**

[57] CLAIM

[22] Filed: **Feb. 1, 1996**

The ornamental design for a deck brush handle, as shown and described.

[52] U.S. Cl. **D4/138**

[58] Field of Search D4/130, 132, 135,
D4/138, 199, 122; 15/145, 146, 159.1,
160, 171, 176.1, 176.2, 186, 187

DESCRIPTION

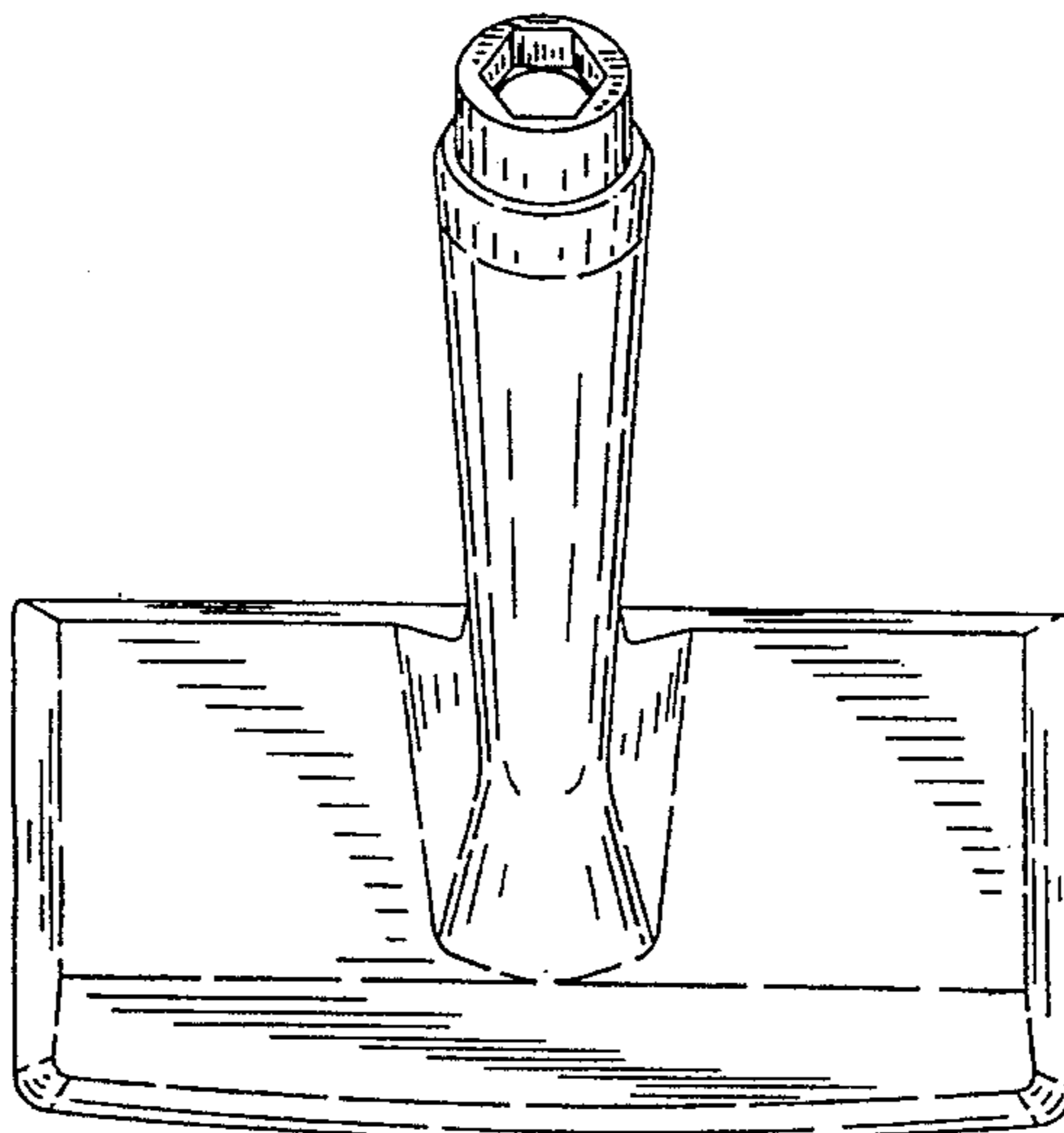
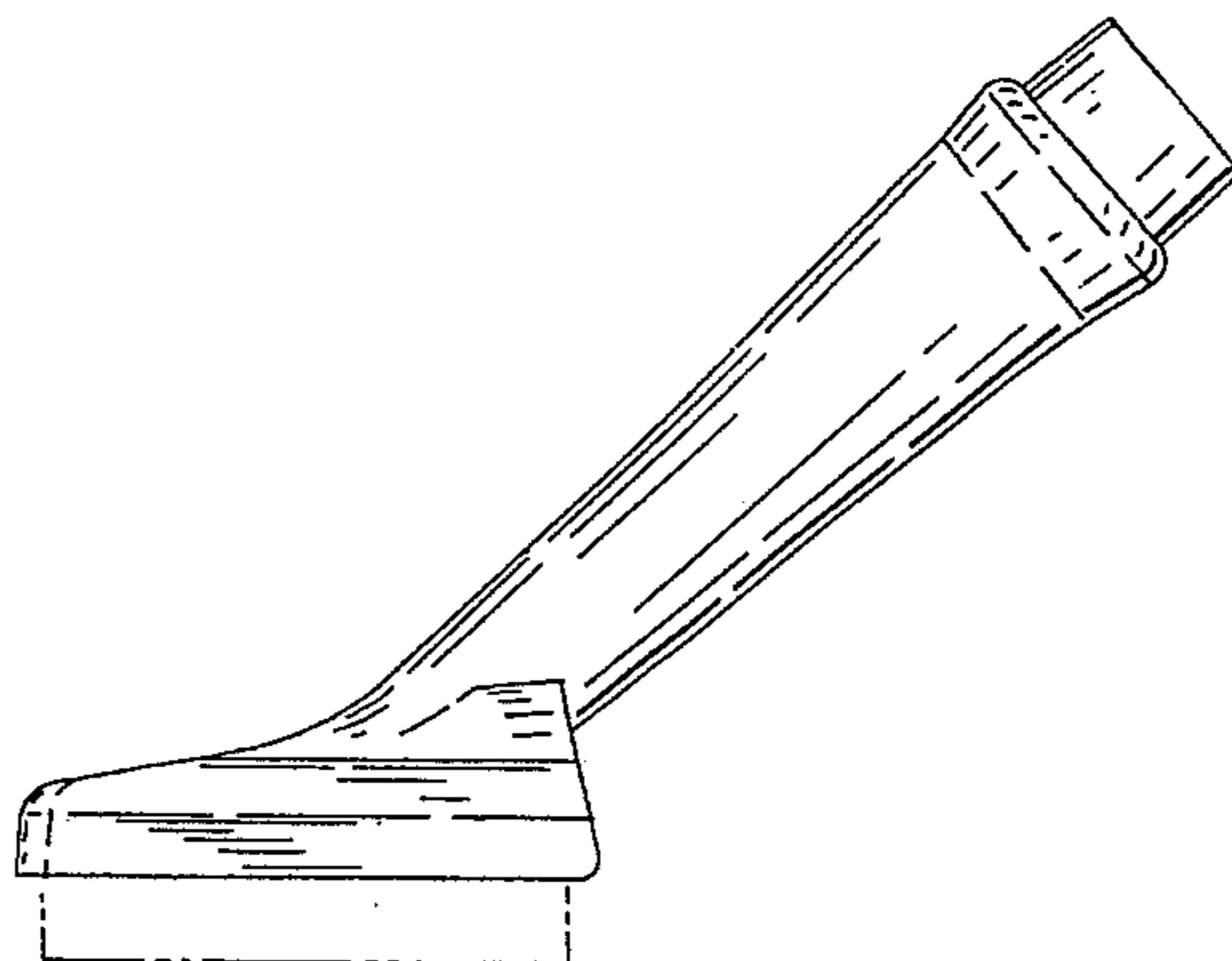
[56] References Cited

U.S. PATENT DOCUMENTS

176,169	4/1876	Davies et al. .	
D. 242,830	12/1976	Scoggin et al. .	
D. 249,821	10/1978	Cooke et al. .	
D. 262,075	12/1981	Cooke	D4/122
D. 277,524	2/1985	Kubich .	
D. 299,289	1/1989	Machacek .	
D. 306,924	3/1990	Shapton .	
D. 358,238	5/1995	Barnett .	
3,388,415	6/1968	Warner et al. .	
3,605,165	9/1971	Burns .	

FIG. 1 is a side elevation view of one side of the deck brush handle showing my new design, the opposite side being a mirror image;
FIG. 2 is a top plan view thereof;
FIG. 3 is a bottom plan view thereof;
FIG. 4 is a front elevation view from the left side of FIG. 1; and,
FIG. 5 is a rear elevation view from the right side of FIG. 1. The broken line showing of brush bristles in FIGS. 1, 4 and 5 is for illustrative purposes only and forms no part of the claimed design.

1 Claim, 3 Drawing Sheets



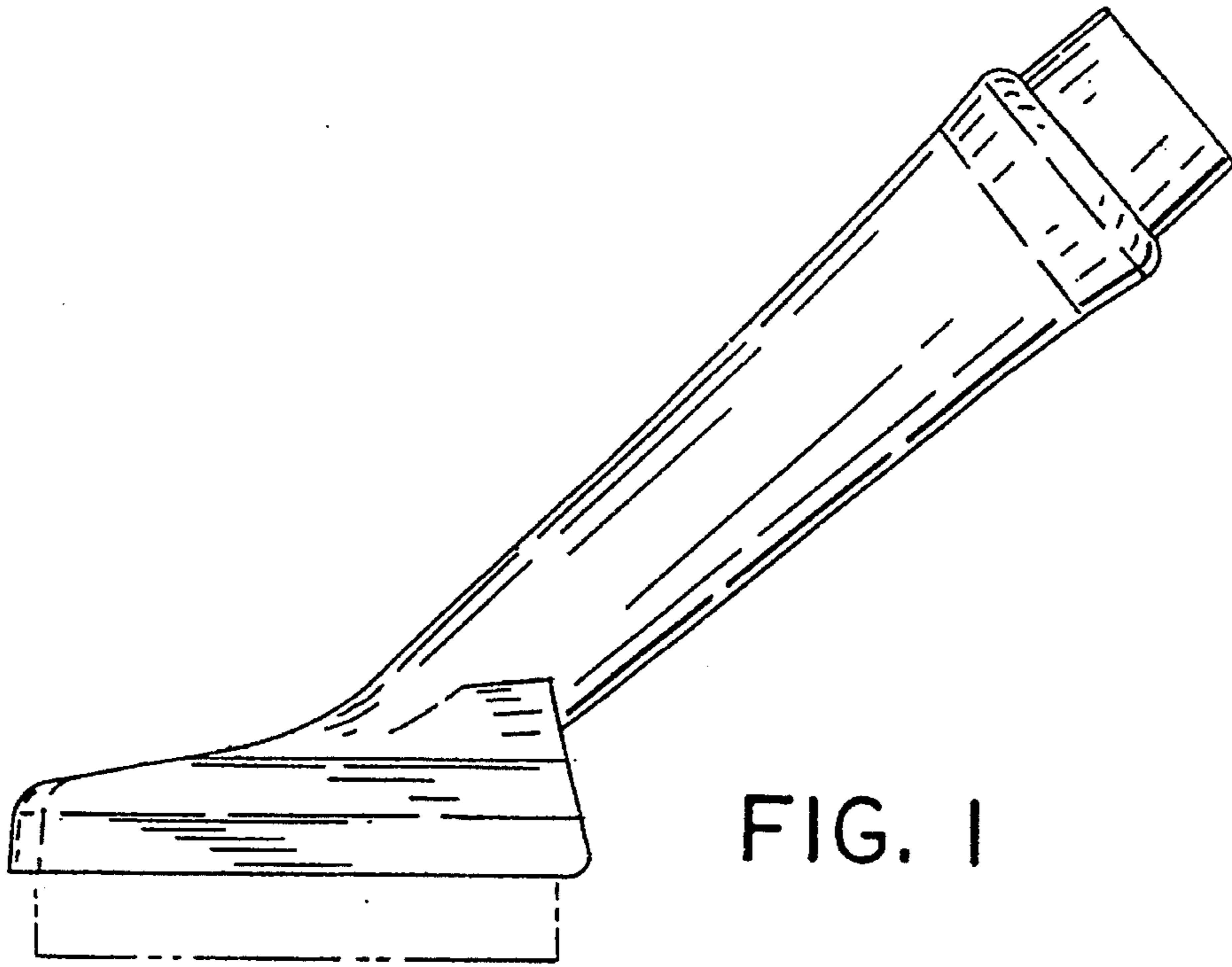
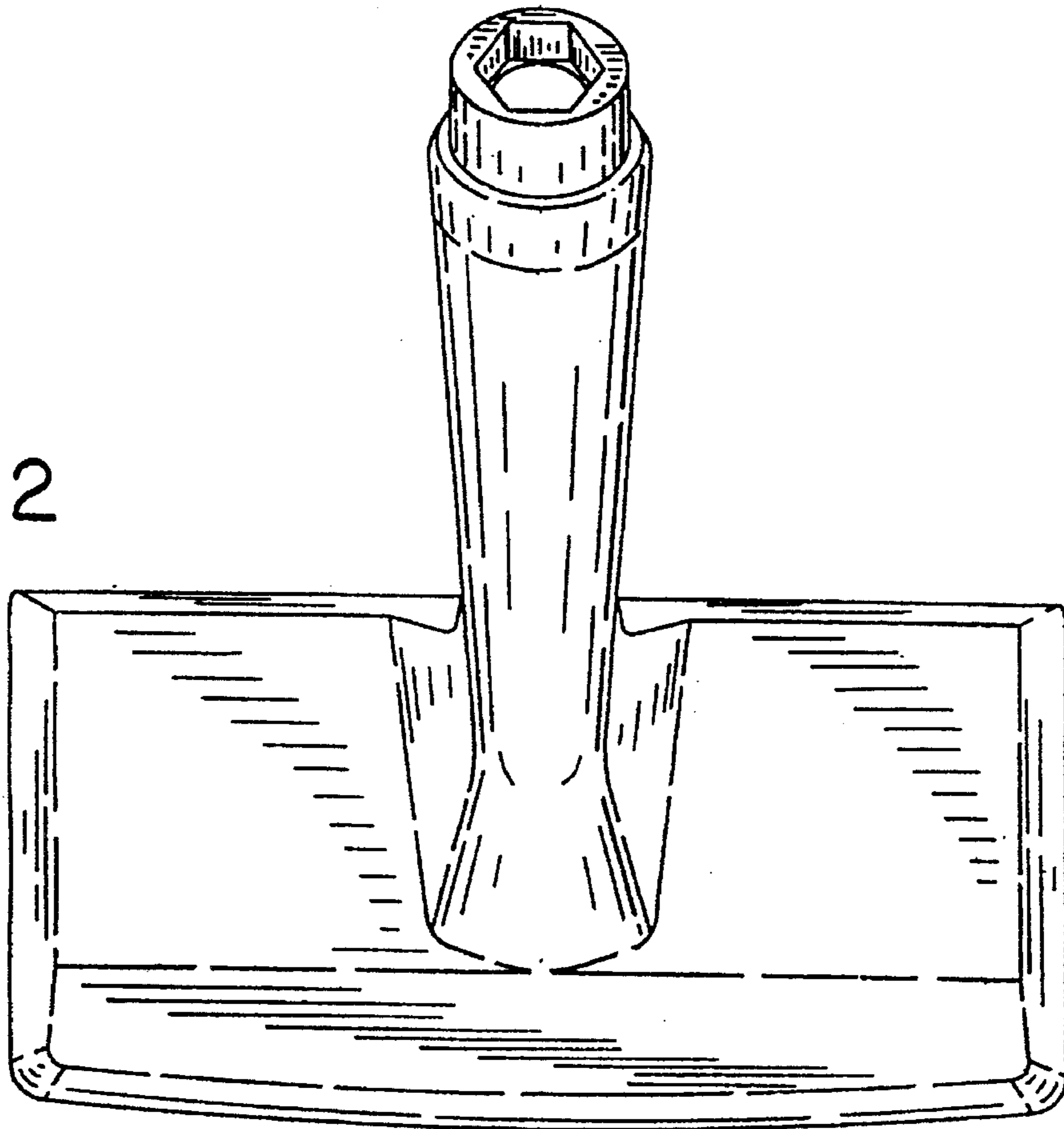


FIG. 1

FIG. 2



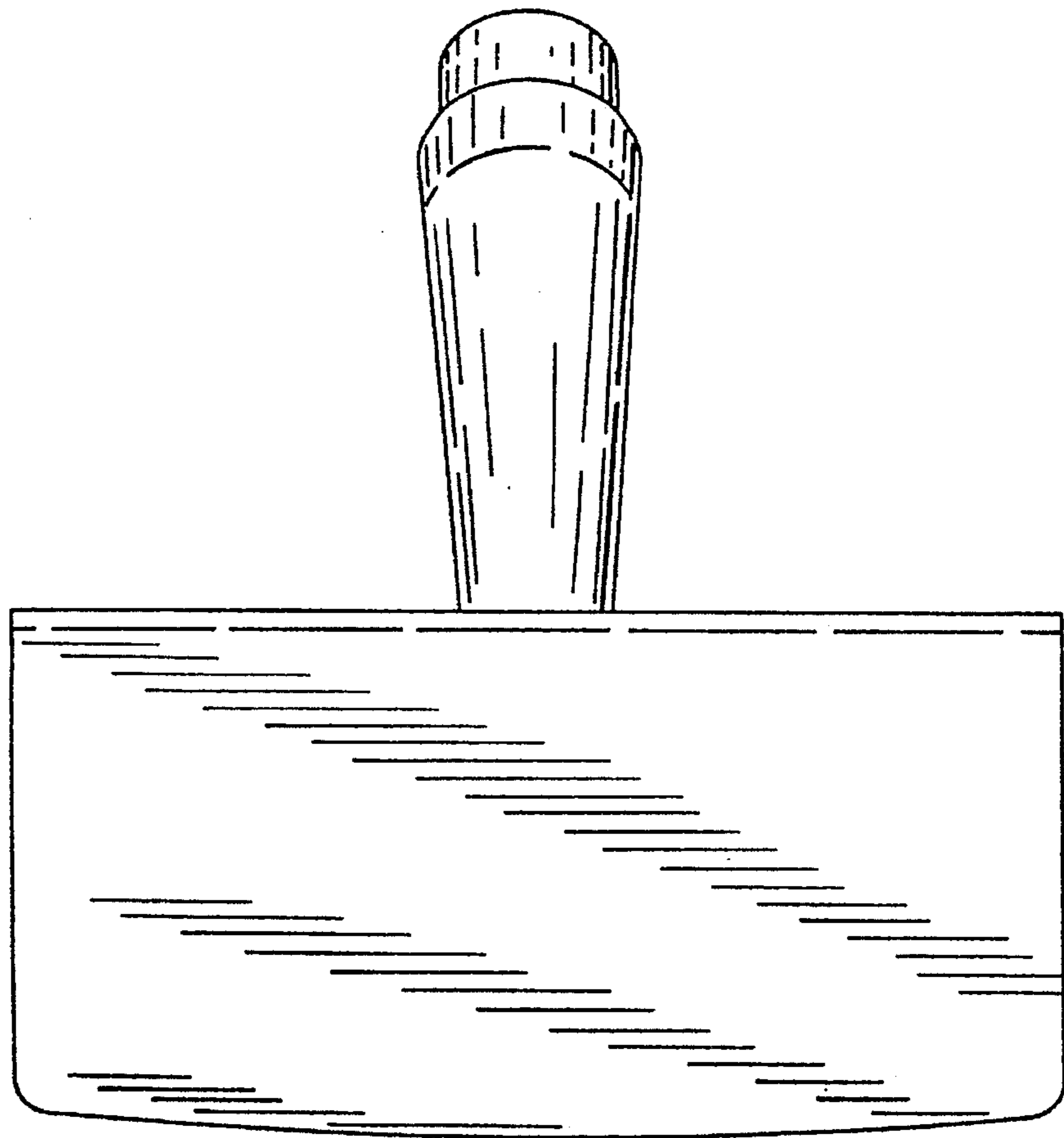


FIG. 3

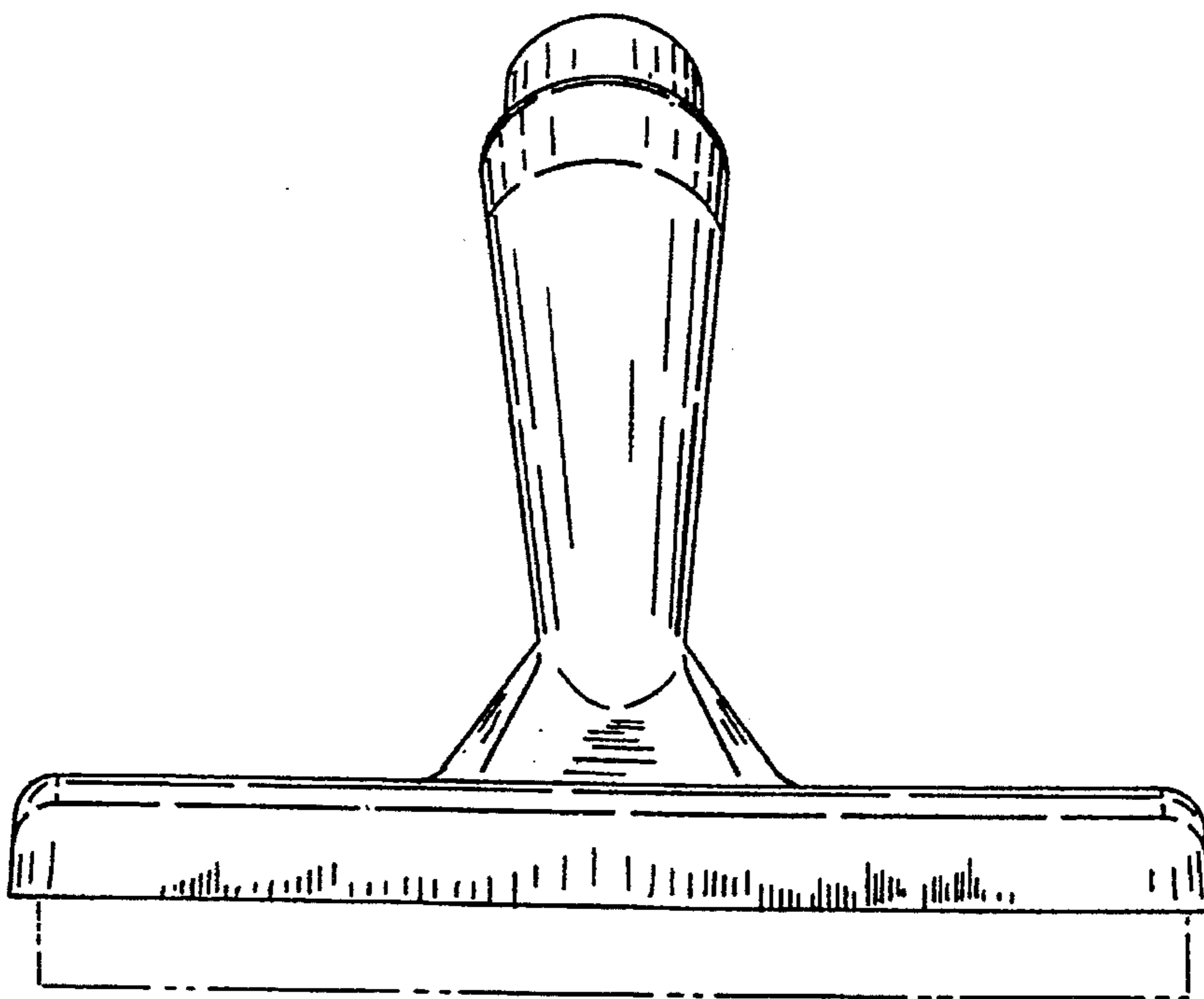


FIG. 4

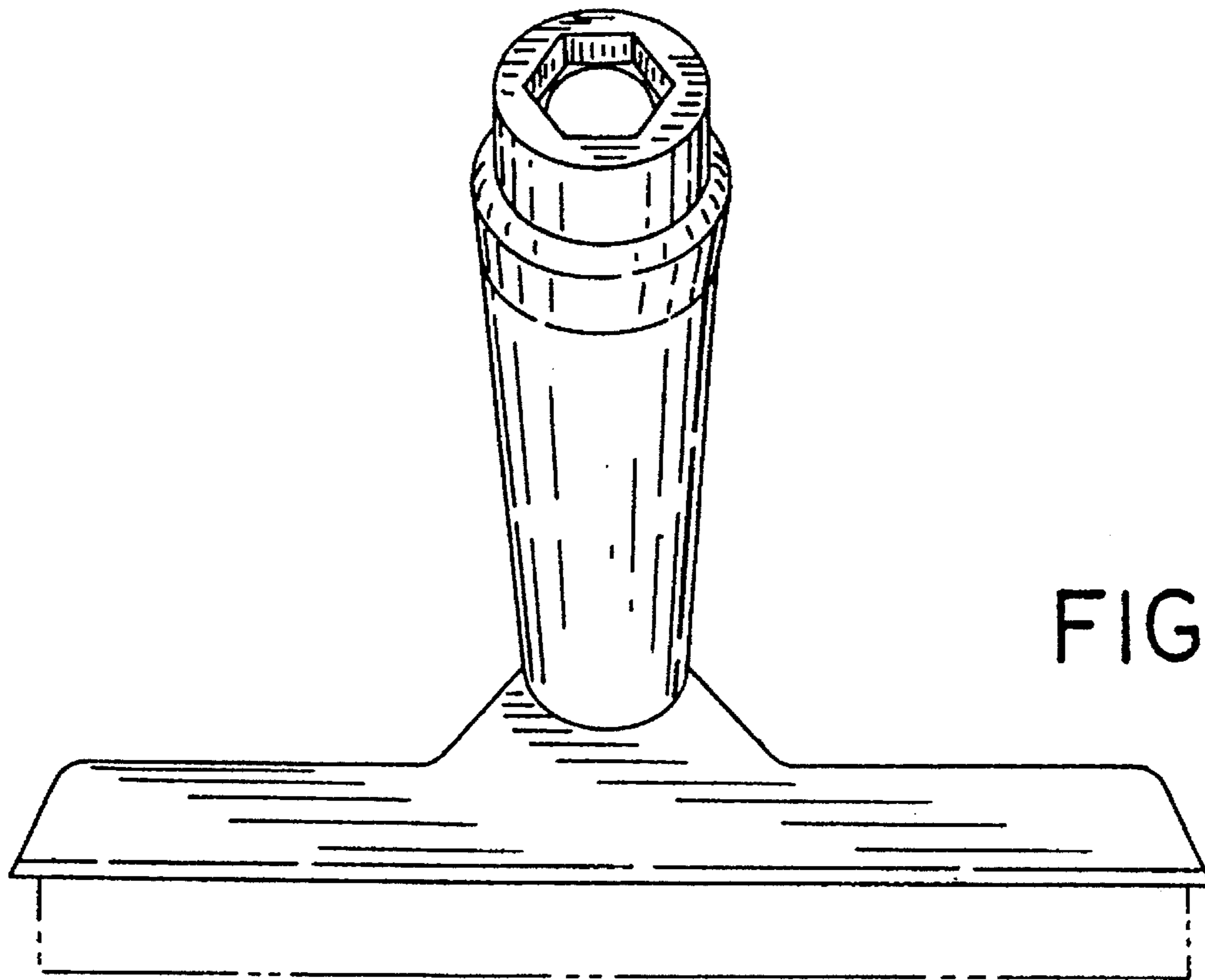


FIG. 5