



US00D378324S

United States Patent [19]

[11] Patent Number: **Des. 378,324**

Tennant

[45] Date of Patent: ****Mar. 11, 1997**

[54] **ANGLED BRUSH BLOCK**

131 5/1862 Italy 15/146

[75] Inventor: **Steven C. Tennant**, Wooster, Ohio

Primary Examiner—A. Hugo Word

Assistant Examiner—Lavone D. Tabor

[73] Assignee: **The Wooster Brush Company**,
Wooster, Ohio

Attorney, Agent, or Firm—Renner, Otto, Boisselle & Sklar,
P.L.L.

[**] Term: **14 Years**

[57] CLAIM

[21] Appl. No.: **50,736**

The ornamental design for an angled brush block, as shown and described.

[22] Filed: **Feb. 26, 1996**

DESCRIPTION

[52] U.S. Cl. **D4/138**

[58] Field of Search D4/119, 120, 130,
D4/132, 133, 135, 138, 199; 15/145, 146,
159.1, 160, 171, 176.1, 176.2, 186, 187

FIG. 1 is a perspective view of the angled brush block showing my new design as viewed from the upper right hand end thereof;

FIG. 2 is a top plan view thereof;

FIG. 3 is a front elevation view from the front side of FIG. 1;

FIG. 4 is a rear elevation view from the back side of FIG. 1;

FIG. 5 is an end elevation view from the right end of FIG. 1, the opposite end being a mirror image; and,

FIG. 6 is a bottom plan view thereof.

The broken line showing of brush bristles in FIGS. 1, 2 and 5 is for illustrative purposes only and forms no part of the claimed design.

[56] References Cited

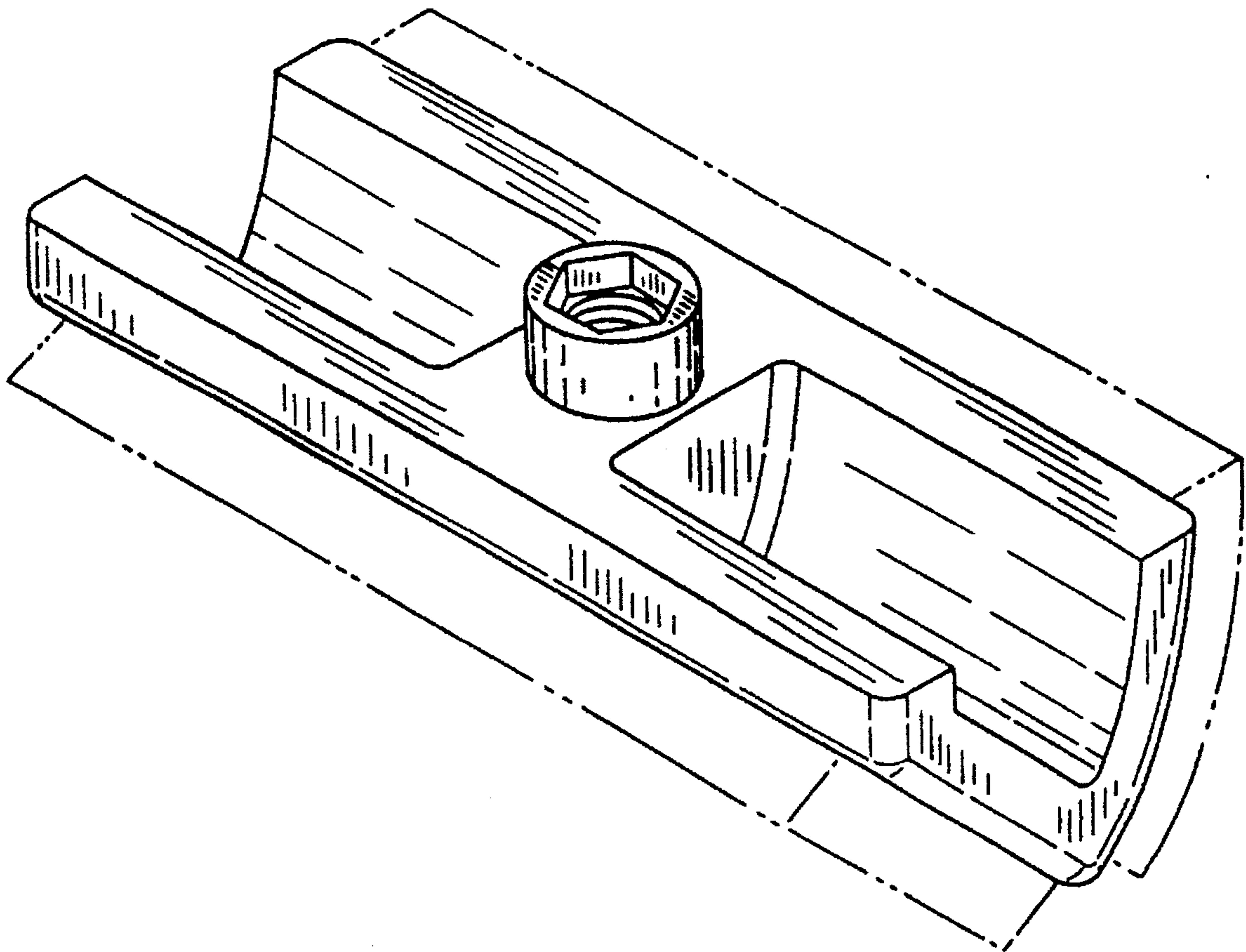
U.S. PATENT DOCUMENTS

- D. 4,390 10/1870 Atwater .
- D. 186,760 12/1959 Larson et al. .
- D. 222,026 9/1971 Johnson .
- D. 282,604 2/1986 Whitaker .

FOREIGN PATENT DOCUMENTS

- 8853/27 4/1928 Australia .
- 1038925 10/1953 France .
- 867237 2/1953 Germany .

1 Claim, 2 Drawing Sheets



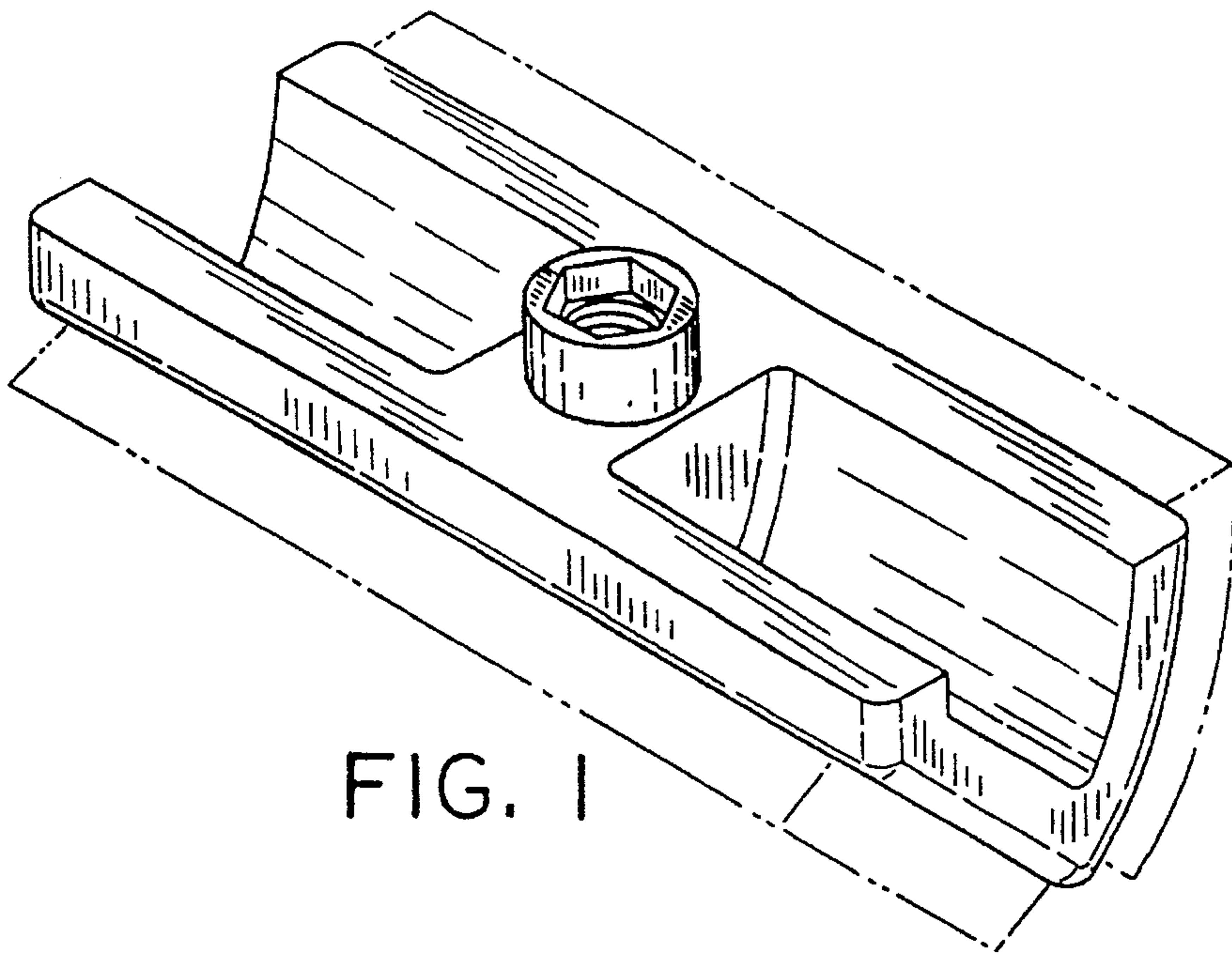


FIG. 1

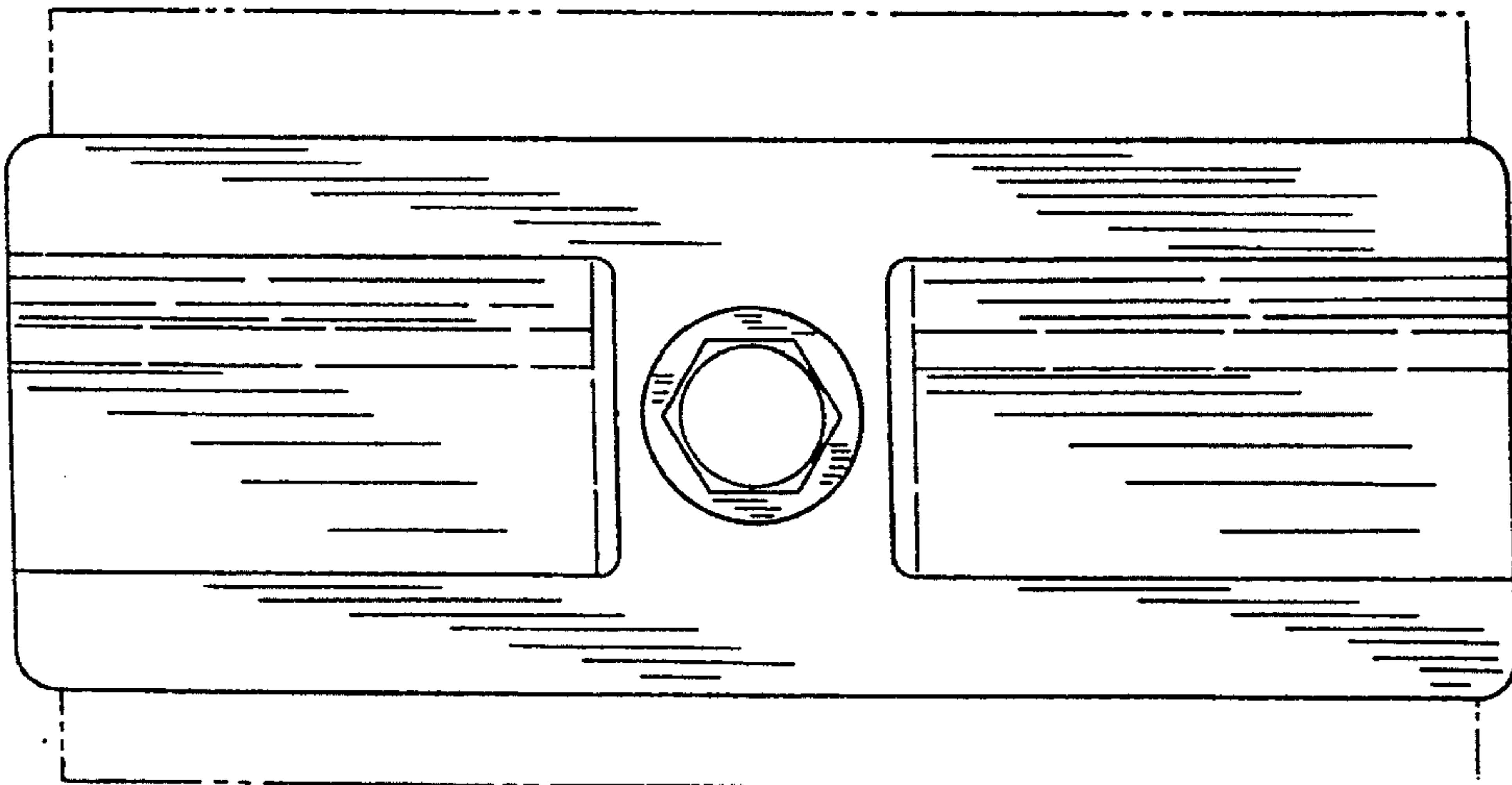


FIG. 2

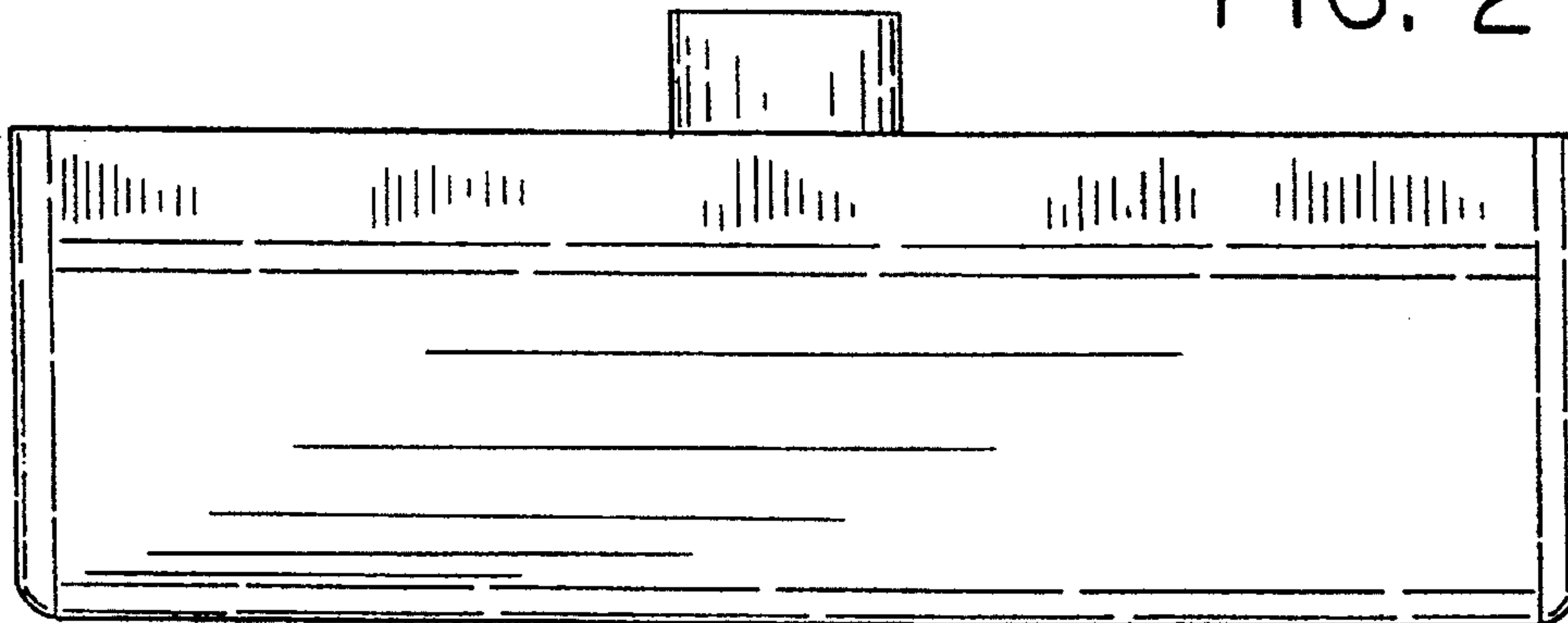


FIG. 3

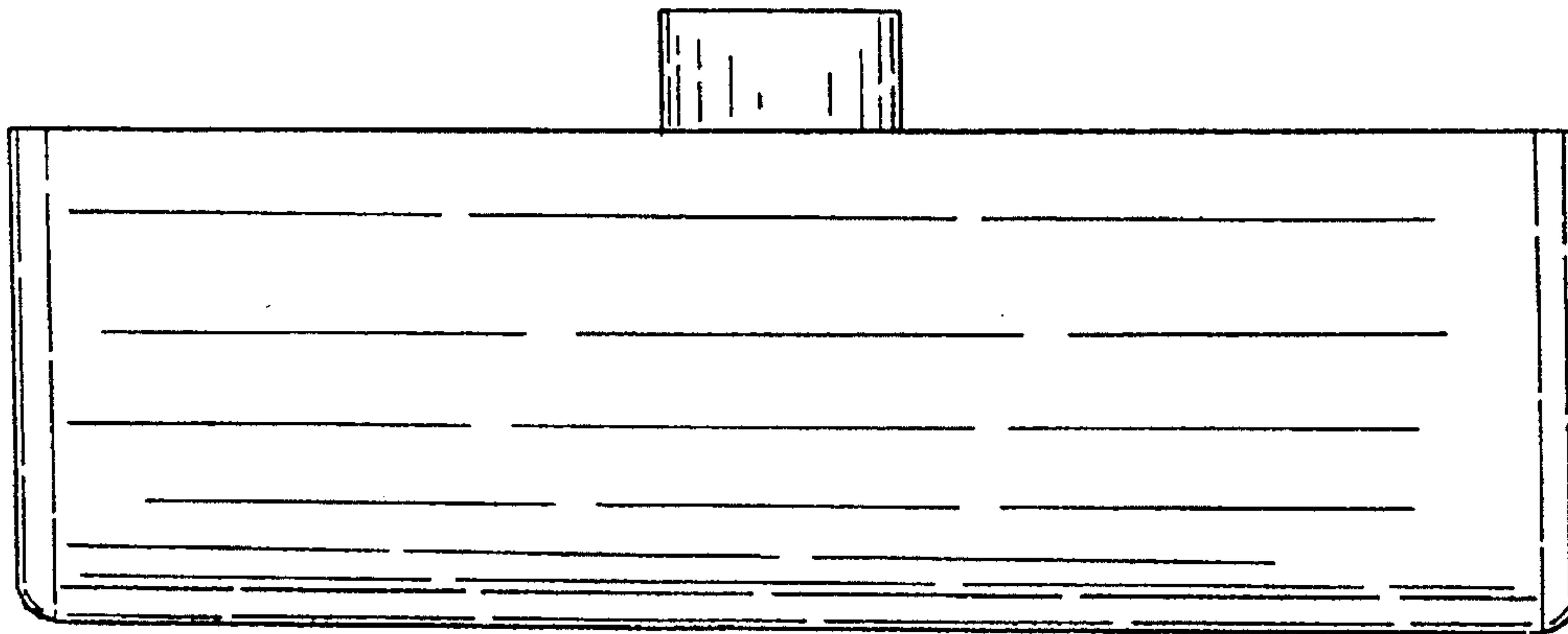


FIG. 4

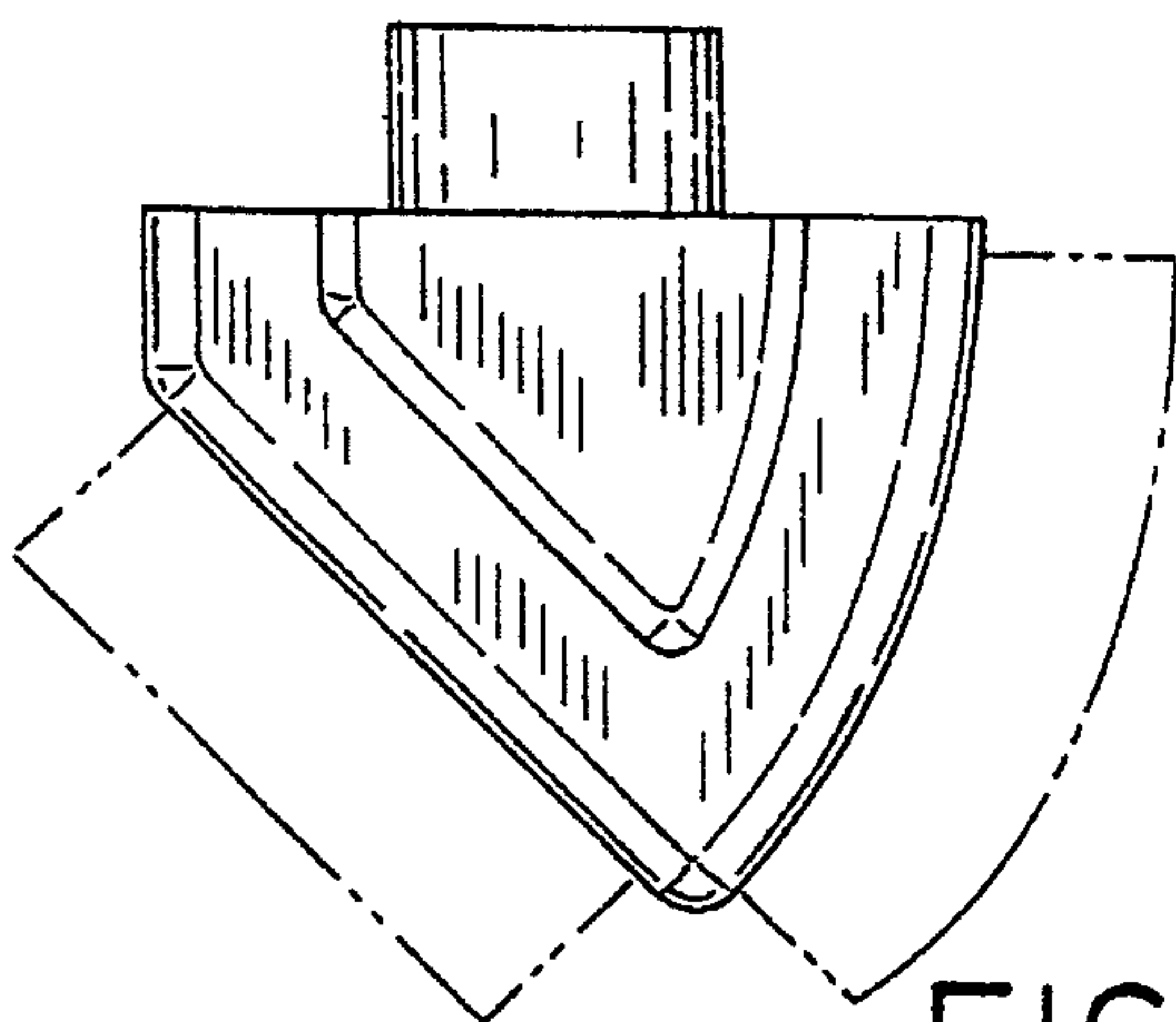


FIG. 5

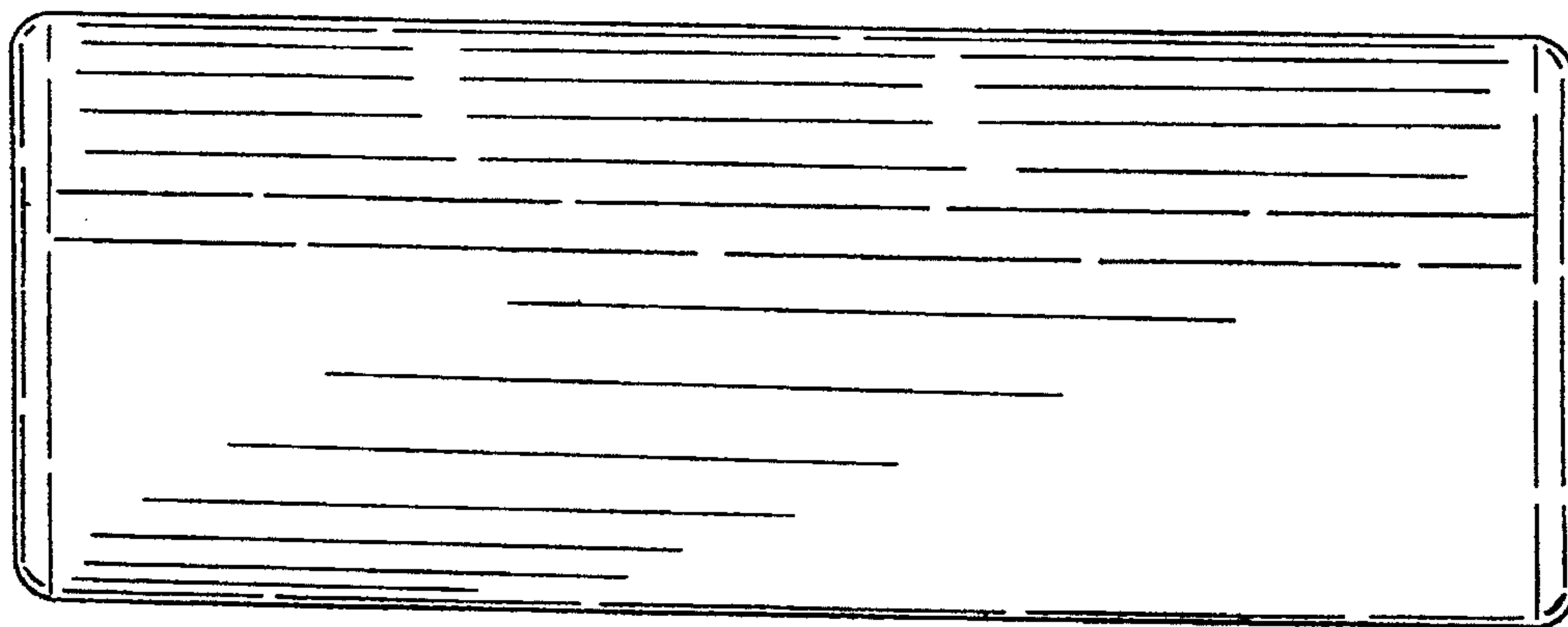


FIG. 6