



US00D378322S

United States Patent [19]

Young

[11] Patent Number: Des. 378,322

[45] Date of Patent: **Mar. 11, 1997

[54] EXTENDABLE HANDLE ICE SCRAPER AND SNOW BRUSH COMBINATION

[75] Inventor: Michael W. K. Young, Flushing, N.Y.

[73] Assignee: Injectron Corporation, Plainfield, N.J.

[**] Term: 14 Years

[21] Appl. No.: 32,846

[22] Filed: Dec. 29, 1994

[52] U.S. Cl. D4/118; D32/42

[58] Field of Search D4/116, 118, 121, D4/130, 132, 134, 138; 15/105, 111, 143.1, 144.1, 144.2, 144.3, 144.4, 159.1, 160; D32/40, 42, 48, 49

[56] References Cited

U.S. PATENT DOCUMENTS

D. 292,949	12/1987	Vetter	D4/116
D. 318,158	7/1991	Ediger et al.	D32/42
D. 345,639	3/1994	Pollak et al.	D32/42

Primary Examiner—A. Hugo Word
Assistant Examiner—Lavone D. Tabor
Attorney, Agent, or Firm—Amster, Rothstein & Ebenstein

[57] CLAIM

The ornamental design for an extendable handle ice scraper and snow brush combination, as shown and described.

DESCRIPTION

FIG. 1 is a front elevational view of an extendable handle ice scraper and snow brush combination showing my new design, the rear elevational view with the exception of the ends of the brush holder being a mirror image;

FIG. 2 is a reduced front elevational view thereof showing the handle in its extended position;

FIG. 3 is an enlarged front elevational view of FIG. 1 with the handle shown broken away for ease of illustration;

FIG. 4 is a top plan view of FIG. 3;

FIG. 5 is a bottom plan view of FIG. 3;

FIG. 6 is a left side elevational view of FIG. 3;

FIG. 7 is a right side elevational view of FIG. 3;

FIG. 8 is an enlarged bottom perspective view of FIG. 1 with most of the handle being omitted for ease of illustration; and;

FIG. 9 is a top perspective view of FIG. 8.

1 Claim, 5 Drawing Sheets

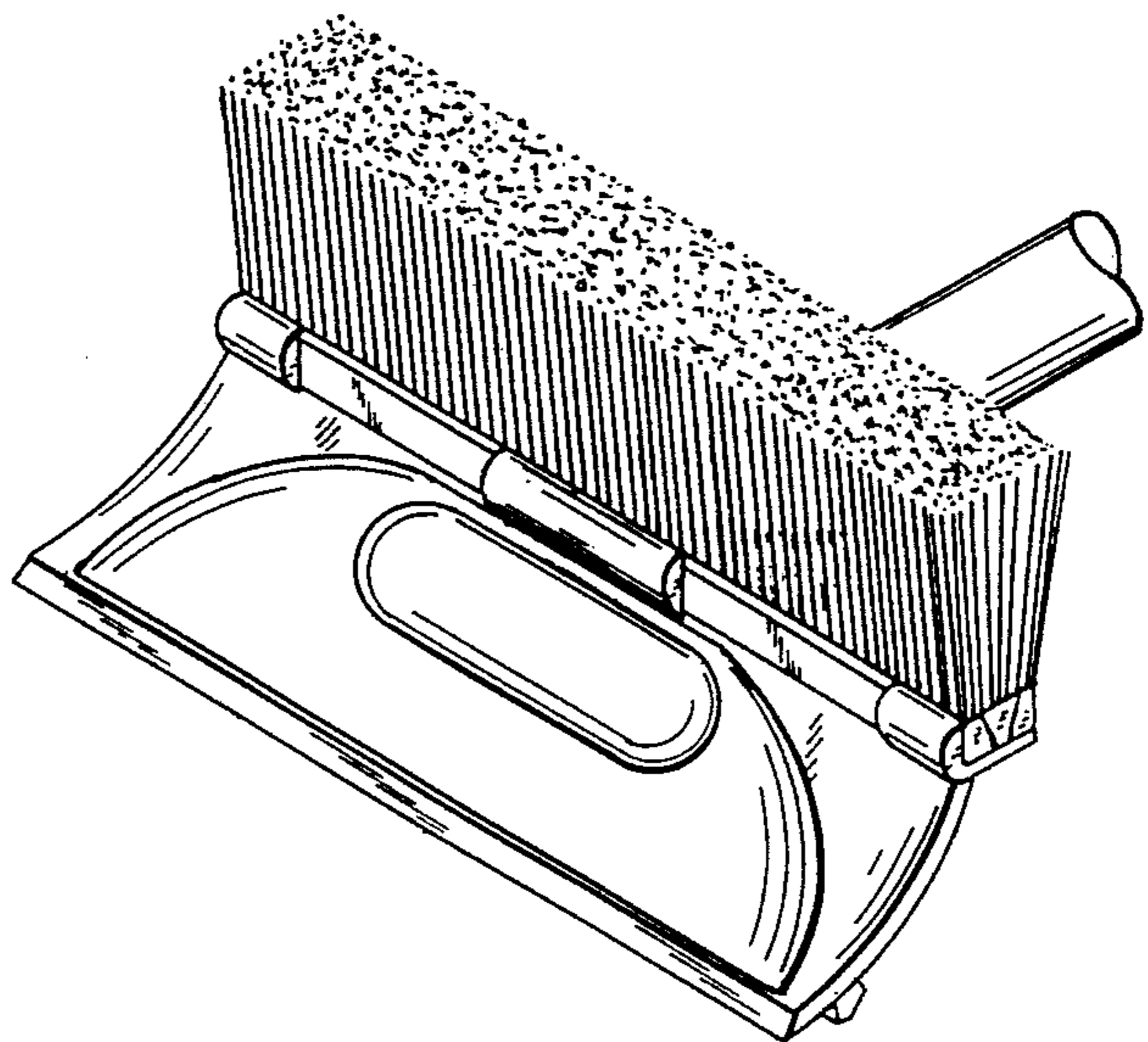
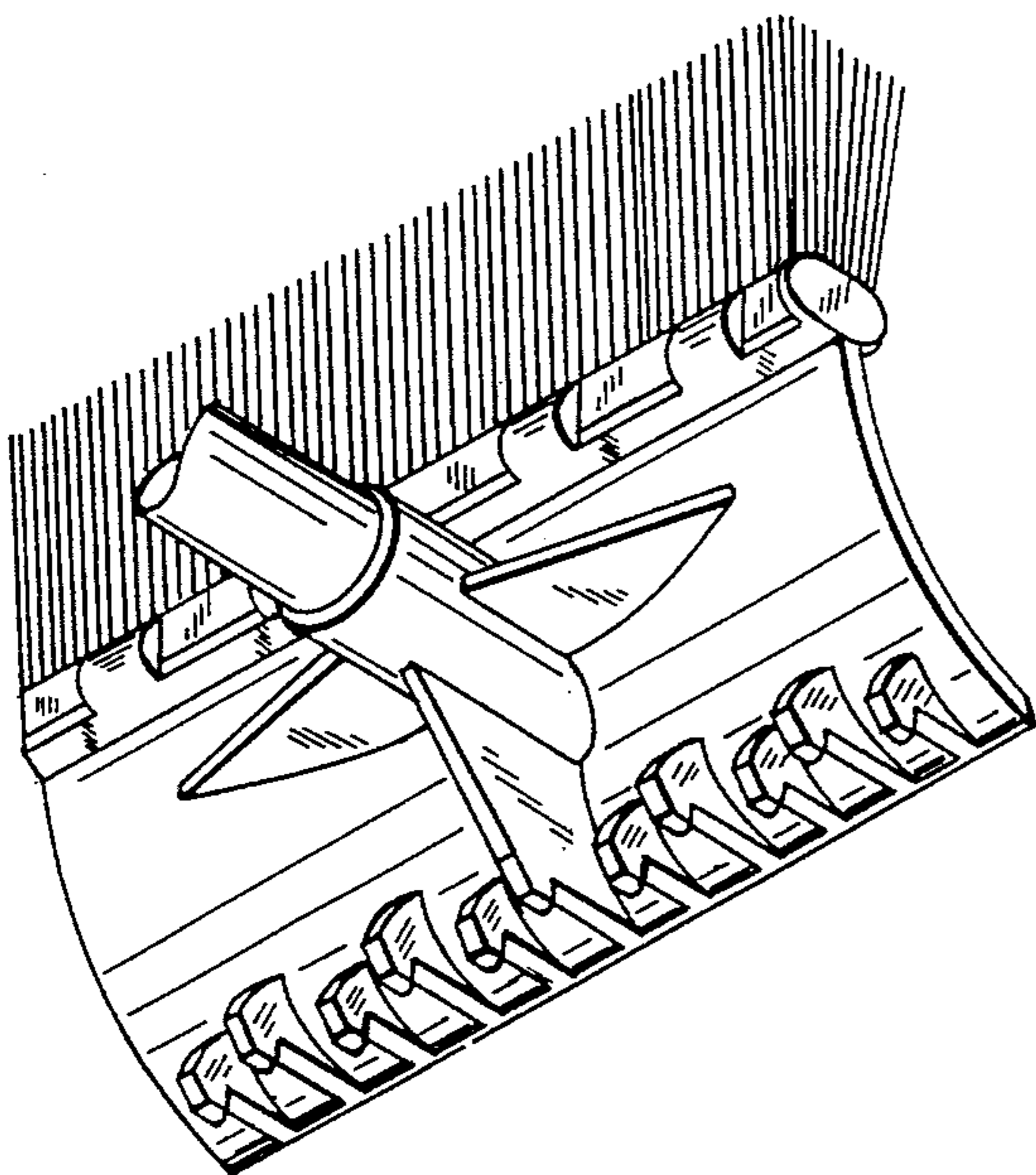
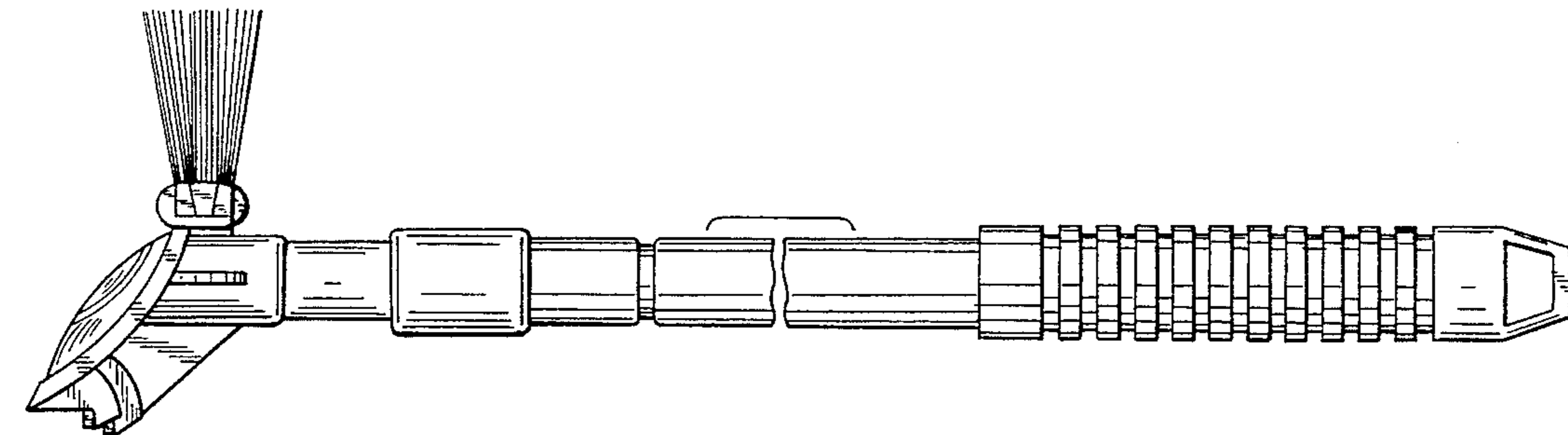


FIG. 1

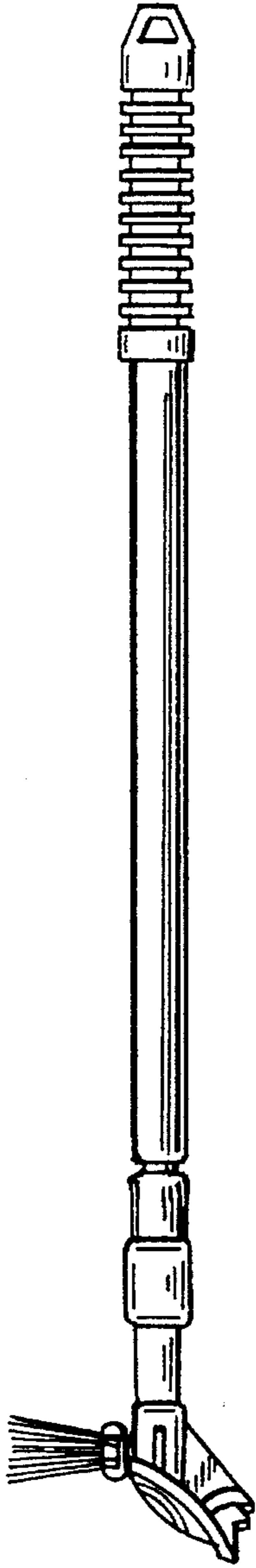


FIG. 3

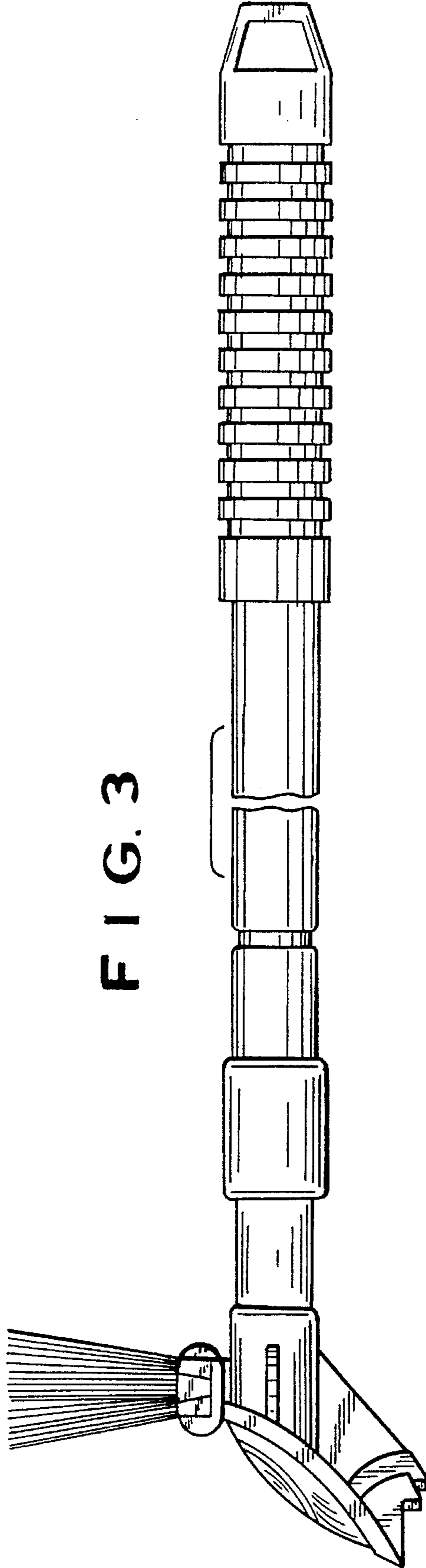


FIG. 2

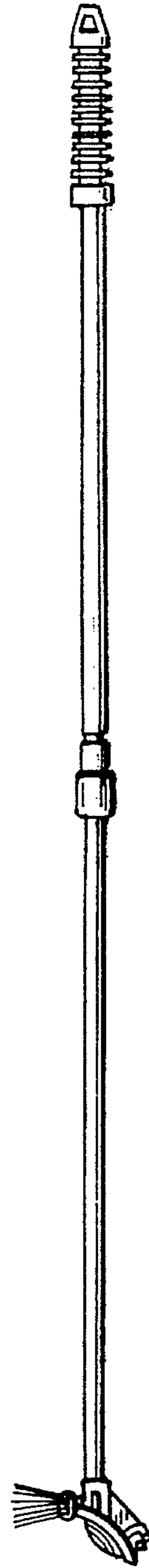
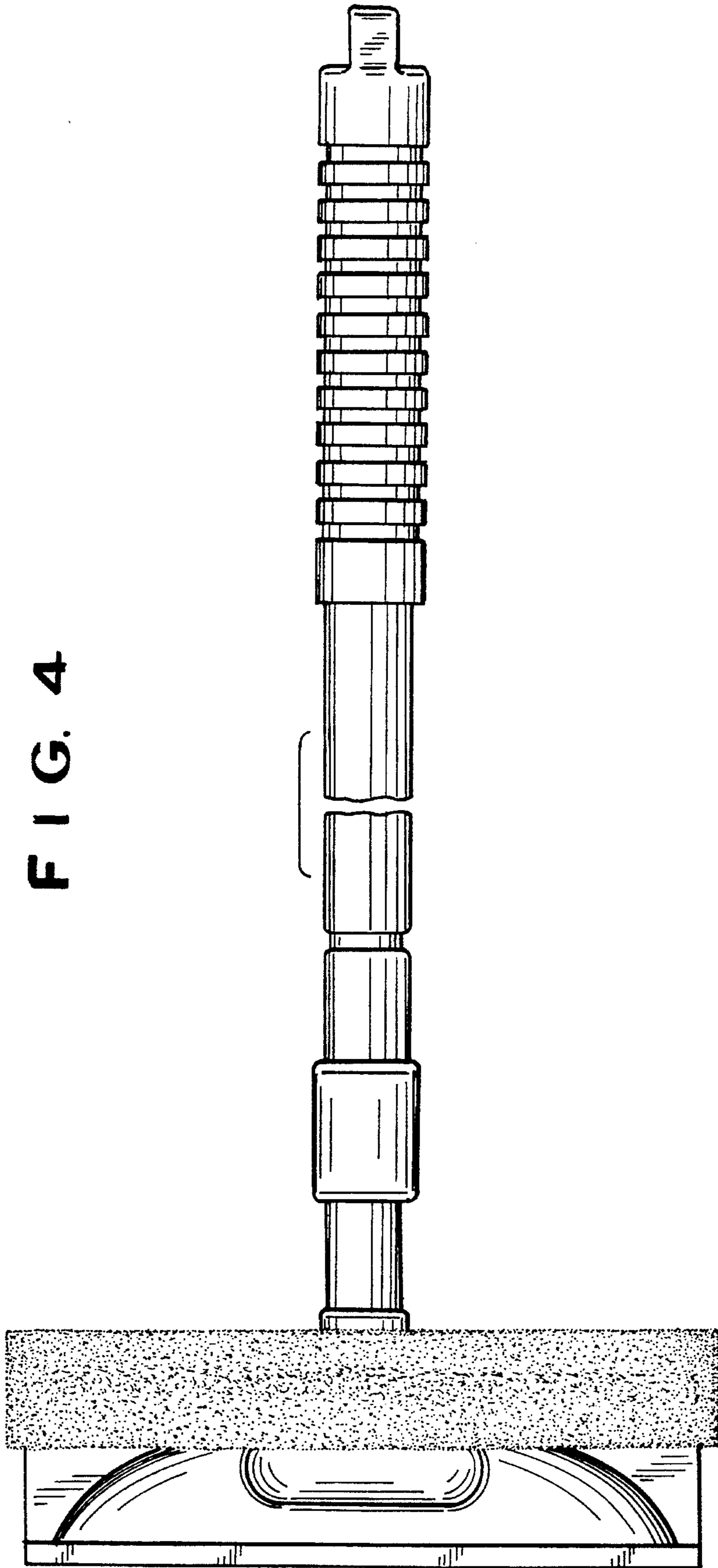


FIG. 4



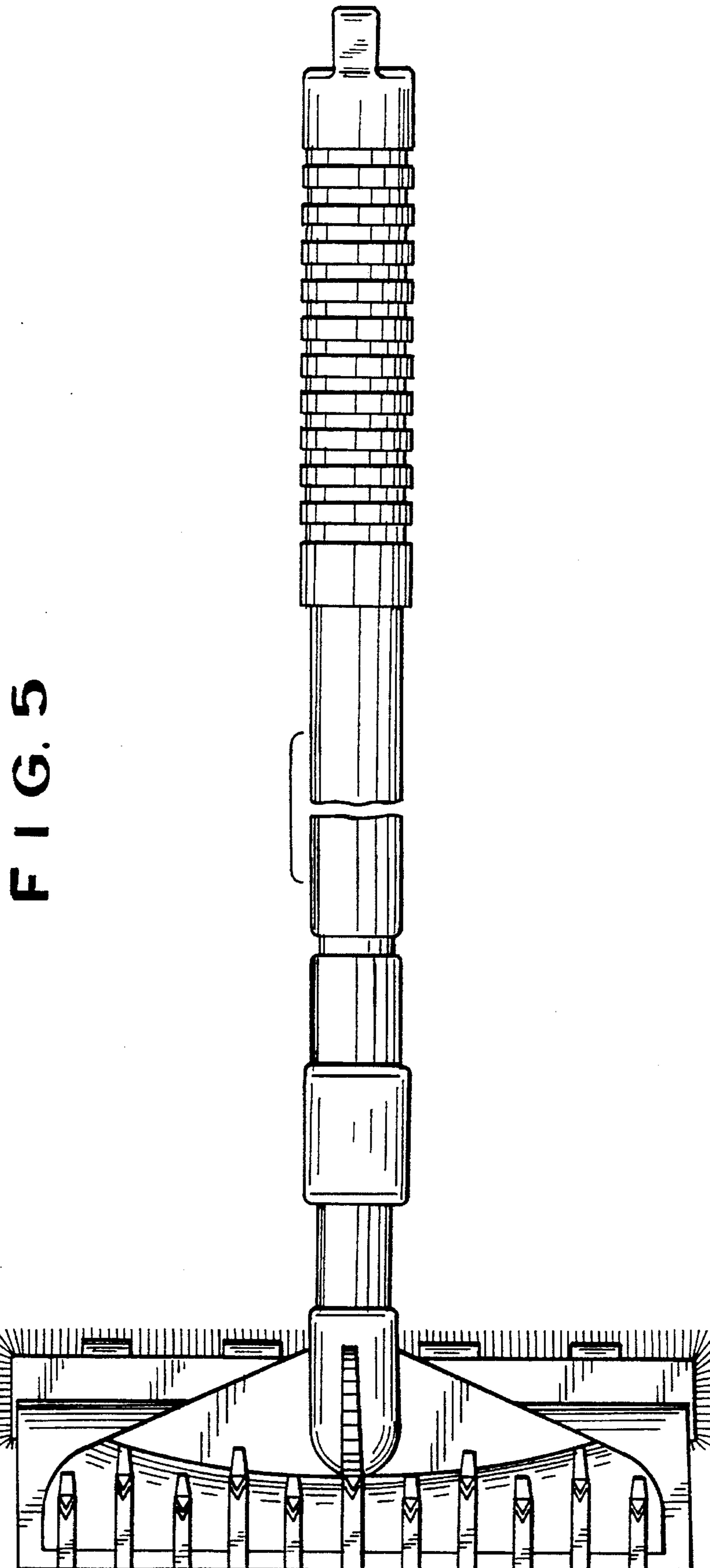


FIG. 5

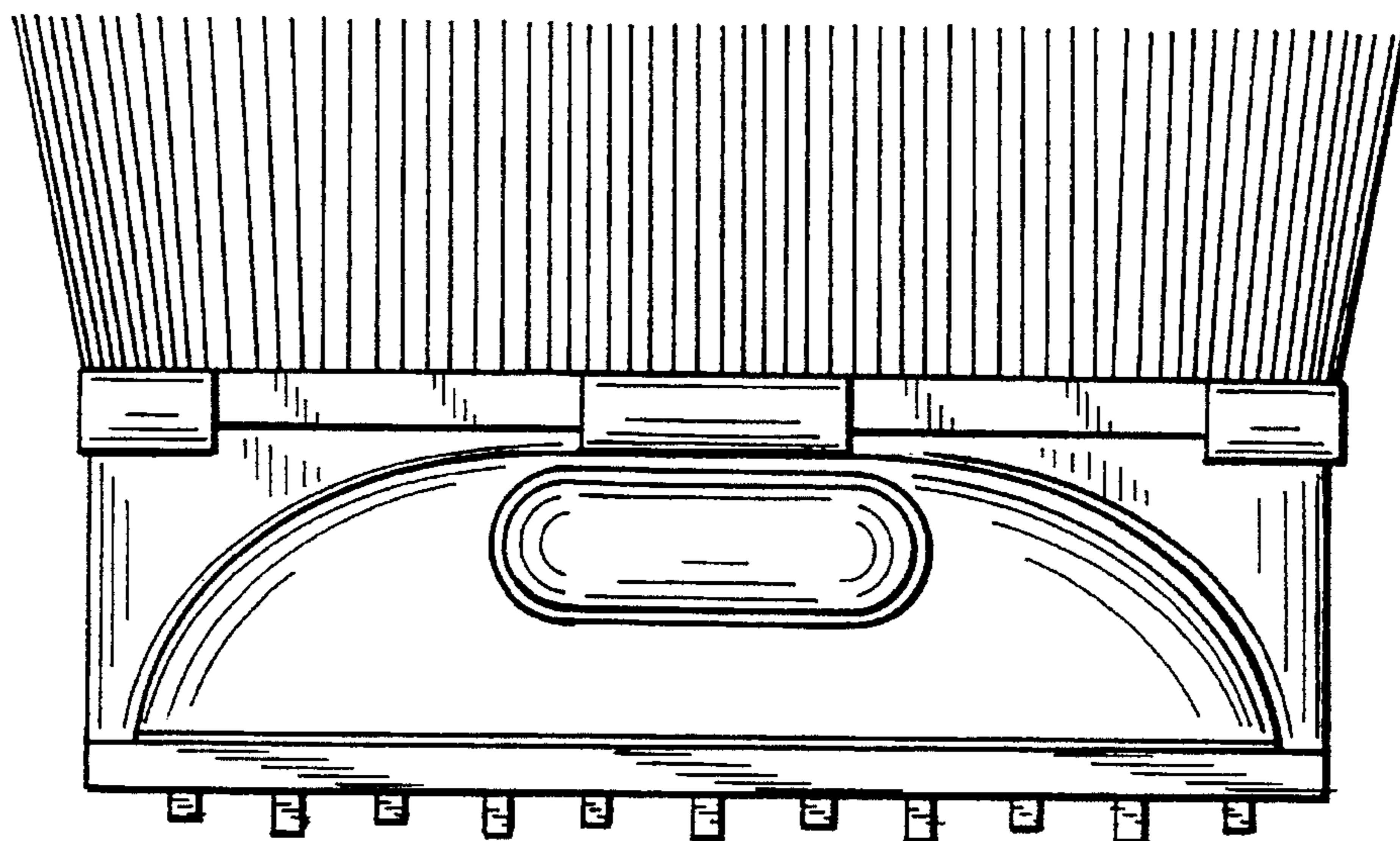


FIG. 6

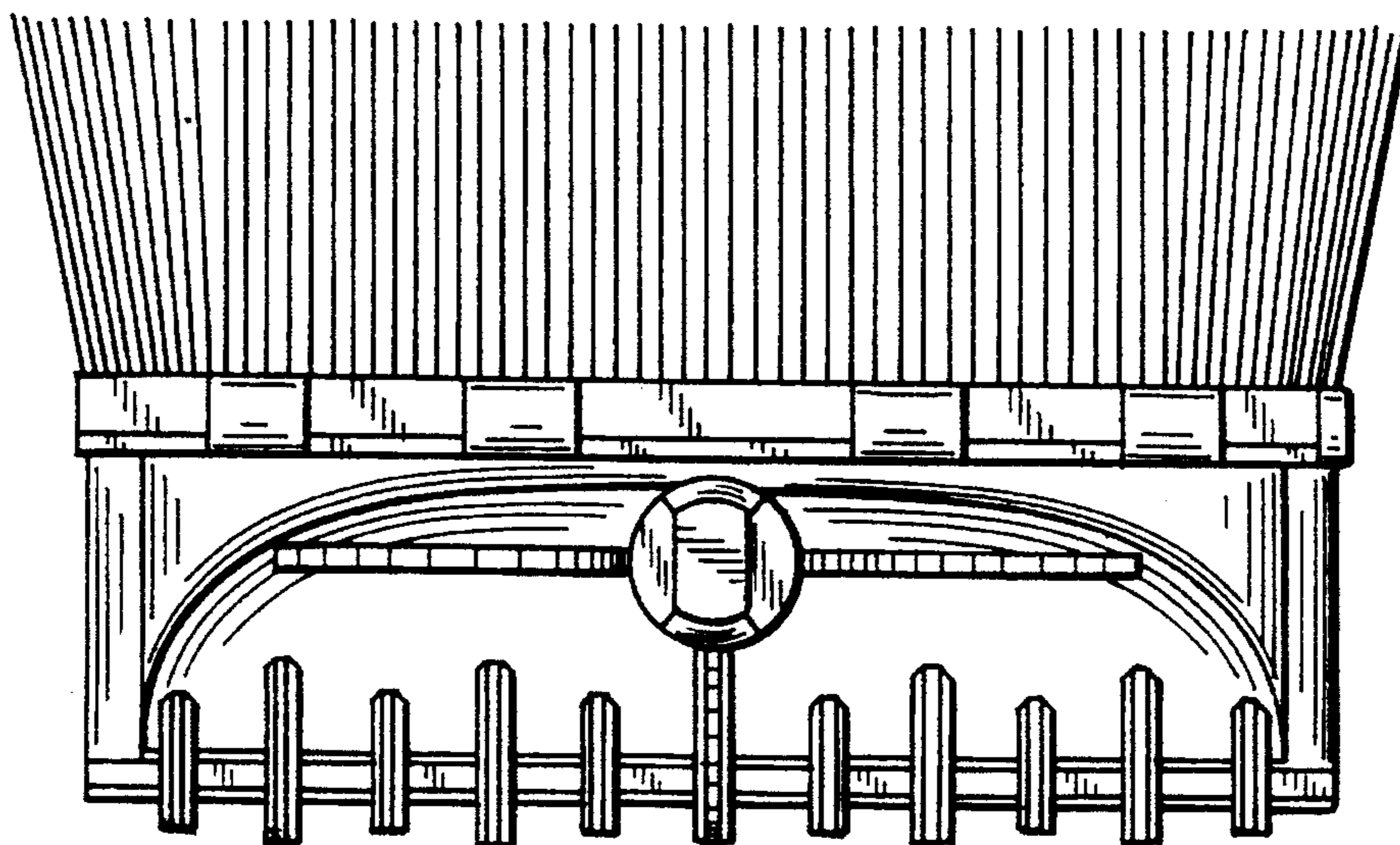


FIG. 7

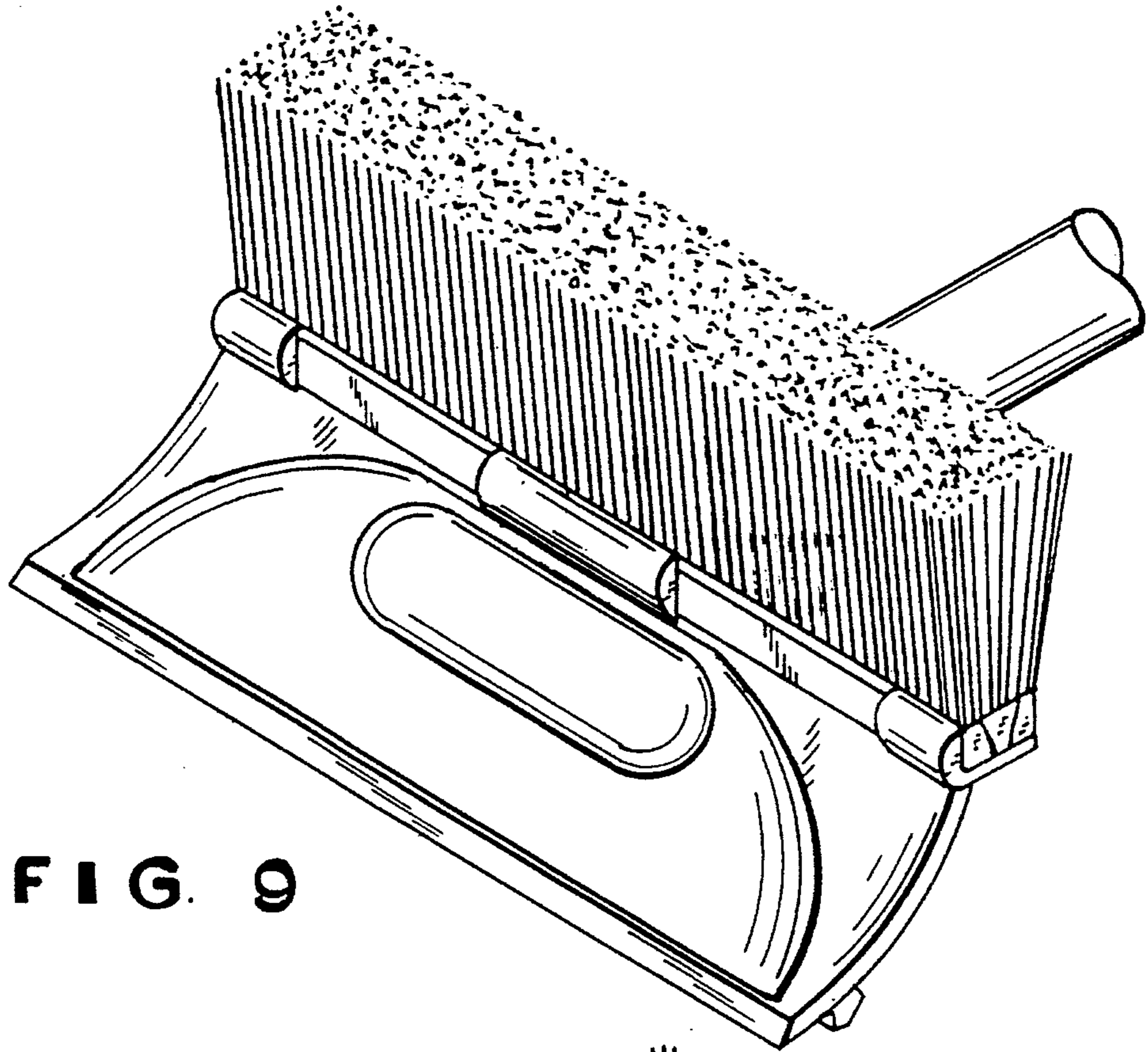


FIG. 9

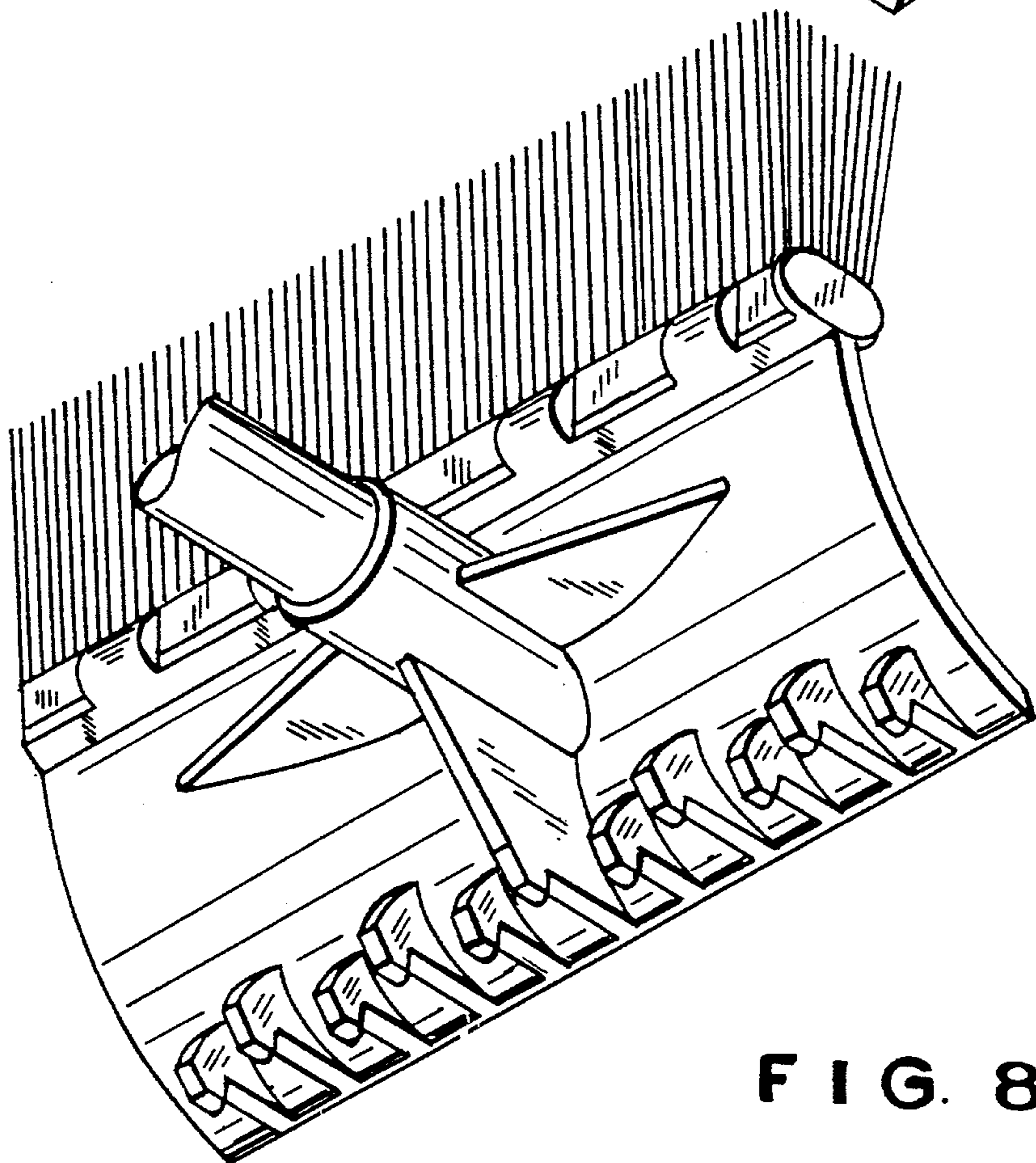


FIG. 8