



US00D378315S

# United States Patent [19]

[11] Patent Number: **Des. 378,315**

Schwaegerle et al.

[45] Date of Patent: **\*\*Mar. 4, 1997**

## [54] INSTRUMENT DELIVERY STAND

[75] Inventors: **Gary G. Schwaegerle**, Cincinnati;  
**Gregory M. Crook**, Columbus, both of Ohio

[73] Assignee: **Reliance Medical Products, Inc.**,  
Mason, Ohio

[\*\*] Term: **14 Years**

[21] Appl. No.: **45,773**

[22] Filed: **Oct. 30, 1995**

[52] U.S. Cl. .... **D24/172**

[58] Field of Search ..... D24/185, 176,  
D24/177, 172; 312/209, 276; 351/245

## [56] References Cited

### U.S. PATENT DOCUMENTS

D. 198,232	5/1964	Maier et al. .	
D. 235,274	6/1975	Armbruster .	
D. 246,186	10/1977	Rorabaugh .....	D24/185 X
D. 292,526	10/1987	Nakayama .....	D24/172
1,494,666	5/1924	Clement .....	351/245
3,572,913	3/1971	Korb et al. ....	351/245

### OTHER PUBLICATIONS

Brochure, "7700 Ophthalmic Instrument Stand with Upholstered Front Panel", Reliance® Medical Products, Inc., 3535 Kings Mills Road, Mason, OH, ©1993.

Brochure, "7720 Ophthalmic Instrument Stand with Textured Finish", Reliance® Medical Products, Inc., 3535 Kings Mills Road, Mason, OH ©1993.

*Primary Examiner*—Stella Reid  
*Attorney, Agent, or Firm*—Wood, Herron & Evans, P.L.L.

## [57] CLAIM

The ornamental design for an instrument delivery stand, as shown and described.

## DESCRIPTION

FIG. 1 is a perspective view of an instrument delivery stand showing our new design with attachments in broken lines being for illustrative purposes only and forming no part of our invention;

FIG. 2 is a front elevational view thereof;

FIG. 3 is a right side elevational view thereof;

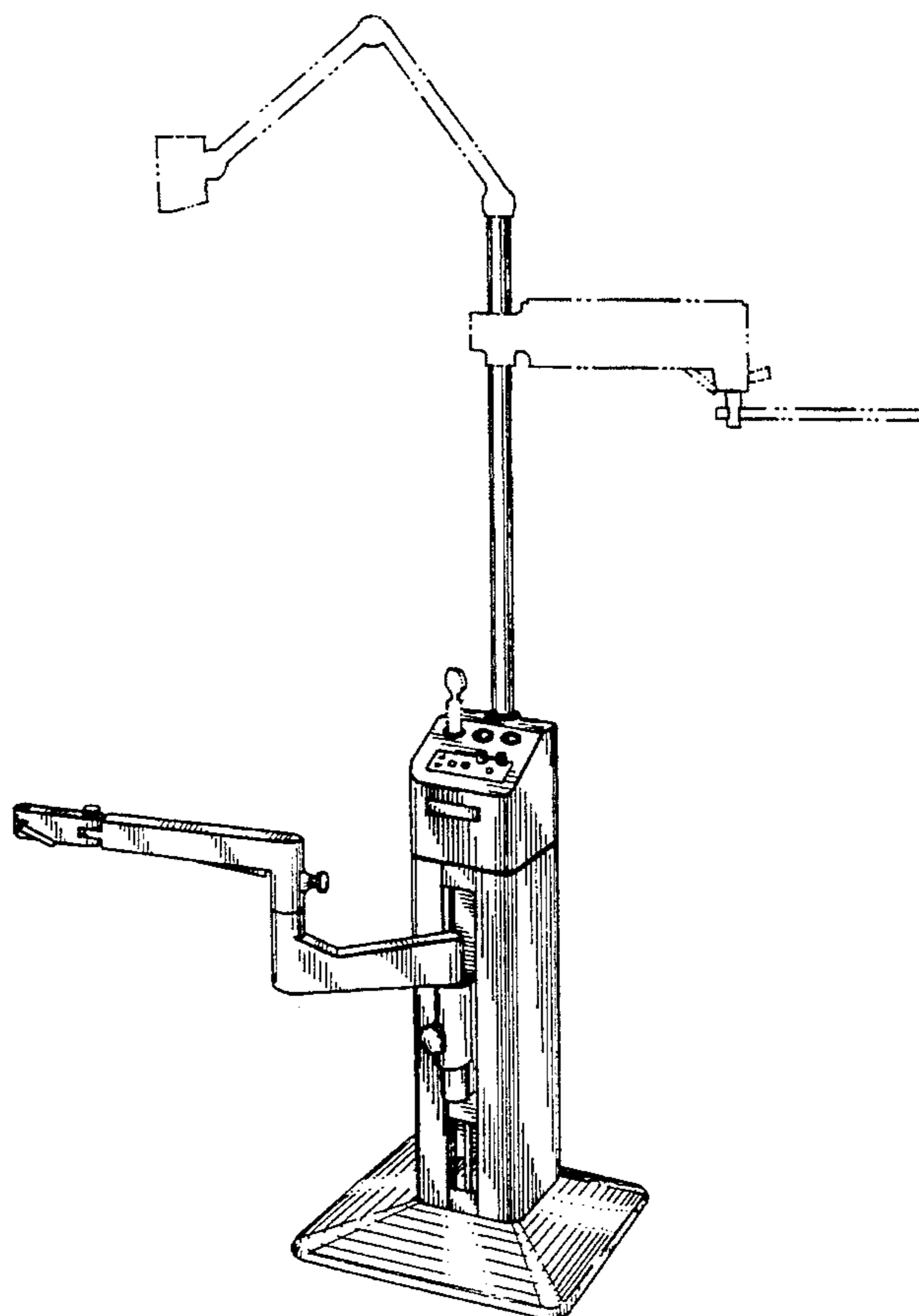
FIG. 4 is a left side elevational view thereof;

FIG. 5 is a rear elevational view thereof;

FIG. 6 is a top plan view thereof; and,

FIG. 7 is a bottom plan view thereof.

**1 Claim, 3 Drawing Sheets**



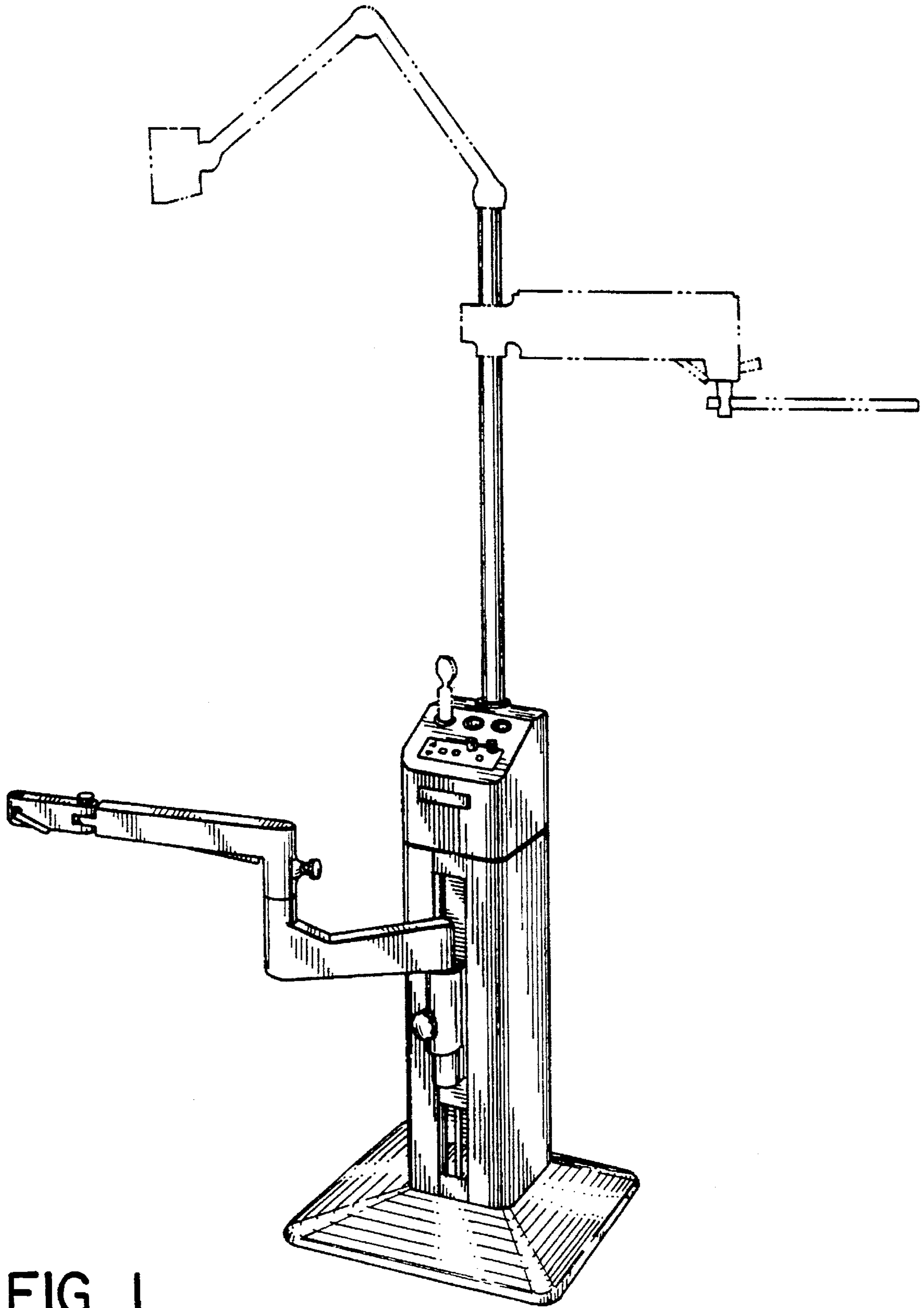


FIG. 1

FIG. 4

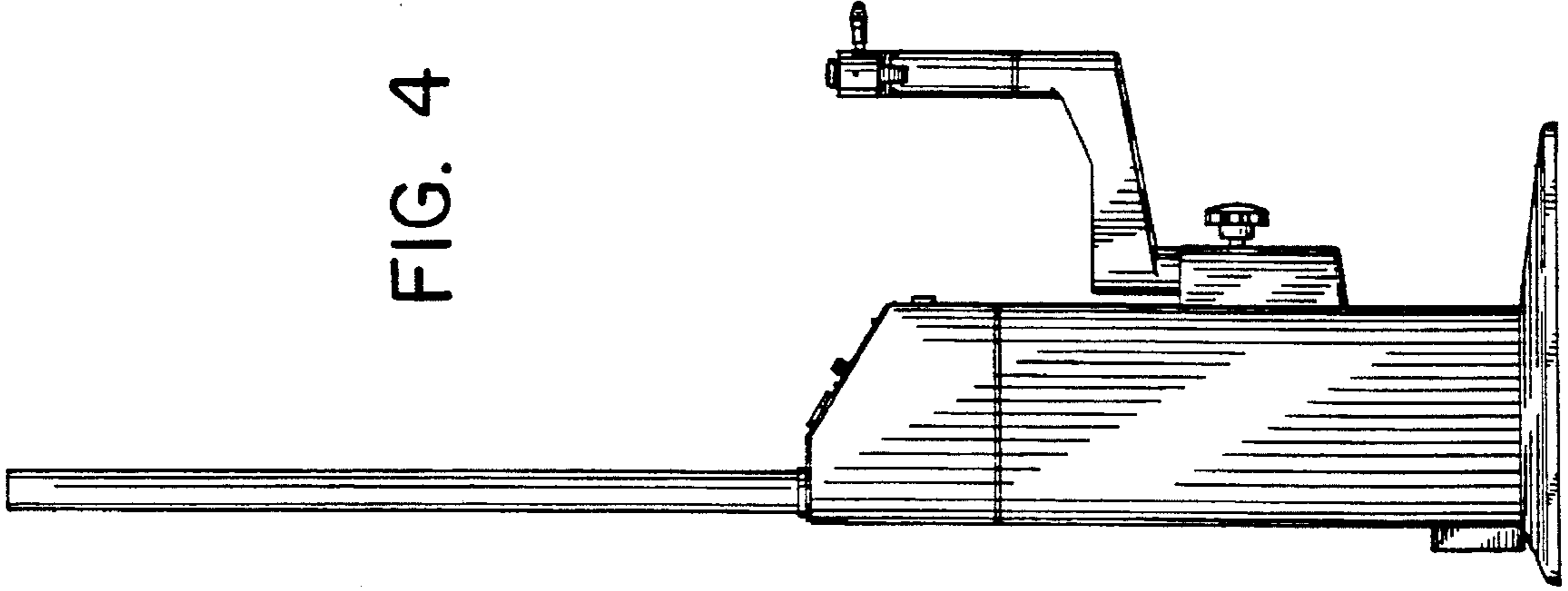


FIG. 3

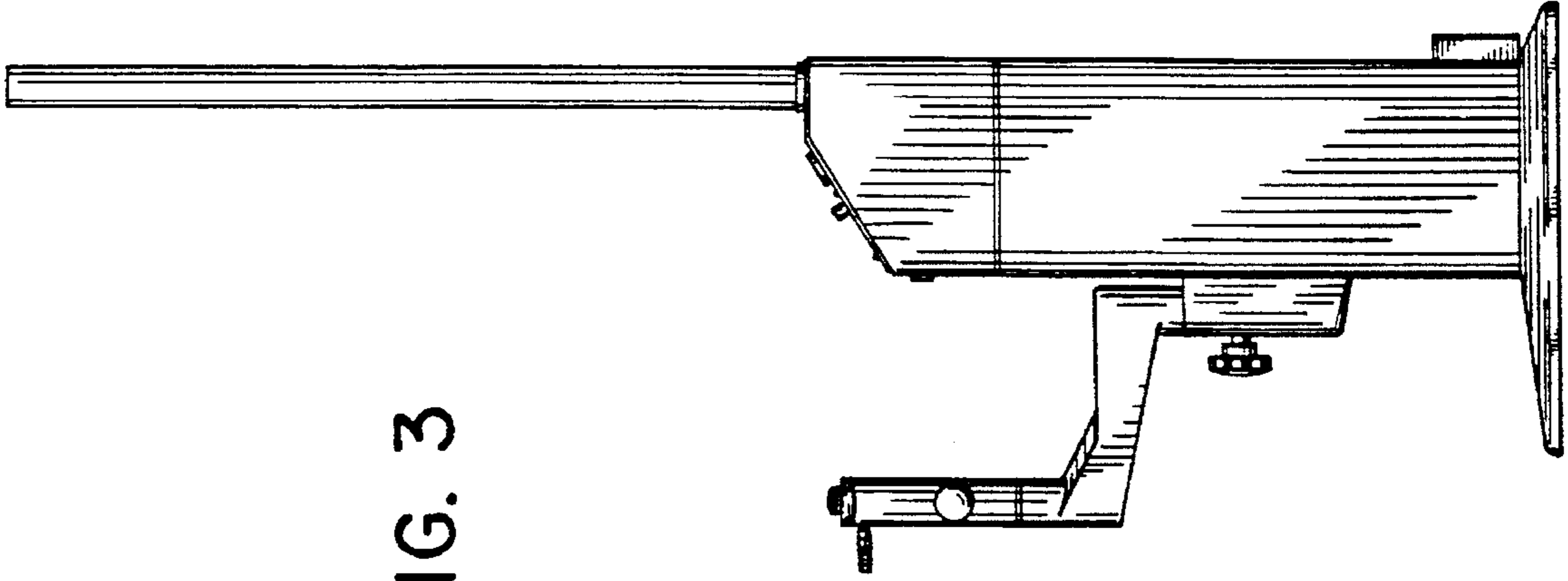
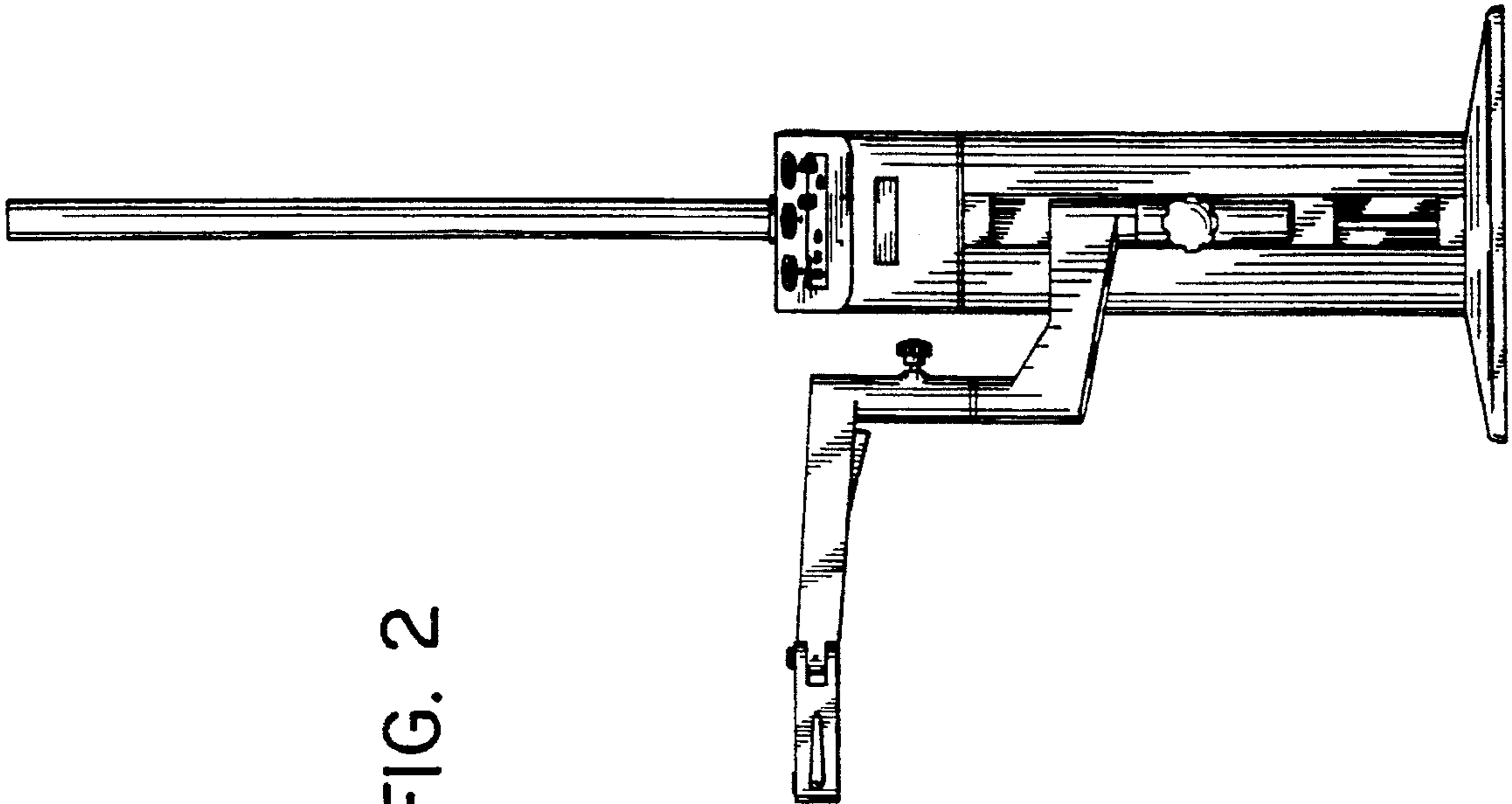


FIG. 2



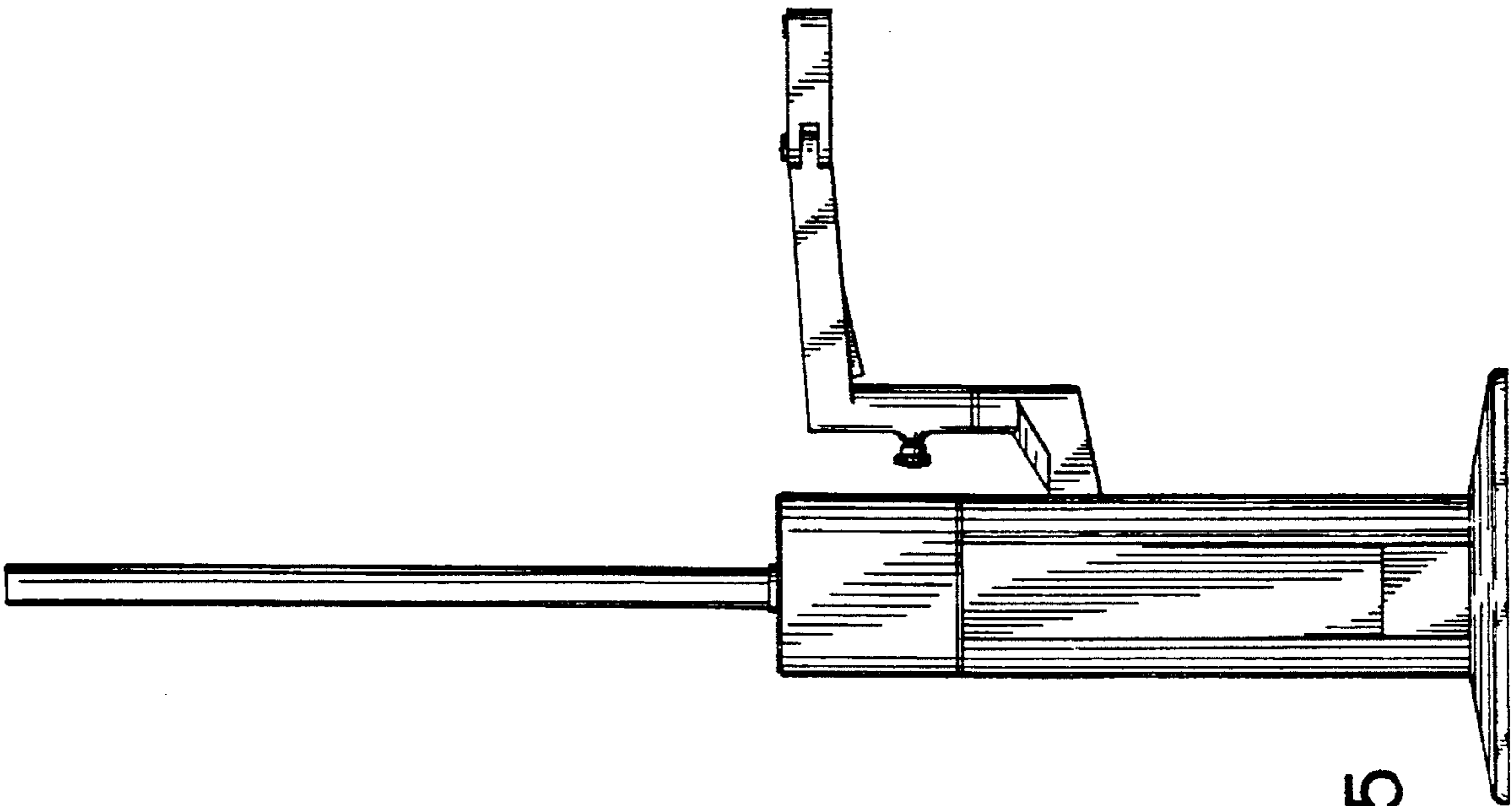


FIG. 5

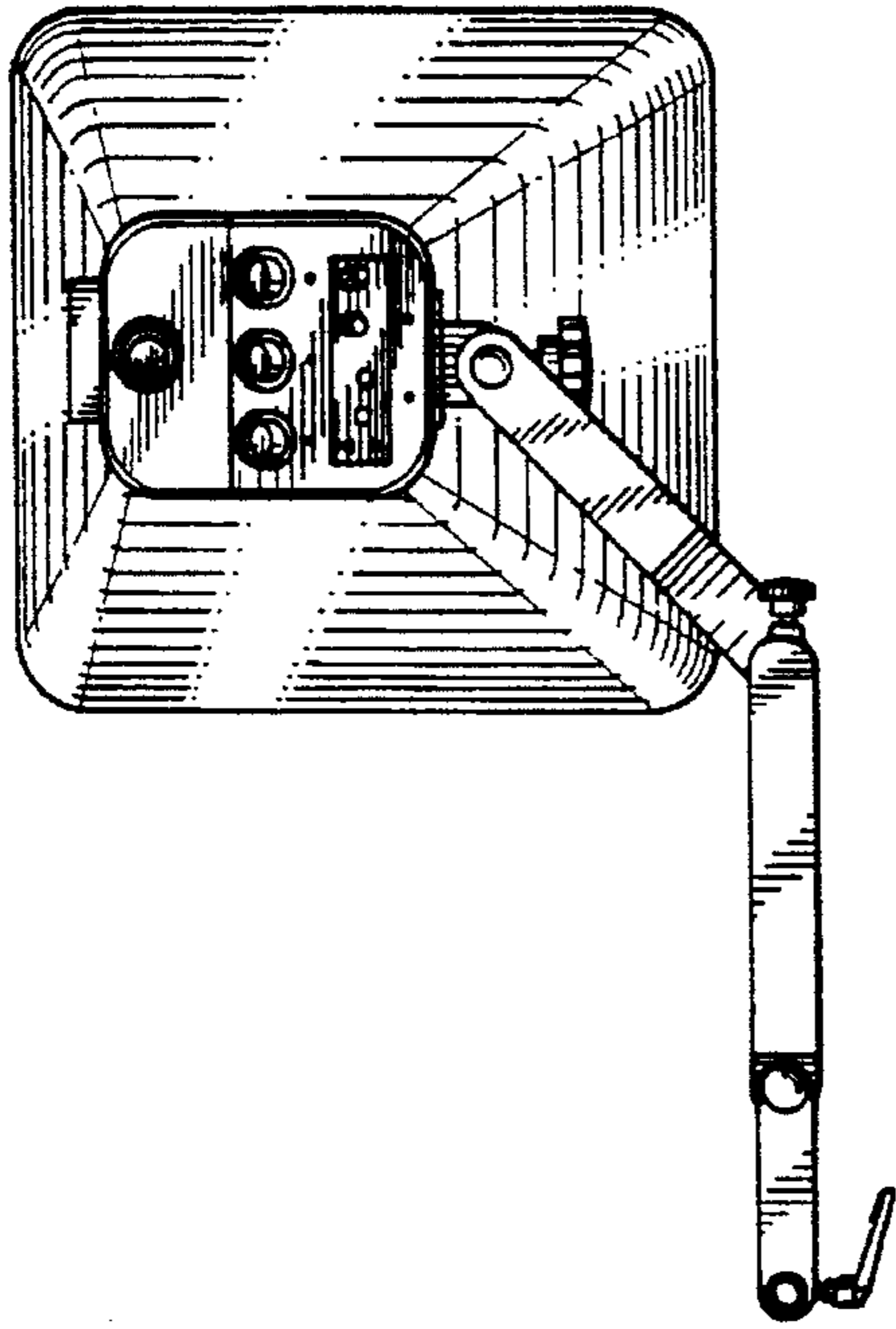


FIG. 6

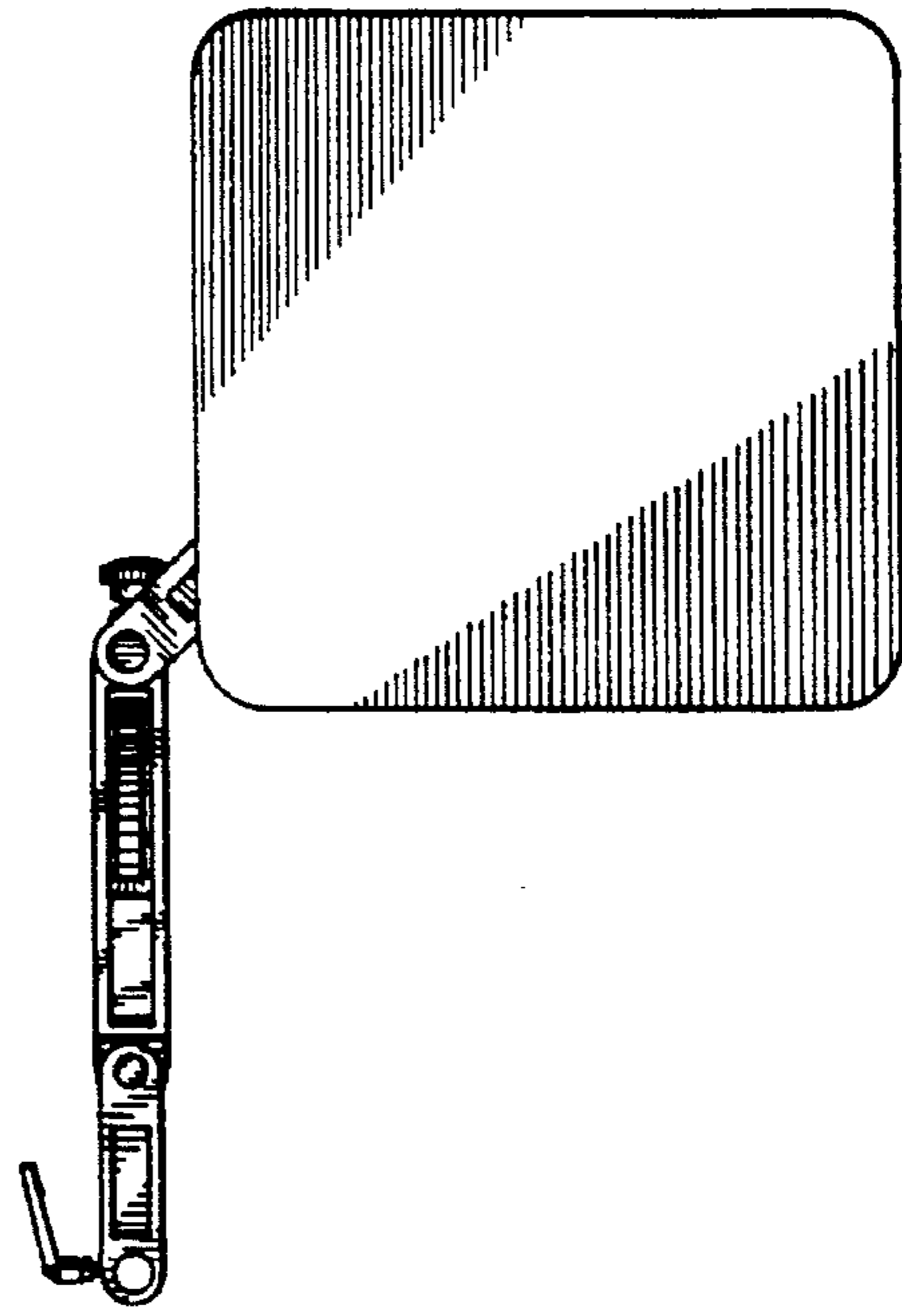


FIG. 7