



US00D378314S

United States Patent [19]

[11] Patent Number: **Des. 378,314**

Koros et al.

[45] Date of Patent: ****Mar. 4, 1997**

[54] **BONE SPINAL IMPLANT**

DESCRIPTION

[76] Inventors: **Tibor Koros; Gabriel Koros**, both of
610 Flinn Ave., Moorpark, Calif. 93021

FIG. 1 is a perspective view of a bone spinal implant,
showing our new design;

[**] Term: **14 Years**

FIG. 2 is a front elevational view thereof;

[21] Appl. No.: **36,381**

FIG. 3 is a rear elevational view thereof;

[22] Filed: **Mar. 20, 1995**

FIG. 4 is a top plan view thereof, with all other sides being
identical thereto;

[52] U.S. Cl. **D24/155**

FIG. 5 is a perspective view of a second embodiment of the
bone spinal implant with all other sides being identical to
that shown and the front and rear elevational views being
identical to that shown in FIG. 2 and FIG. 3;

[58] Field of Search D24/155; 623/17;
606/61, 60, 73, 72

FIG. 6 is a perspective view of a third embodiment of the
bone spinal implant;

[56] **References Cited**

U.S. PATENT DOCUMENTS

4,878,915	11/1989	Brantigan	623/17
5,171,278	12/1992	Pisharodi	623/17
5,217,497	6/1993	Mehdian	623/17

FIG. 7 is a front elevational view thereof;

FIG. 8 is a rear elevational view thereof;

Primary Examiner—Stella Reid
Attorney, Agent, or Firm—Richard D. Slehofer

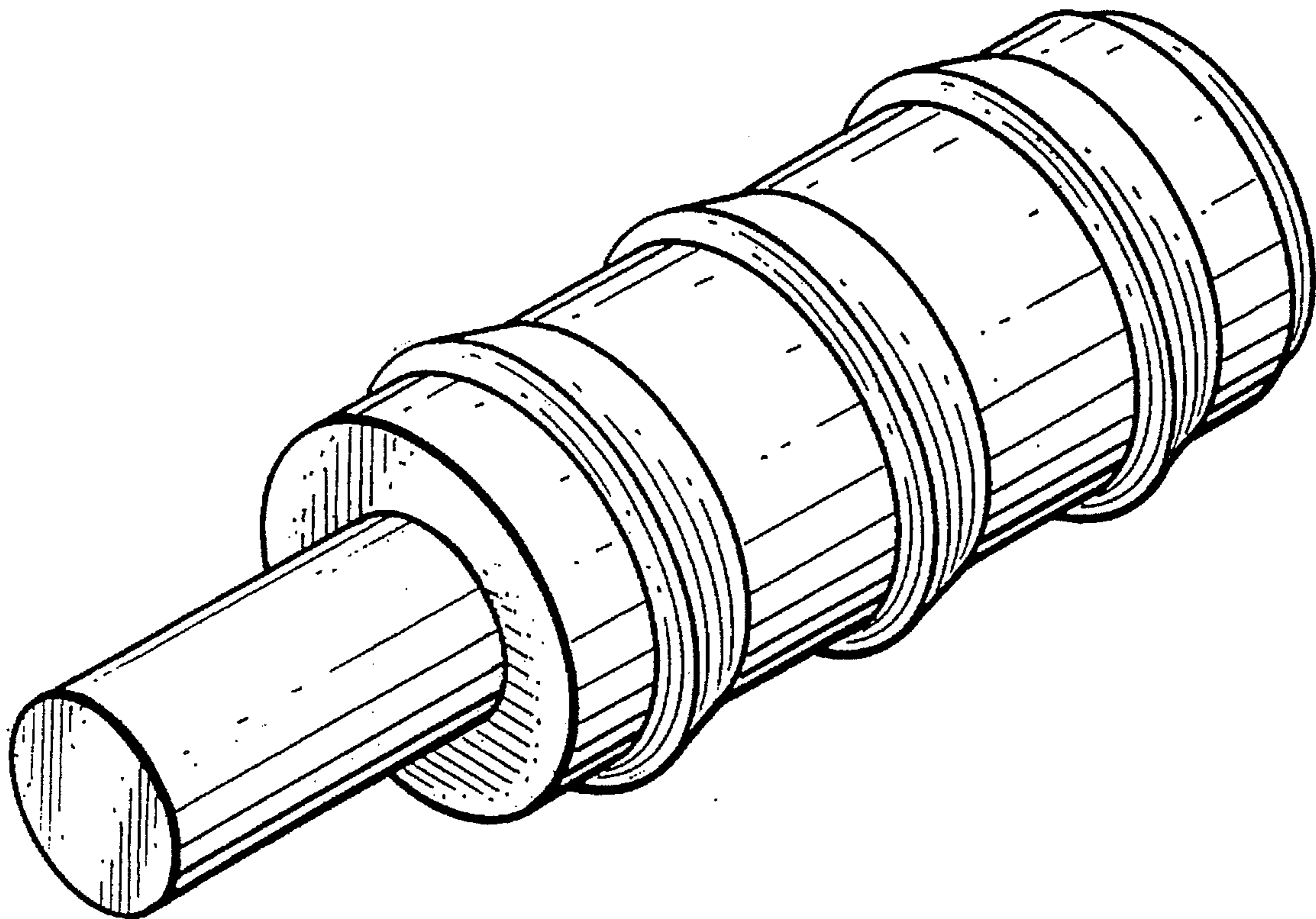
FIG. 9 is a top plan view thereof, with all other sides being
identical to that shown; and,

FIG. 10 is a perspective view of a fourth embodiment of the
bone spinal implant, with all other sides being identical to
that shown and the front and rear elevational views being
identical to that shown in FIG. 7 and FIG. 8.

[57] **CLAIM**

The ornamental design for a bone spinal implant, as shown
and described.

1 Claim, 2 Drawing Sheets



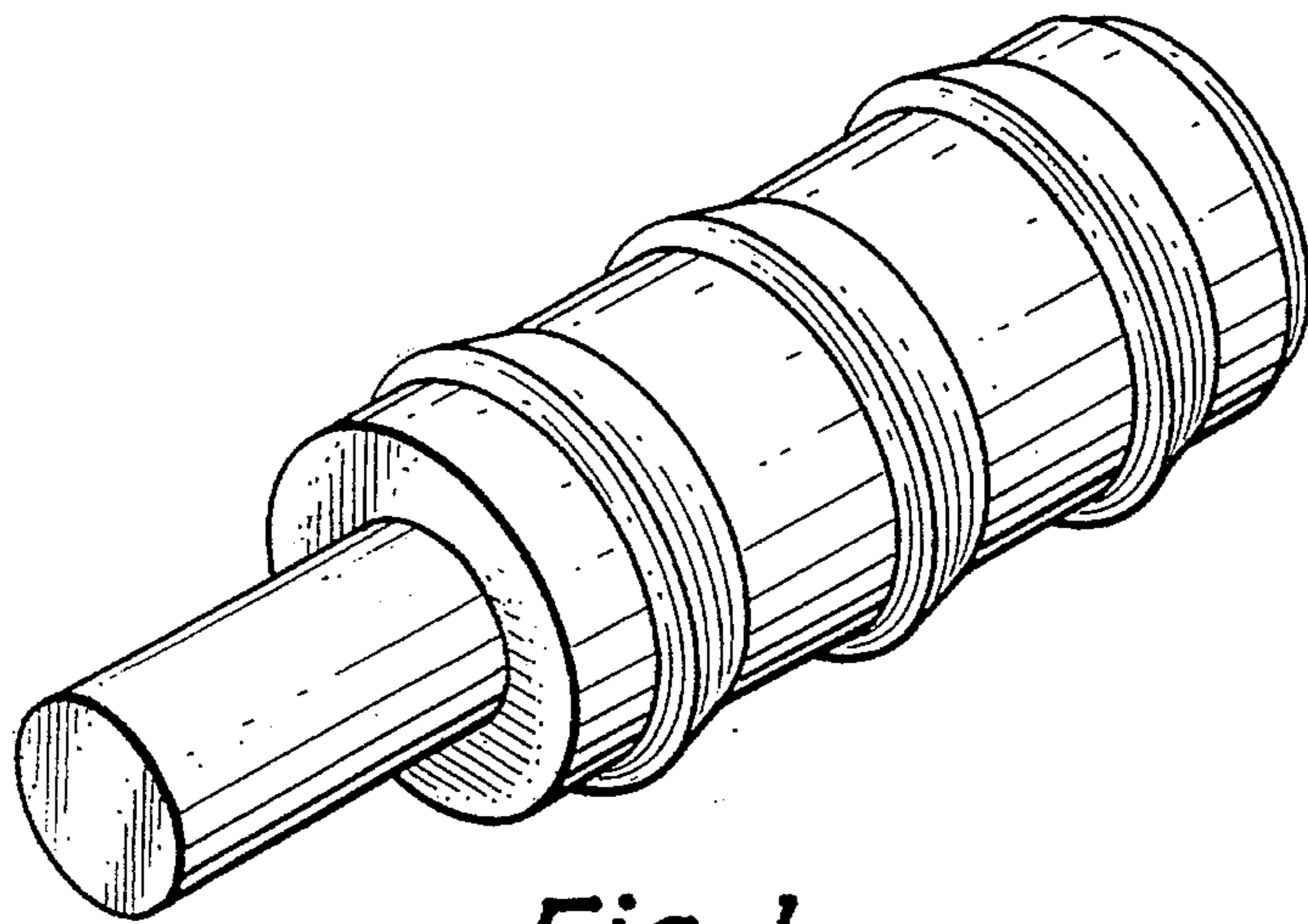


Fig. 1.

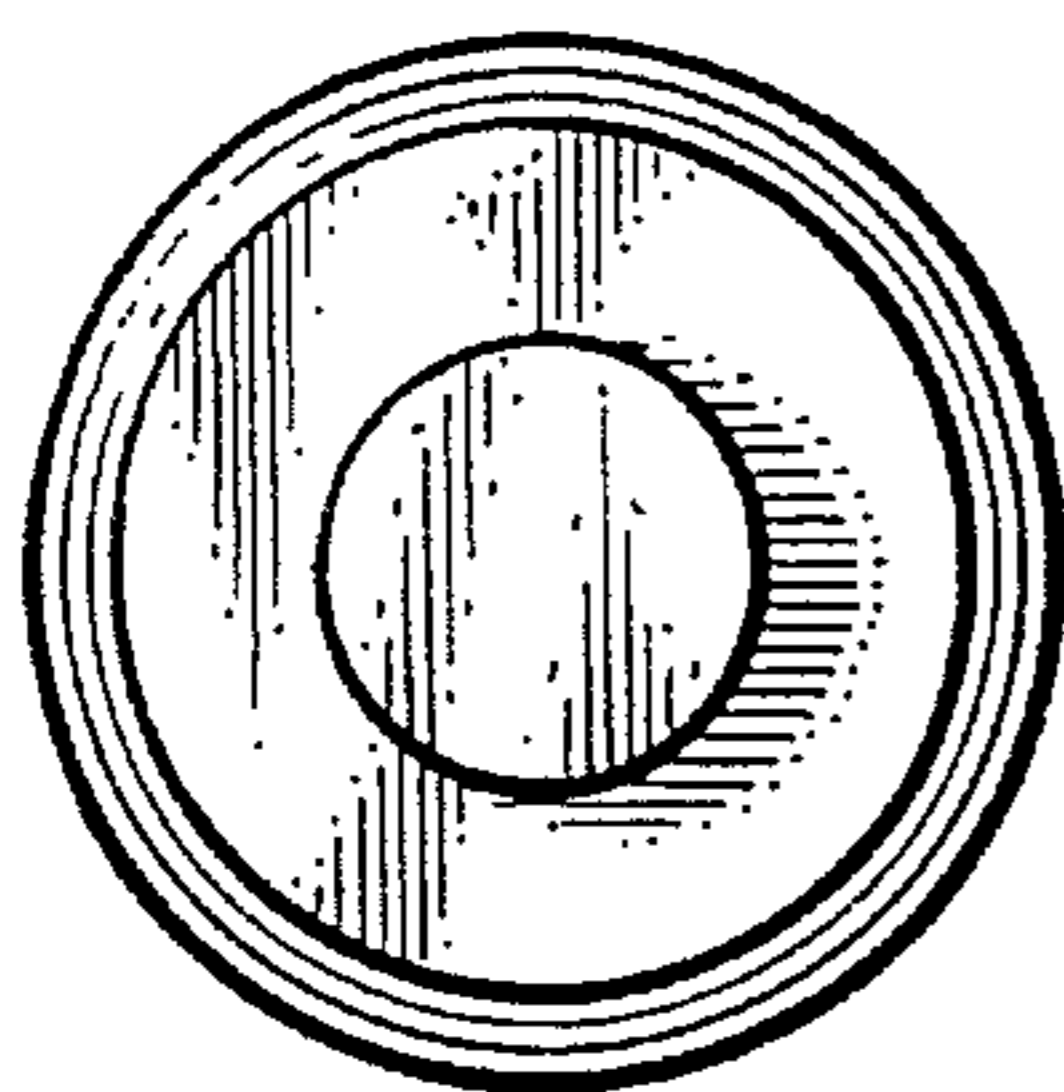


Fig. 2.

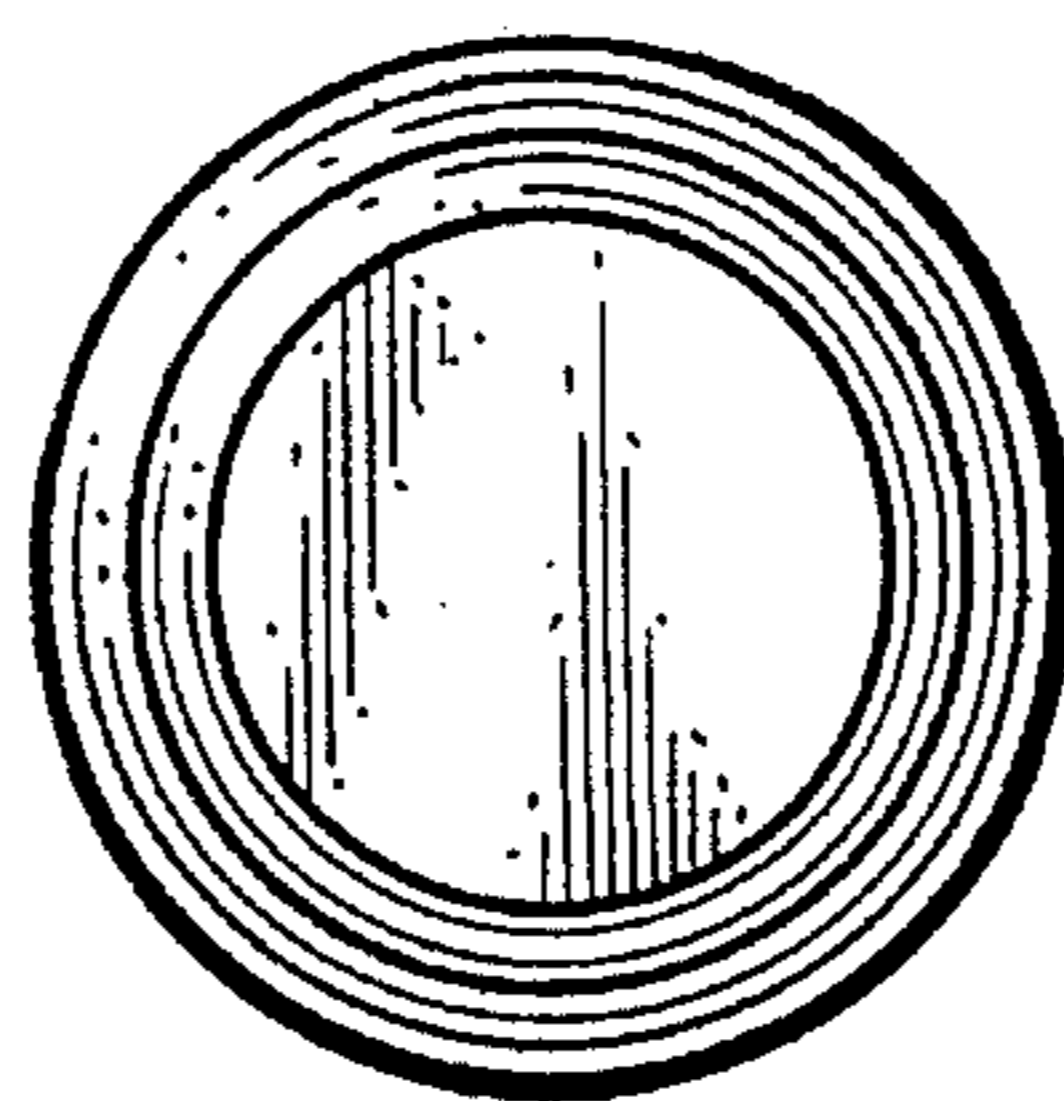


Fig. 3.

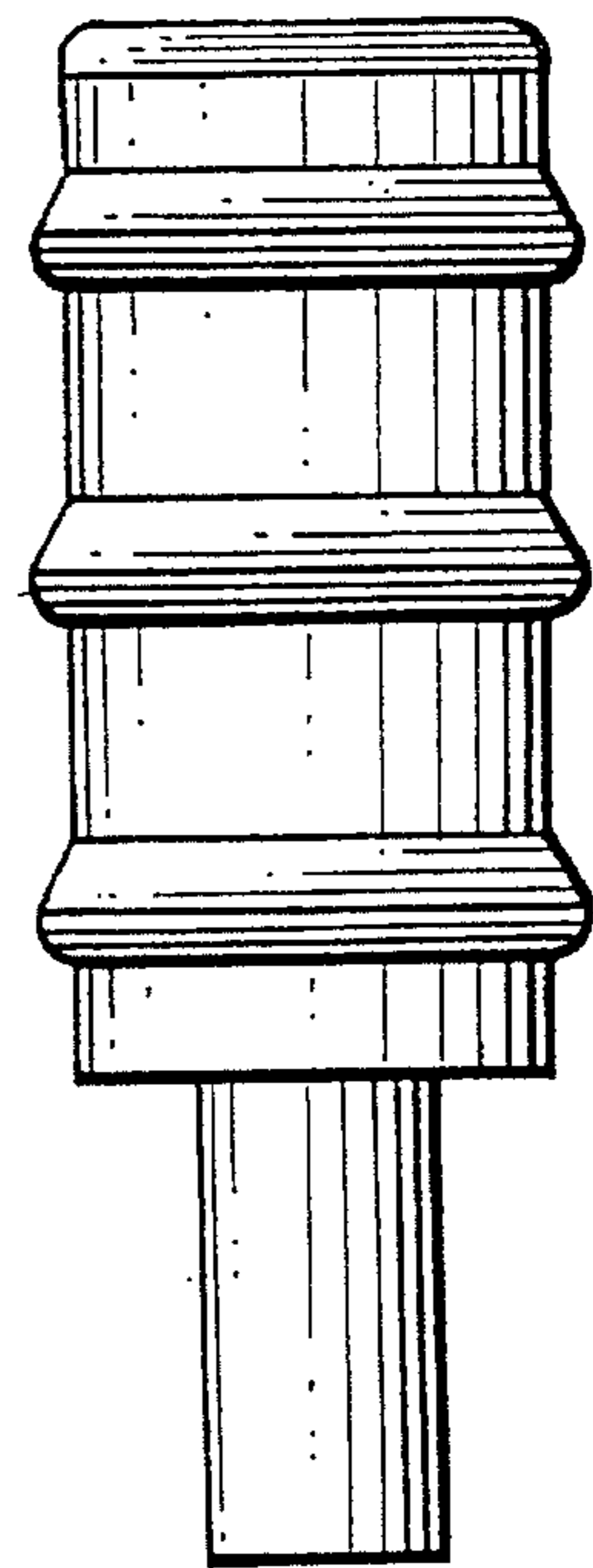


Fig. 4.

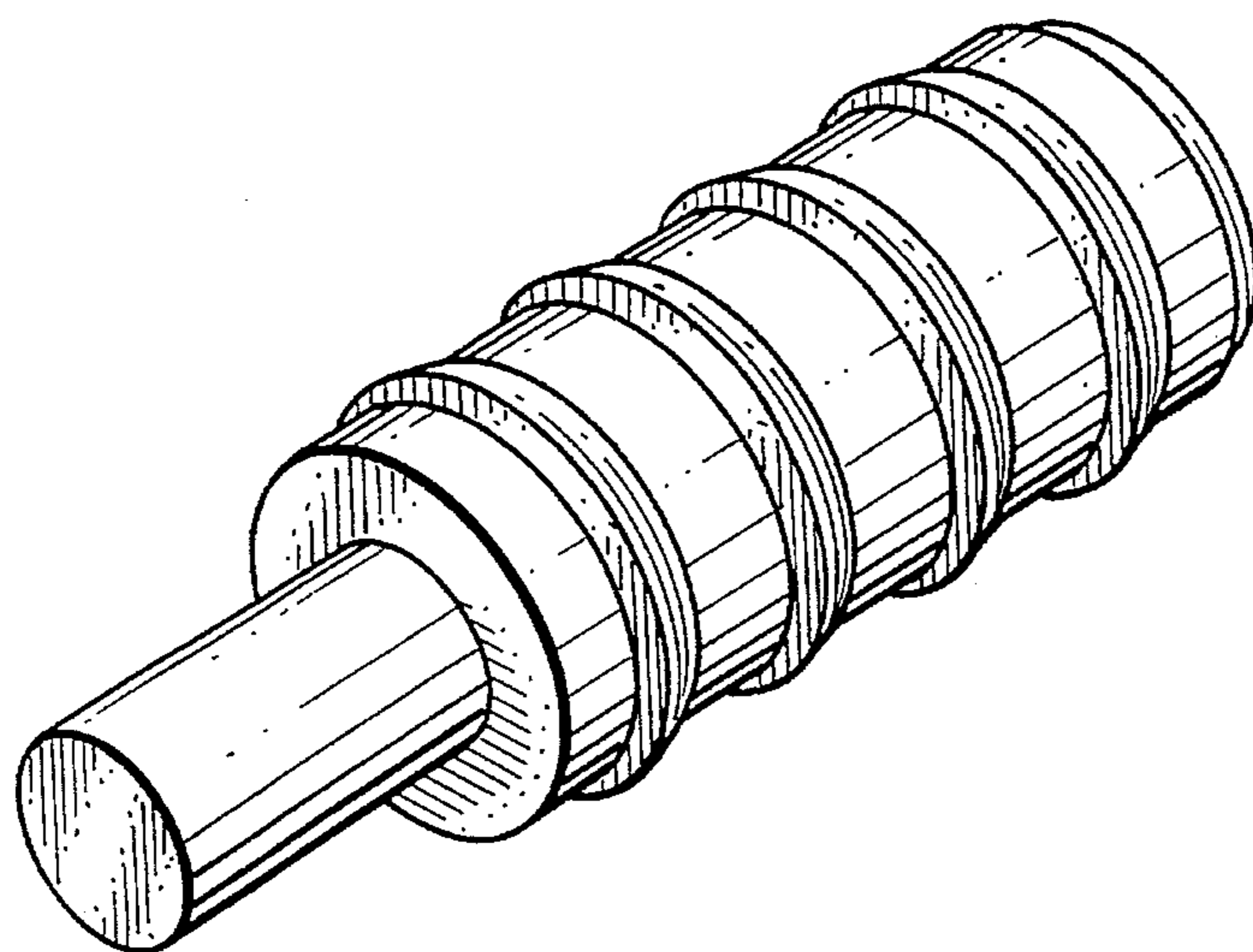


Fig. 5.

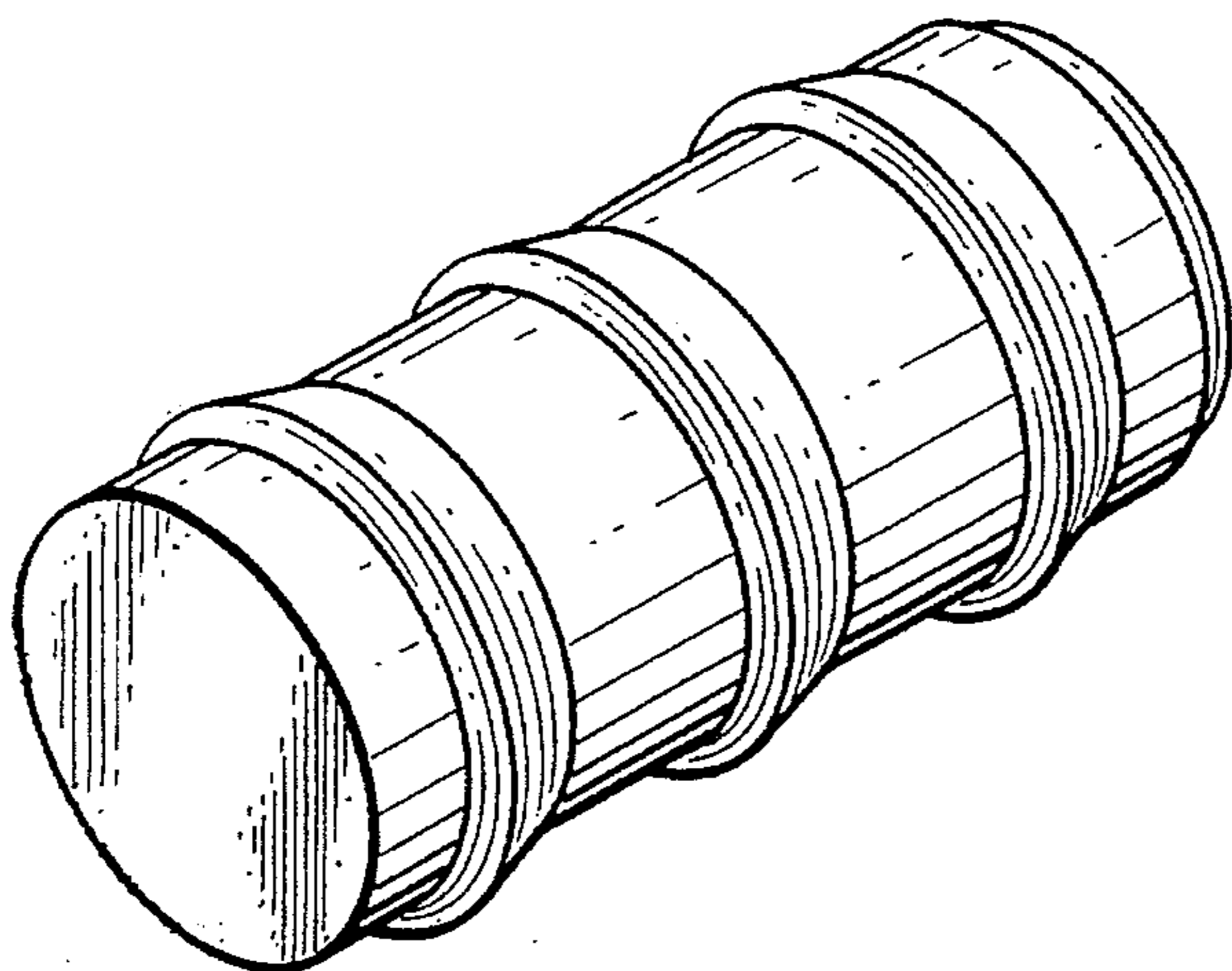


Fig. 6.

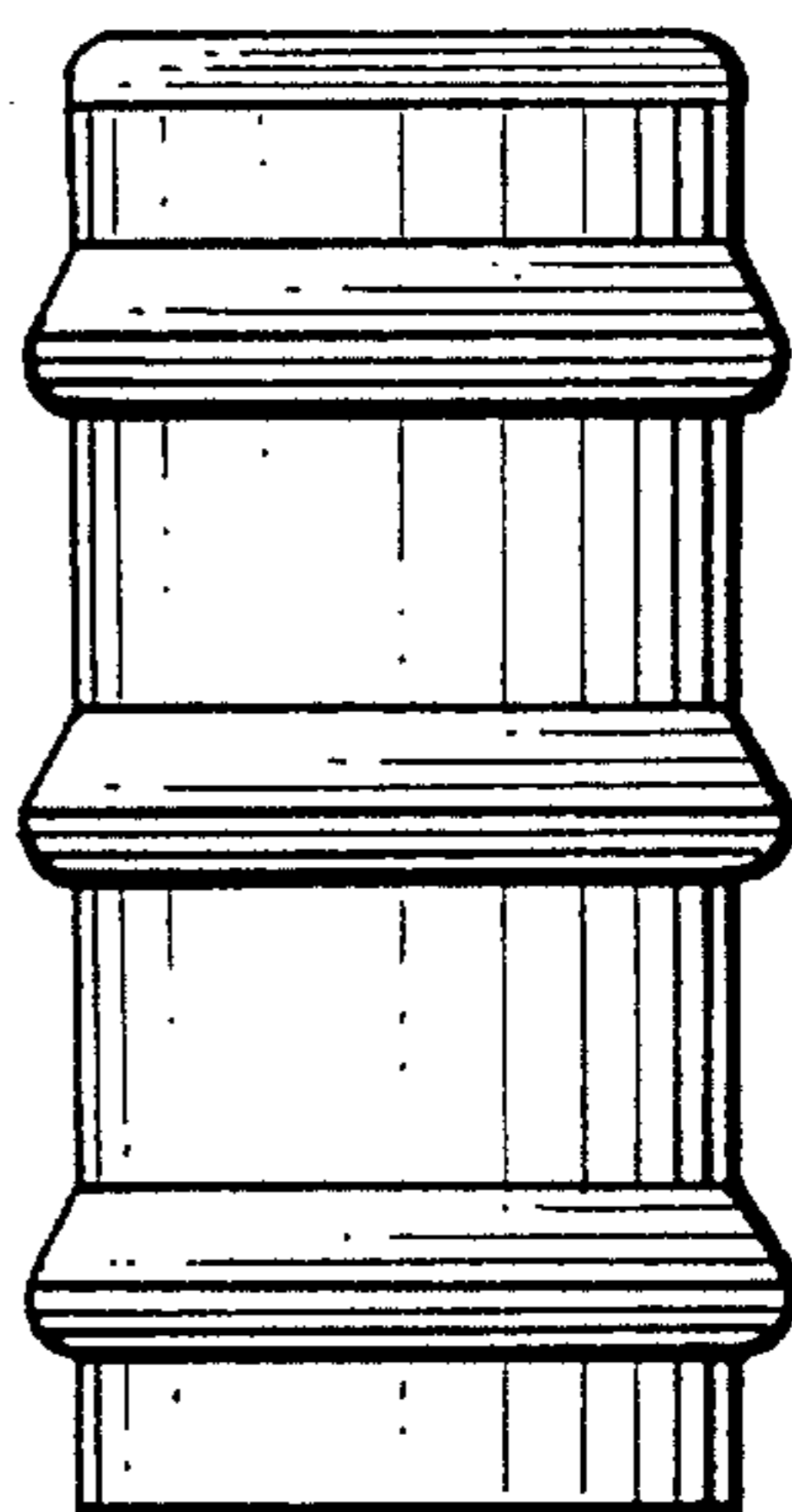


Fig. 9.

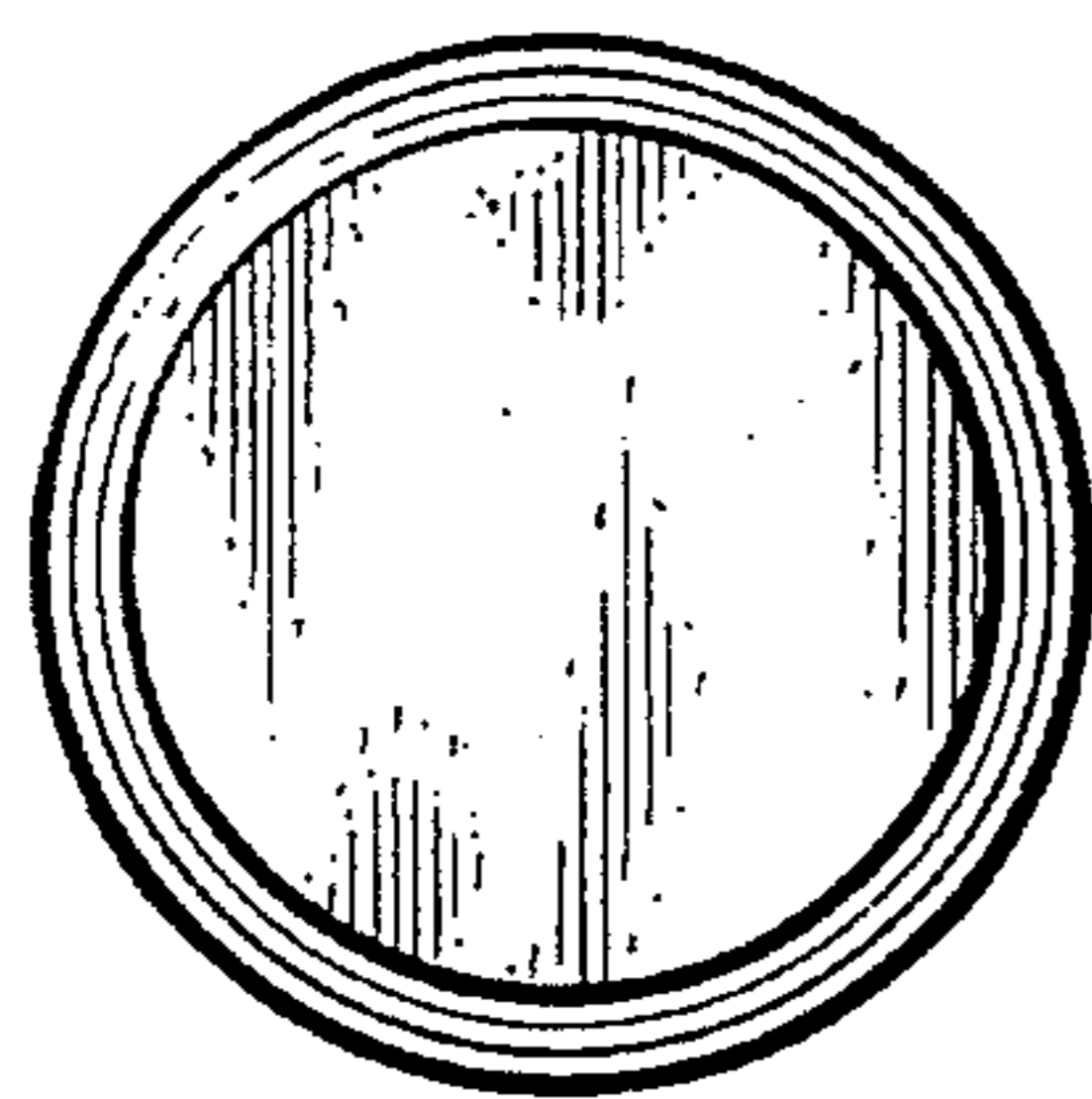


Fig. 7.

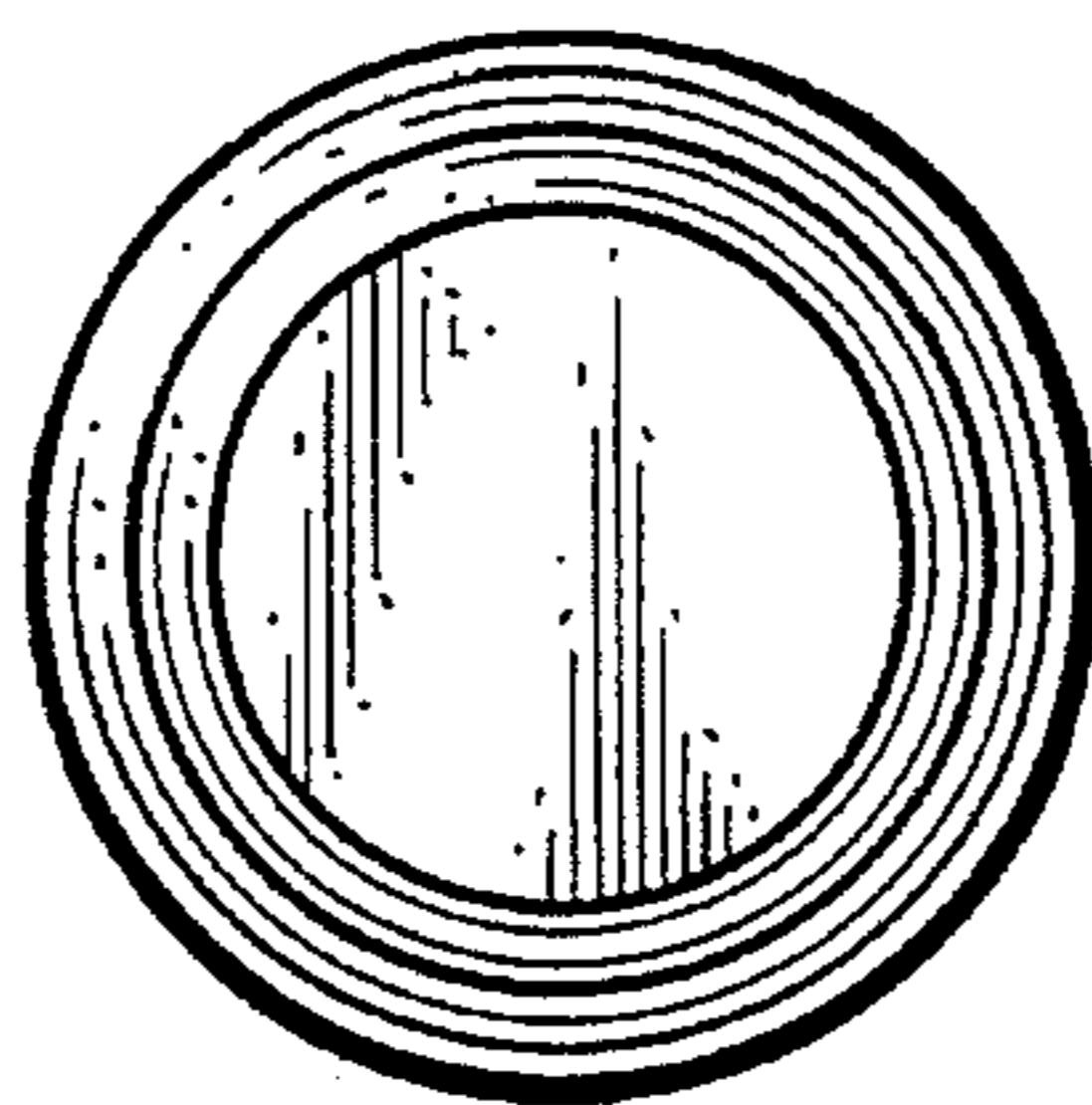


Fig. 8.

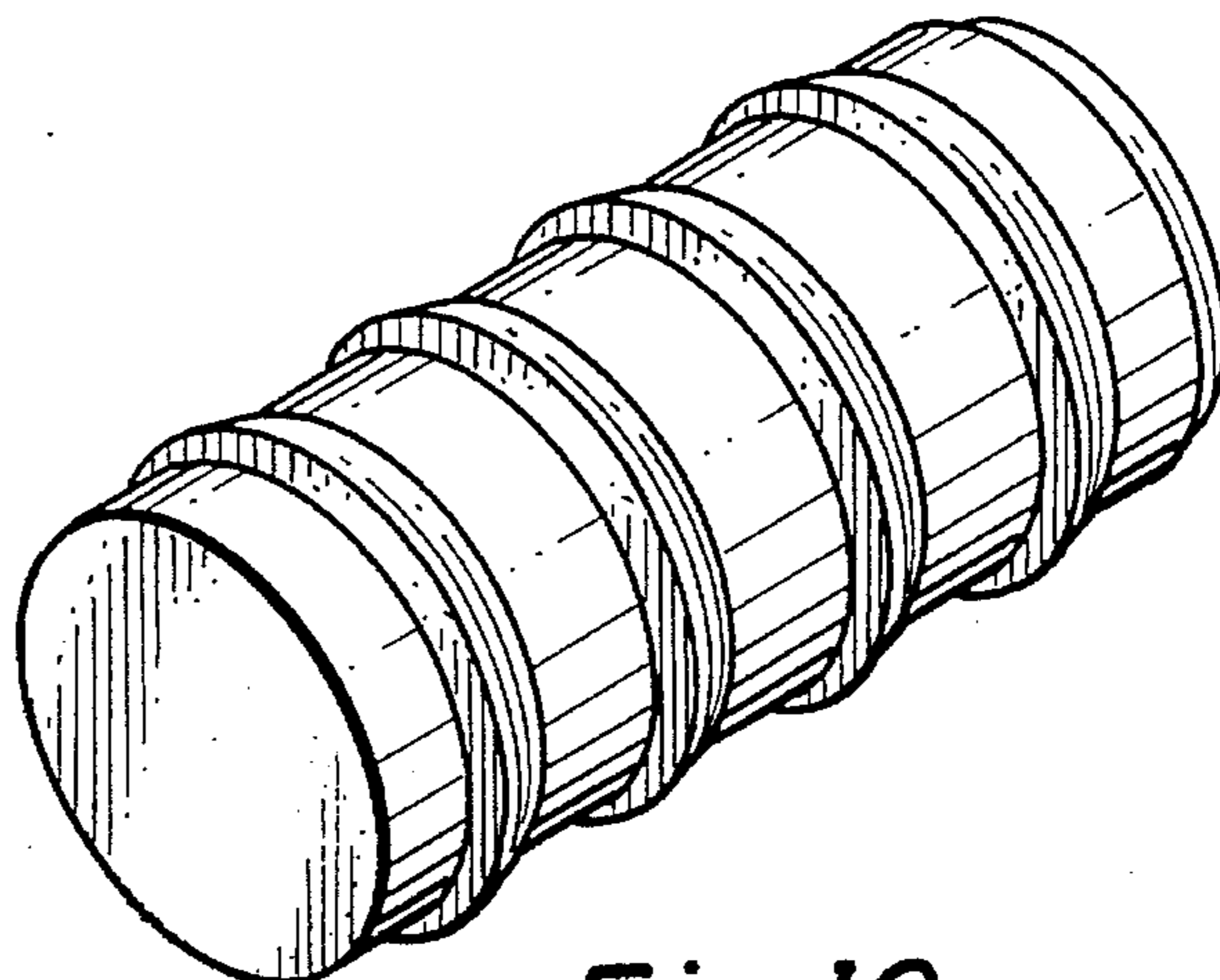


Fig. 10.