



US00D378313S

**United States Patent** [19]  
**Doyle**

[11] **Patent Number: Des. 378,313**  
[45] **Date of Patent: \*\*Mar. 4, 1997**

[54] **SPACER - SEPTAL SPLINT**  
[76] Inventor: **Donald E. Doyle**, 4105 Hospital Rd.,  
#102A, Pascagula, Miss. 39581  
[\*\*] Term: **14 Years**  
[21] Appl. No.: **37,938**  
[22] Filed: **Apr. 24, 1995**  
[52] U.S. Cl. .... **D24/128; D8/354; D8/367;**  
**D8/373**  
[58] **Field of Search** ..... D24/128, 127;  
604/180, 174, 179, 304, 305, 307; 128/207.18,  
DIG. 26, 204.21, 204.23, 204.26, 719,  
858, 877; 248/75, 298.1, 303, 305; 606/204.45,  
151, 153; 602/17; D6/567; D8/354, 367,  
373

4,823,789 4/1989 Beisang, III ..... 128/207.18  
5,094,233 3/1992 Brennan ..... 602/17 X  
5,156,641 10/1992 White ..... 128/DIG. 26 X  
5,172,688 12/1992 Dillon ..... 128/207.18  
5,306,256 4/1994 Jose ..... 604/180  
5,350,396 9/1994 Eliachar ..... 602/17 X  
5,456,671 10/1995 Bierman ..... 604/180  
5,496,283 3/1996 Alexander ..... 604/180

*Primary Examiner*—James M. Gandy  
*Assistant Examiner*—Linda Brooks  
*Attorney, Agent, or Firm*—Roger A. Marrs

[56] **References Cited**

**U.S. PATENT DOCUMENTS**

4,153,051 5/1979 Shippert ..... 602/17  
4,274,402 6/1981 Shippert ..... 602/17  
4,336,806 6/1982 Eldridge, Jr. .... 604/174  
4,402,314 9/1983 Goode ..... 606/204.45  
4,818,320 4/1989 Weichselbaum ..... 128/207.18 X

[57] **CLAIM**

The ornamental design for a spacer - septal splint, as shown.

**DESCRIPTION**

FIG. 1 is a front perspective view showing my new design for a spacer - septal splint;  
FIG. 2 is a rear elevational view thereof;  
FIG. 3 is a front elevational view thereof;  
FIG. 4 is a side elevational view thereof;  
FIG. 5 is a top plan view thereof; and,  
FIG. 6 is a bottom view thereof.

**1 Claim, 1 Drawing Sheet**

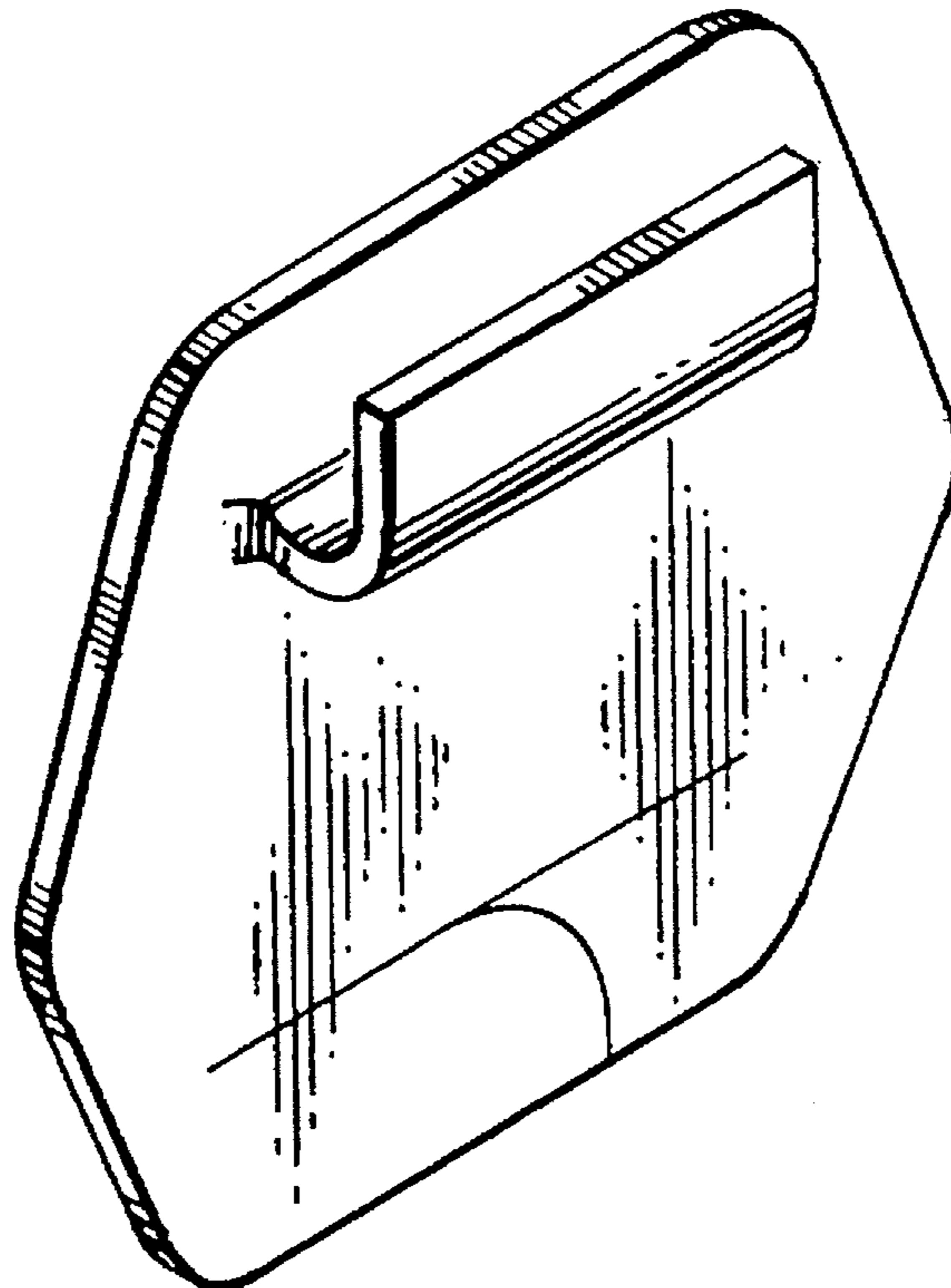


FIG. 1

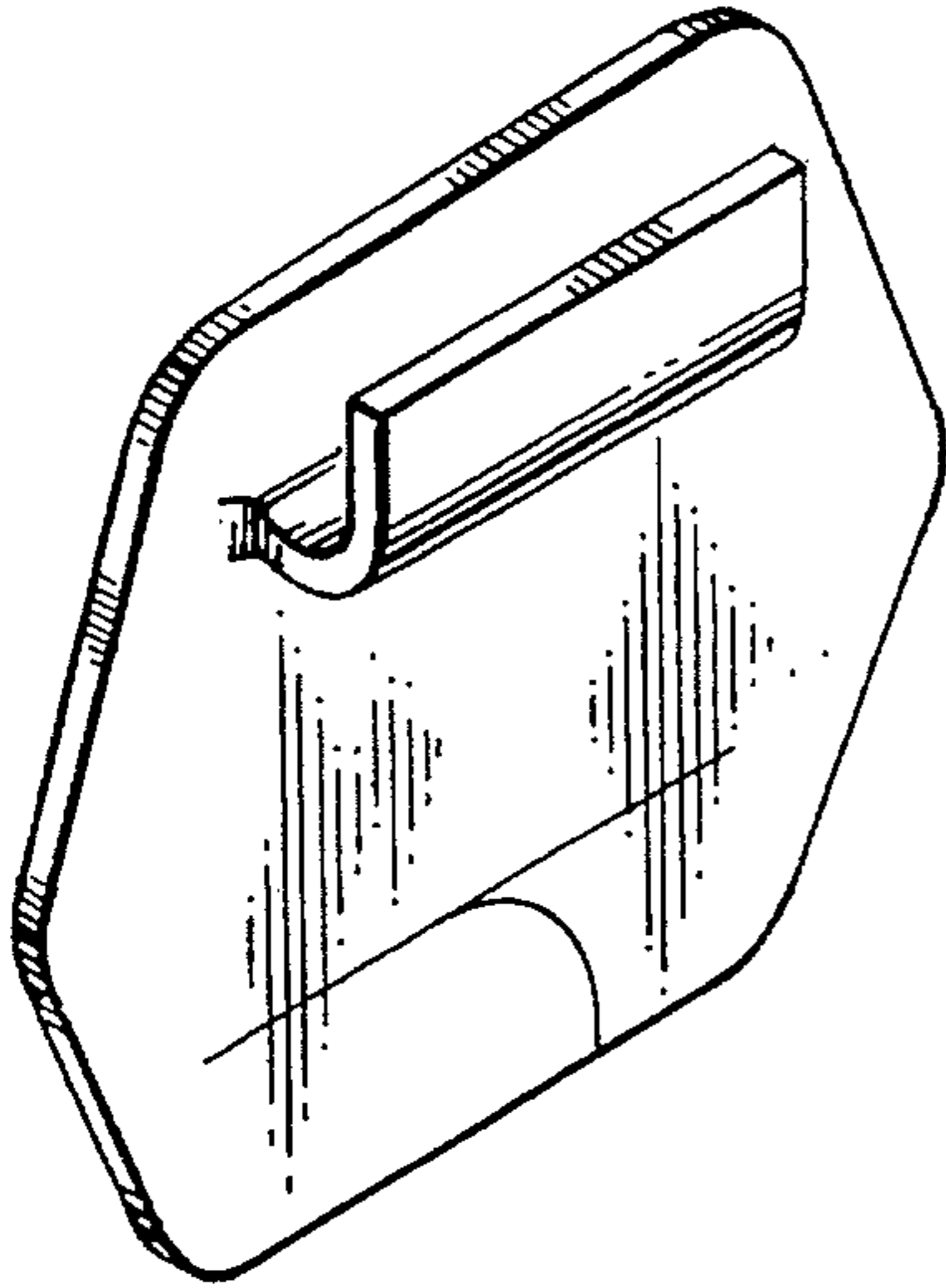


FIG. 2

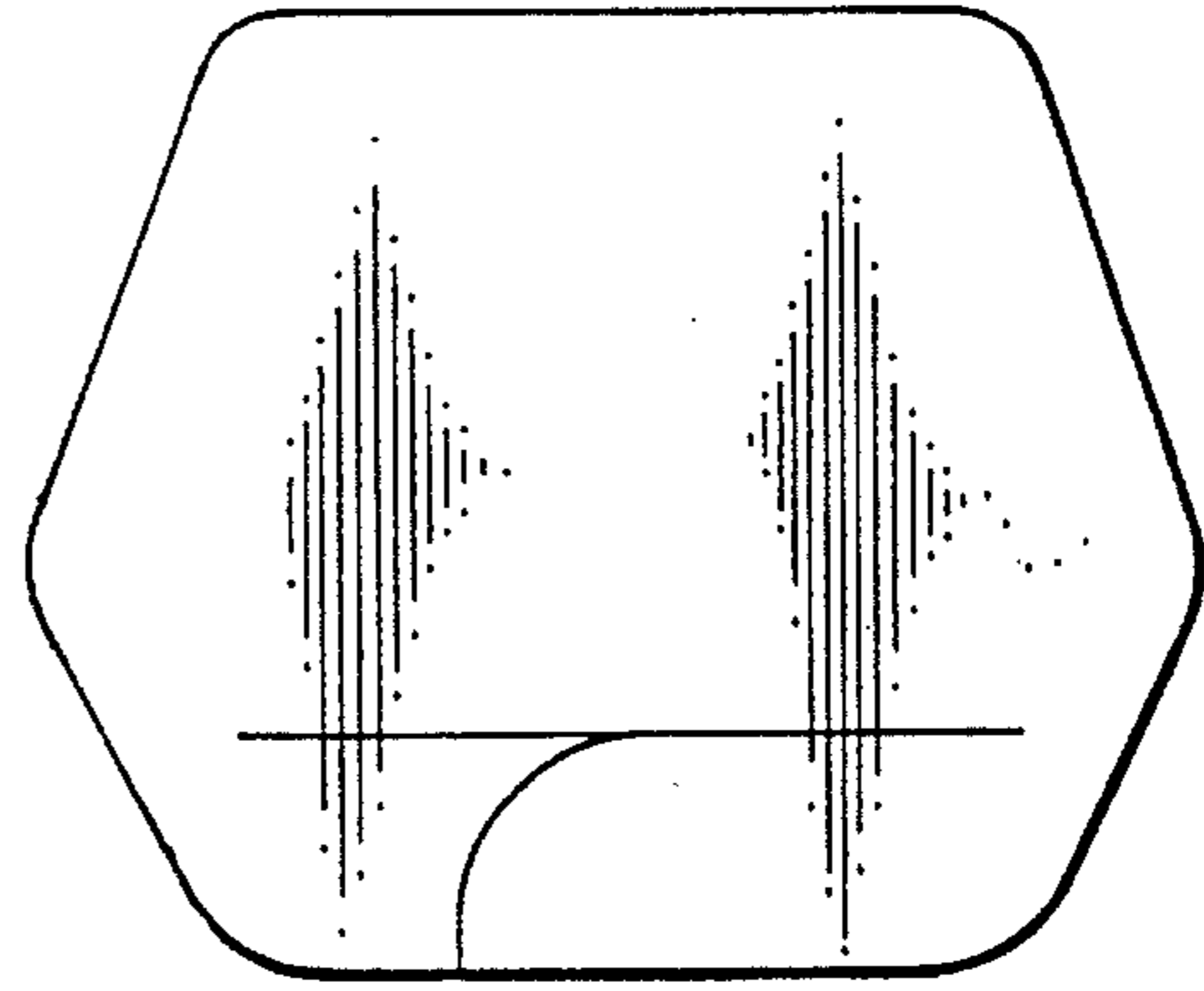


FIG. 3

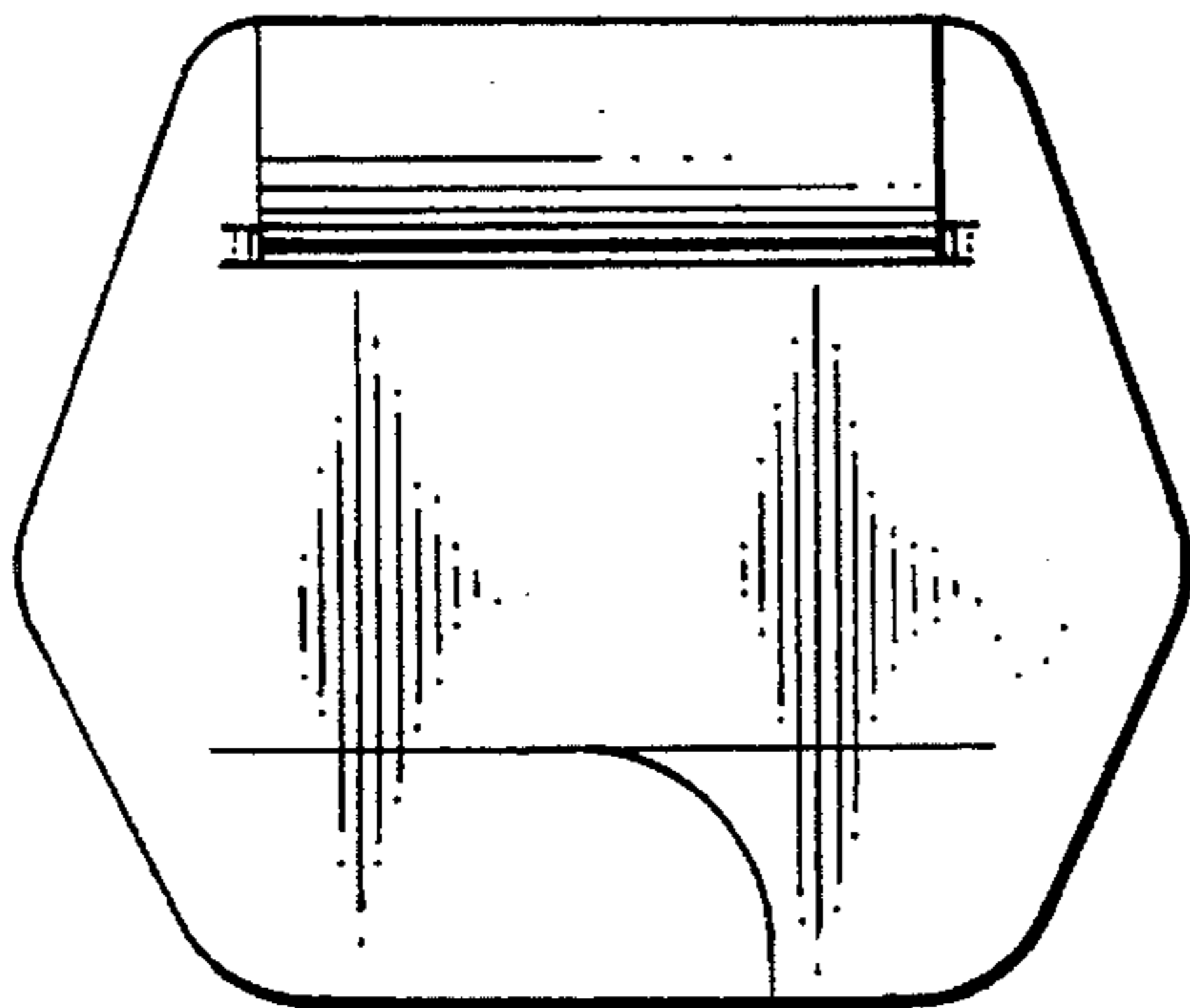


FIG. 4



FIG. 5

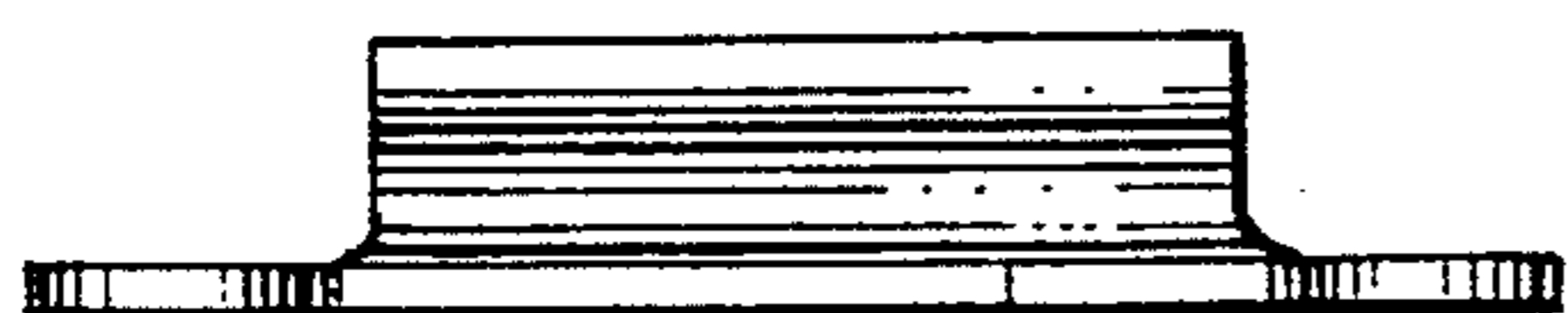


FIG. 6