



US00D378311S

United States Patent [19]
Dartnall

[11] **Patent Number: Des. 378,311**
[45] **Date of Patent: **Mar. 4, 1997**

[54] **TOILET SEAT**
[75] Inventor: **Adrian D. E. Dartnall**, Loughborough,
England
[73] Assignee: **Gordon Ellis & Company**, Derby,
United Kingdom
[**] Term: **14 Years**
[21] Appl. No.: **47,499**
[22] Filed: **Dec. 6, 1995**
[30] **Foreign Application Priority Data**
Jun. 13, 1995 [GB] United Kingdom 2048152
[52] **U.S. Cl.** **D23/311**
[58] **Field of Search** D23/295-301,
D23/303, 309, 311; 4/237, 234, 246.1

3,594,831 7/1971 Brewer 4/237
3,971,077 7/1976 O'Neil 4/239
4,168,552 9/1979 Austin 4/237
4,977,628 12/1990 Barrett 4/237

FOREIGN PATENT DOCUMENTS

2050203 1/1996 United Kingdom .
95/00144 10/1995 WIPO .

Primary Examiner—Louis S. Zarfes
Assistant Examiner—G. Andoll
Attorney, Agent, or Firm—Dellett and Walters

[57] **CLAIM**

The ornamental design for a toilet seat, as shown and described.

DESCRIPTION

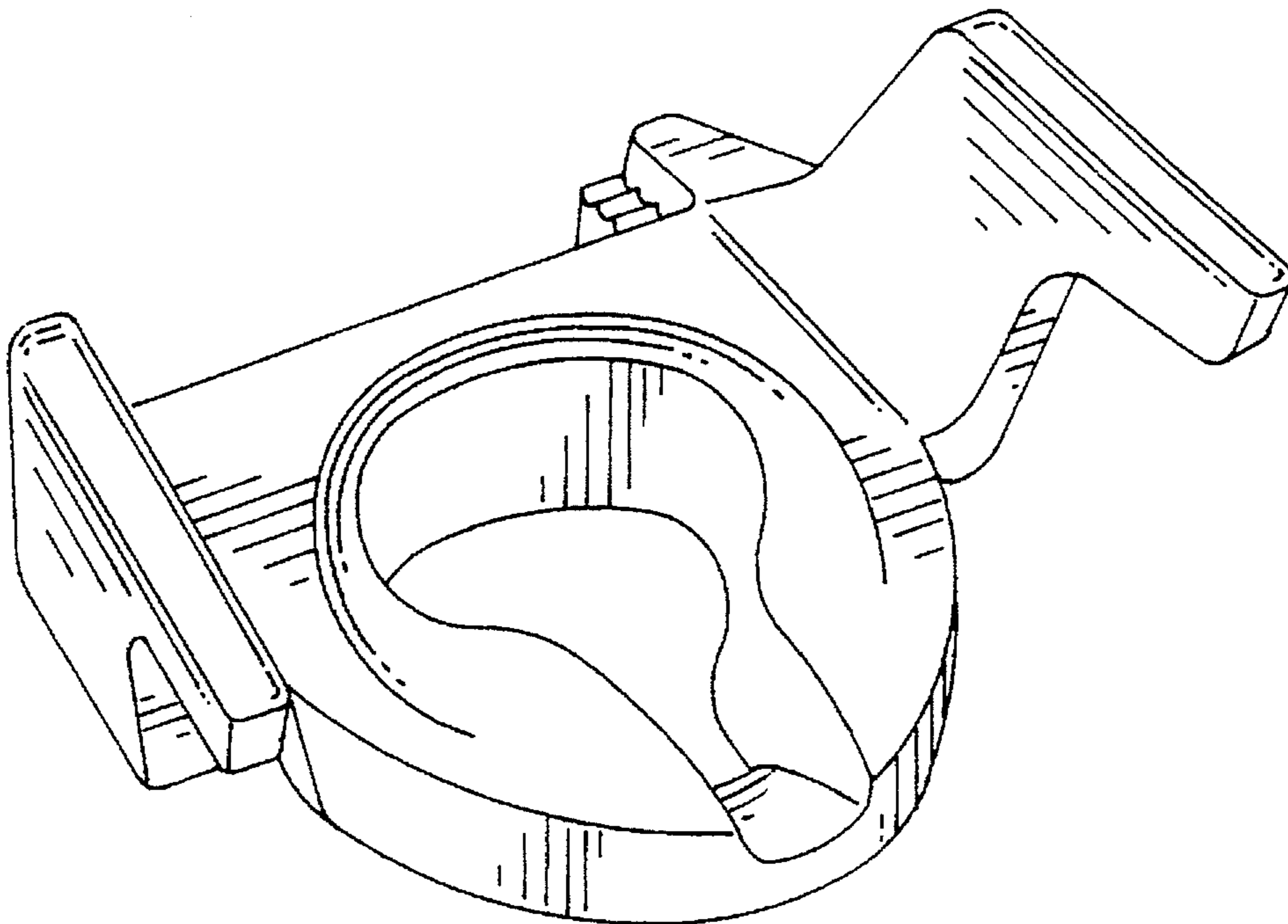
FIG. 1 is a top view of the toilet seat embodying my new design;
FIG. 2 is a front view thereof;
FIG. 3 is a rear view thereof;
FIG. 4 is a side view thereof, the other side being a mirror image;
FIG. 5 is a bottom view thereof; and,
FIG. 6 is a perspective thereof.

[56] **References Cited**

U.S. PATENT DOCUMENTS

D. 161,933 2/1951 Vance D23/296
D. 236,120 7/1975 O'Neil D23/71
D. 290,035 5/1987 Mann et al. D23/71
D. 346,206 4/1994 Crossley et al. D23/296
455,387 7/1891 Brummer D23/296
2,358,265 9/1944 Thomas 4/254

1 Claim, 3 Drawing Sheets



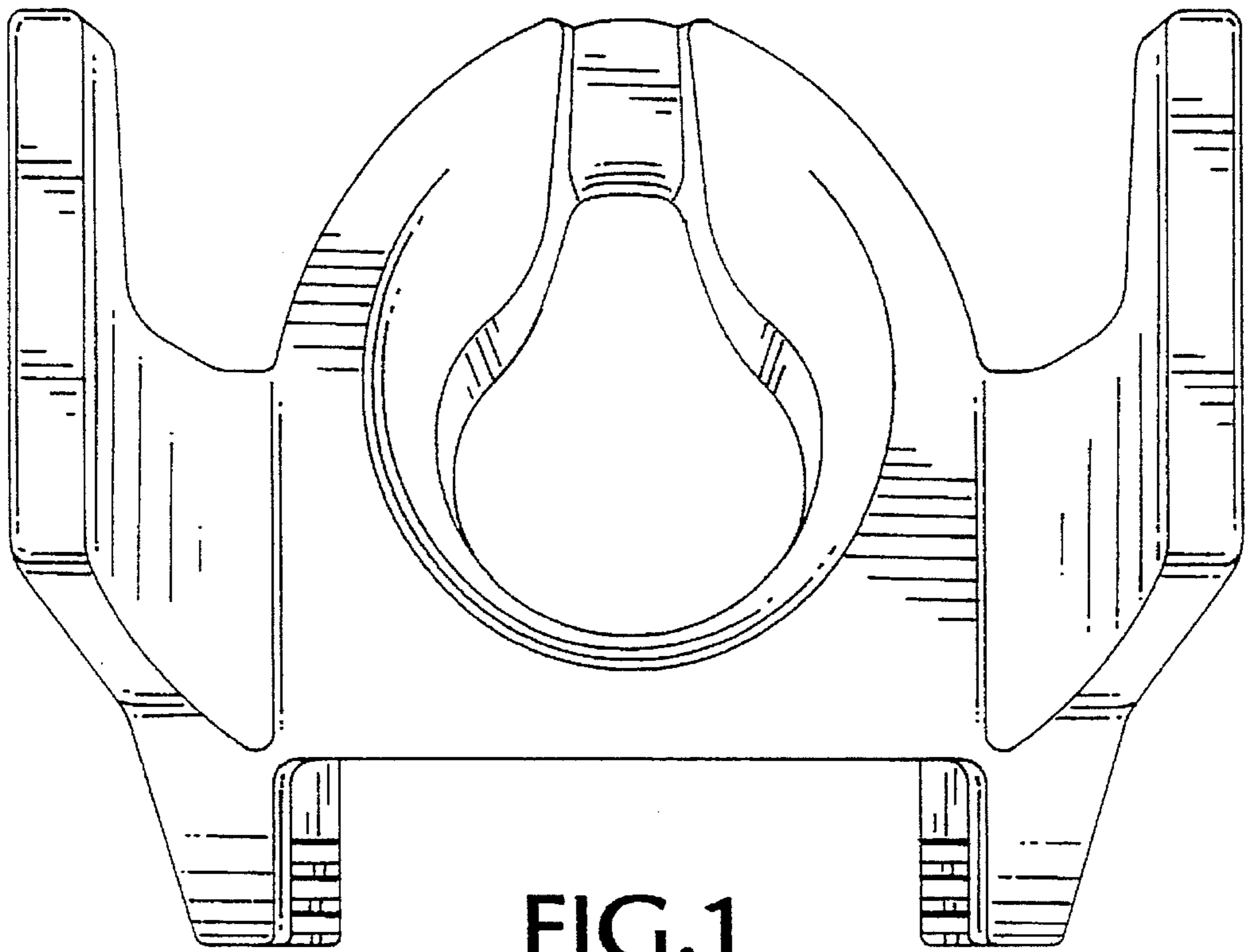


FIG. 1

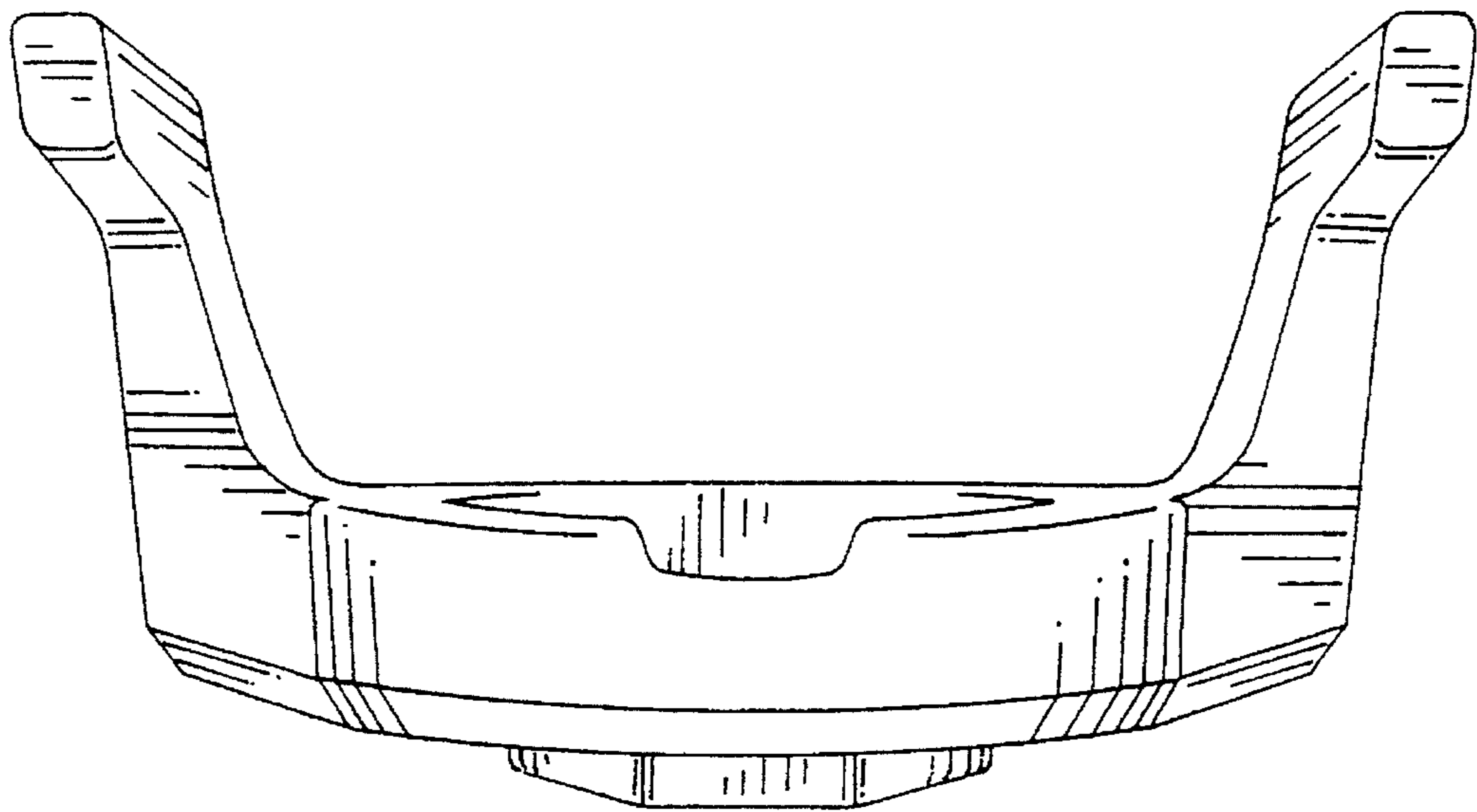


FIG. 2

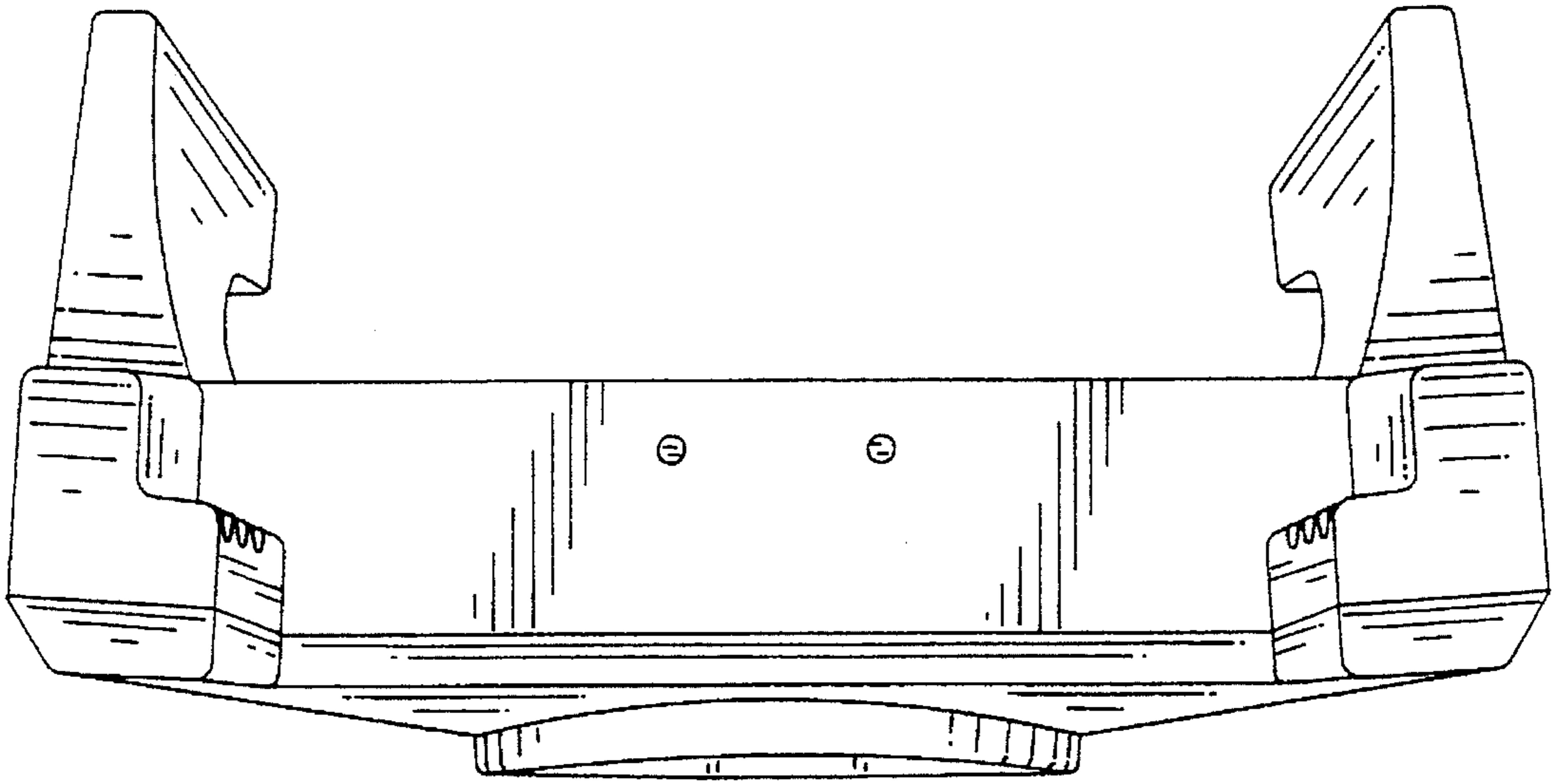


FIG. 3

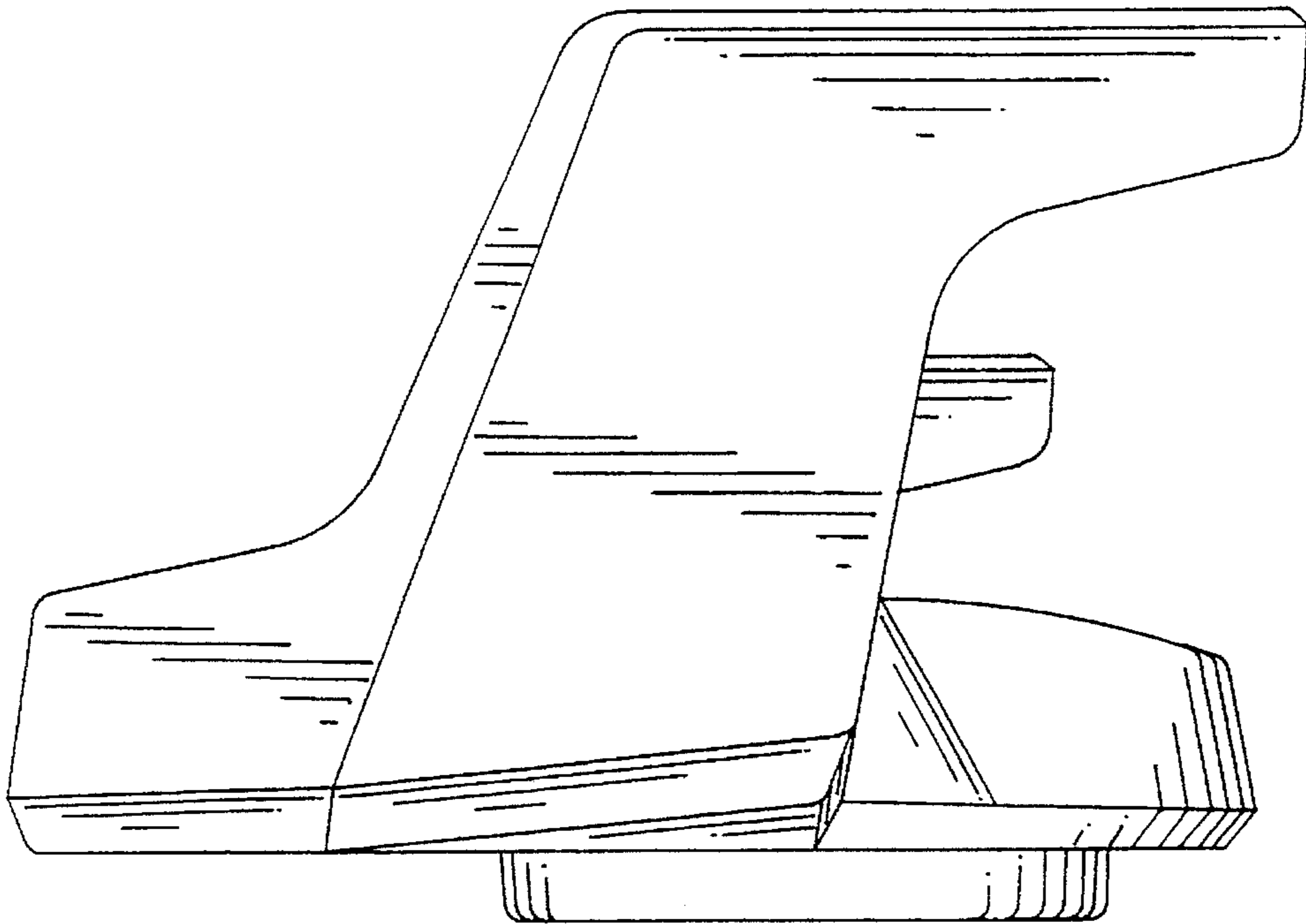


FIG. 4

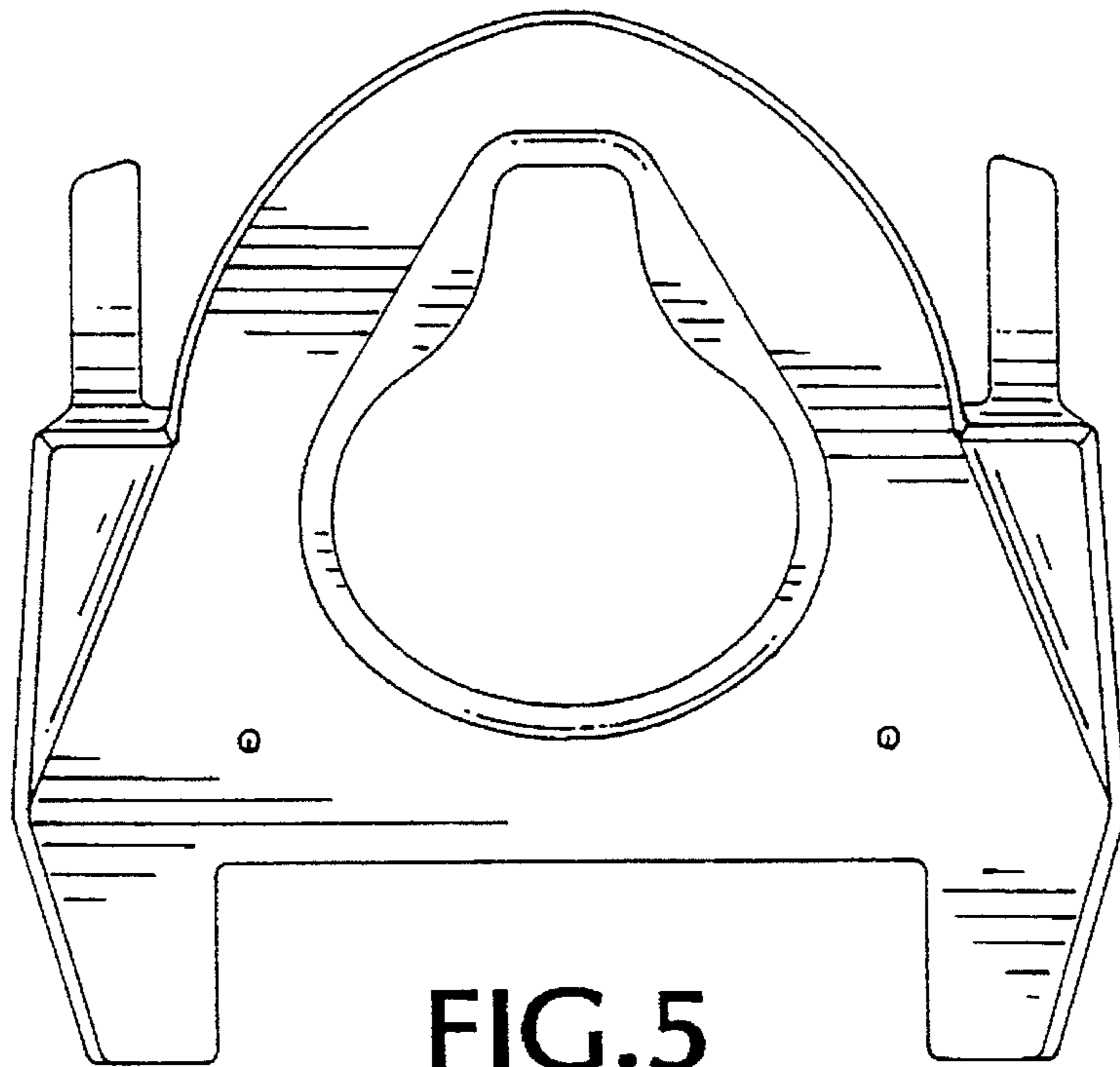


FIG. 5

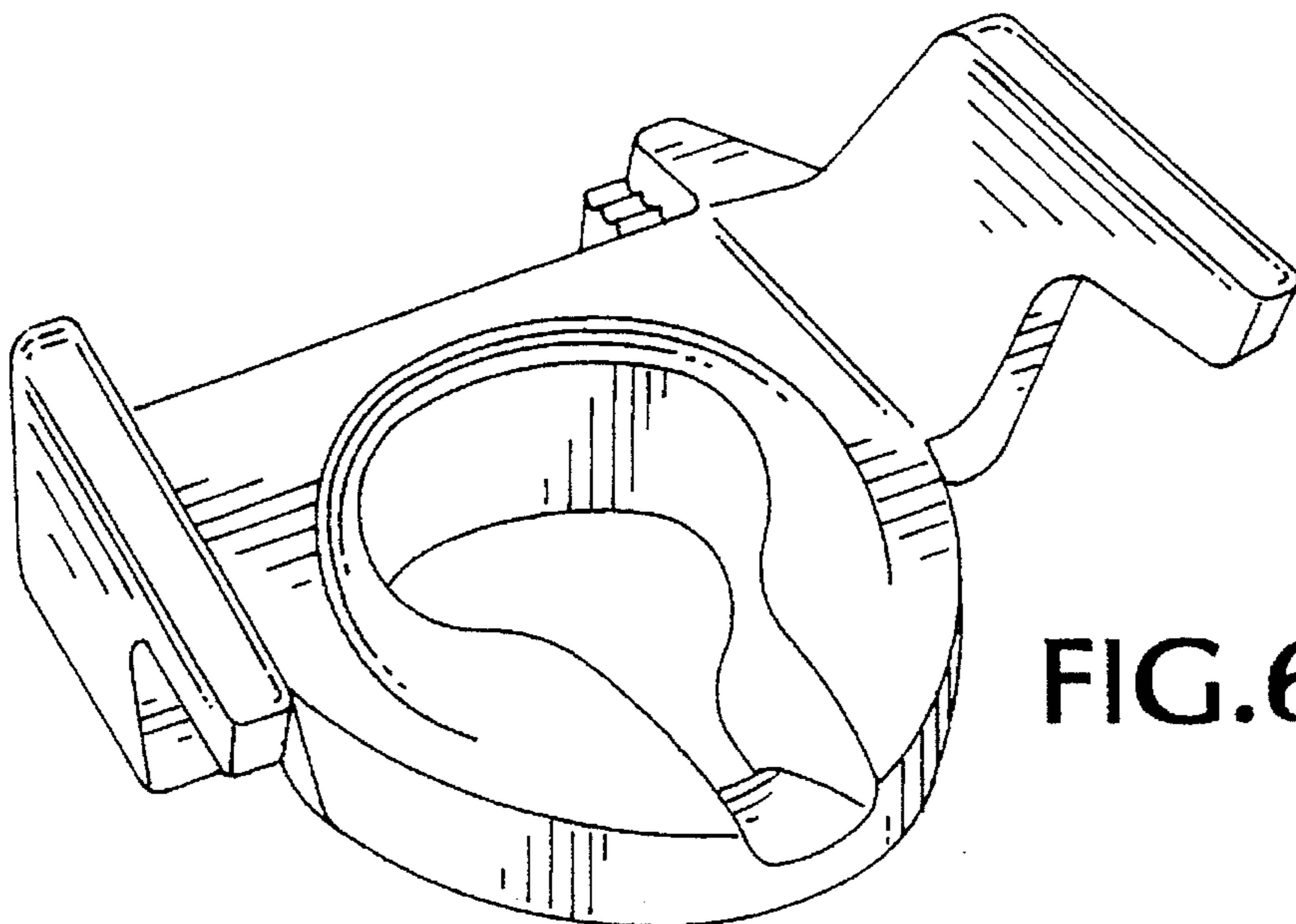


FIG. 6