



US00D378310S

United States Patent [19]
Moon

[11] **Patent Number: Des. 378,310**
[45] **Date of Patent: **Mar. 4, 1997**

[54] **FAUCET**
[75] **Inventor: In-Ho Moon, Seoul, Rep. of Korea**
[73] **Assignee: American Standard Inc., Piscataway, N.J.**
[**] **Term: 14 Years**

D. 229,495 12/1973 Landell D23/241
D. 344,575 2/1994 Hill et al. D23/255
D. 348,508 7/1994 Yost D23/238
4,552,171 11/1985 Farrell et al. 4/677 X

Primary Examiner—Stella Reid
Assistant Examiner—Eric Watterson
Attorney, Agent, or Firm—Elaine Brenner Robinson; Ann M. Knab

[21] **Appl. No.: 28,290**
[22] **Filed: Sep. 12, 1994**

[57] **CLAIM**

The ornamental design for a faucet, as shown and described.

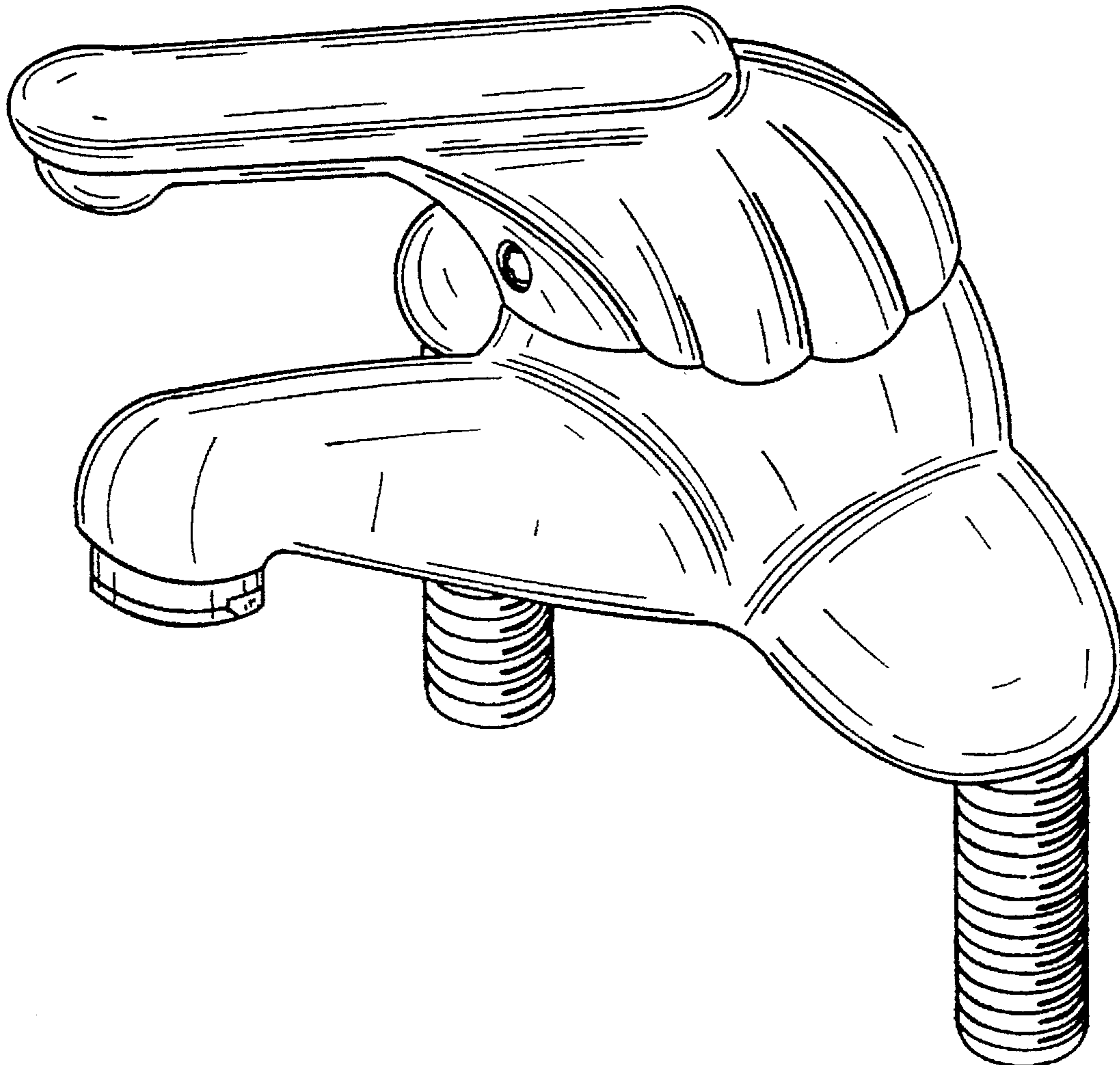
[30] **Foreign Application Priority Data**
Mar. 14, 1994 [KR] Rep. of Korea 1994-4811
[52] **U.S. Cl. D23/238**
[58] **Field of Search D23/238-243, D23/255-258; 4/675-678; 137/801**

DESCRIPTION

FIG. 1 is a perspective view of a faucet showing my new design;
FIG. 2 is a front view thereof;
FIG. 3 is a rear view thereof;
FIG. 4 is a right side view thereof, the left side view being a mirror image of the right side;
FIG. 5 is a top plan view thereof; and,
FIG. 6 is a bottom plan view thereof.

[56] **References Cited**
U.S. PATENT DOCUMENTS
D. 213,875 4/1969 Young D23/238
D. 219,780 1/1971 Niemann D23/238

1 Claim, 5 Drawing Sheets



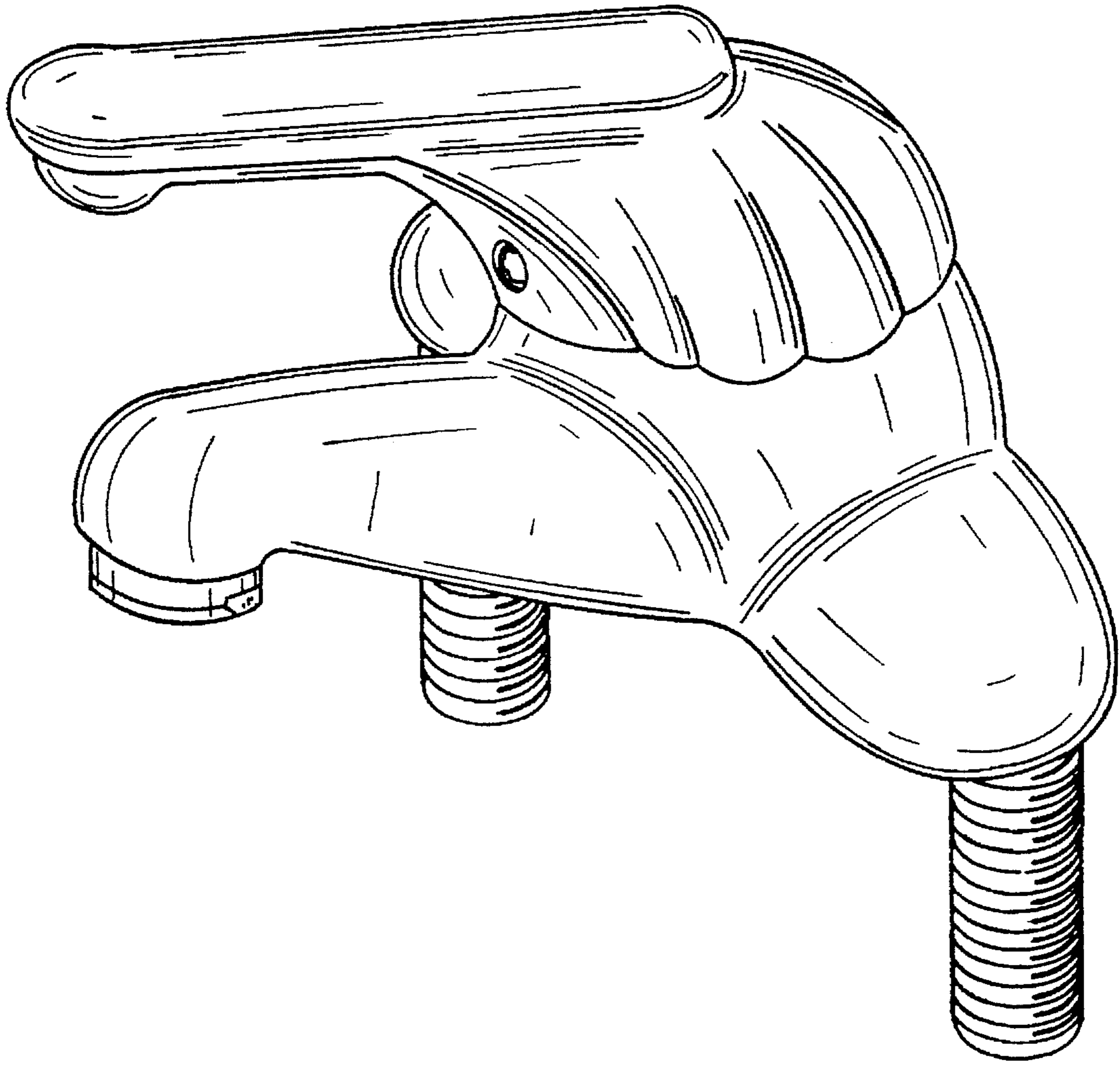


FIG. 1

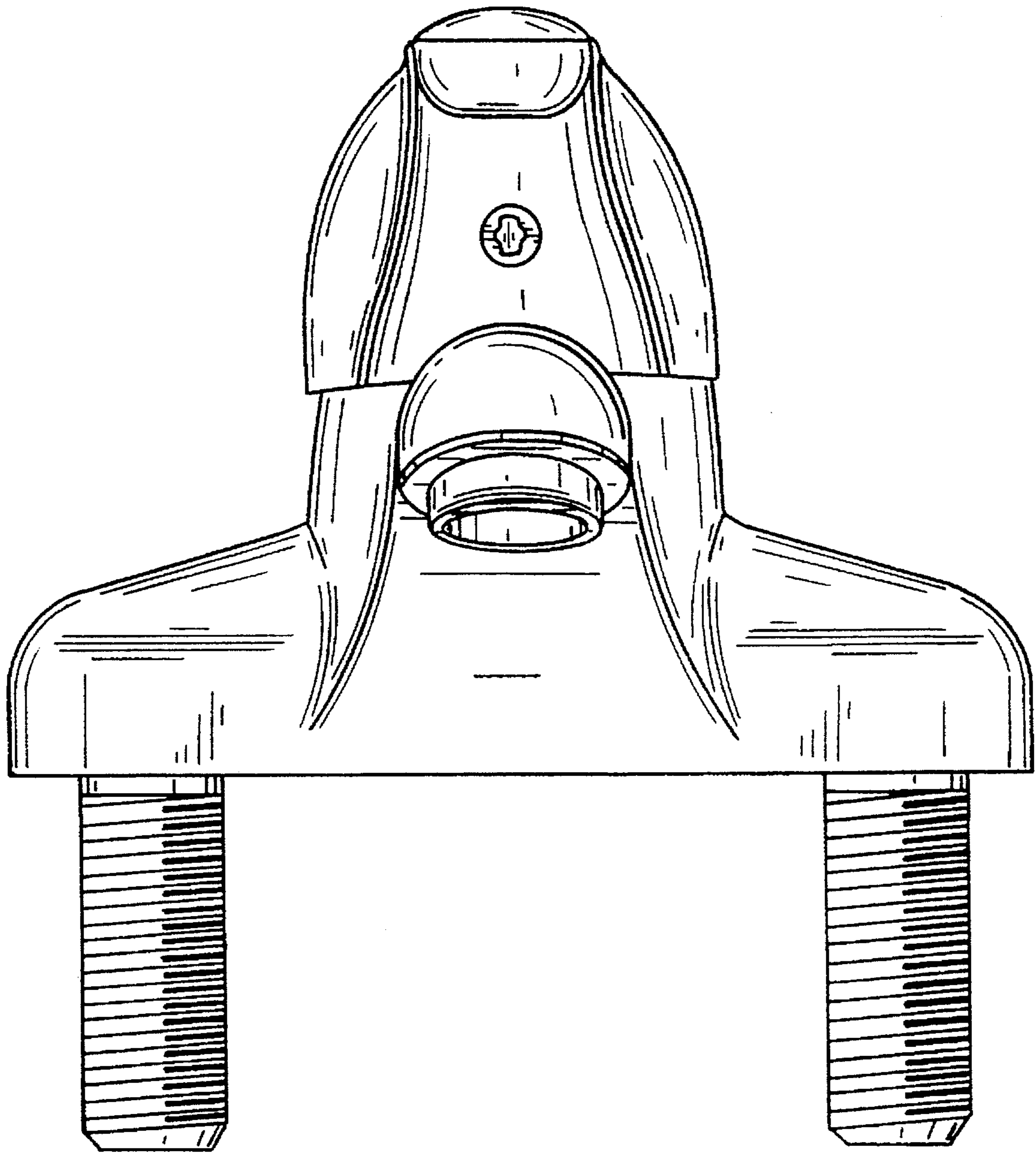


FIG. 2

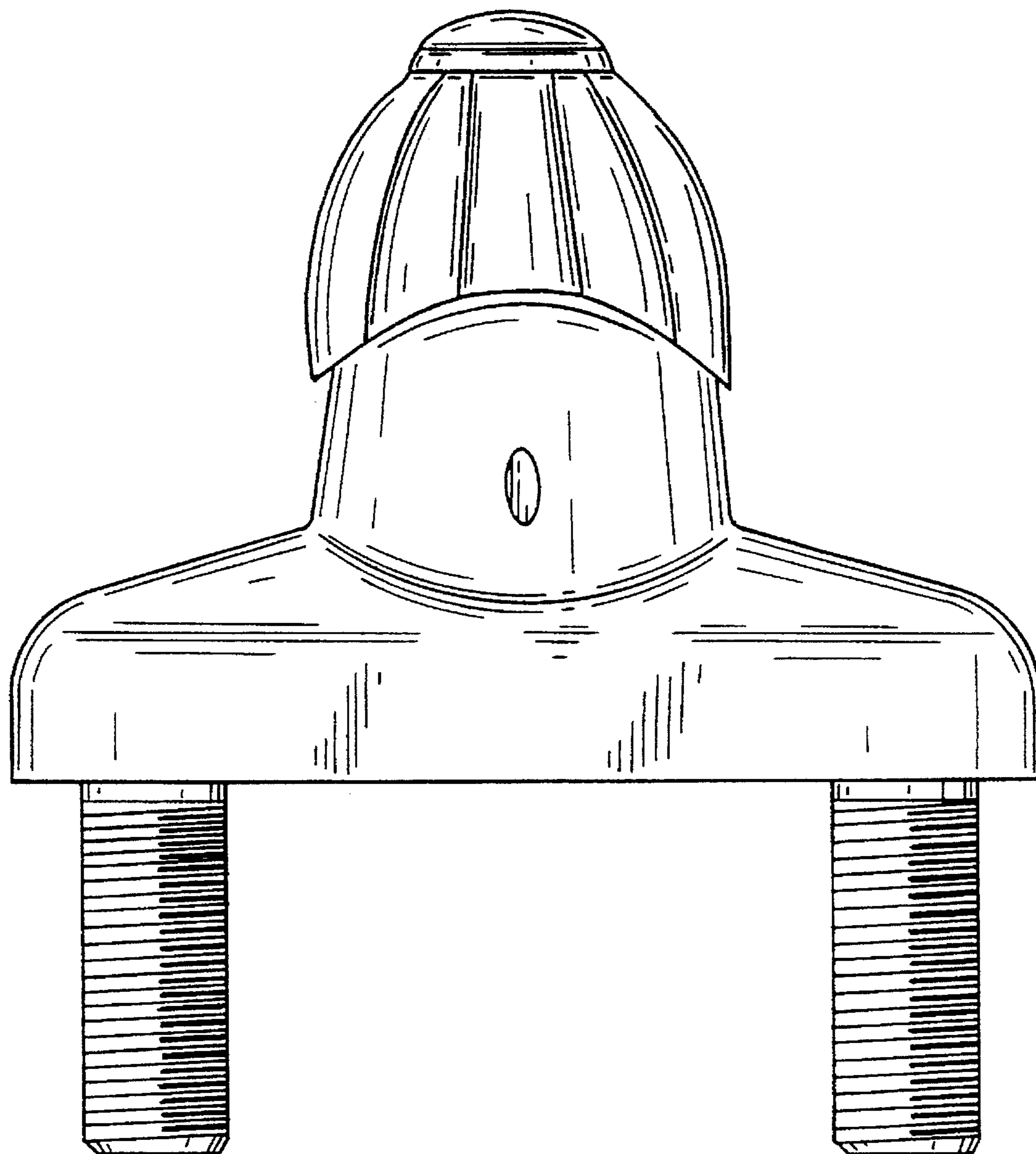


FIG. 3

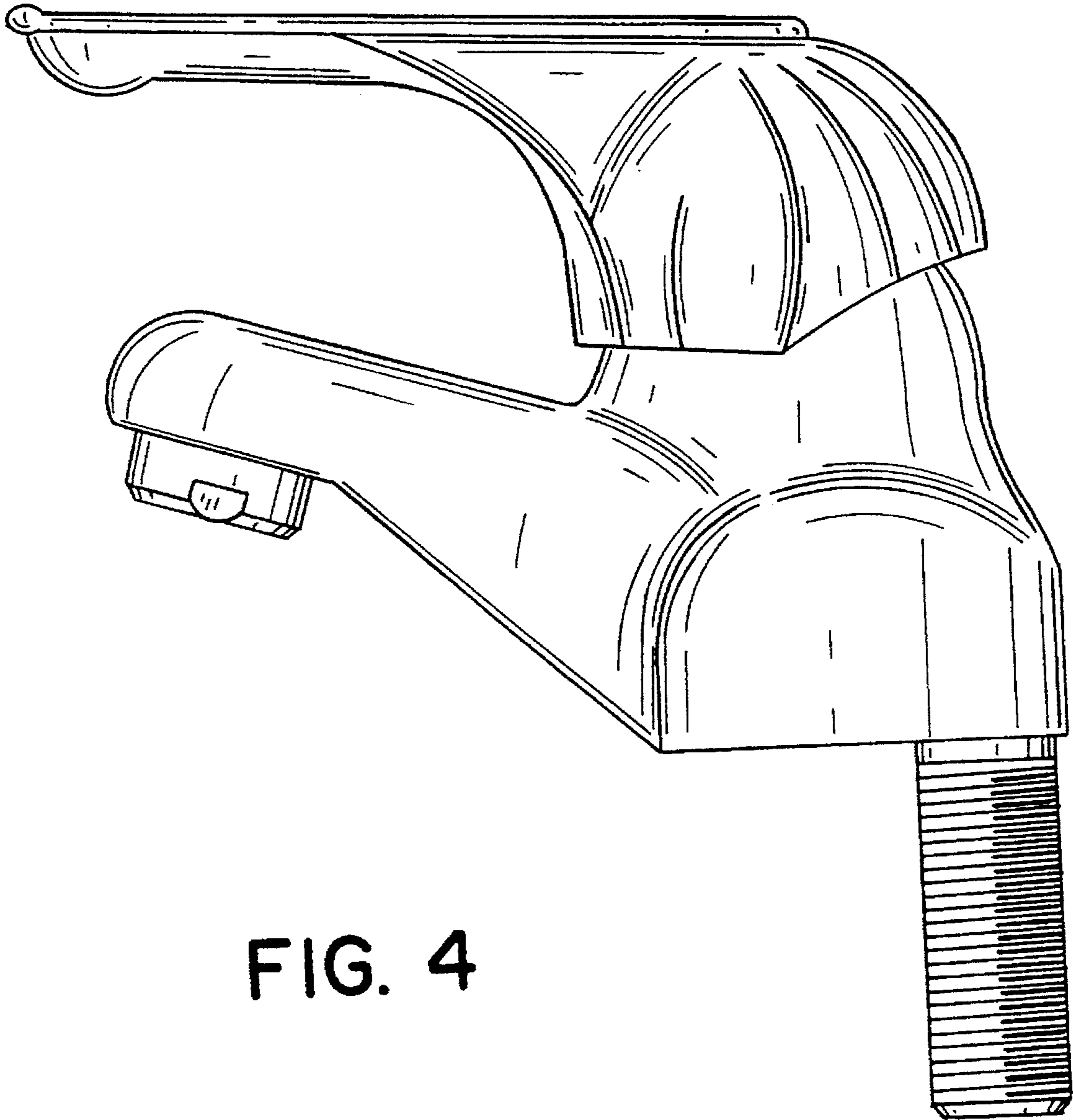


FIG. 4

FIG. 5

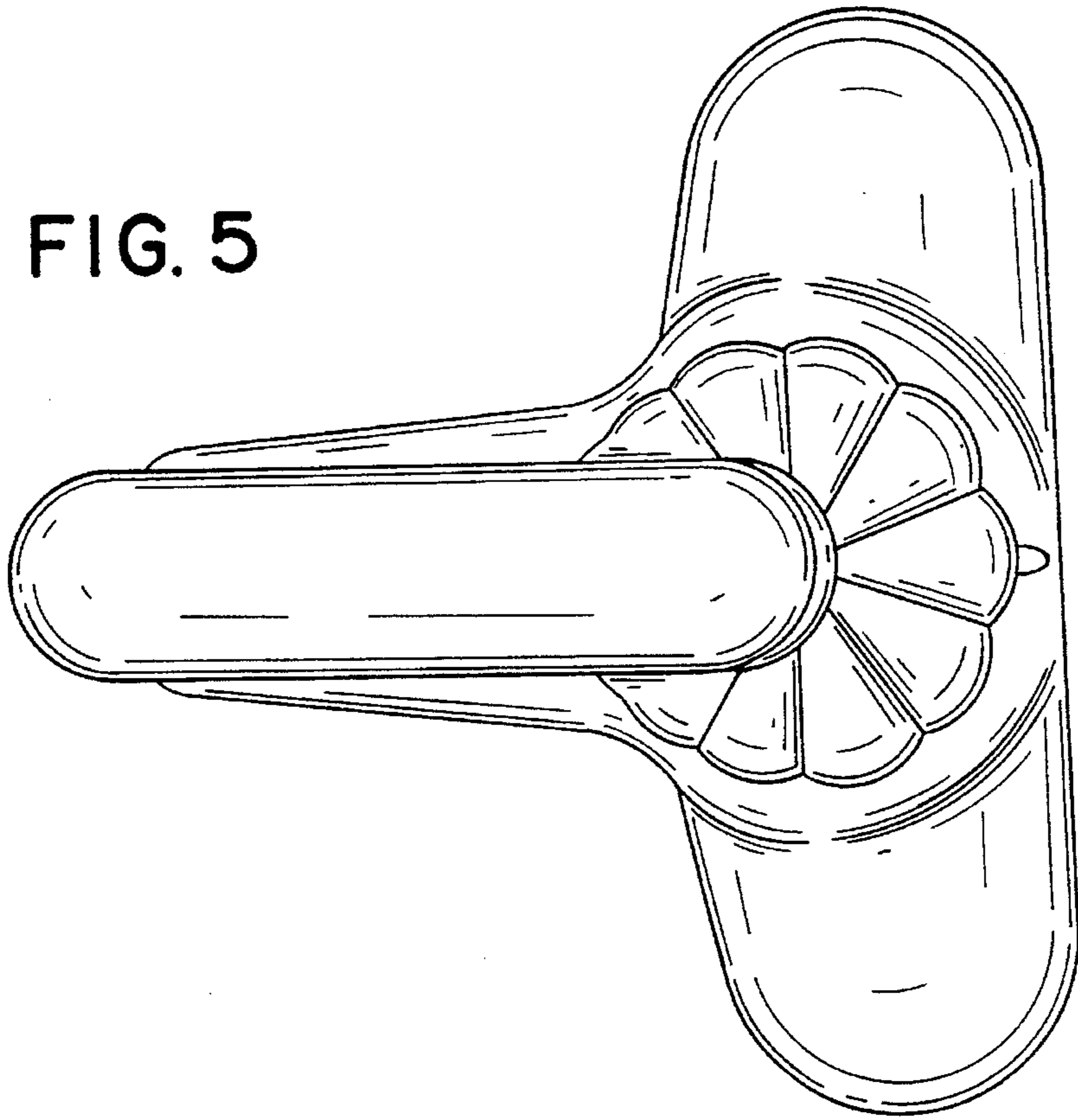


FIG. 6

