



US00D378309S

United States Patent [19]
Cheng

[11] **Patent Number: Des. 378,309**

[45] **Date of Patent: **Mar. 4, 1997**

[54] **SPRINKLER**

[75] Inventor: **Mei-Pi Cheng**, Changhua Hsien, Taiwan

[73] Assignee: **Ting Yang Industrial Co., Ltd.**, Changhua Hsien, Taiwan

[**] Term: **14 Years**

[21] Appl. No.: **50,282**

[22] Filed: **Feb. 13, 1996**

[52] U.S. Cl. **D23/214**

[58] Field of Search D23/213, 214, D23/215; 239/394, 373, 500, 504; 169/37

[56] **References Cited**

U.S. PATENT DOCUMENTS

| | | | |
|------------|---------|------------------------|---------|
| D. 275,595 | 9/1984 | Chow et al. | D23/214 |
| D. 276,174 | 10/1984 | Chow et al. | D23/214 |
| 3,007,646 | 11/1961 | Gerrans | D23/214 |
| 3,638,734 | 2/1972 | Ault | D23/214 |
| 3,955,762 | 5/1976 | Cassimatis et al. | 239/500 |

OTHER PUBLICATIONS

NAAN Lawn and Garden Catalog, item #429, p. 4.

Primary Examiner—A. Hugo Word

Assistant Examiner—Robin V. Taylor

Attorney, Agent, or Firm—Browdy and Neimark

[57] **CLAIM**

The ornamental design for a sprinkler, as shown and described.

DESCRIPTION

FIG. 1 is a perspective view of sprinkler showing my new design;

FIG. 2 is a front view thereof;

FIG. 3 is a rear view thereof;

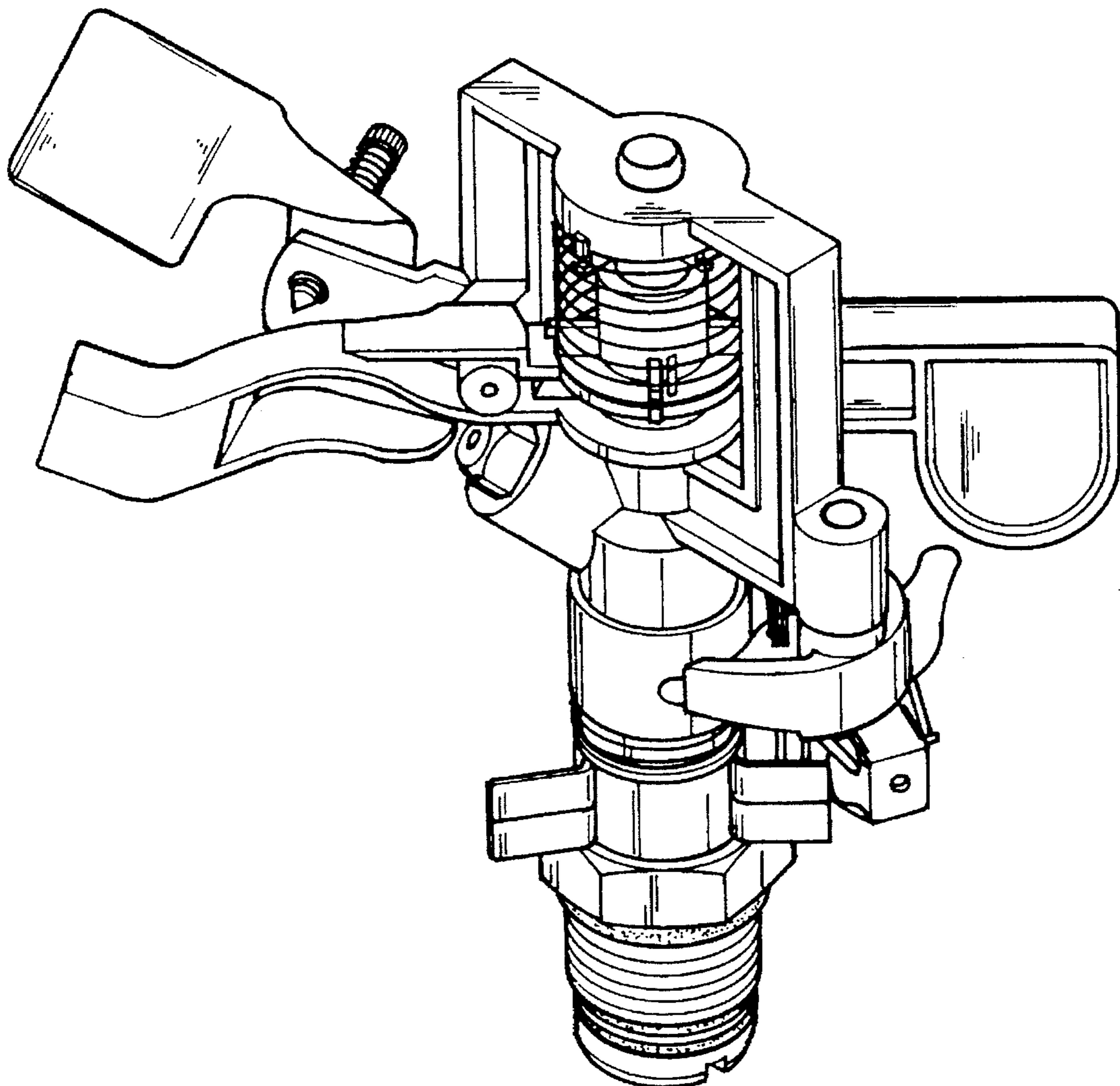
FIG. 4 is a left side view thereof;

FIG. 5 is a right side view thereof;

FIG. 6 is a top view thereof; and,

FIG. 7 is a bottom view thereof.

1 Claim, 6 Drawing Sheets



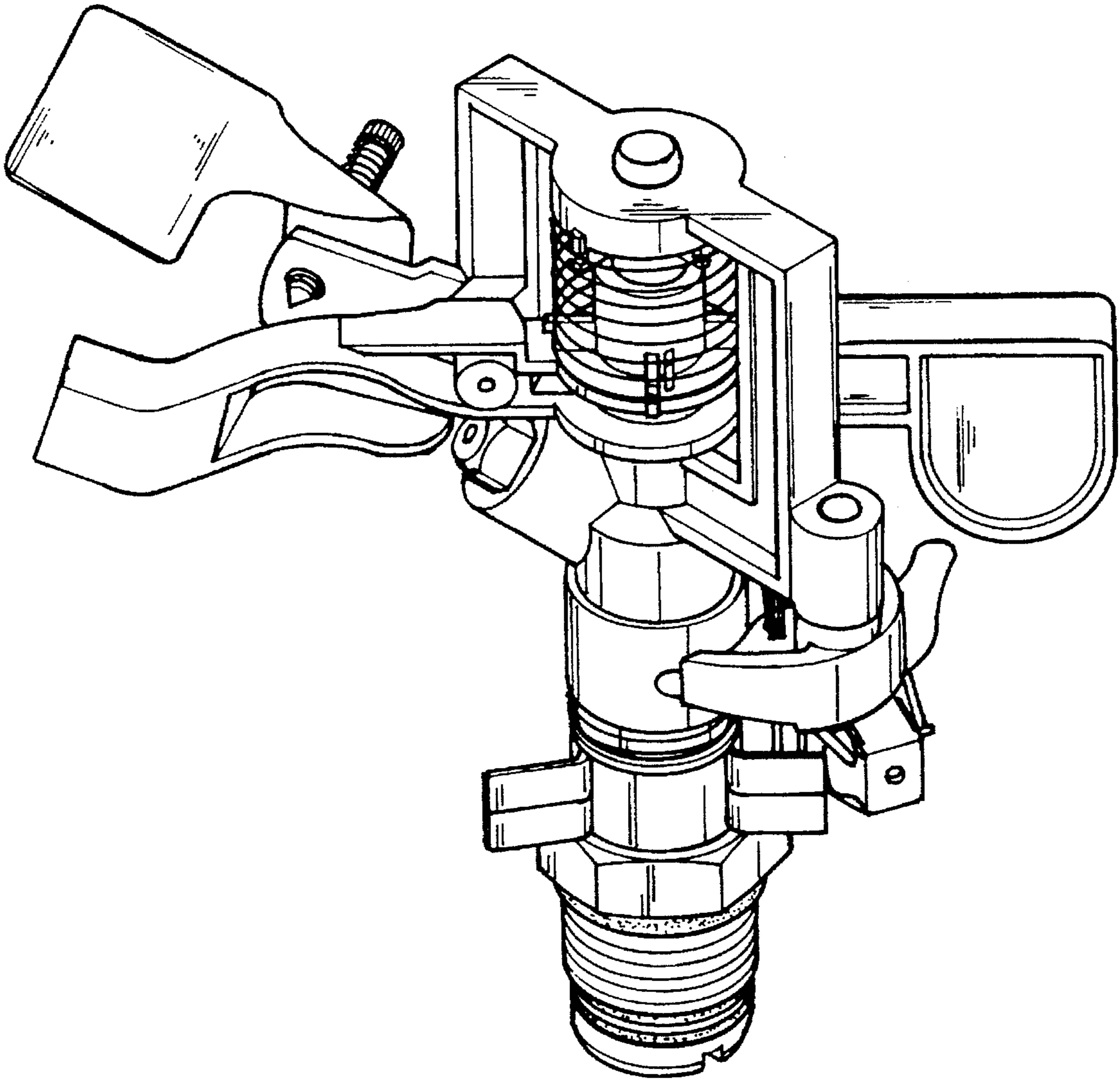


Fig. 1

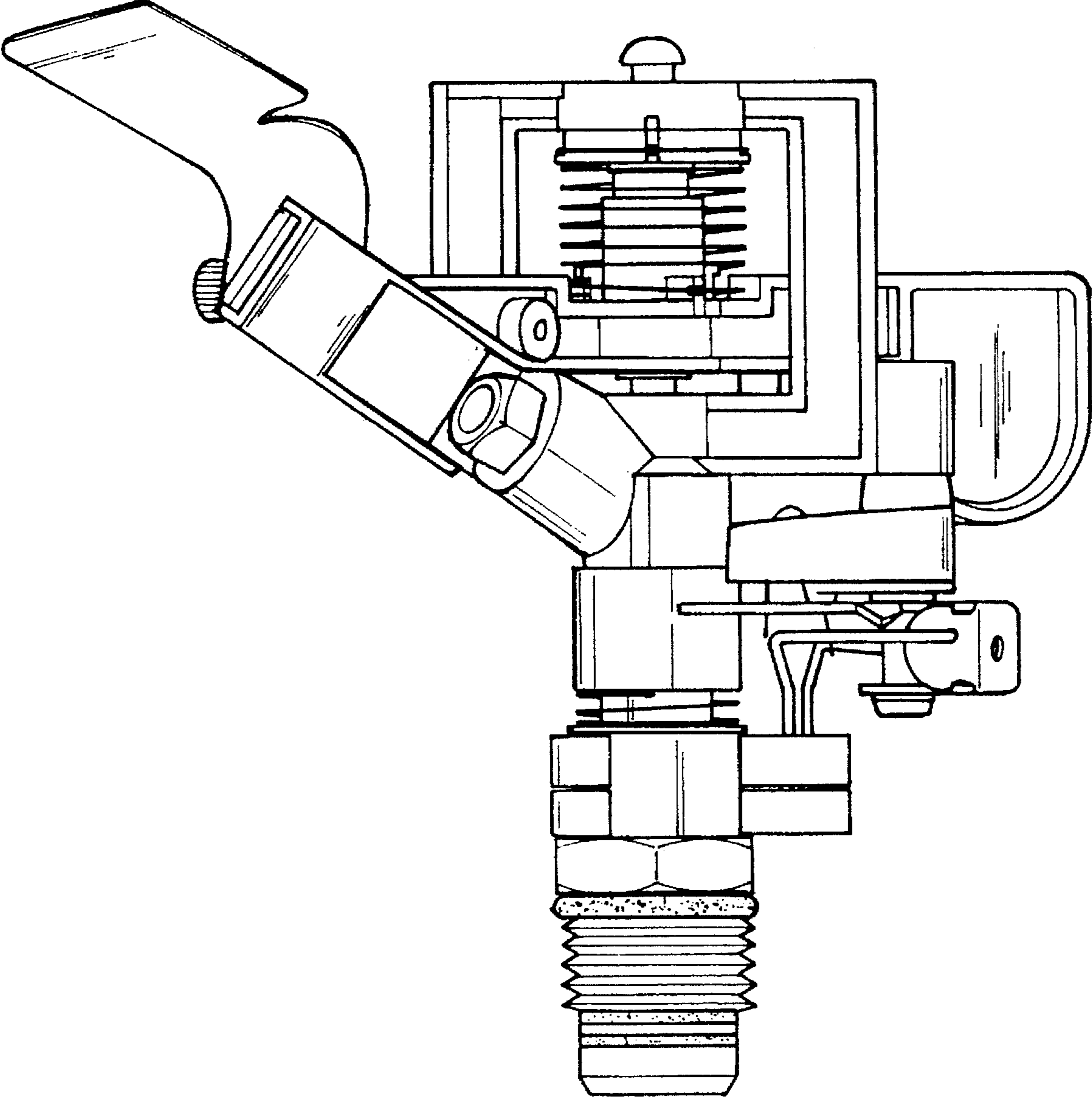


Fig. 2

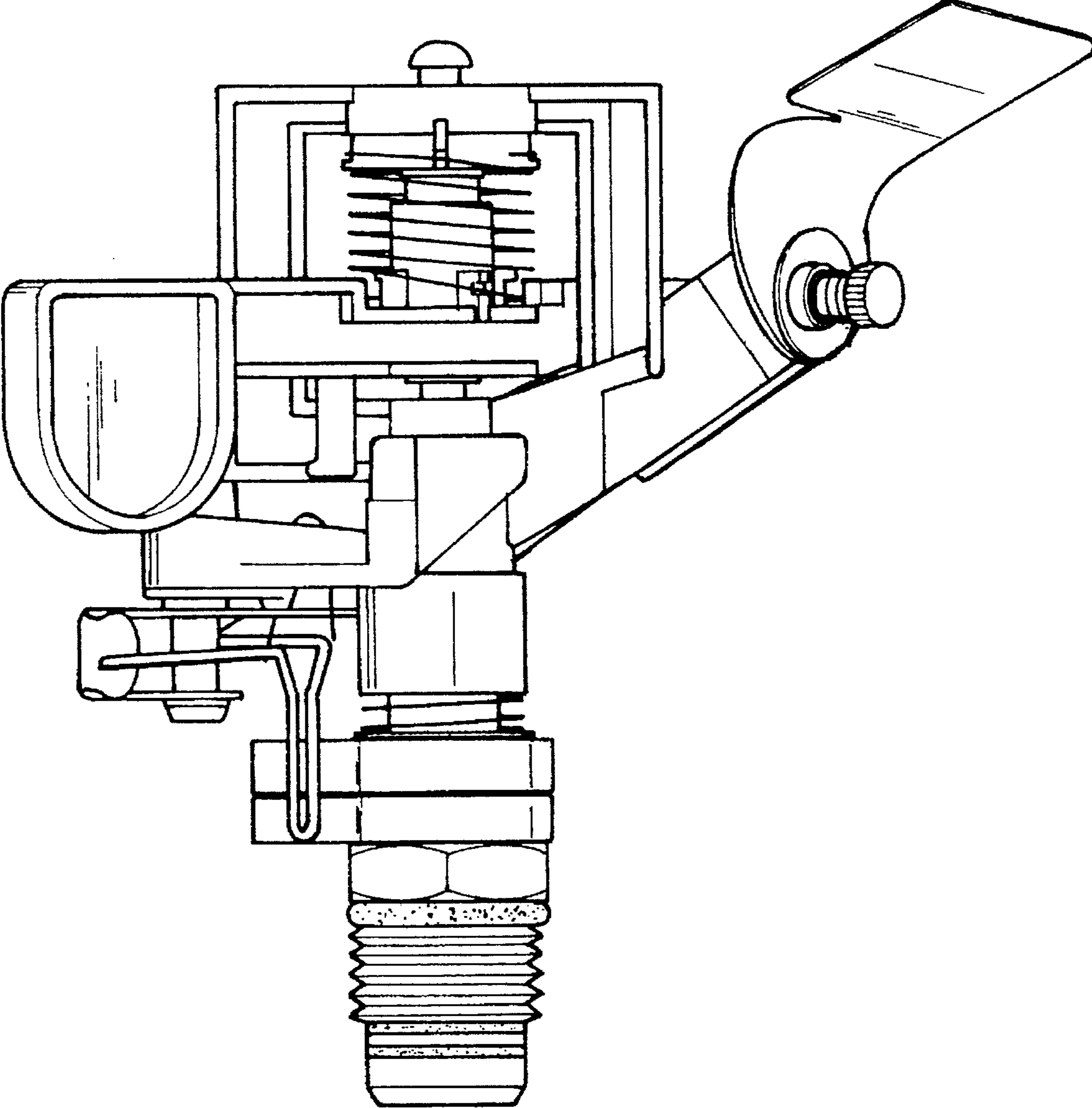


Fig. 3

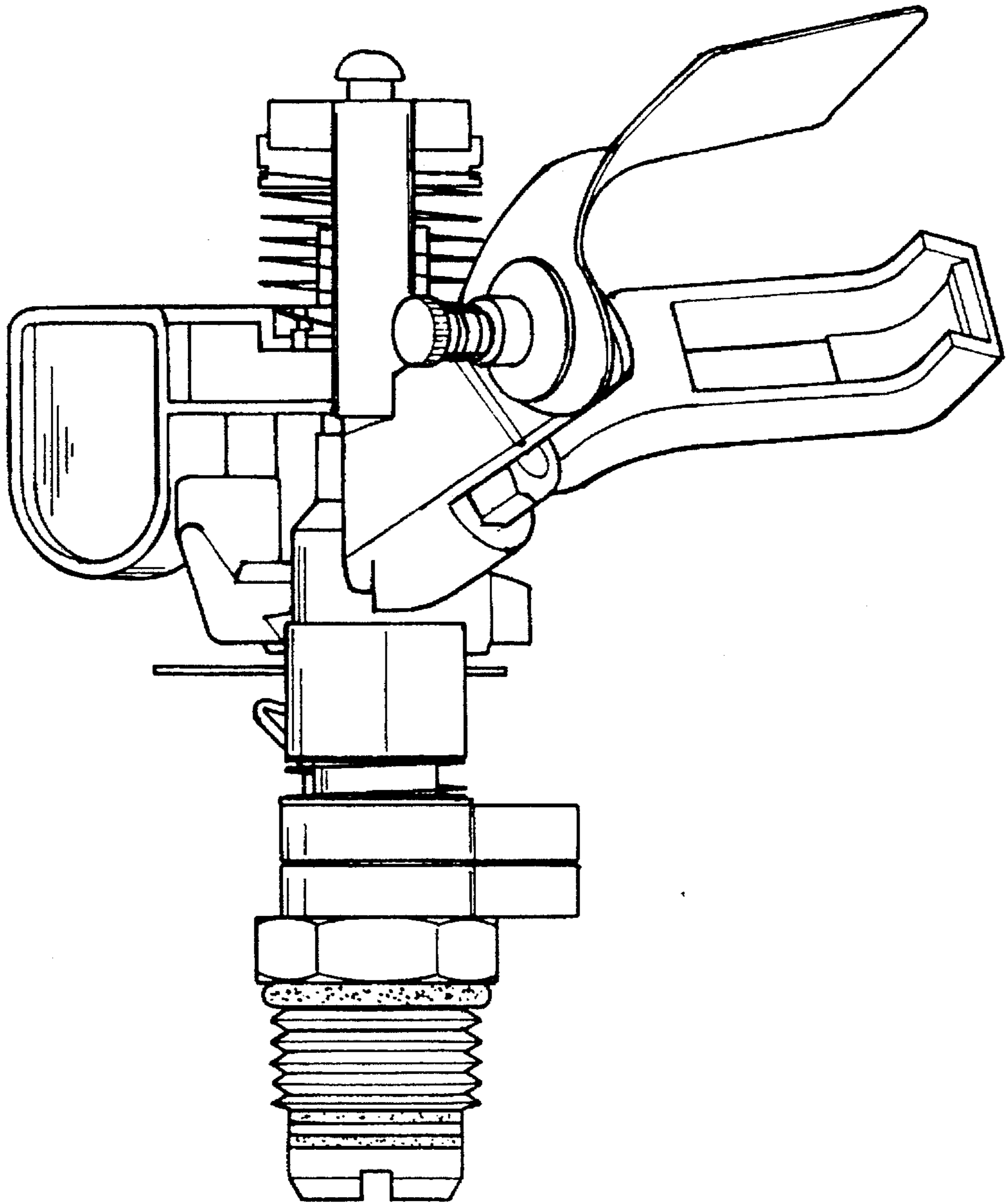


Fig. 4

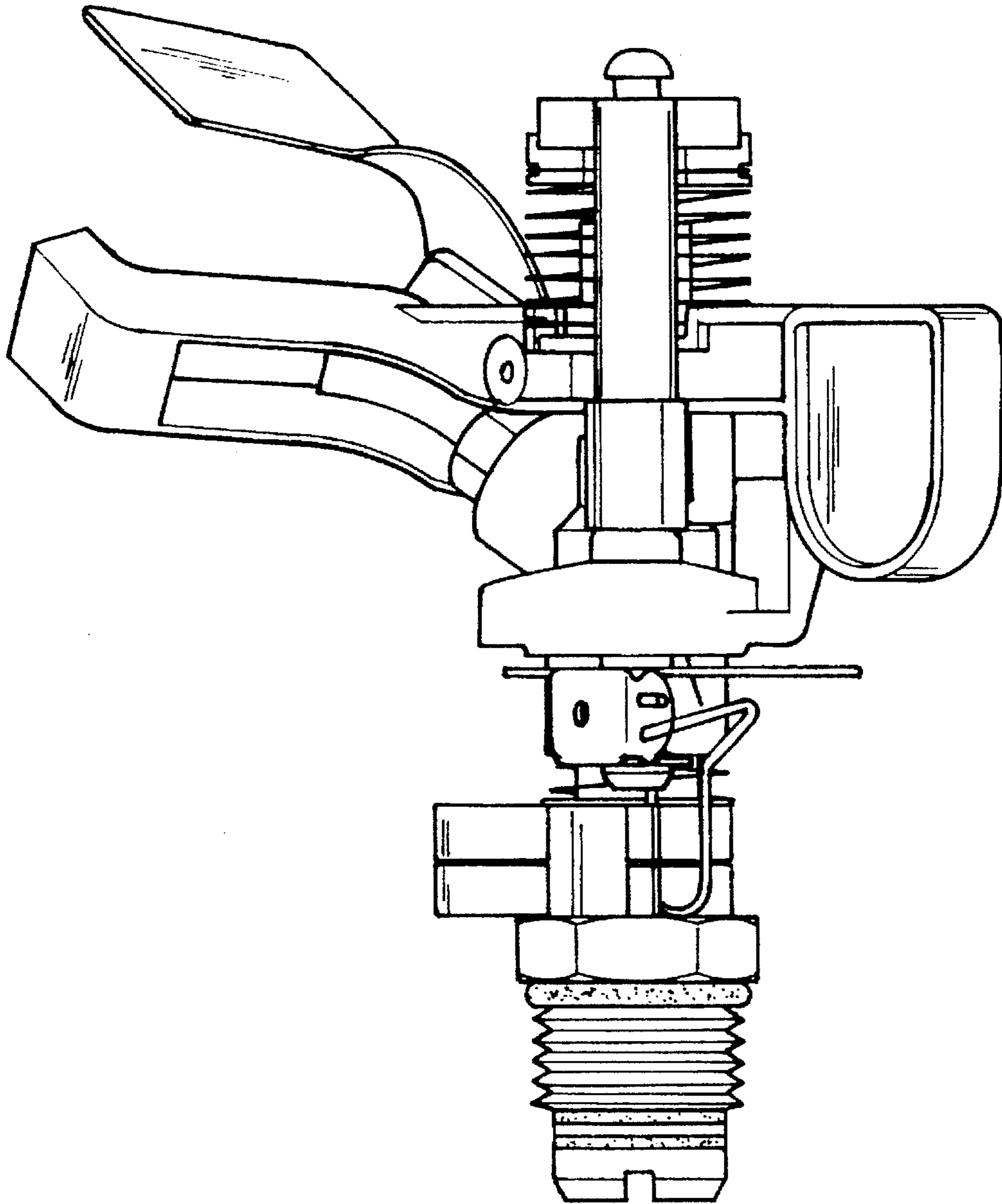


Fig. 5

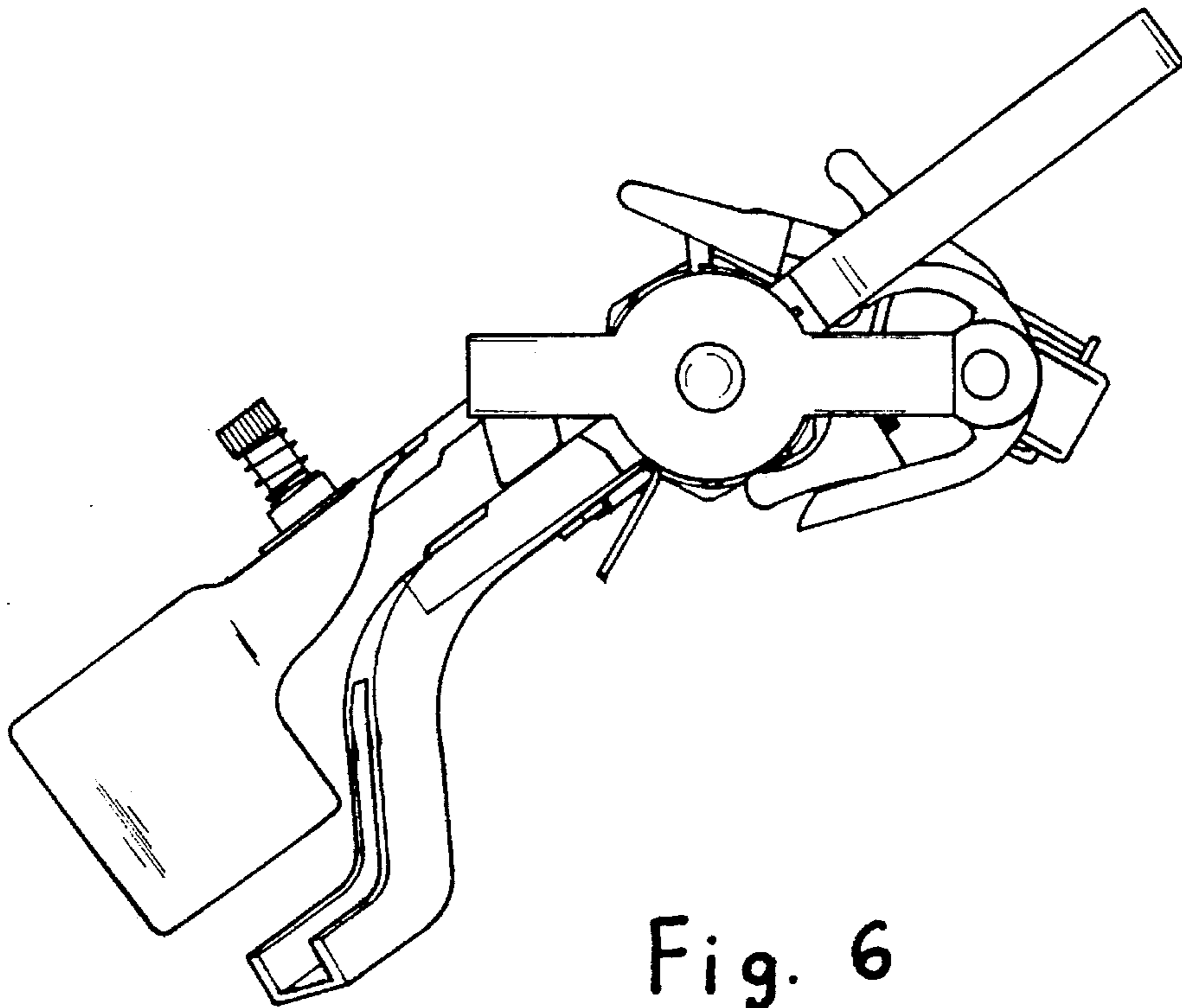


Fig. 6

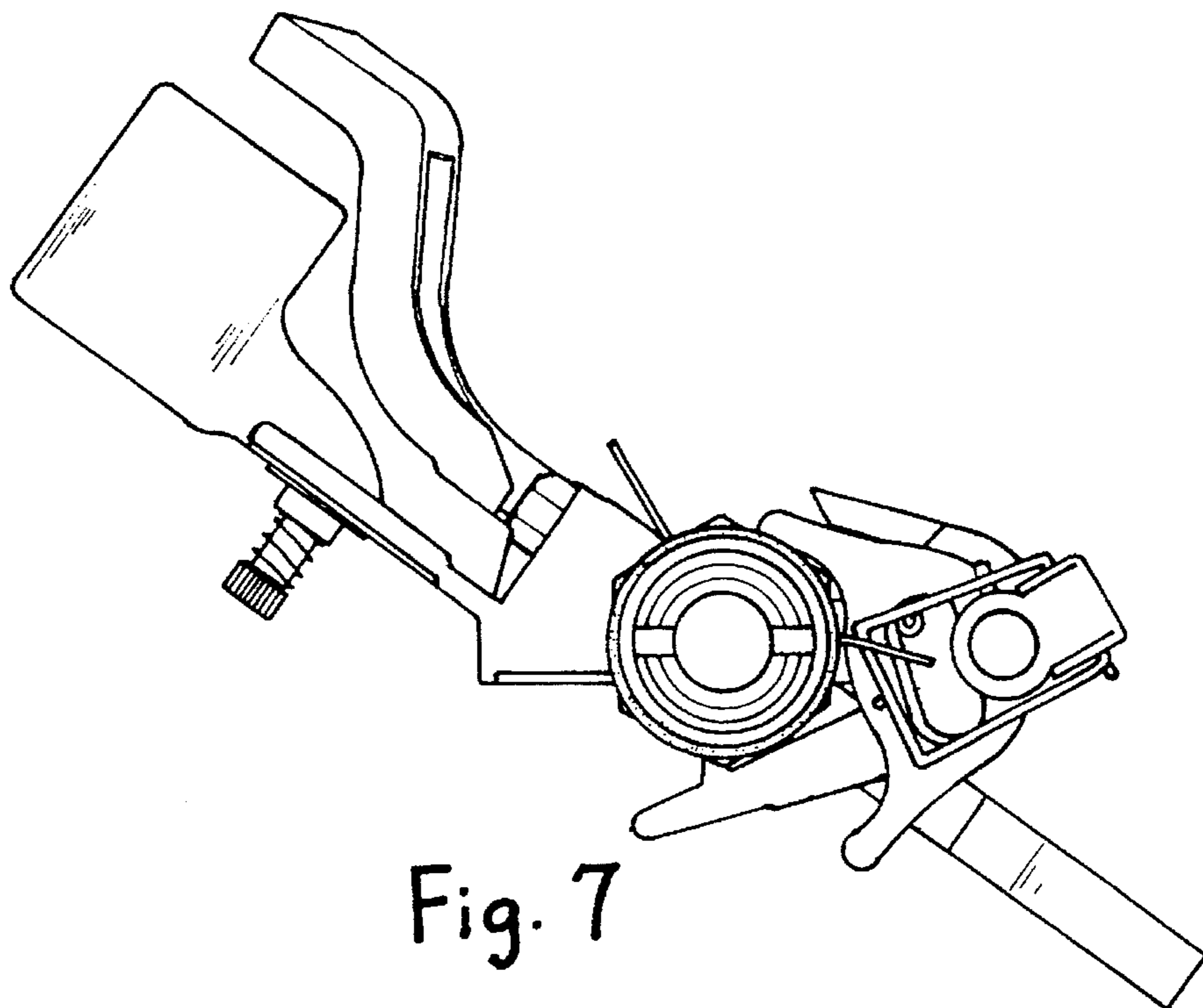


Fig. 7