



US00D378305S

United States Patent [19]
Tolleson

[11] **Patent Number: Des. 378,305**

[45] **Date of Patent: **Mar. 4, 1997**

[54] **EXERCISE BELT**

5,129,647 7/1992 Castellanos 482/124

5,336,151 8/1994 Van Ballegooie 482/124

5,362,295 11/1994 Nurge 482/124

[76] Inventor: **John F. Tolleson**, 35 Jones Mill Dr.,
Carrollton, Ga. 30116

[**] Term: **14 Years**

Primary Examiner—Philip S. Hyder

Attorney, Agent, or Firm—Arthur A. Gardner

[21] Appl. No.: **36,629**

[57] **CLAIM**

[22] Filed: **Mar. 23, 1995**

The ornamental design for an exercise belt, as shown and described.

[52] U.S. Cl. **D21/191**

[58] **Field of Search** D21/191, 198;
482/124, 126, 139, 125, 121, 122; D2/630,
627, 628, 629

DESCRIPTION

FIG. 1 is a perspective view of an exercise belt showing my new design;

FIG. 2 is a back view of the exercise belt of FIG. 1;

FIG. 3 is a front view of the exercise belt of FIG. 1;

FIG. 4 is a left side view of the exercise belt of FIG. 1;

FIG. 5 is a right side view of the exercise belt of FIG. 1;

FIG. 6 is a top view of the exercise belt of FIG. 1; and,

FIG. 7 is a bottom view of the exercise belt of FIG. 1.

[56] **References Cited**

U.S. PATENT DOCUMENTS

D. 347,667 6/1994 Giacolone et al. D21/191

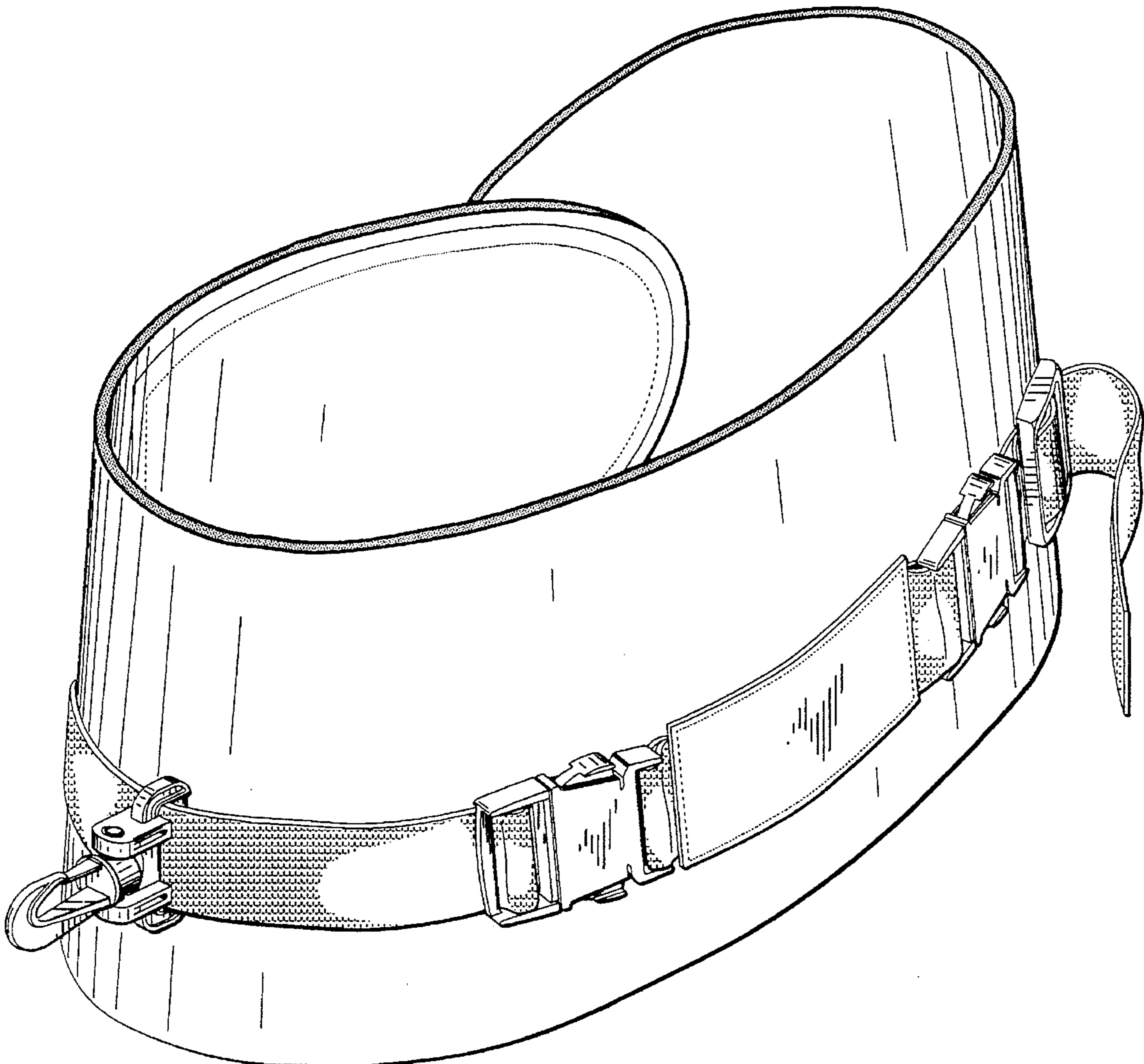
D. 350,795 9/1994 Barbour D21/191

4,955,608 9/1990 Dougherty et al. 482/124

5,062,642 11/1991 Berry 482/124

5,065,773 11/1991 Jackson et al. 482/106

1 Claim, 3 Drawing Sheets



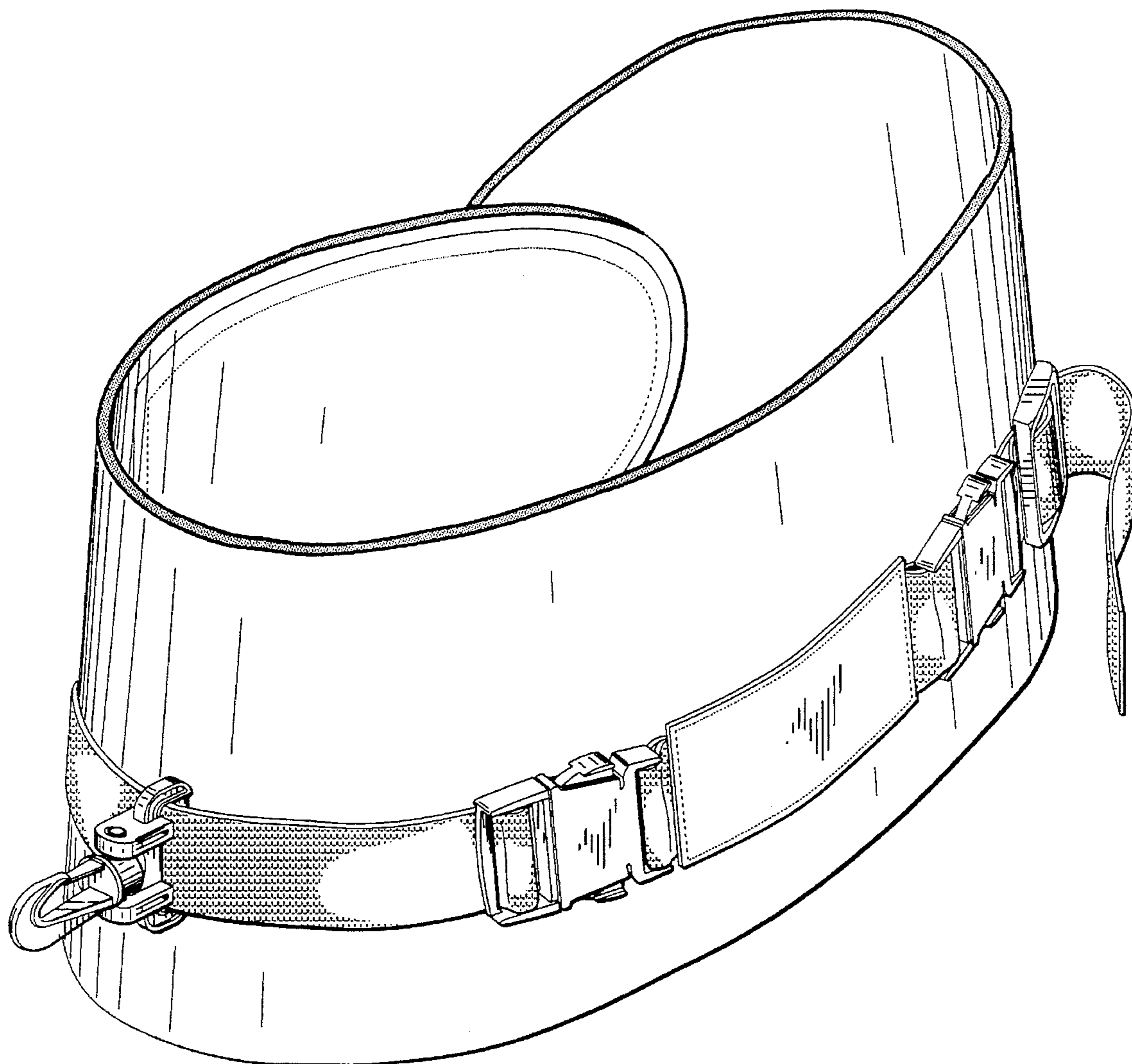


FIG. 1

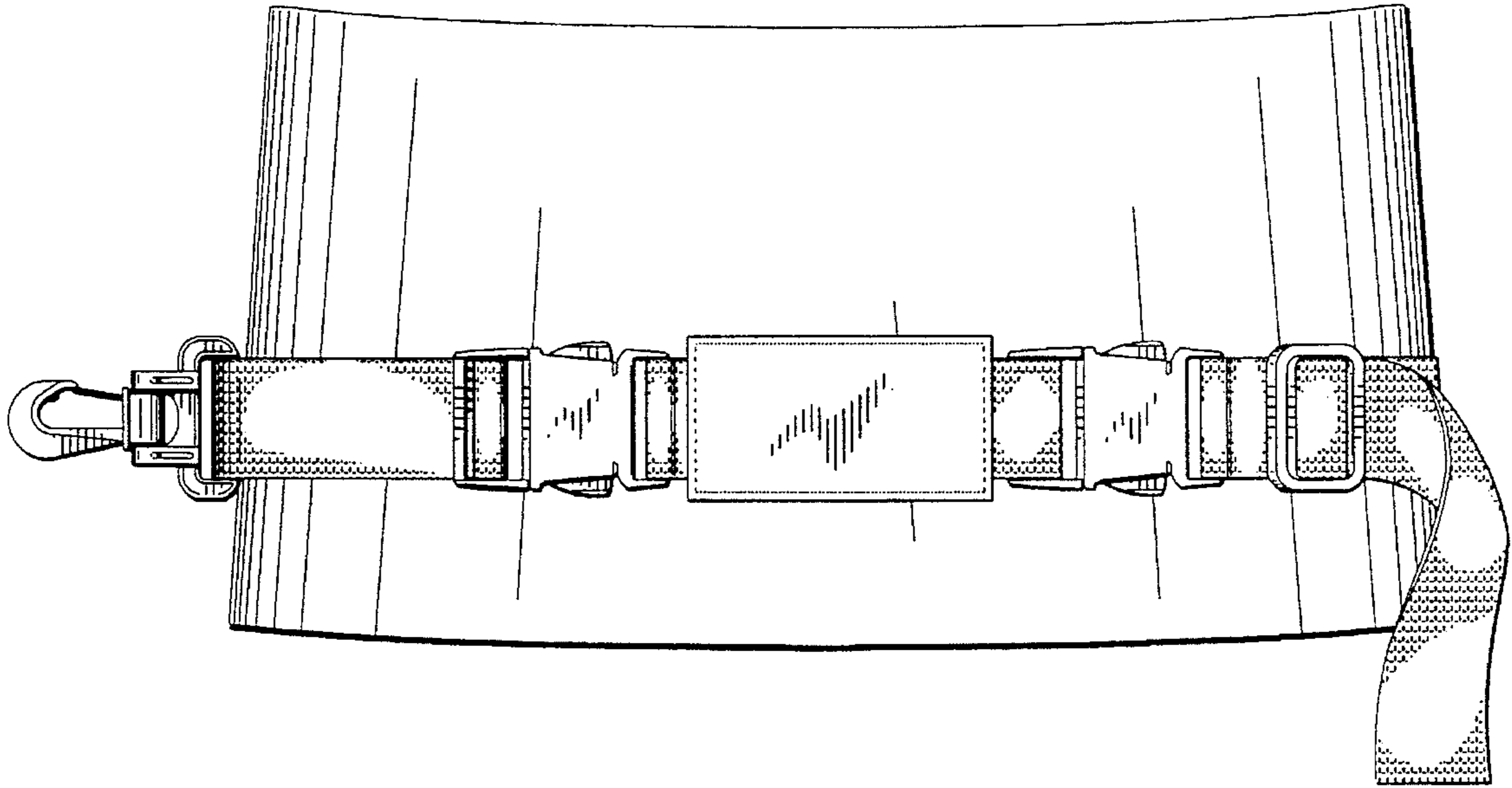


FIG. 2

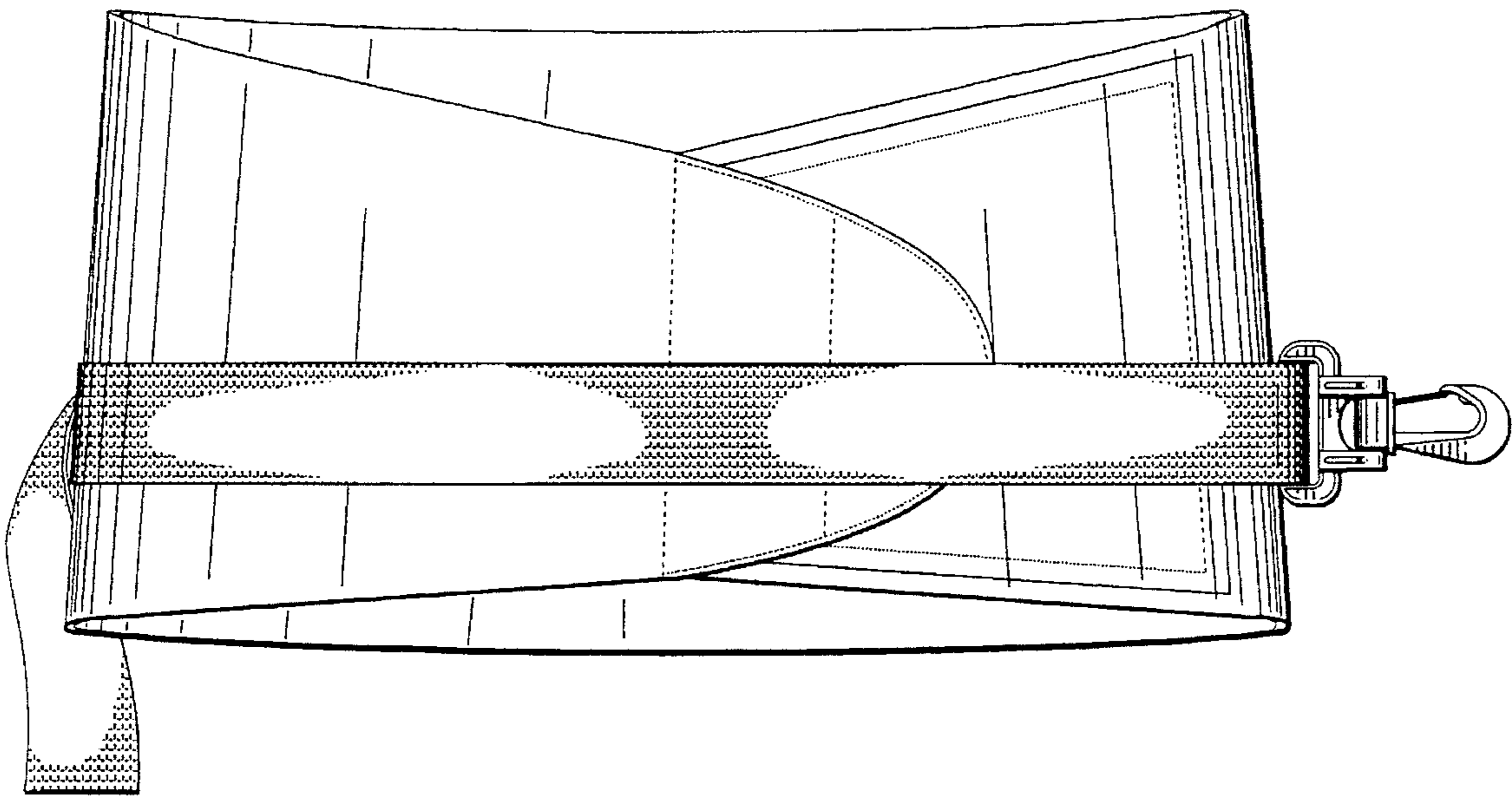


FIG. 3

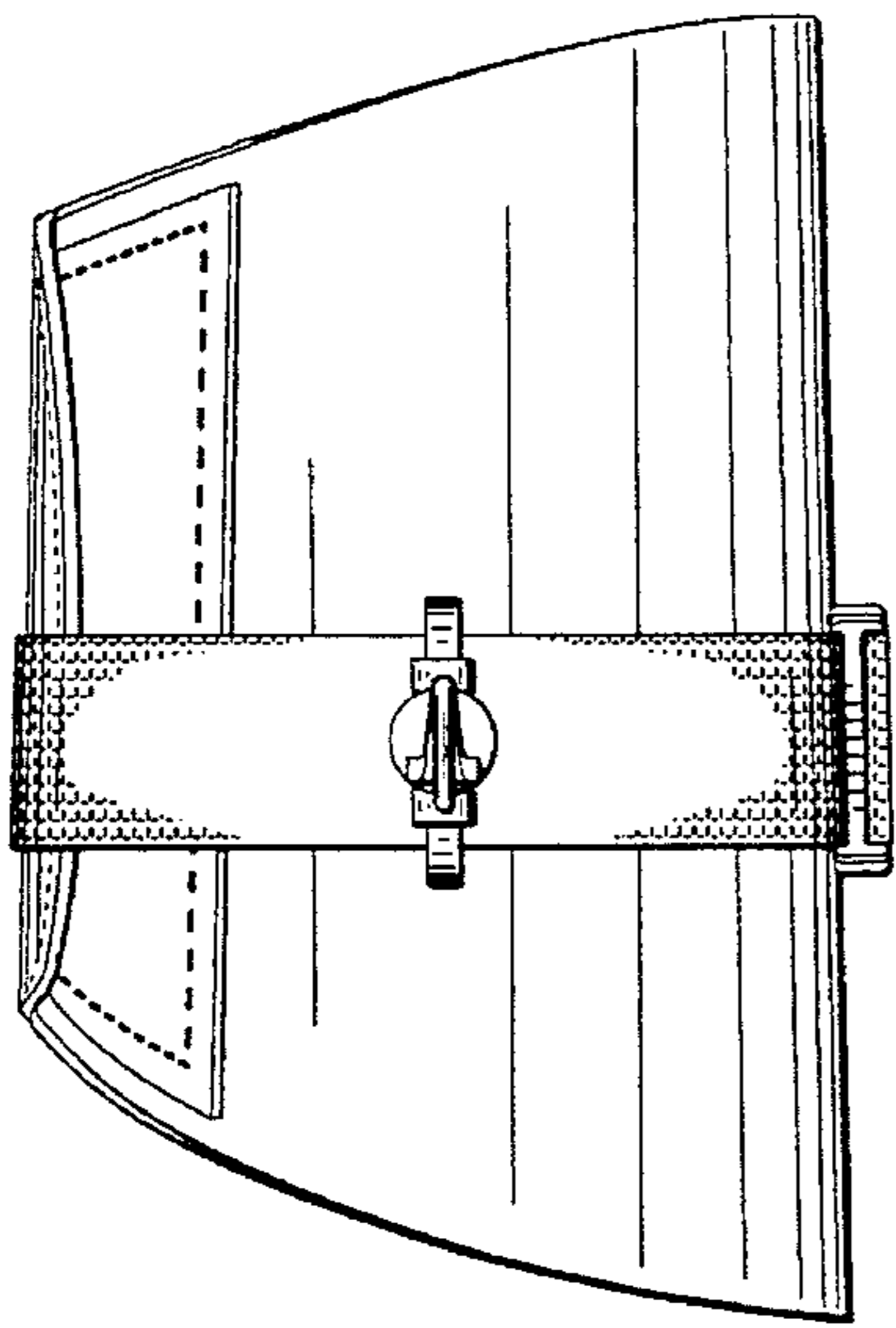


FIG. 4

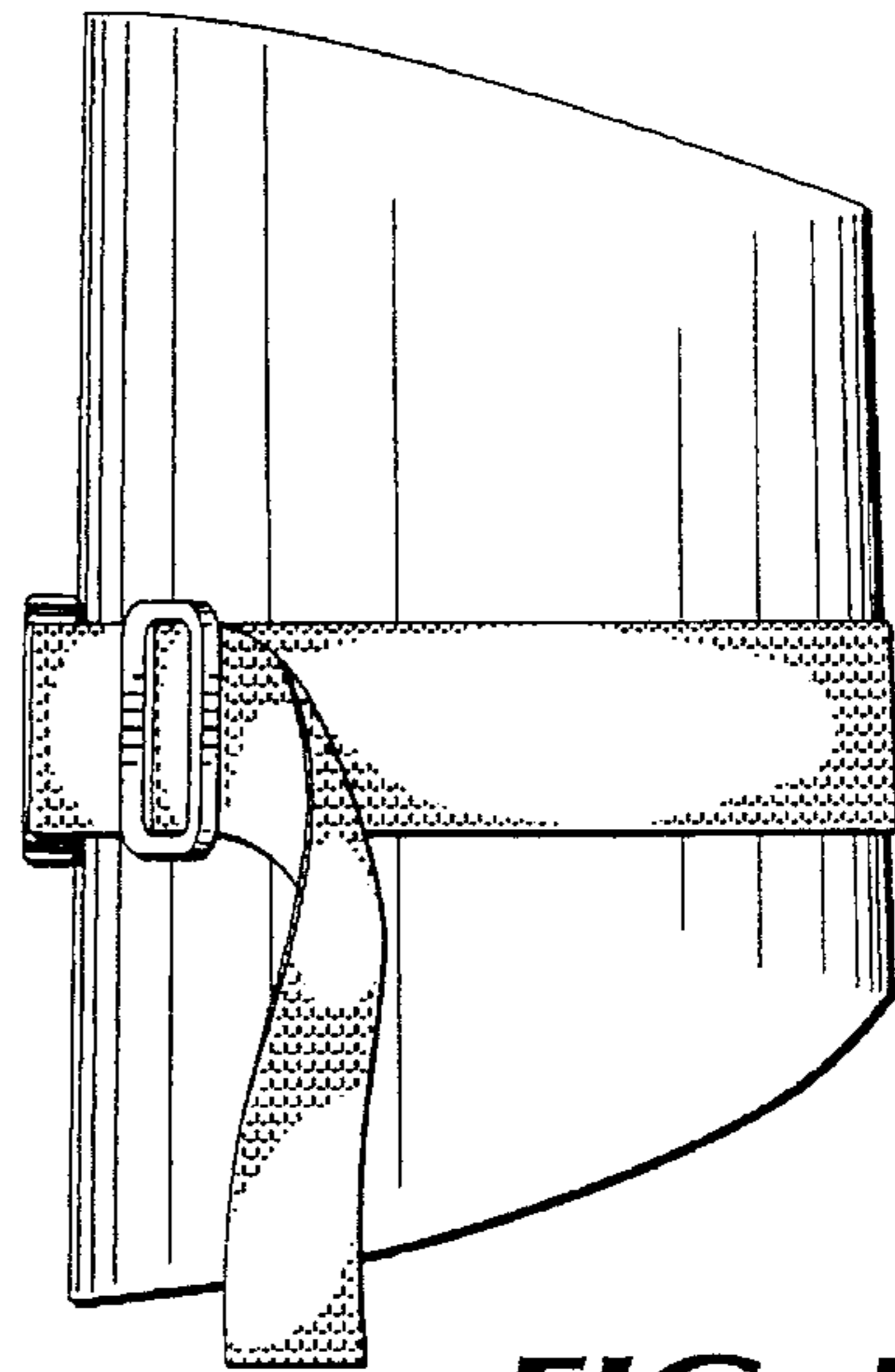


FIG. 5

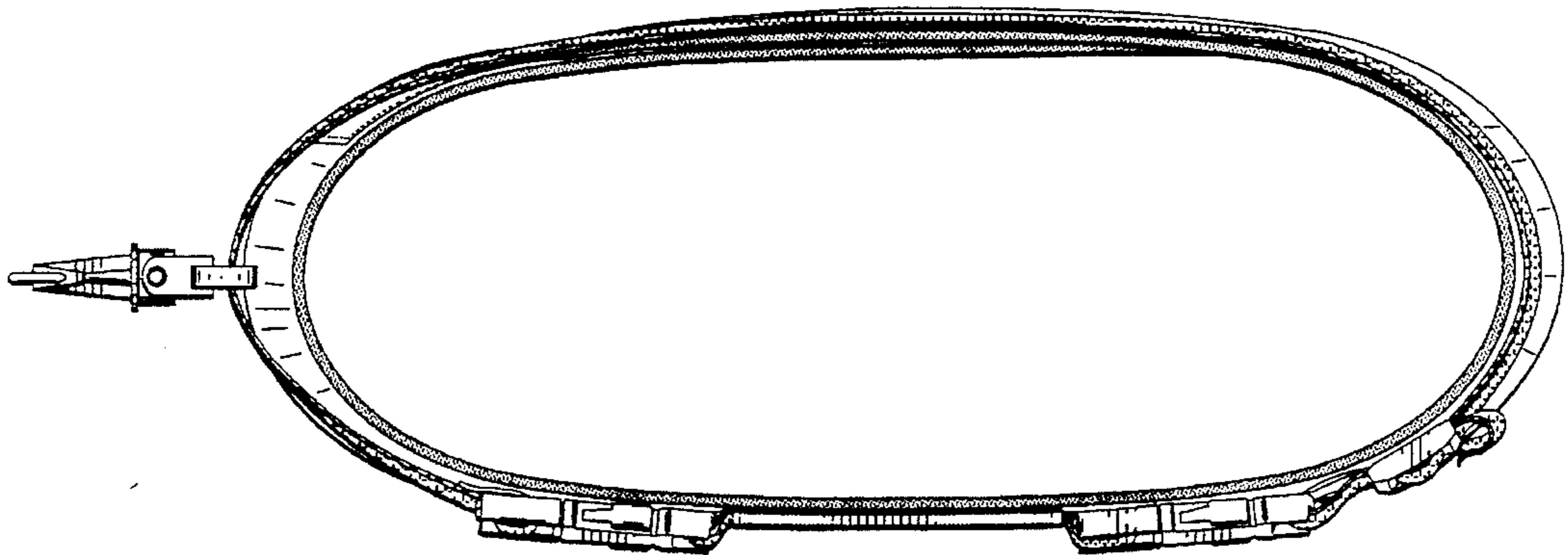


FIG. 6

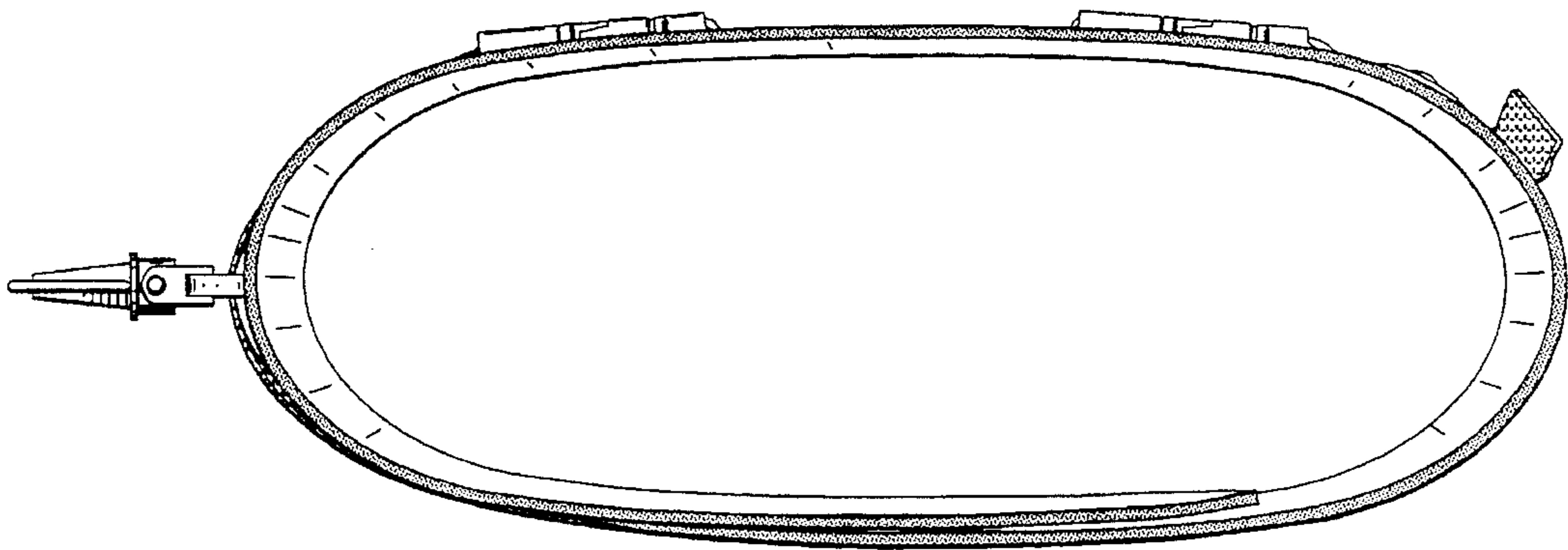


FIG. 7