



US00D378303S

**United States Patent** [19]  
**Yang**

[11] **Patent Number: Des. 378,303**

[45] **Date of Patent: \*\*Mar. 4, 1997**

[54] **JOY STICK**

4,748,441 5/1988 Breezinski ..... 364/38 X

[75] Inventor: **Chung-Pin Yang**, Taipei, Taiwan

[73] Assignee: **Silitek Corporation**, Taipei, Taiwan

[\*\*] Term: **14 Years**

[21] Appl. No.: **51,488**

[22] Filed: **Mar. 12, 1996**

[52] U.S. Cl. .... **D21/48**

[58] Field of Search ..... D21/1, 13, 48;  
273/148 B; 463/38, 47, 30, 46; D14/124,  
217, 114

**OTHER PUBLICATIONS**

HongKong Enterprise Electronics, 1985, p. 9.  
Playthings, 1988, p. 50.

*Primary Examiner*—Prabhakar G. Deshmukh  
*Attorney, Agent, or Firm*—Morton J. Rosenberg; David I. Klein

[57] **CLAIM**

The ornamental design for joy stick, as shown and described.

**DESCRIPTION**

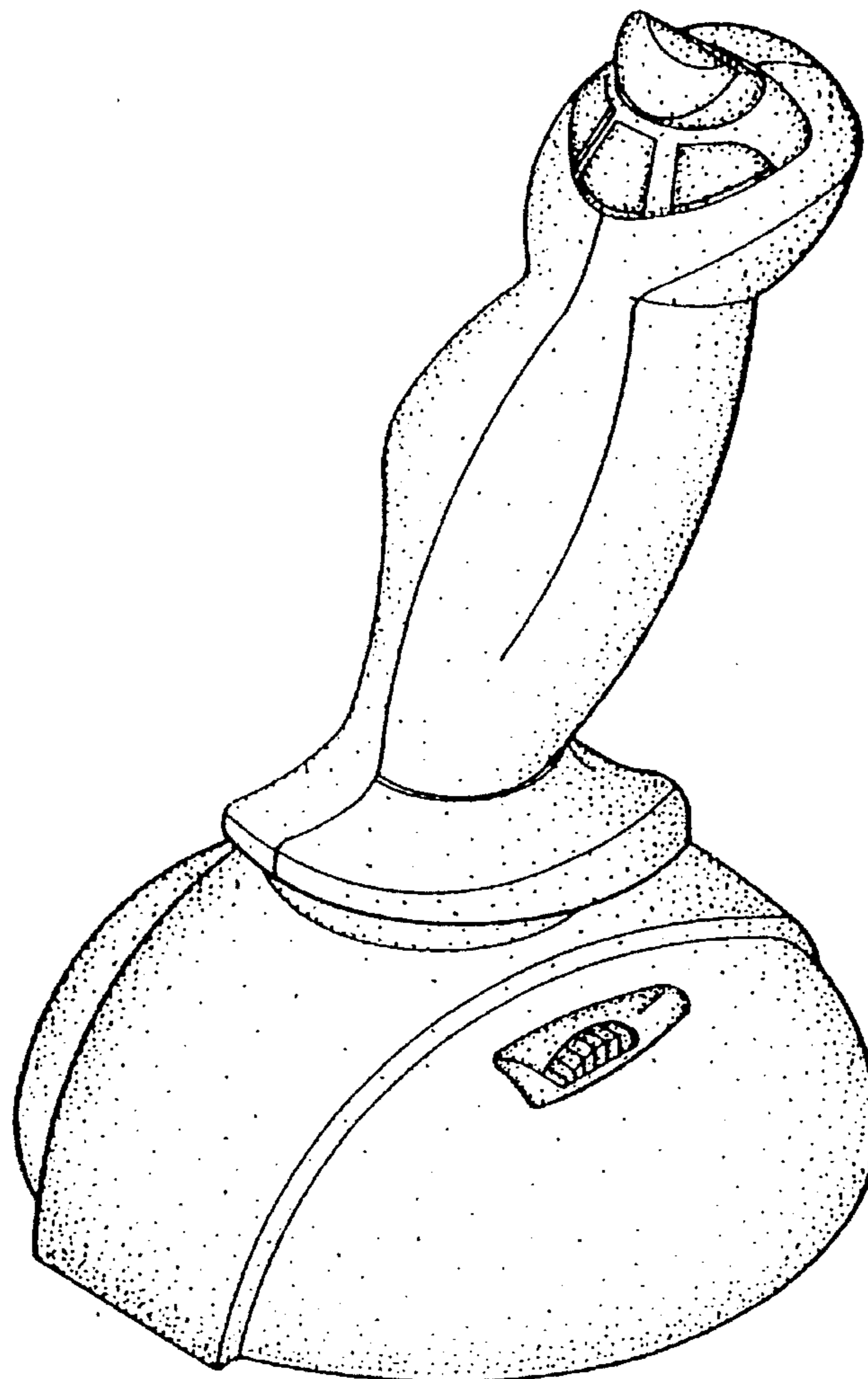
FIG. 1 is the perspective view of a joy stick showing my new design;  
FIG. 2 is the front elevational view thereof;  
FIG. 3 is the rear elevational view thereof;  
FIG. 4 is the left side elevational view thereof;  
FIG. 5 is the right side elevational view thereof;  
FIG. 6 is the top plan view thereof; and,  
FIG. 7 is the bottom plan view thereof.

**References Cited**

**U.S. PATENT DOCUMENTS**

[56]			
D. 317,331	6/1991	Holloway .....	D21/48
D. 317,949	7/1991	Tse .....	D21/48
D. 351,625	10/1994	Carter et al. ....	D21/48
D. 362,693	9/1995	Carter et al. ....	D21/48
D. 365,605	12/1995	Jensen et al. ....	D21/48
4,588,187	5/1986	Dell .....	273/148 B X
4,658,666	4/1987	Liu .....	463/38

**1 Claim, 4 Drawing Sheets**



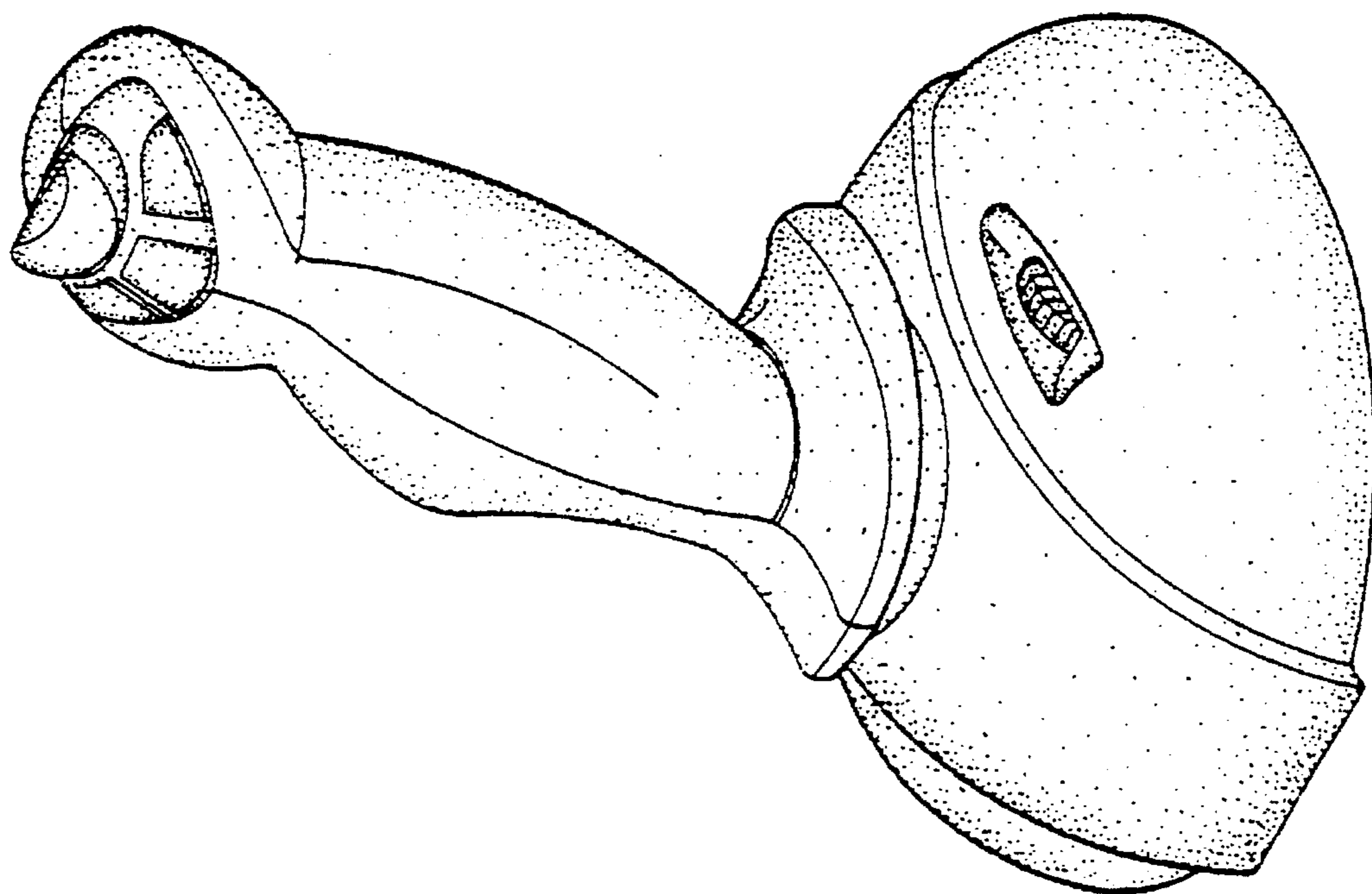


FIG.1

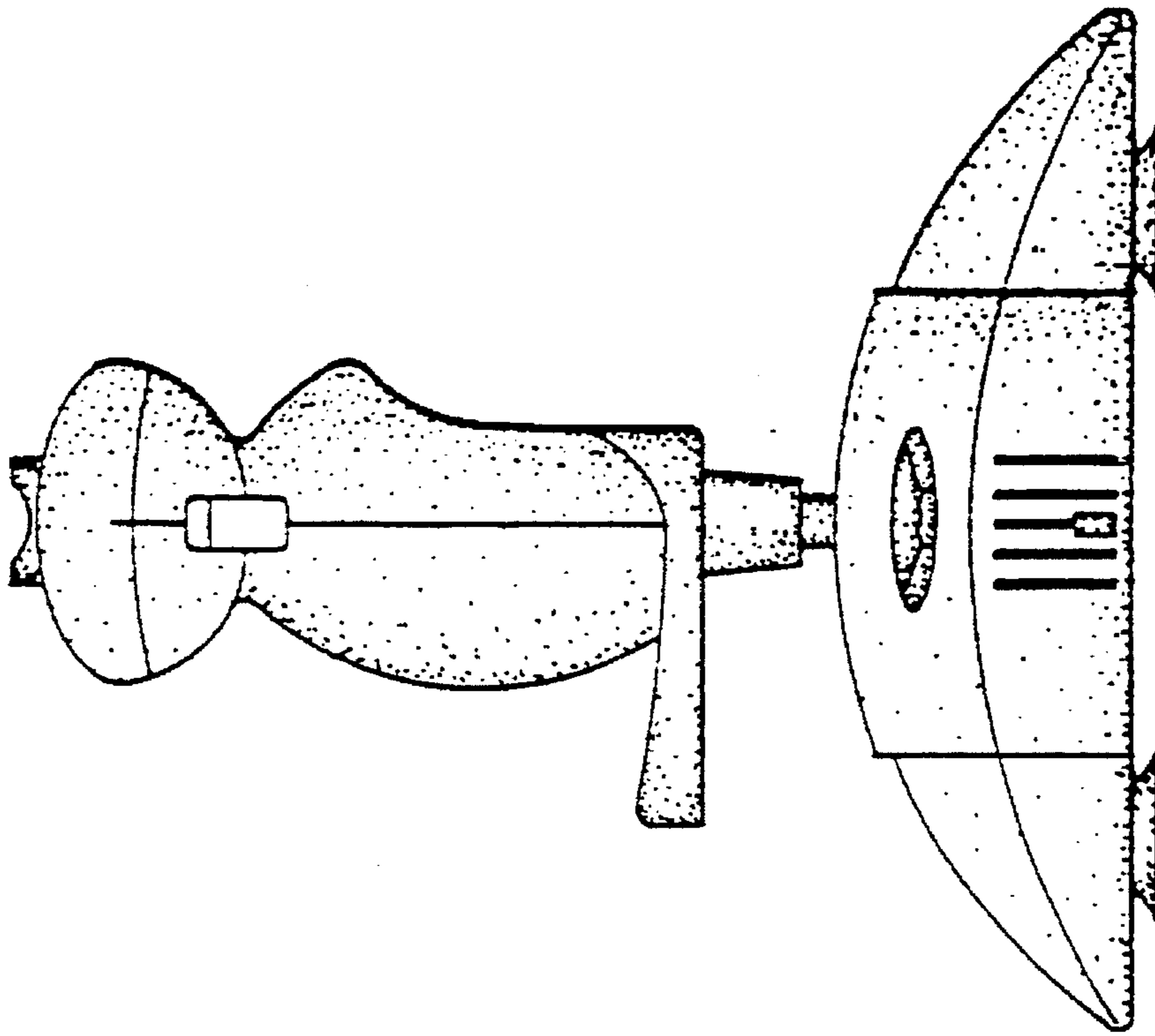


FIG.3

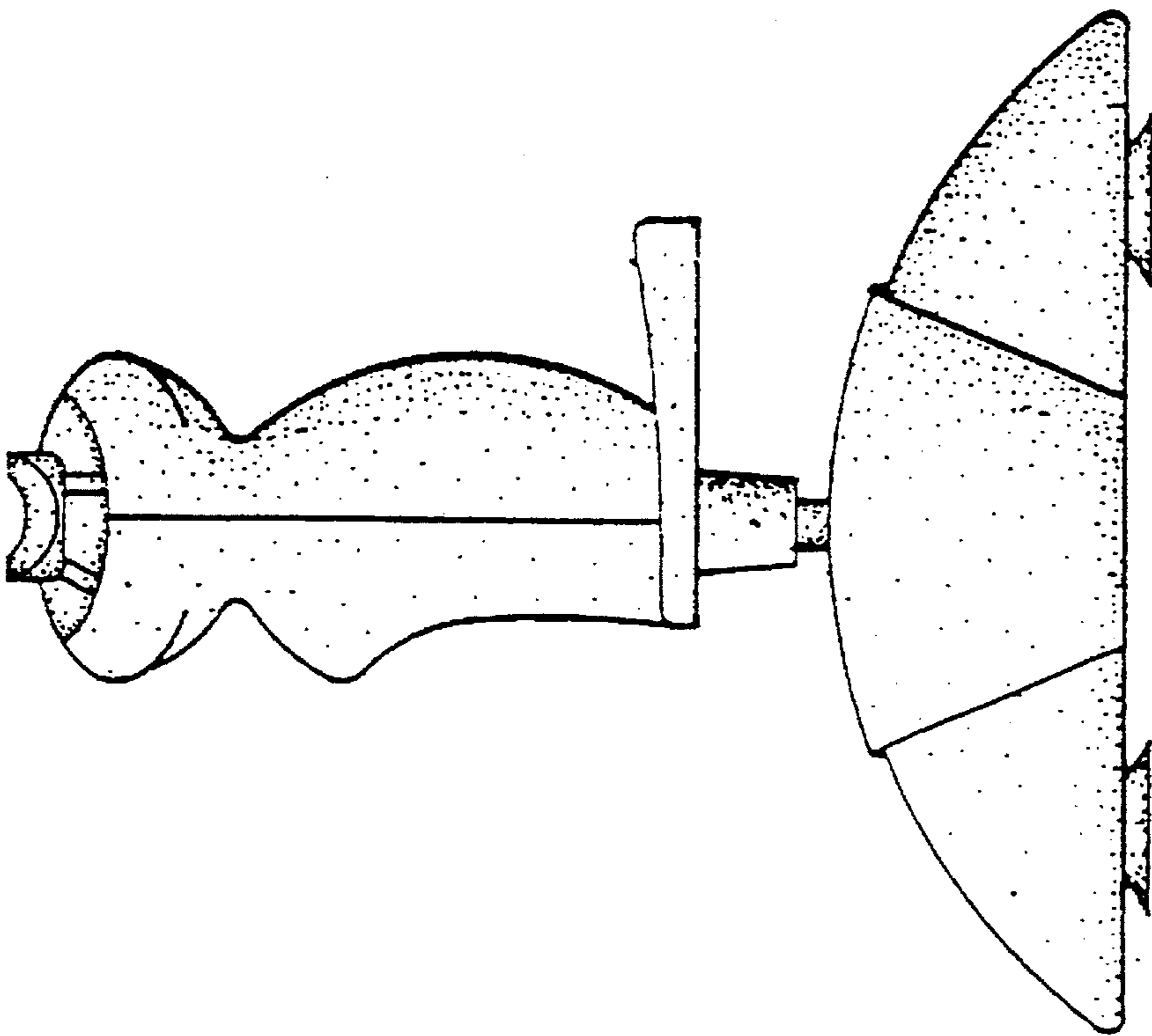


FIG.2

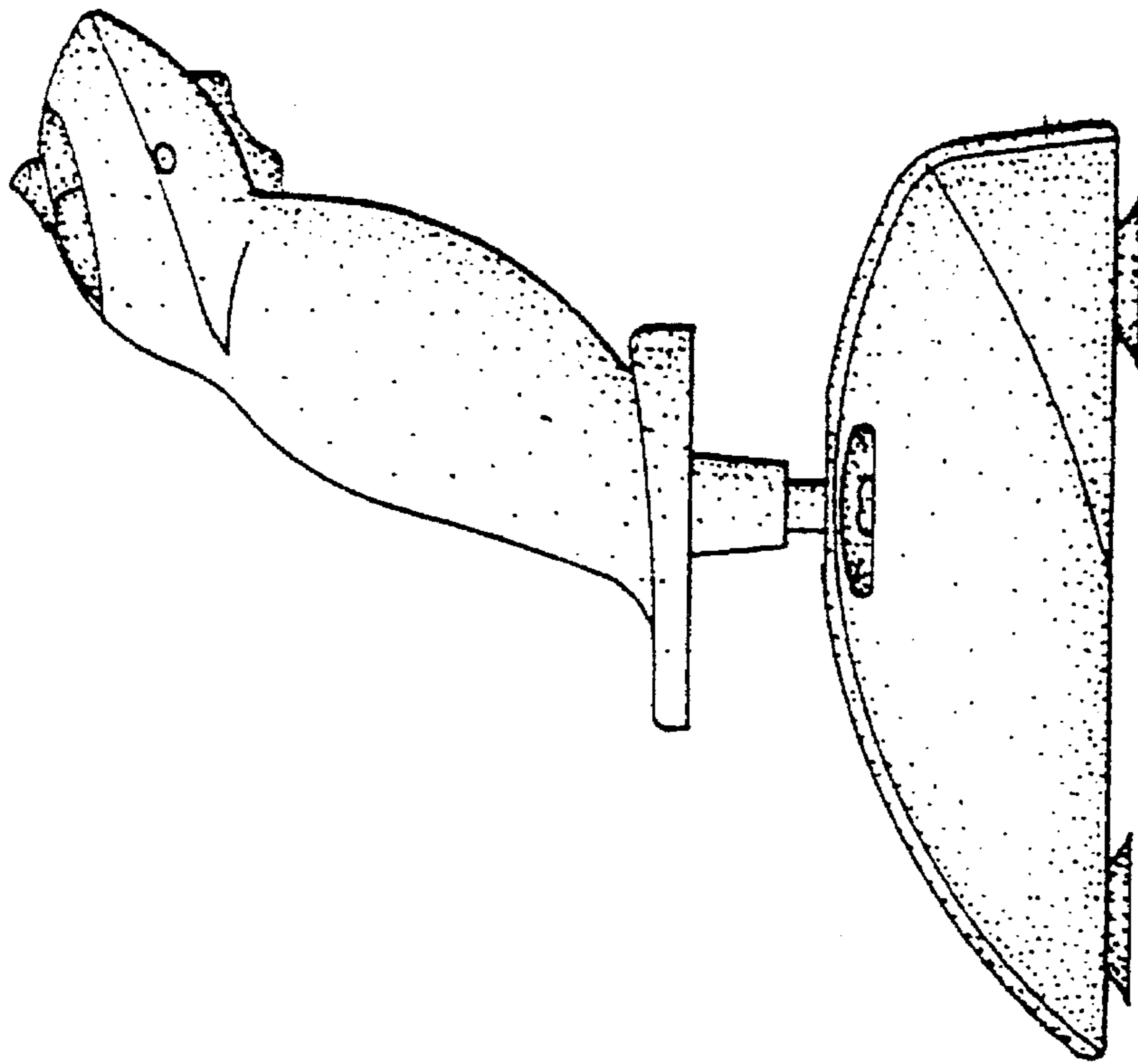


FIG.5

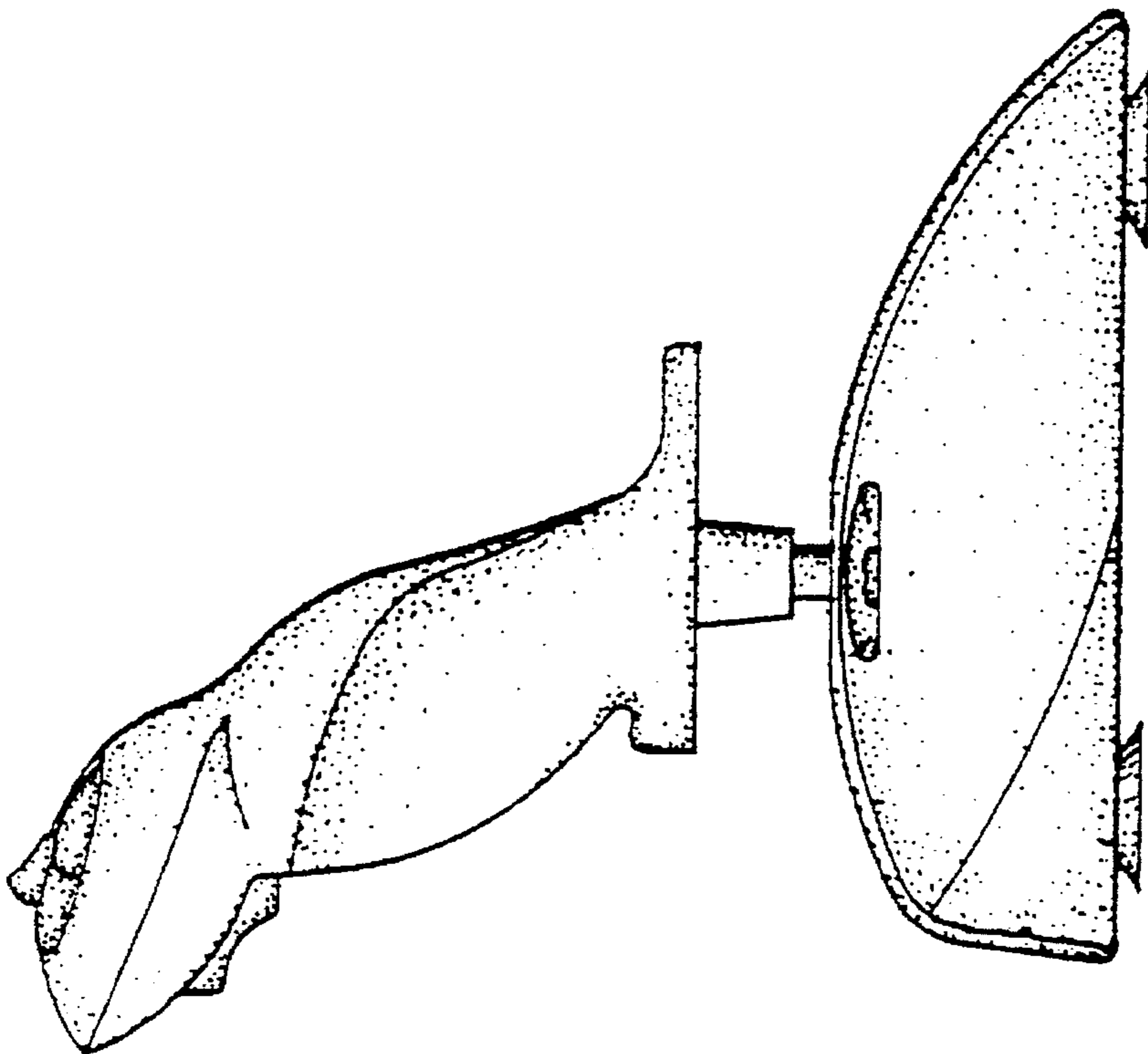


FIG.4

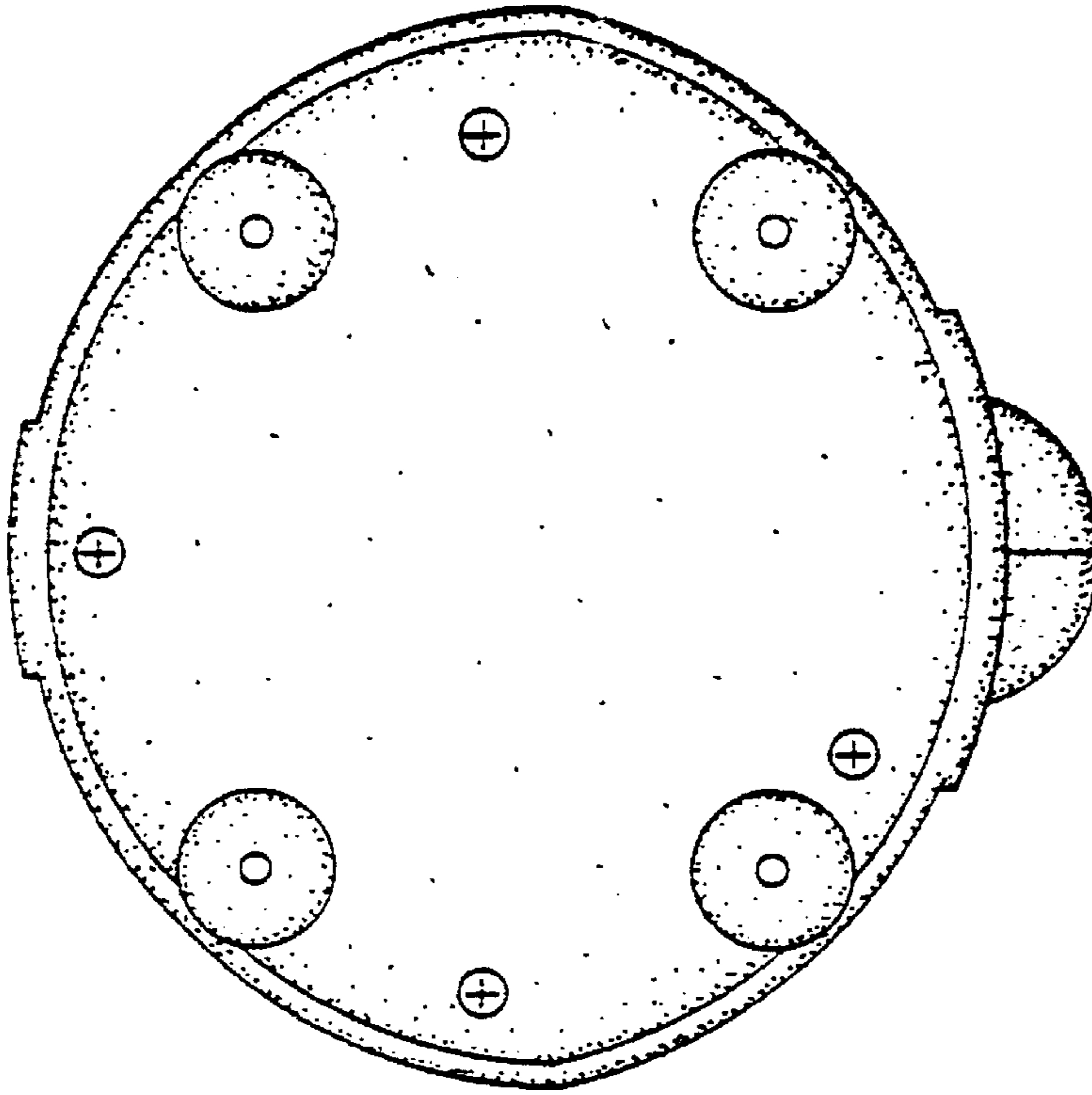


FIG. 6

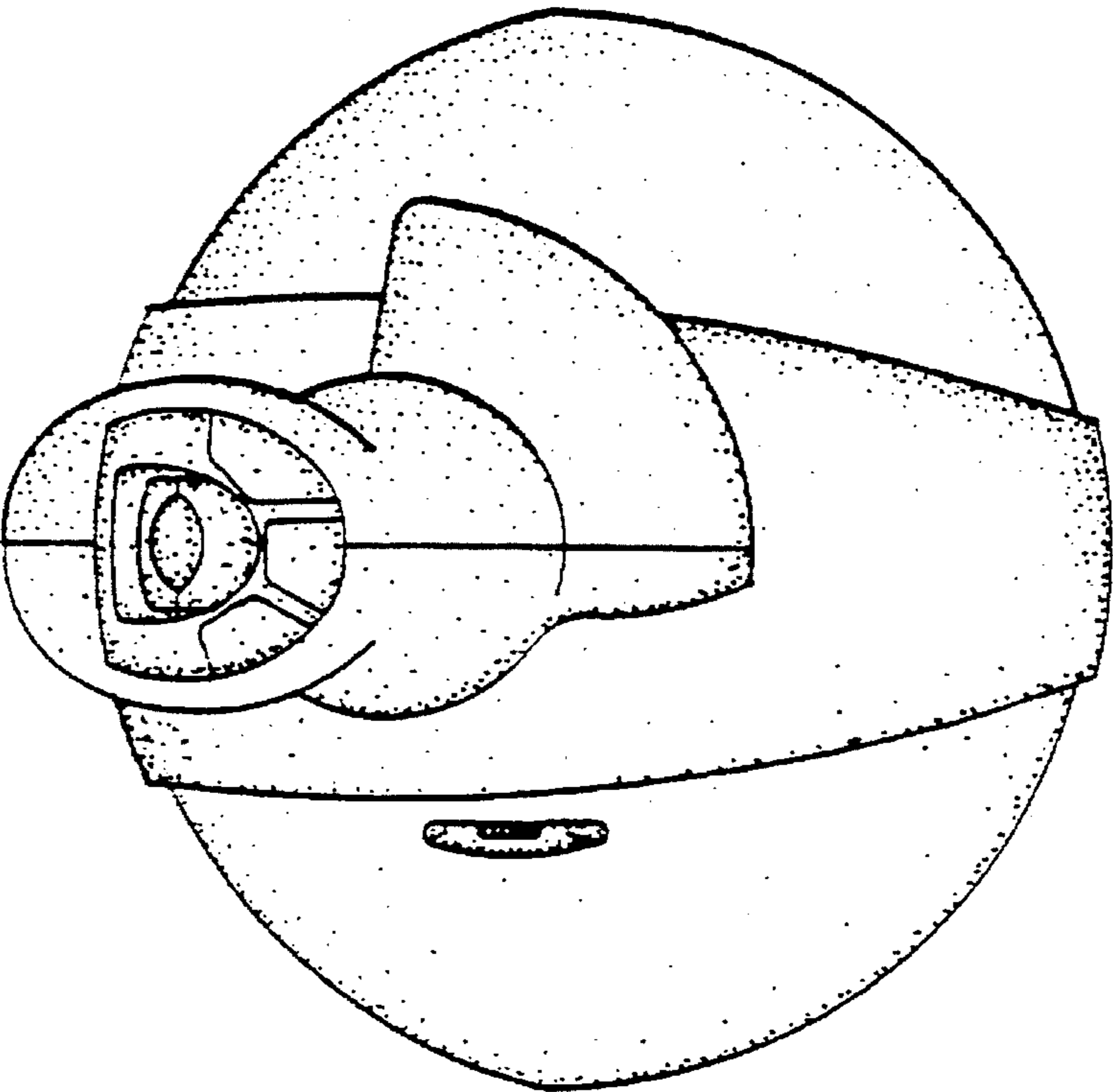


FIG. 7