



US00D378302S

# United States Patent [19]

**Kin-Man Tse**

[11] **Patent Number: Des. 378,302**

[45] **Date of Patent: \*\*Mar. 4, 1997**

[54] **JOYSTICK**

[76] **Inventor: Michael Kin-Man Tse, Room 1204, Block U, Telford Garden, Kowloon Bay, Kowloon, Hong Kong**

[\*\*] **Term: 14 Years**

[21] **Appl. No.: 852,106**

[22] **Filed: Mar. 16, 1992**

### [30] Foreign Application Priority Data

Oct. 15, 1991 [GB] United Kingdom ..... 2018304

[52] **U.S. Cl. .... D21/48**

[58] **Field of Search** ..... D21/1, 13, 48;  
273/148 B, 433-438, DIG. 28; D14/124,  
114, 217

### [56] References Cited

#### U.S. PATENT DOCUMENTS

D. 297,953 10/1988 Yasuda et al. .... D21/48

D. 307,921 5/1990 Barr ..... D21/13

D. 317,949 7/1991 Tse ..... D21/48

D. 318,074 7/1991 Haung ..... D21/48

4,552,360 11/1985 Bromley et al. .... 273/438 X

4,924,216 5/1990 Leung ..... 273/438 X

### OTHER PUBLICATIONS

Home Furnishing Daily, Feb. 1988, p. 79.

*Primary Examiner*—Prabhakar G. Deshmukh

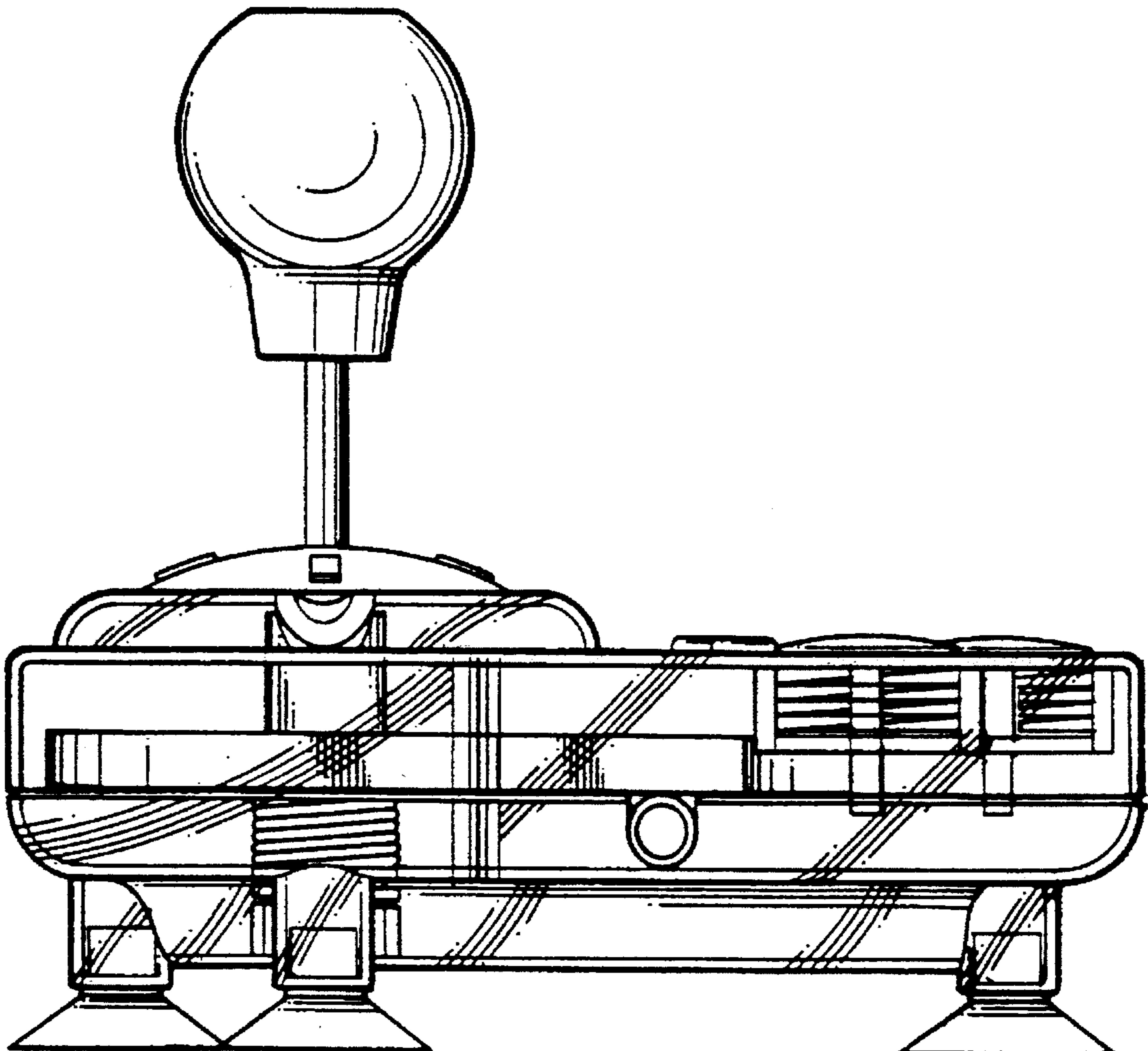
### [57] CLAIM

The ornamental design for a joystick, as shown and described.

### DESCRIPTION

FIG. 1 is the front elevational view showing my design; FIG. 2 is the rear elevational view thereof; FIG. 3 is the left side view thereof; FIG. 4 is the right side view thereof; FIG. 5 is the top plan view thereof; and, FIG. 6 is the bottom plan view thereof.

**1 Claim, 3 Drawing Sheets**



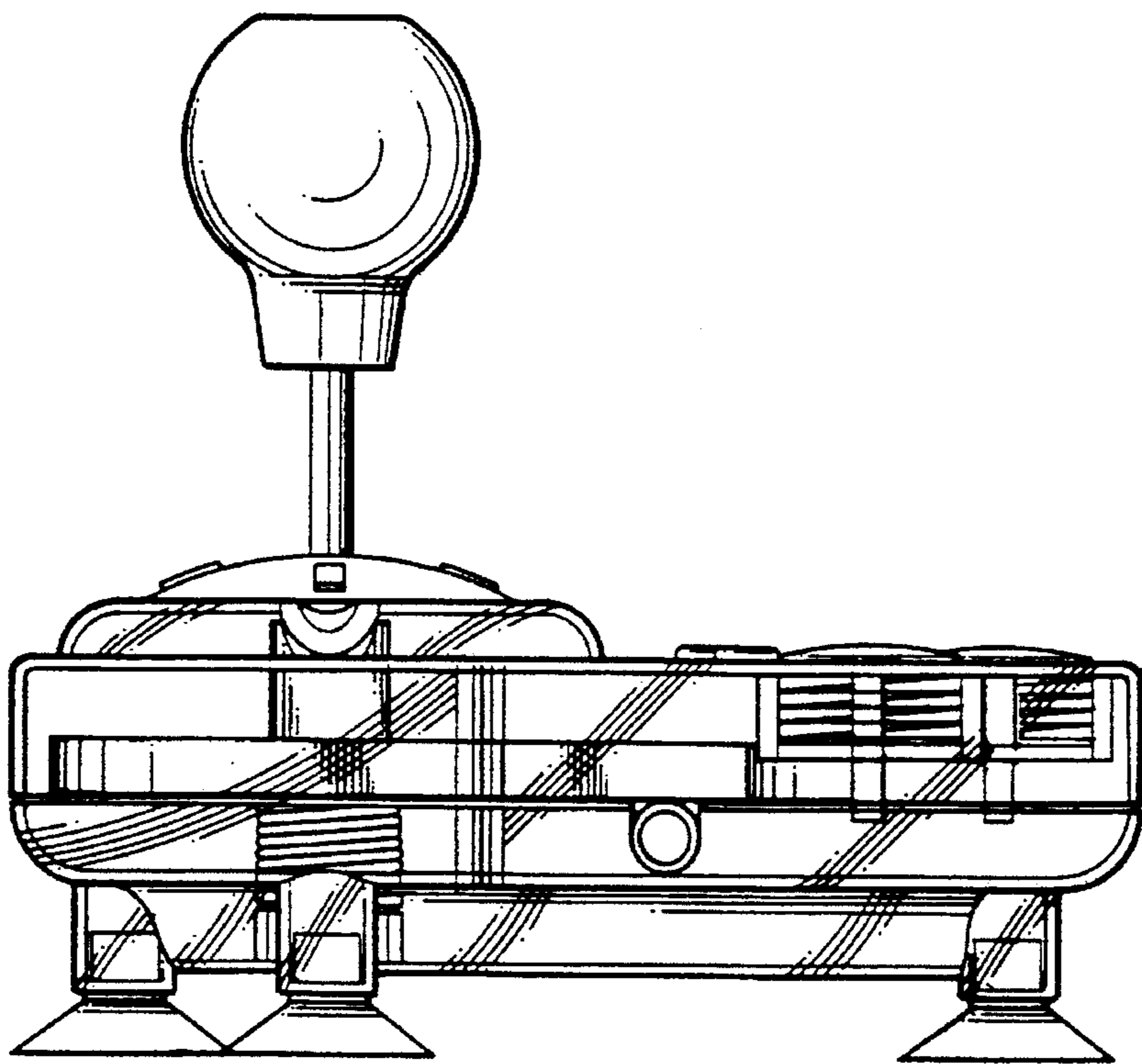


FIG. 1

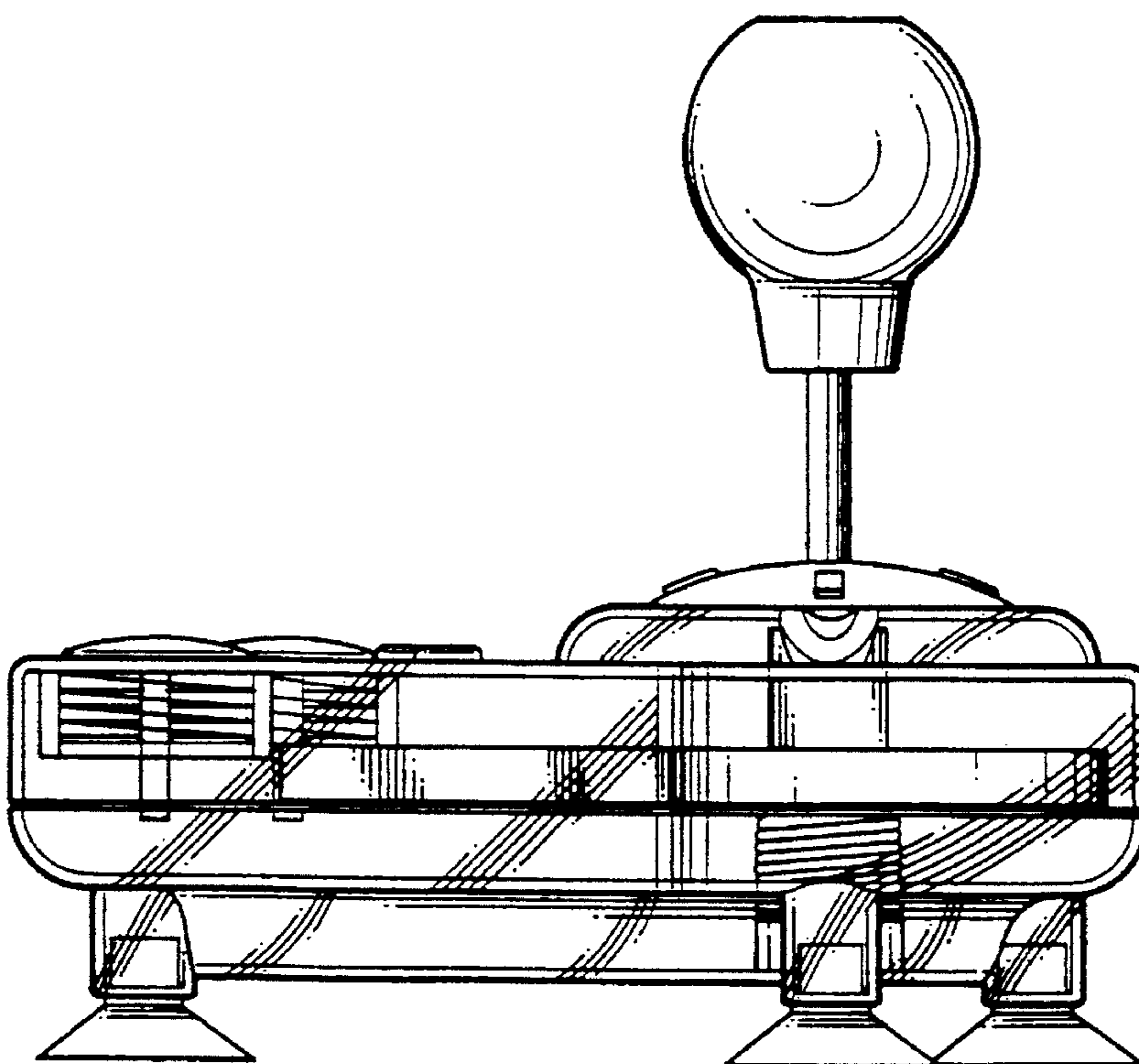


FIG. 2

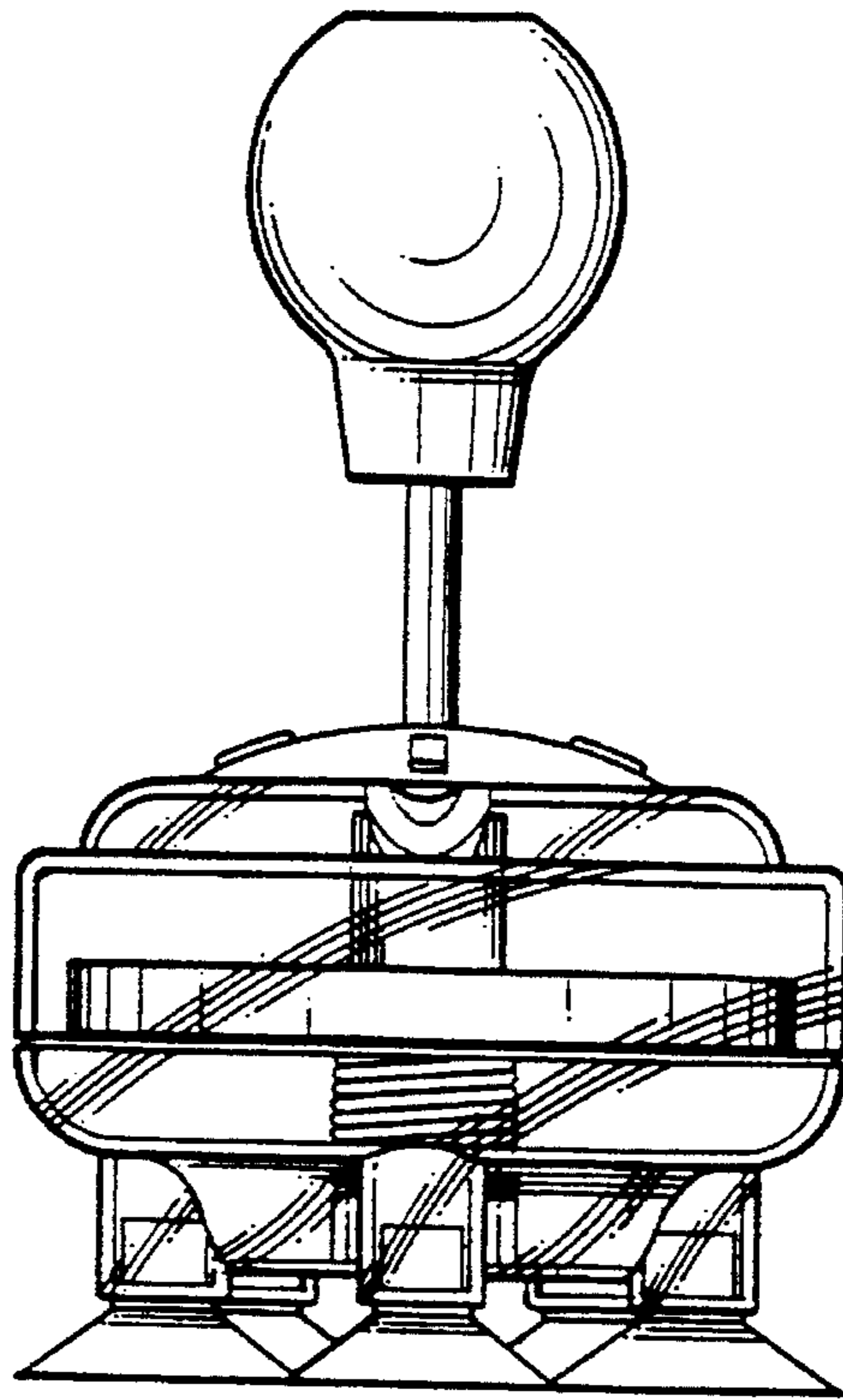


FIG. 3

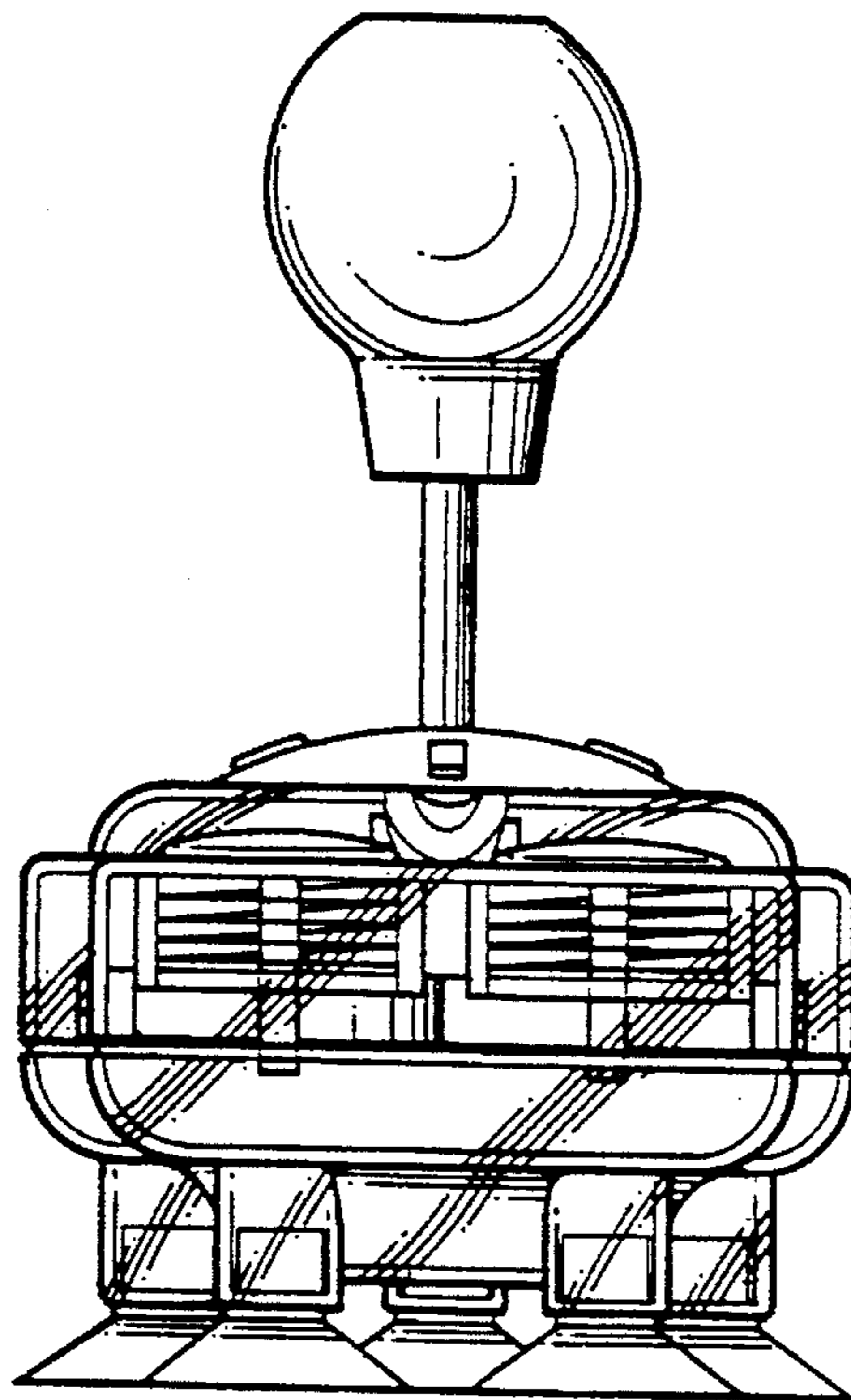


FIG. 4

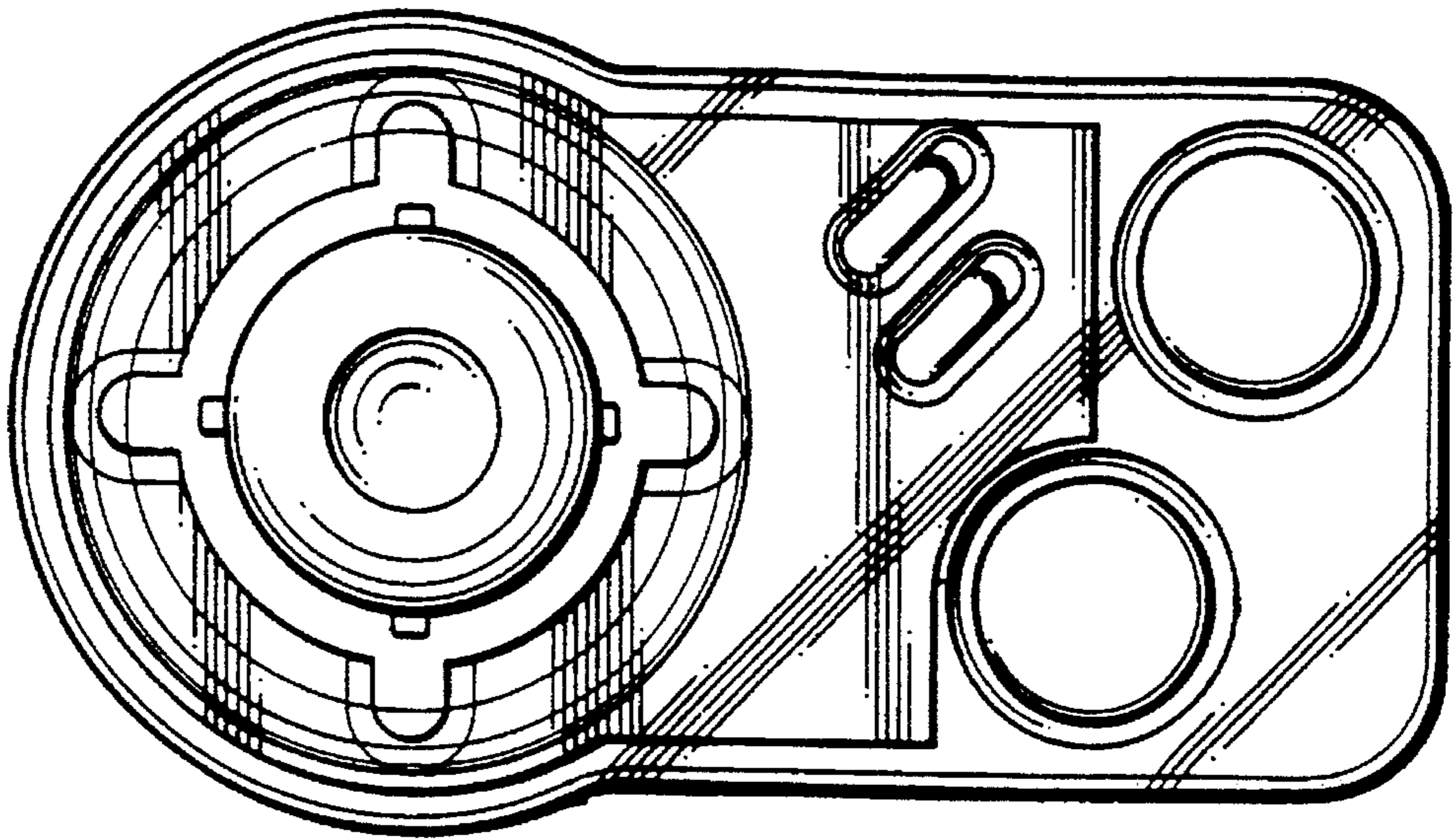


FIG. 5

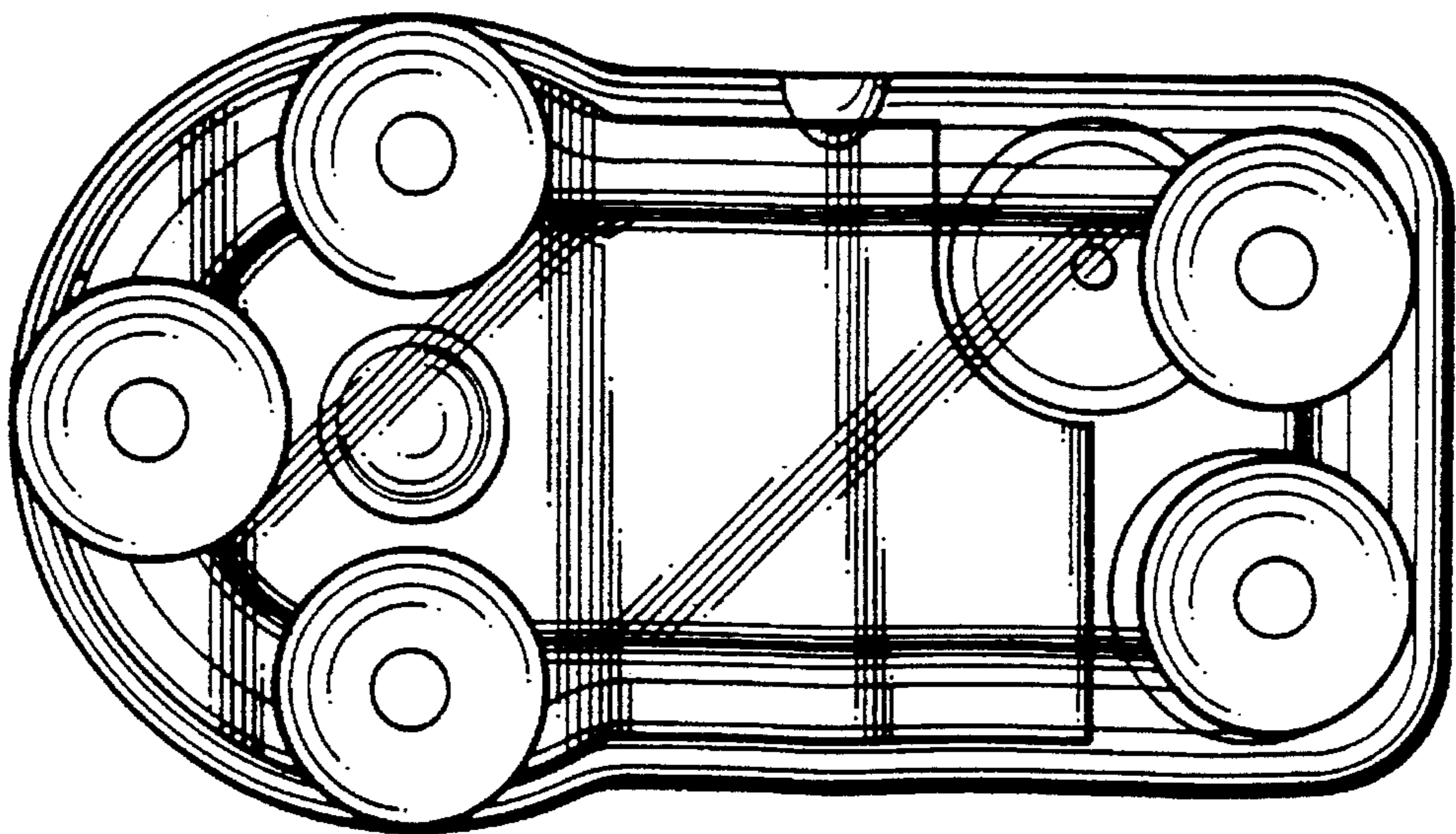


FIG. 6