



US00D378299S

United States Patent [19] Fetherolf

[11] Patent Number: **Des. 378,299**

[45] Date of Patent: ****Mar. 4, 1997**

[54] **DOCUMENT PRINTER**

[75] Inventor: **Will G. Fetherolf, Boise, Id.**

[73] Assignee: **Hewlett-Packard Company, Palo Alto, Calif.**

[**] Term: **14 Years**

[21] Appl. No.: **44,227**

[22] Filed: **Sep. 20, 1995**

[52] U.S. Cl. **D18/50**

[58] Field of Search D18/50, 54-55;
400/613, 613.1-613.4, 691-694, 690.1-690.4;
D14/118

[56] **References Cited**

U.S. PATENT DOCUMENTS

D. 207,282 3/1967 Leubner D18/50
D. 286,654 11/1986 Picard D18/50
D. 322,624 12/1991 Sato et al. D18/55

D. 323,183 1/1992 Irie et al. D18/55
D. 329,644 9/1992 Cheung D14/118
D. 330,200 10/1992 Cheung D14/118
D. 332,621 1/1993 Sugawara D18/55
D. 343,635 1/1994 Shiraishi et al. D18/54
D. 358,836 5/1995 Yamaguchi et al. D18/55
3,375,781 4/1968 Grimm et al. D18/50

Primary Examiner—Cathy Anne MacCormac

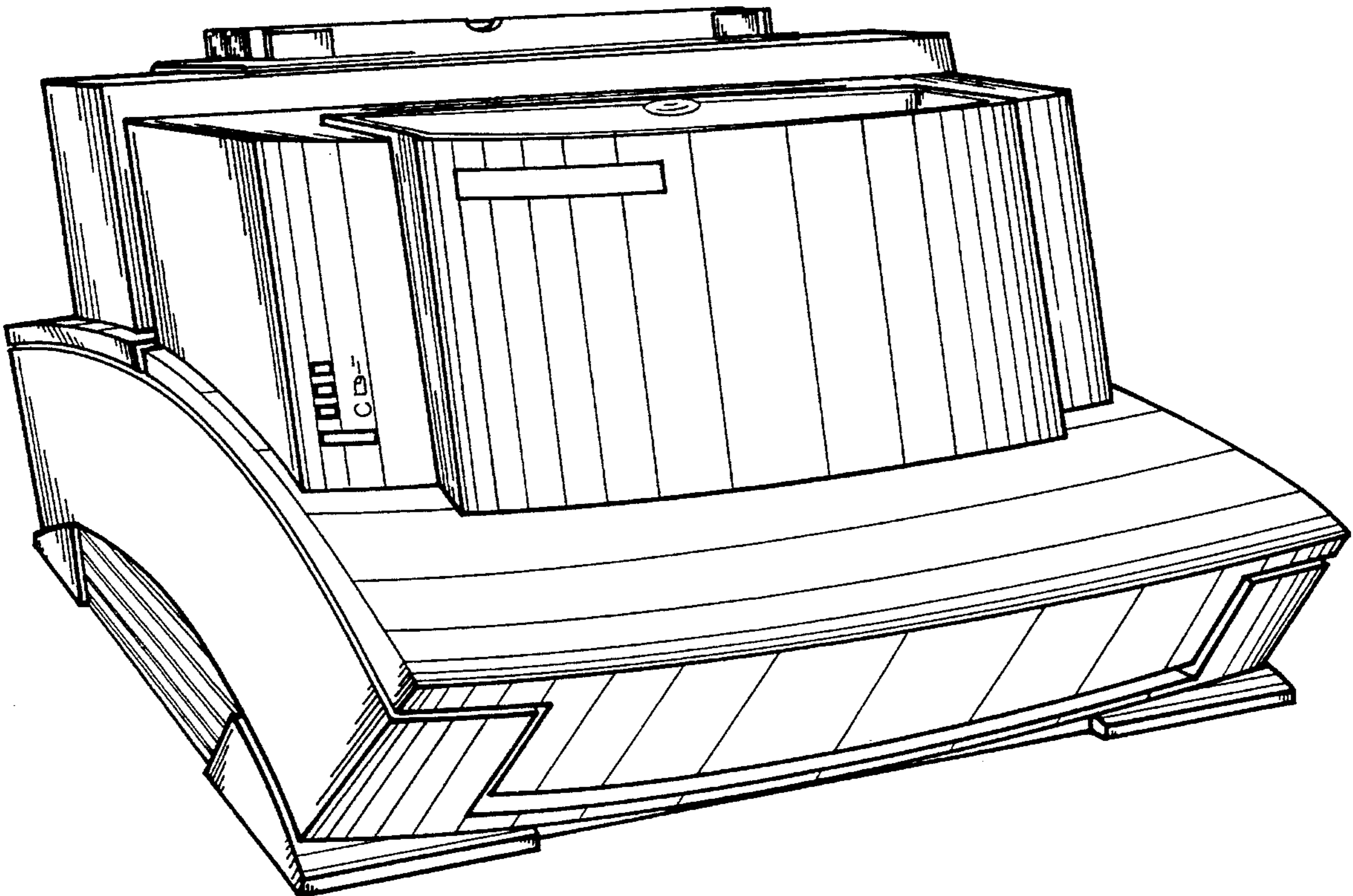
[57] **CLAIM**

The ornamental design for a document printer, as shown.

DESCRIPTION

FIG. 1 is a front perspective of the document printer; FIG. 2 is a top plan view of the document printer; FIG. 3 is a front plan view of the document printer; FIG. 4 is a rear plan view of the document printer; FIG. 5 is a left side plan view of the document printer; and, FIG. 6 is a right side plan view of the document printer.

1 Claim, 6 Drawing Sheets



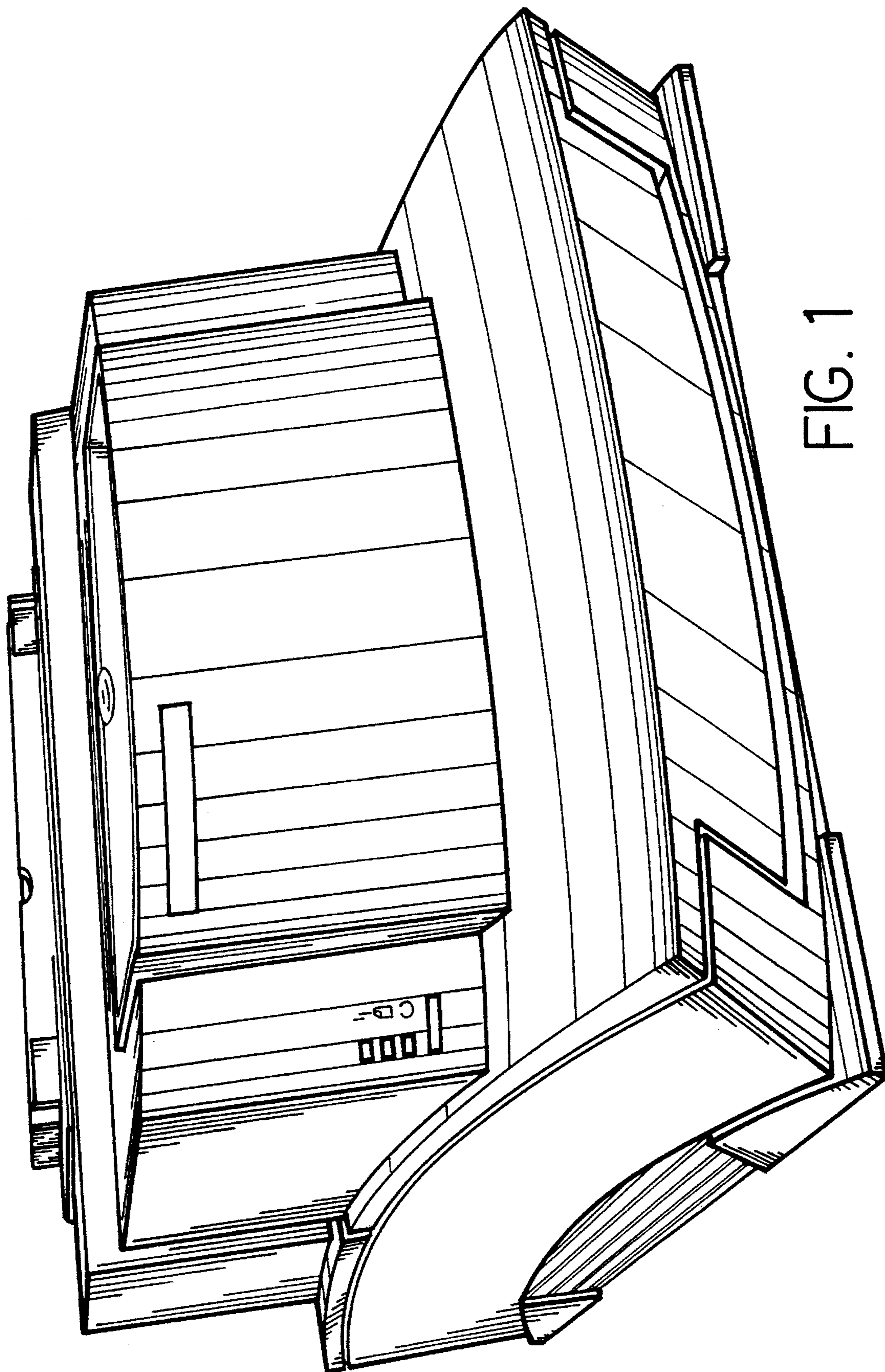


FIG. 1

FIG. 2

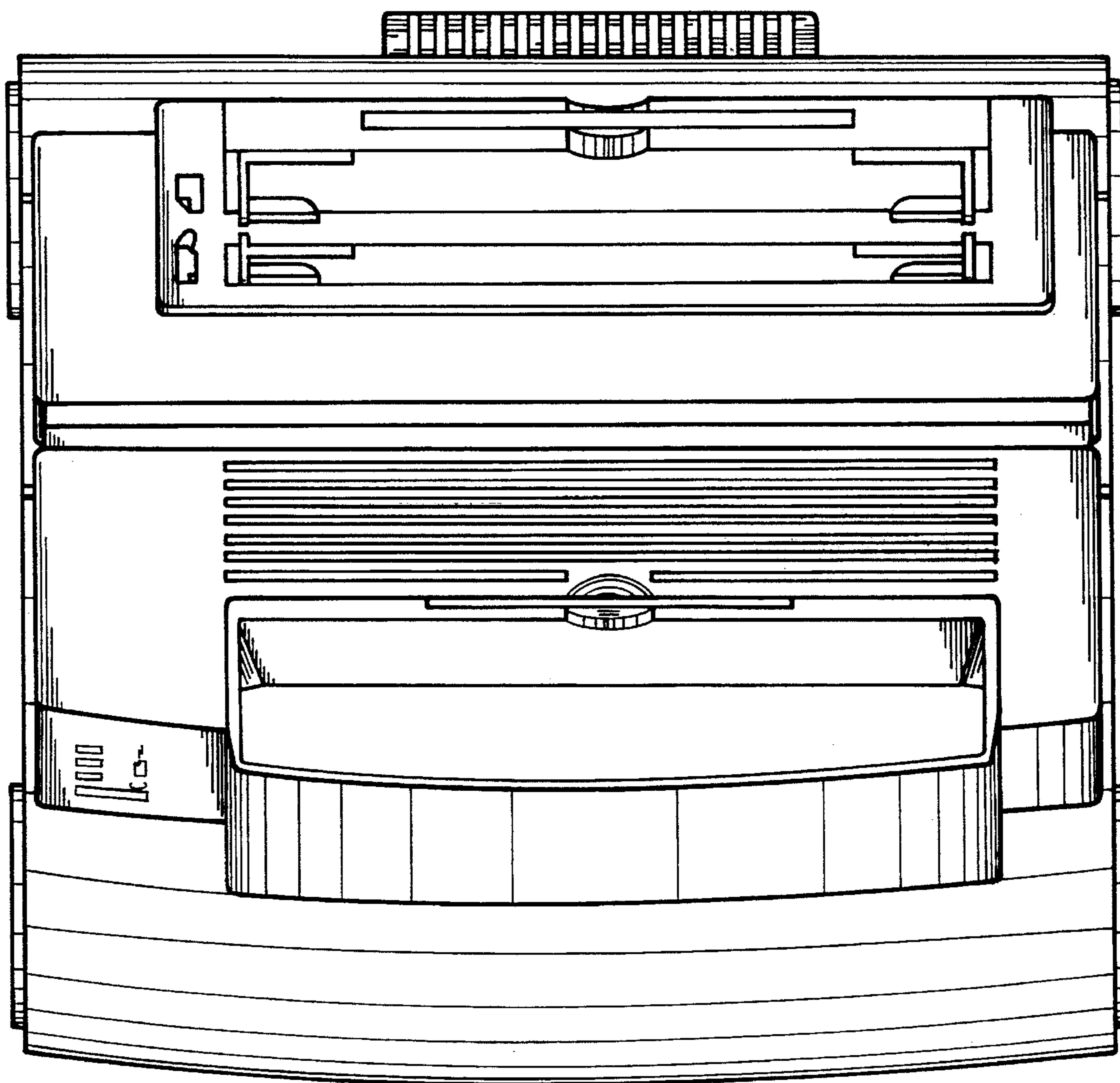


FIG. 3

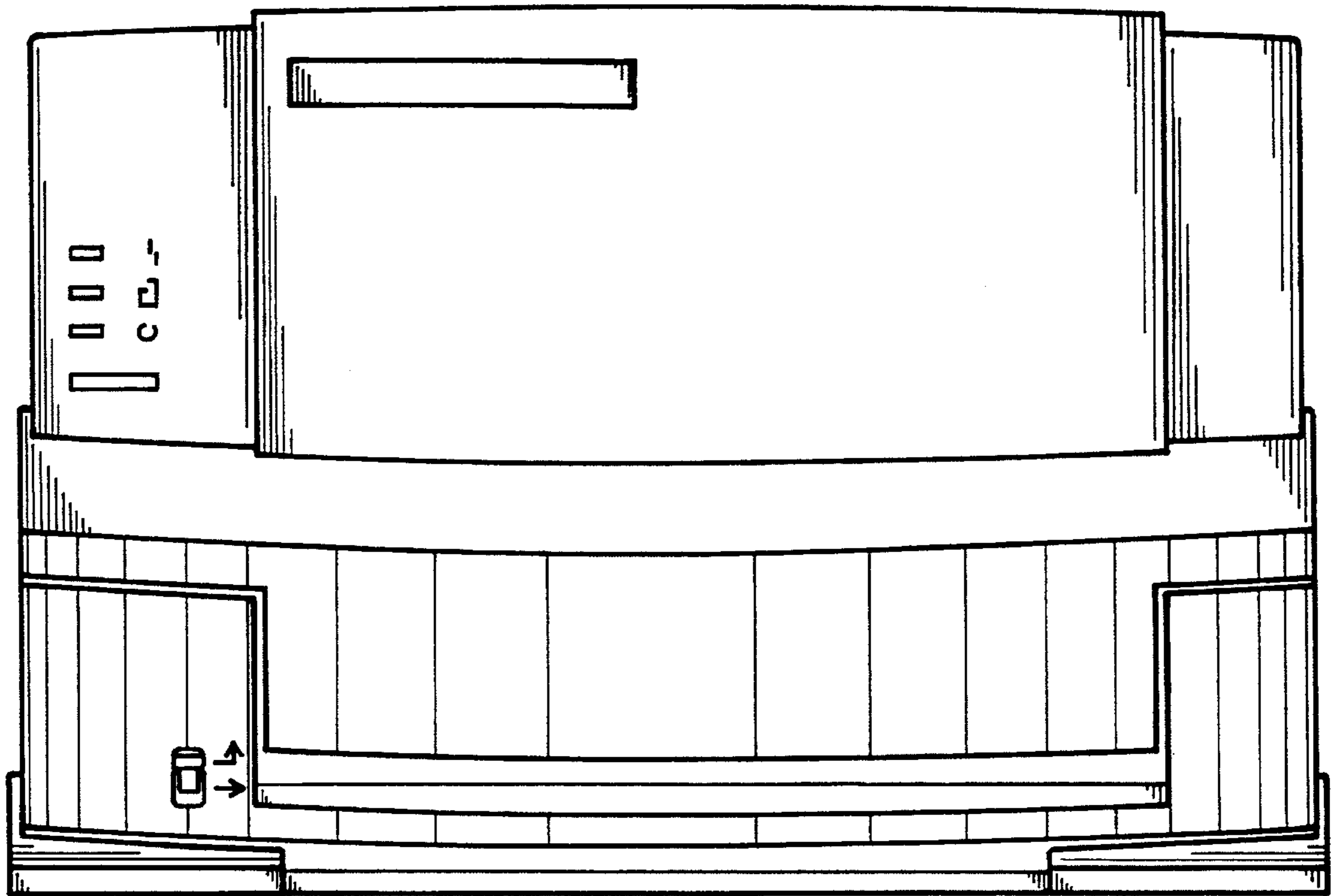


FIG. 4

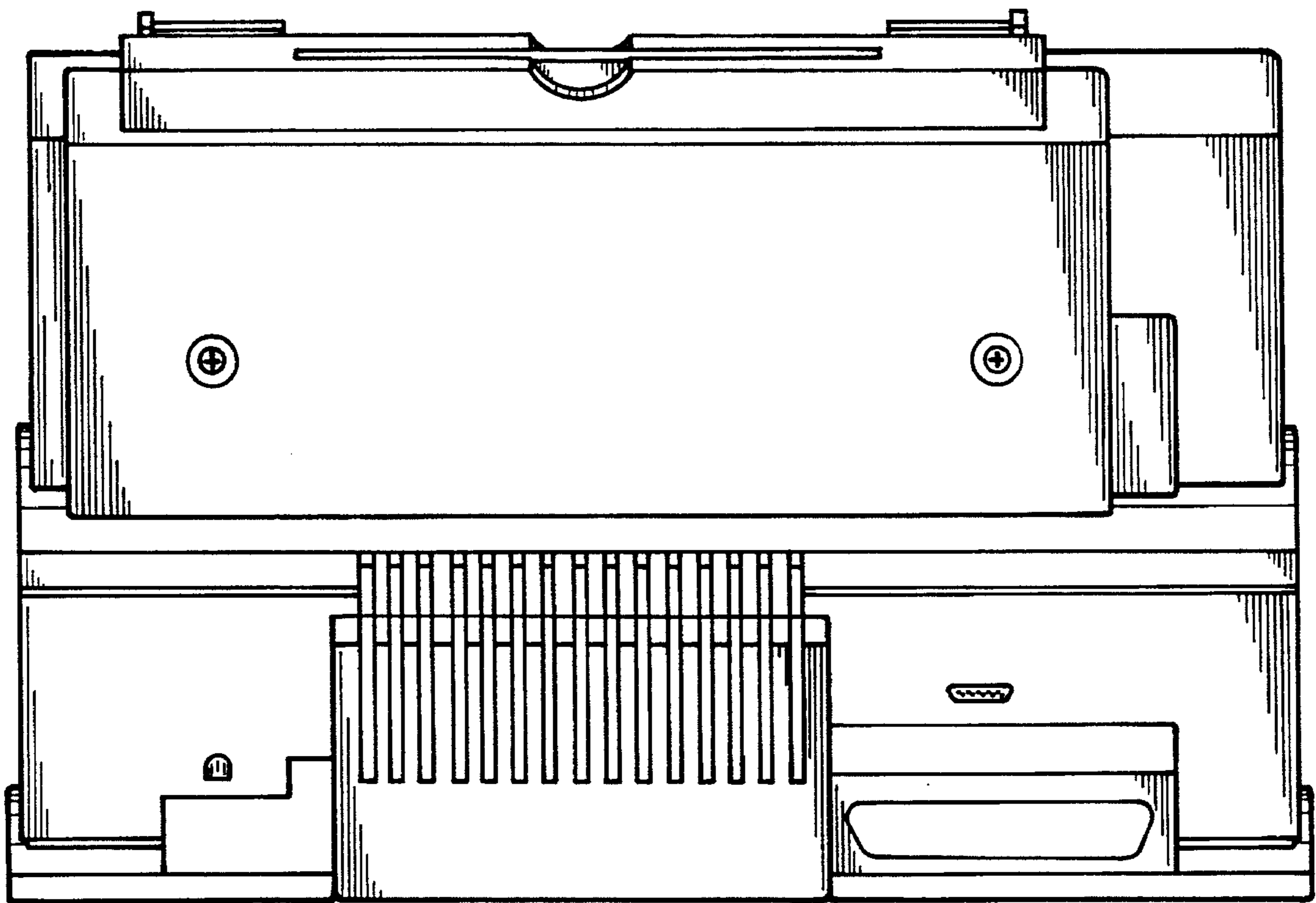
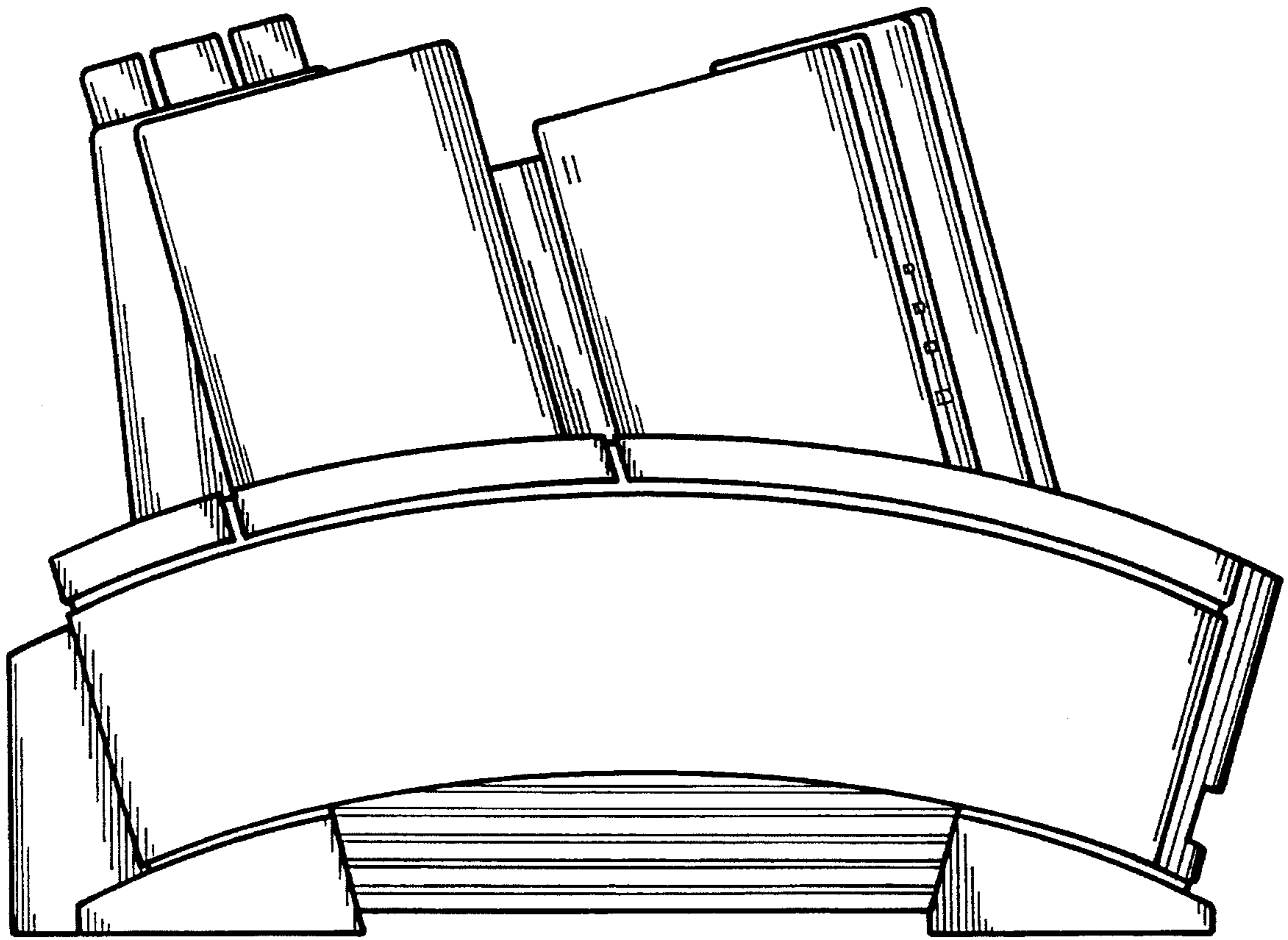


FIG. 5



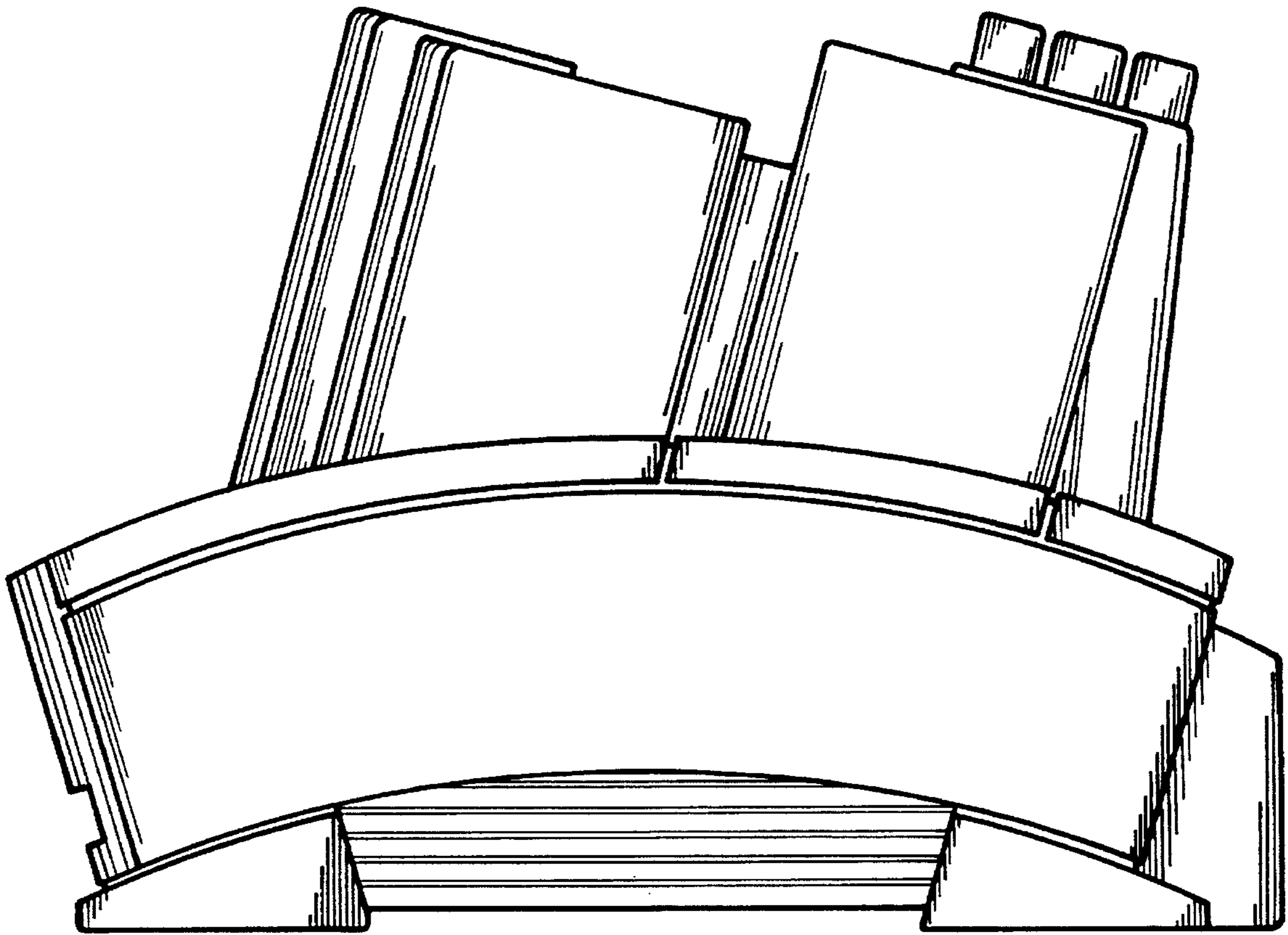


FIG. 6