



US00D378294S

United States Patent [19]

[11] Patent Number: **Des. 378,294**

Barnes et al.

[45] Date of Patent: ****Mar. 4, 1997**

[54] **LAWN TRAILER**

[75] Inventors: **J. Bradon Barnes; Mark P. Schafer; Mark B. Gramelspacher**, all of Indianapolis, Ind.

[73] Assignee: **EverGreen International, Inc.**, Lebanon, Ind.

[**] Term: **14 Years**

[21] Appl. No.: **46,962**

[22] Filed: **Nov. 22, 1995**

[52] U.S. Cl. **D15/17; D15/27**

[58] Field of Search **D15/10, 14-17, D15/27, 28; 56/13.4, 16.7, 202, 320.1, 320.2; 180/89.1, 89.2, 900**

[56] **References Cited**

U.S. PATENT DOCUMENTS

D. 320,800	10/1991	Johnson et al.	D15/27
D. 321,889	11/1991	Burns et al.	D15/17
3,496,977	2/1970	Gifford	146/107
4,158,279	6/1979	Jackson	56/202
4,310,998	1/1982	Cuba	56/202
4,476,668	10/1984	Reilly	56/202
4,699,393	10/1987	Schweigert	280/460 R
4,761,943	8/1988	Parker et al.	56/202
4,787,197	11/1988	Schweigert	56/202
4,836,610	6/1989	Doering et al.	56/202
4,881,362	11/1989	Parker et al.	56/202
4,922,696	5/1990	Burns et al.	56/202
4,986,062	1/1991	Hill	56/16.9
5,070,687	12/1991	Schweigert	56/202
5,291,722	3/1994	Schweigert	56/203
5,307,613	5/1994	Delery	56/202

OTHER PUBLICATIONS

Simplicity Lawn Care Systems Catalog, Cover, dated 1984. Brochure marked as John Deere 348H High-Dump Material Collection Systems Dated Jan. 1995.

Brochure marked as John Deere 346T Hydraulic Tilt-Dump Material Collection System Dated Jul. 1993.

Brochure marked as John Deere 345H High-Dump Material Collection System Undated.

Brochure for material collection system marked as BACS De Ramassage, GAH 700/900/1250 Undated.

Brochure for YANMAR Agricultural Equipment Co. Ltd. of Japan Undated.

Photograph 1 is a side-view of a material collection system marked E-Z Vac Undated.

Photograph 2 is a right perspective side-view of a material collection system believed to be distributed by John Deere Undated.

Photograph 3 is a closer right perspective side-view of the material collection system shown in Photograph 2 Undated.

Photograph 4 is a left perspective side-view of the material collection system shown in Photograph 2 Undated.

Primary Examiner—Sandra L. Morris

Attorney, Agent, or Firm—Woodard, Emhardt, Naughton Moriarty & McNett

[57] **CLAIM**

The ornamental design for a lawn trailer, as shown and described.

DESCRIPTION

FIG. 1 is a right side elevational view of a lawn trailer, showing our new design;

FIG. 2 is a rear elevational view thereof;

FIG. 3 is a left side elevational view thereof;

FIG. 4 is a bottom plan view thereof;

FIG. 5 is a top plan view thereof;

FIG. 6 is a front elevational view thereof;

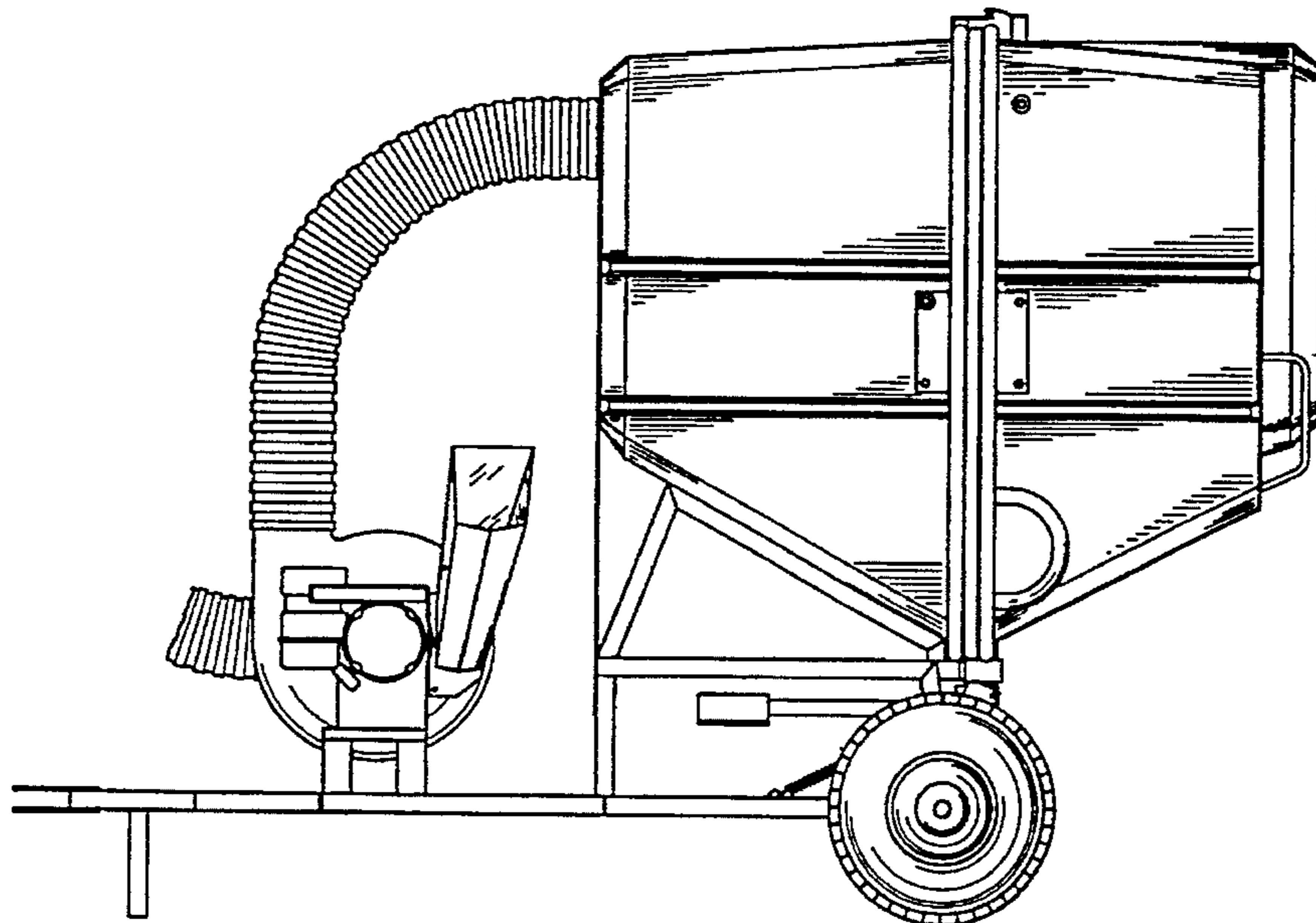
FIG. 7 is a right side elevational view, shown in an open position;

FIG. 8 is a rear elevational view thereof;

FIG. 9 is a left side elevational view thereof; and,

FIG. 10 is a front elevational view thereof.

1 Claim, 5 Drawing Sheets



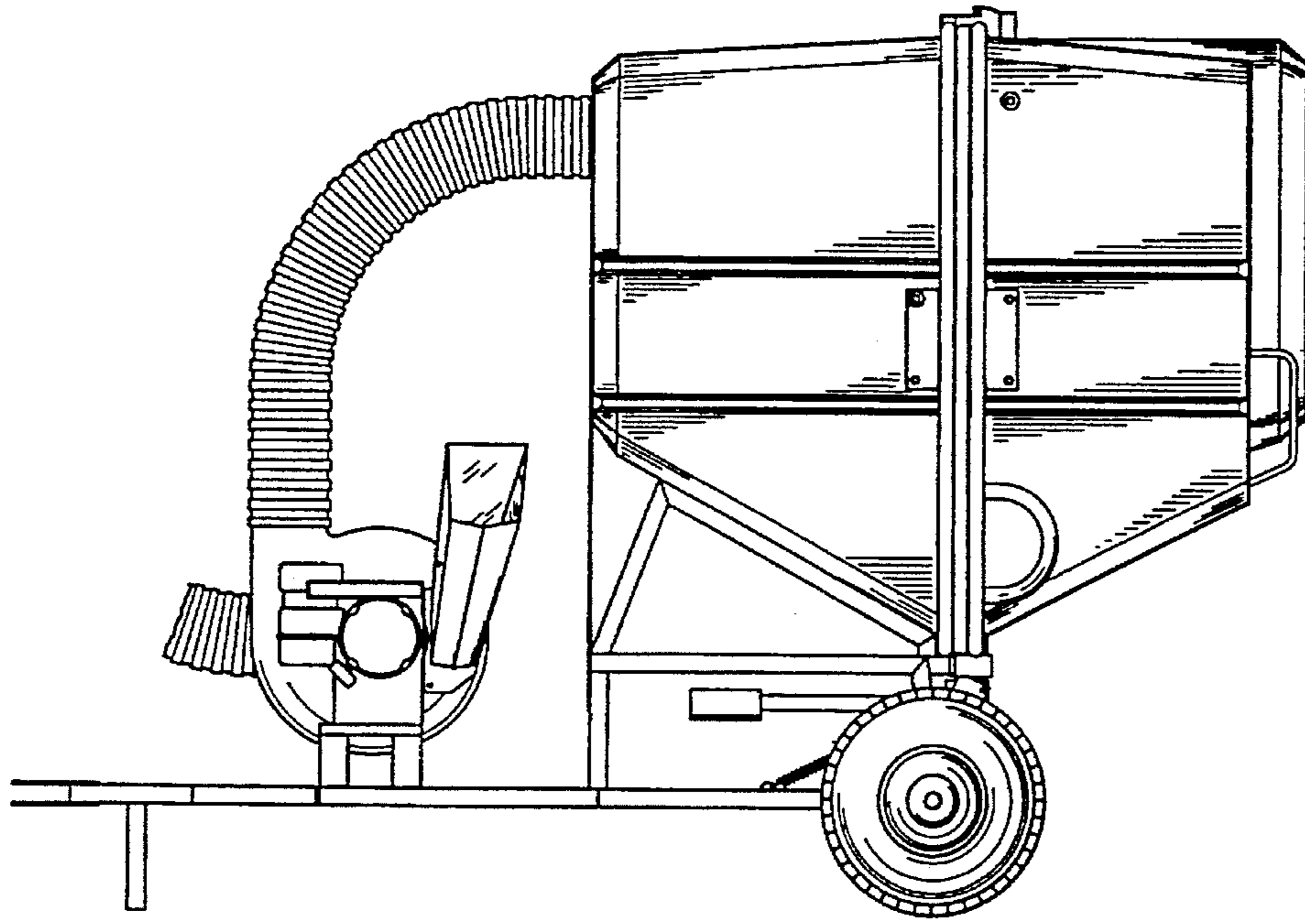


Fig. 1

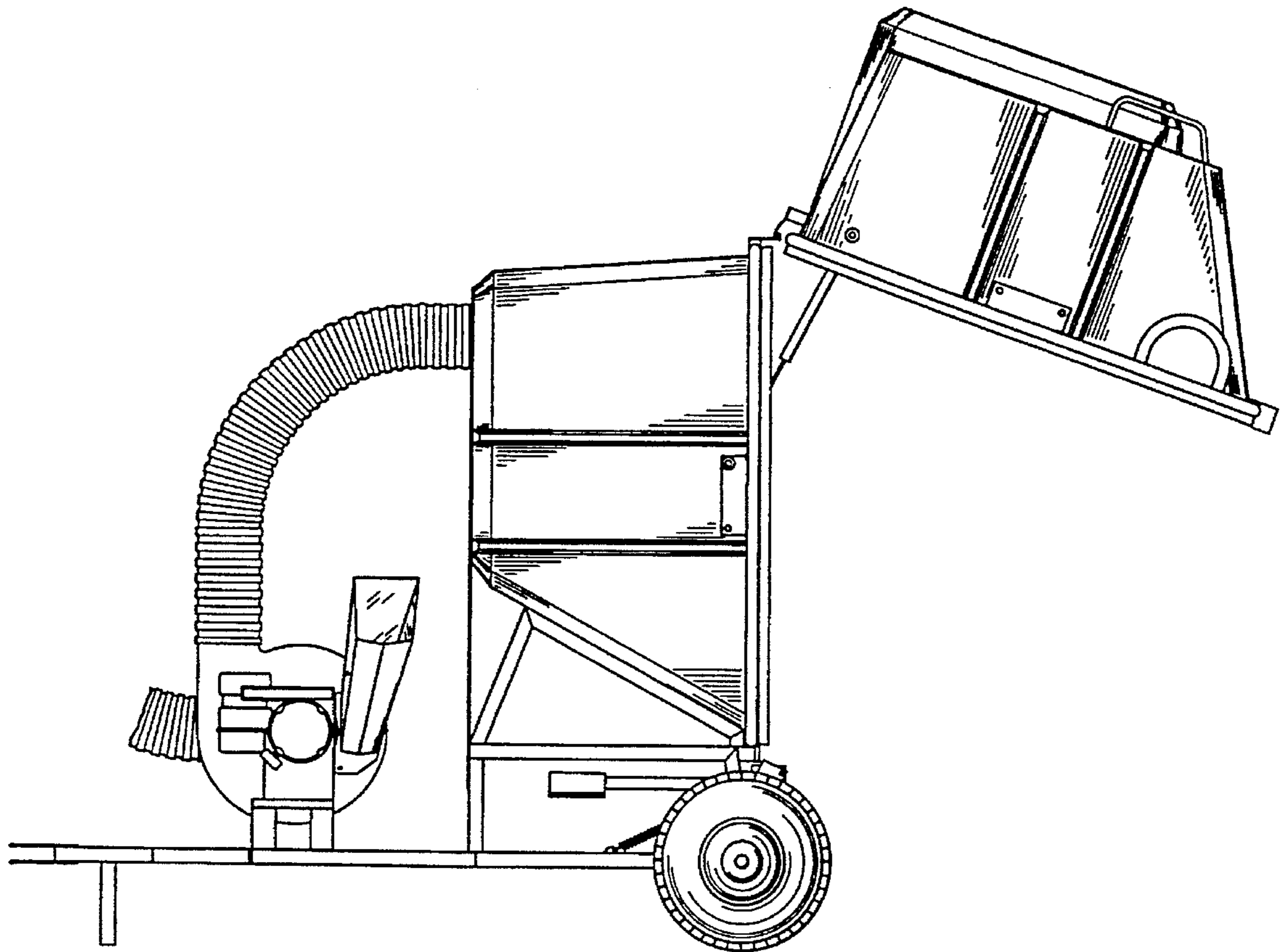


Fig. 7

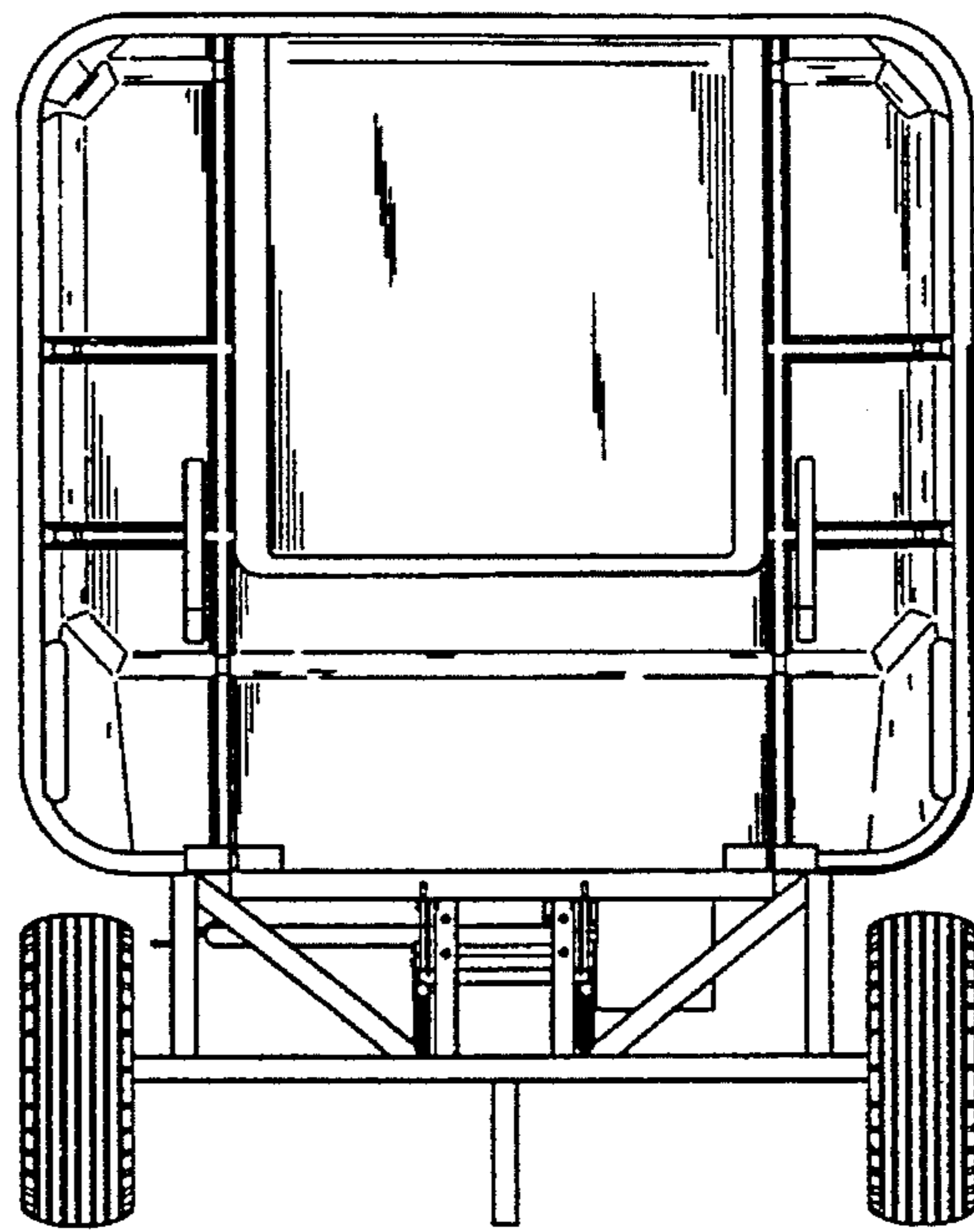


Fig. 2

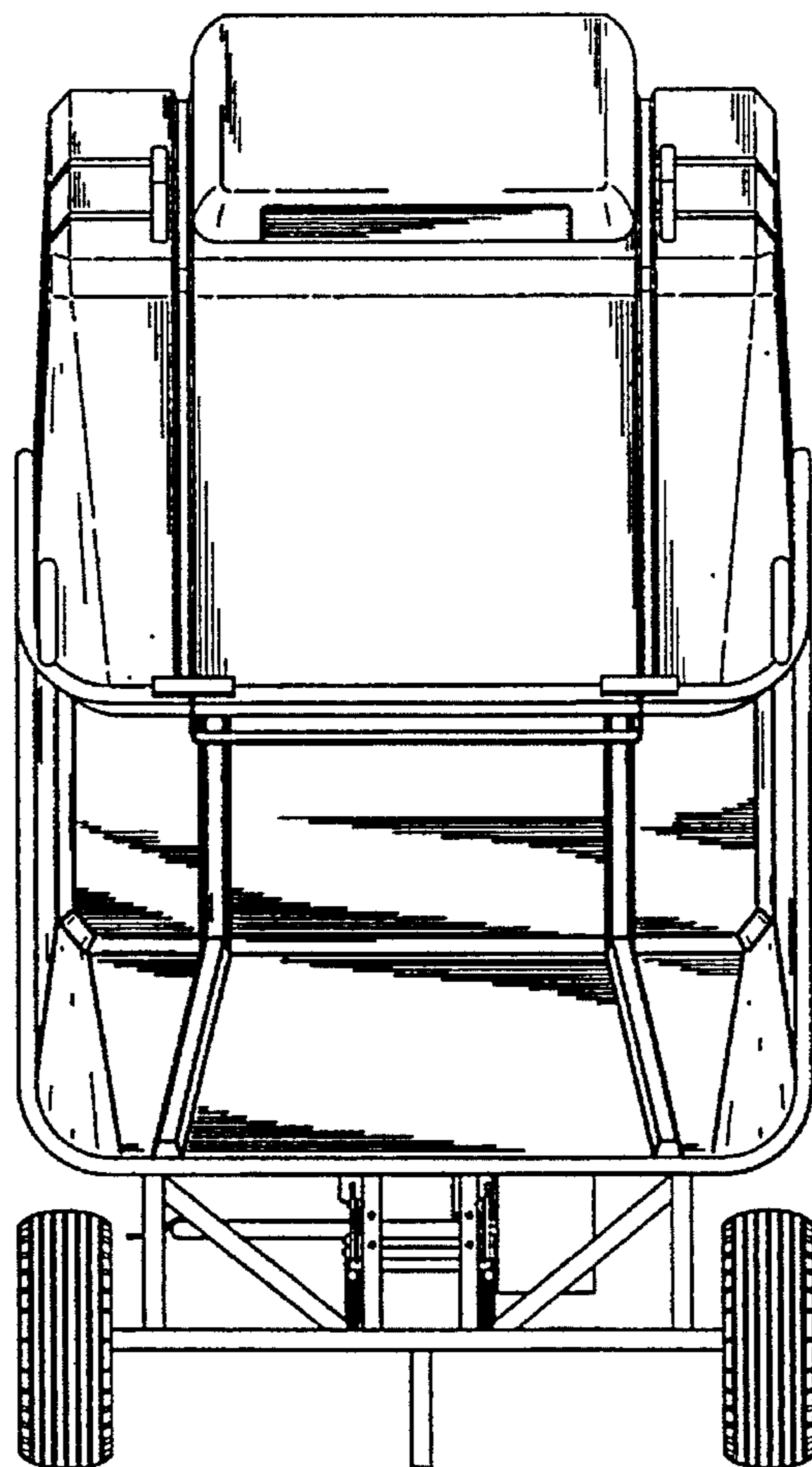


Fig. 8

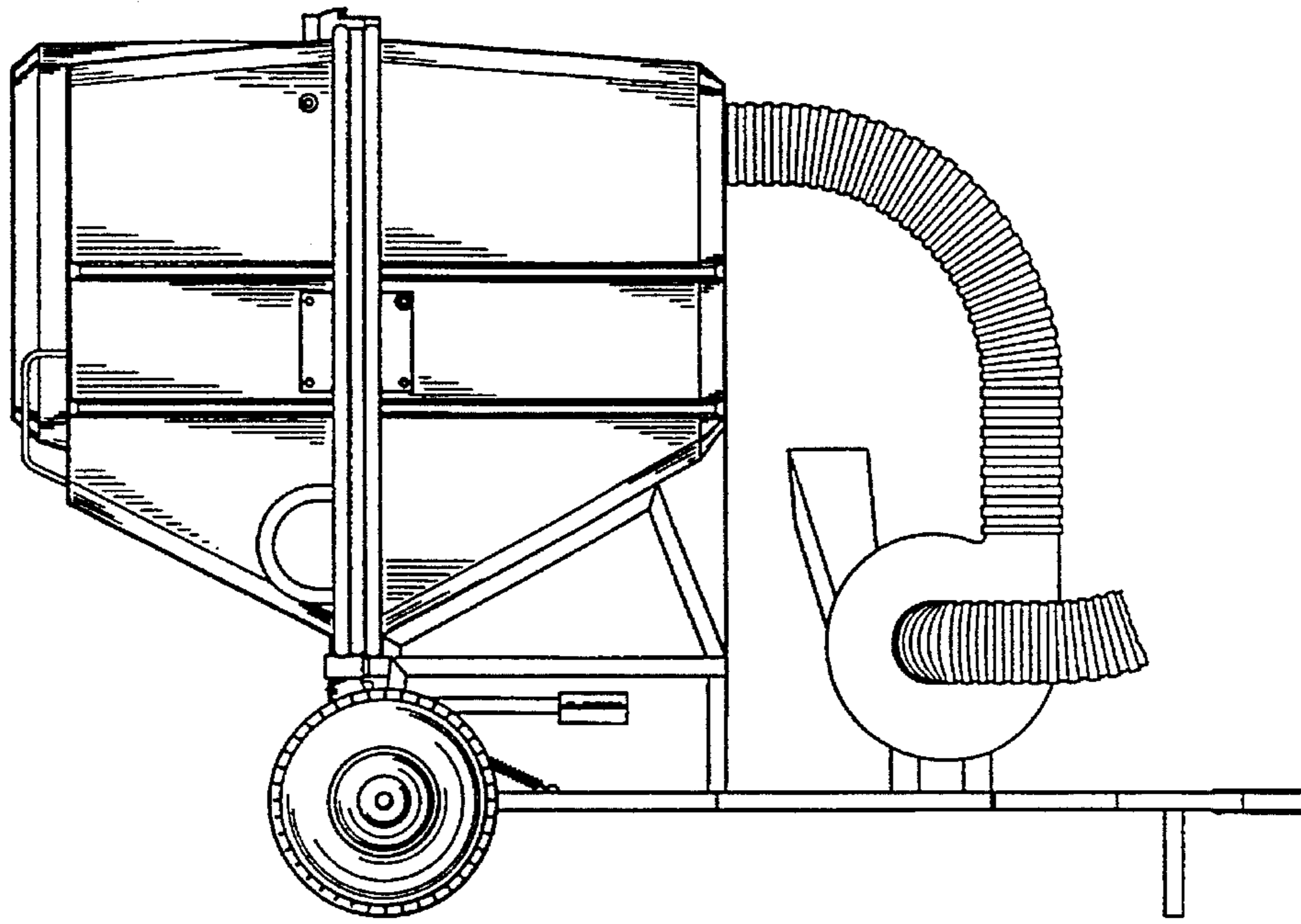


Fig. 3

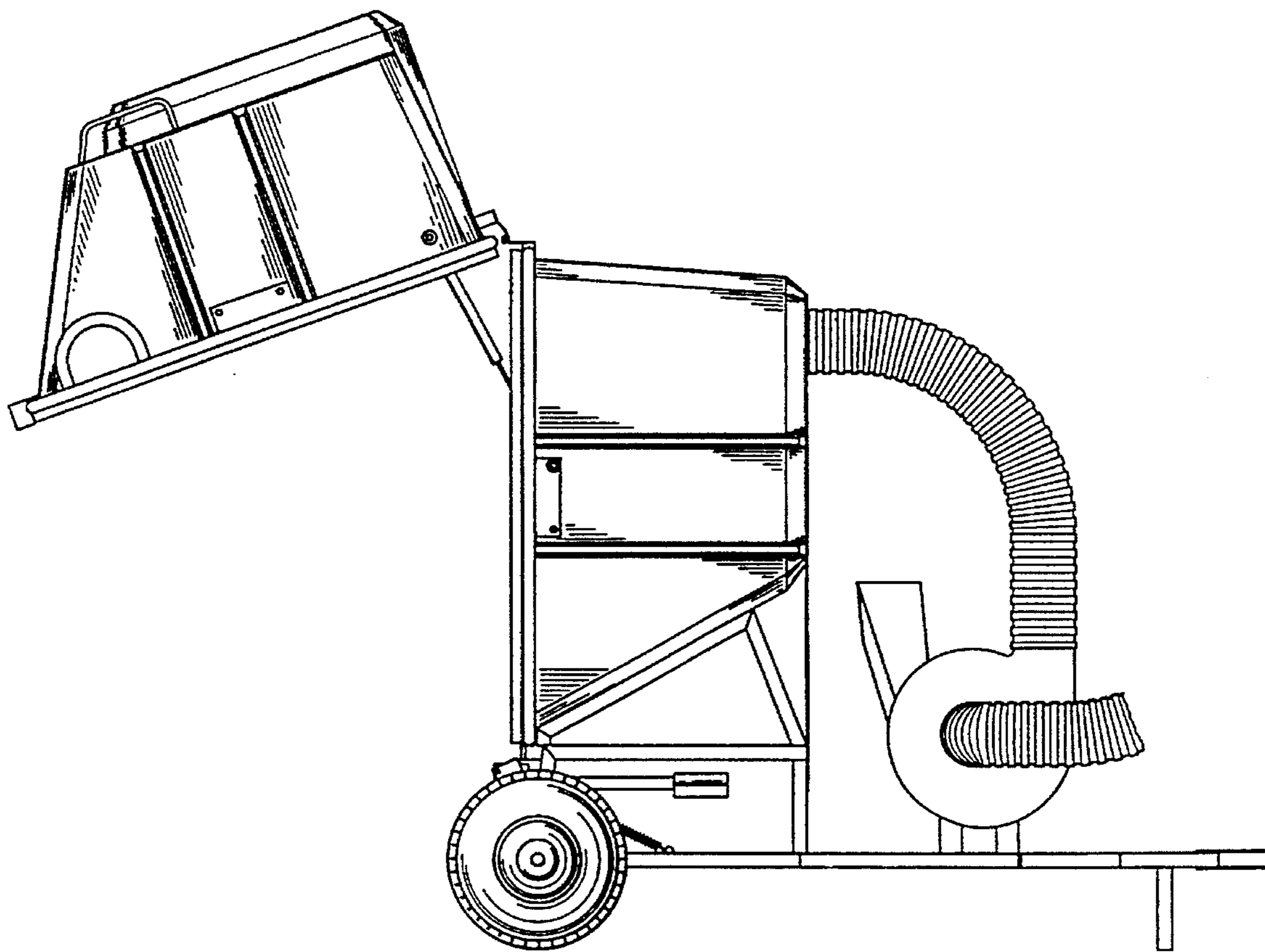


Fig. 9

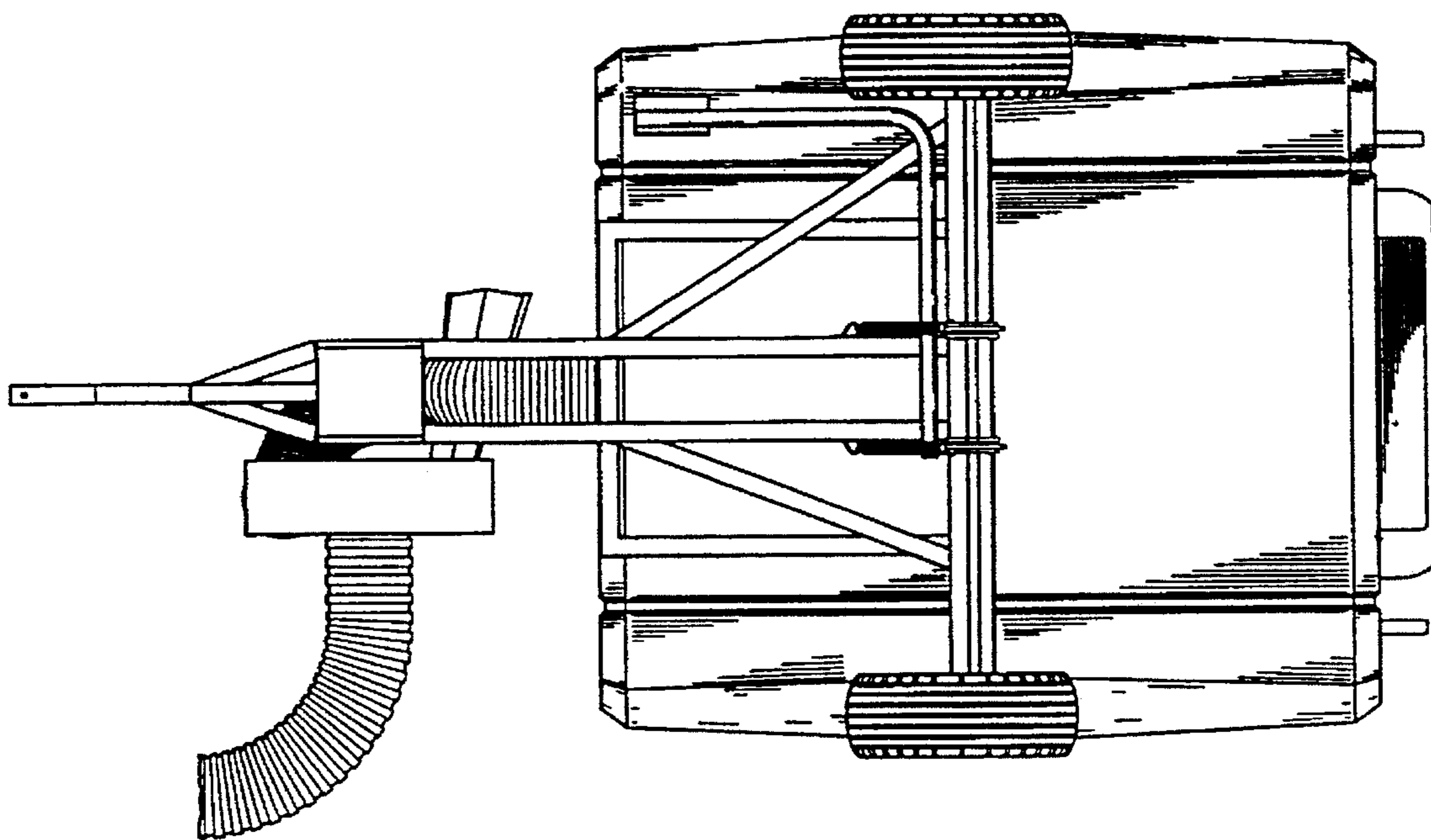


Fig. 4

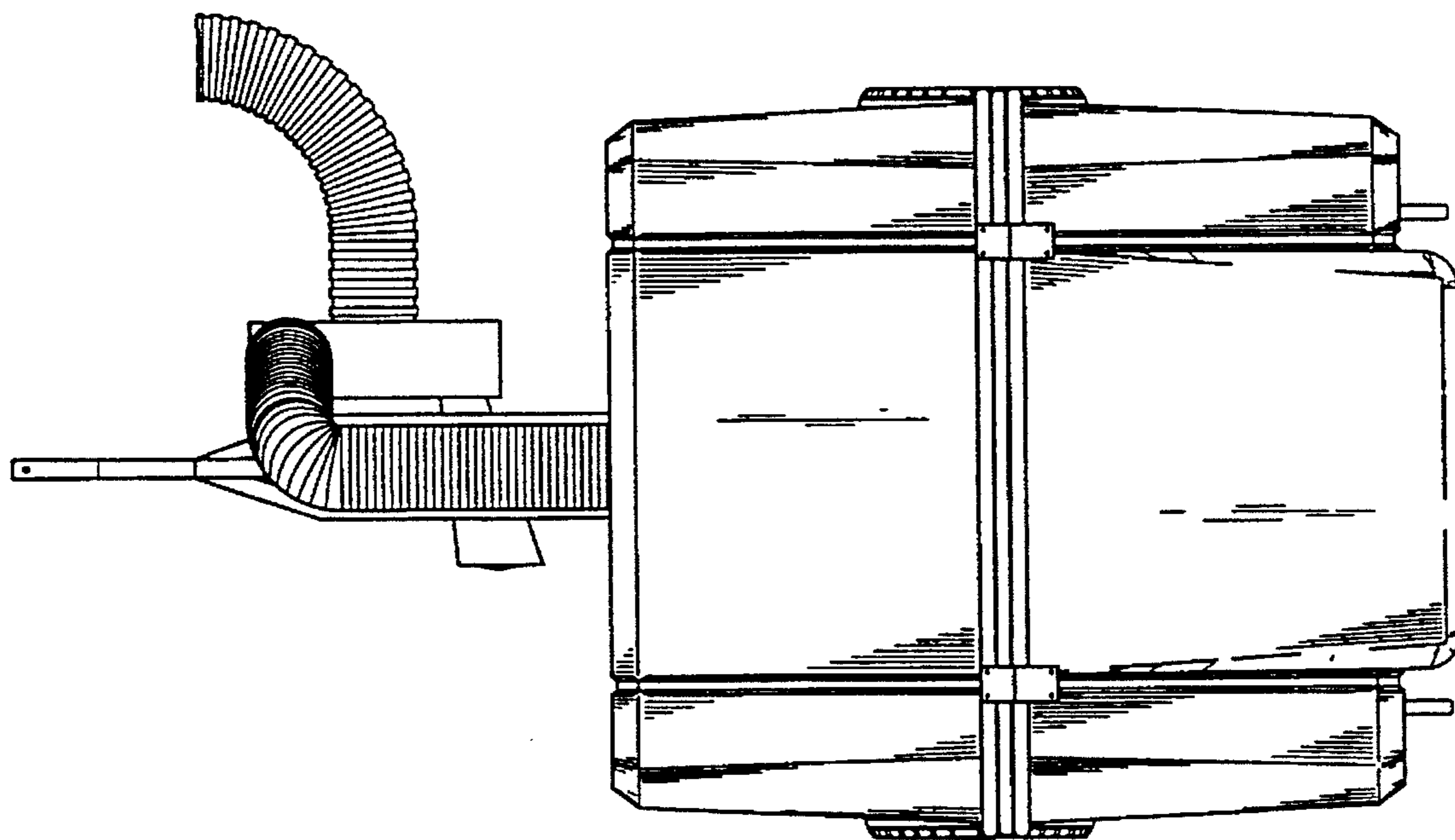


Fig. 5

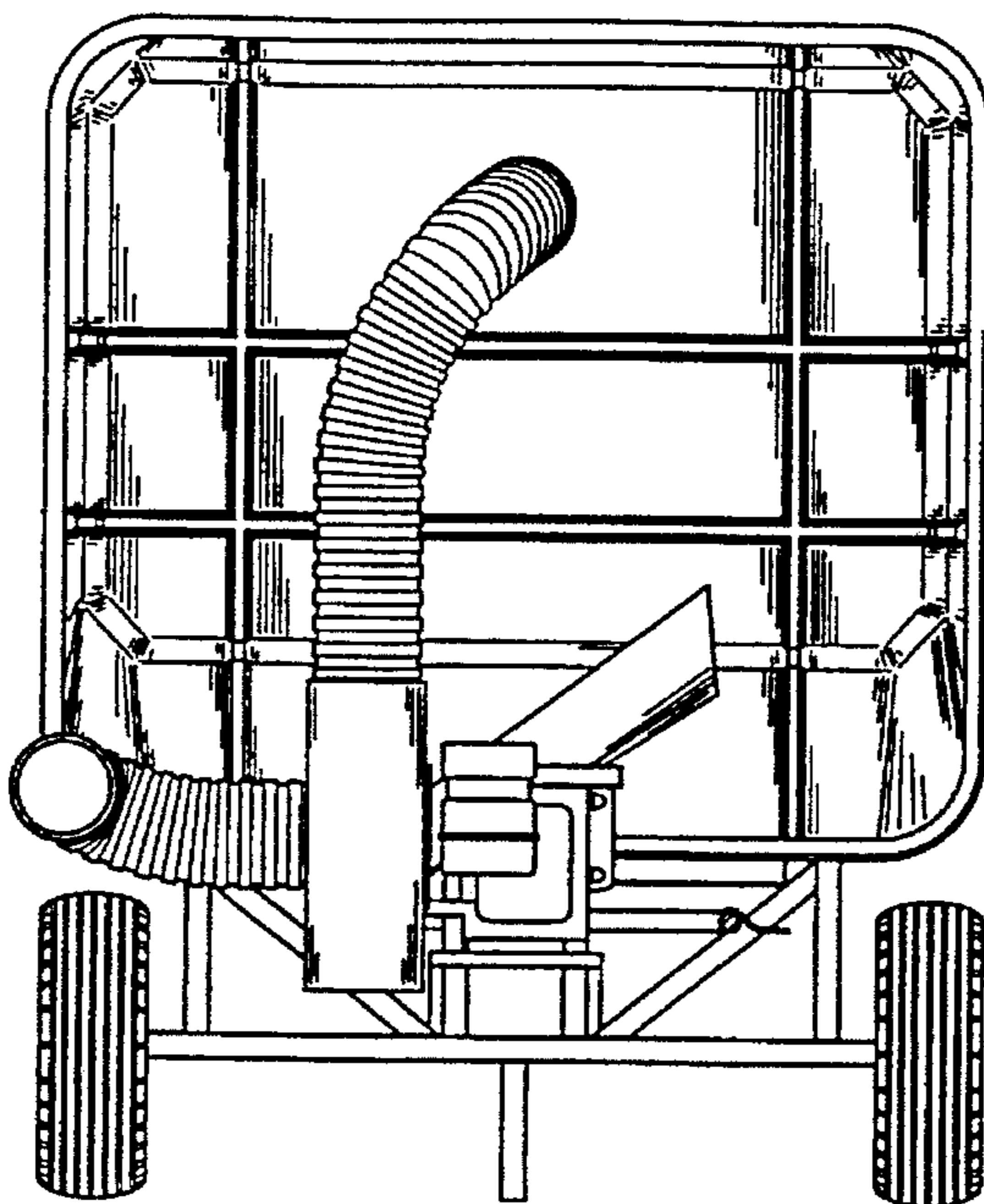


Fig. 6

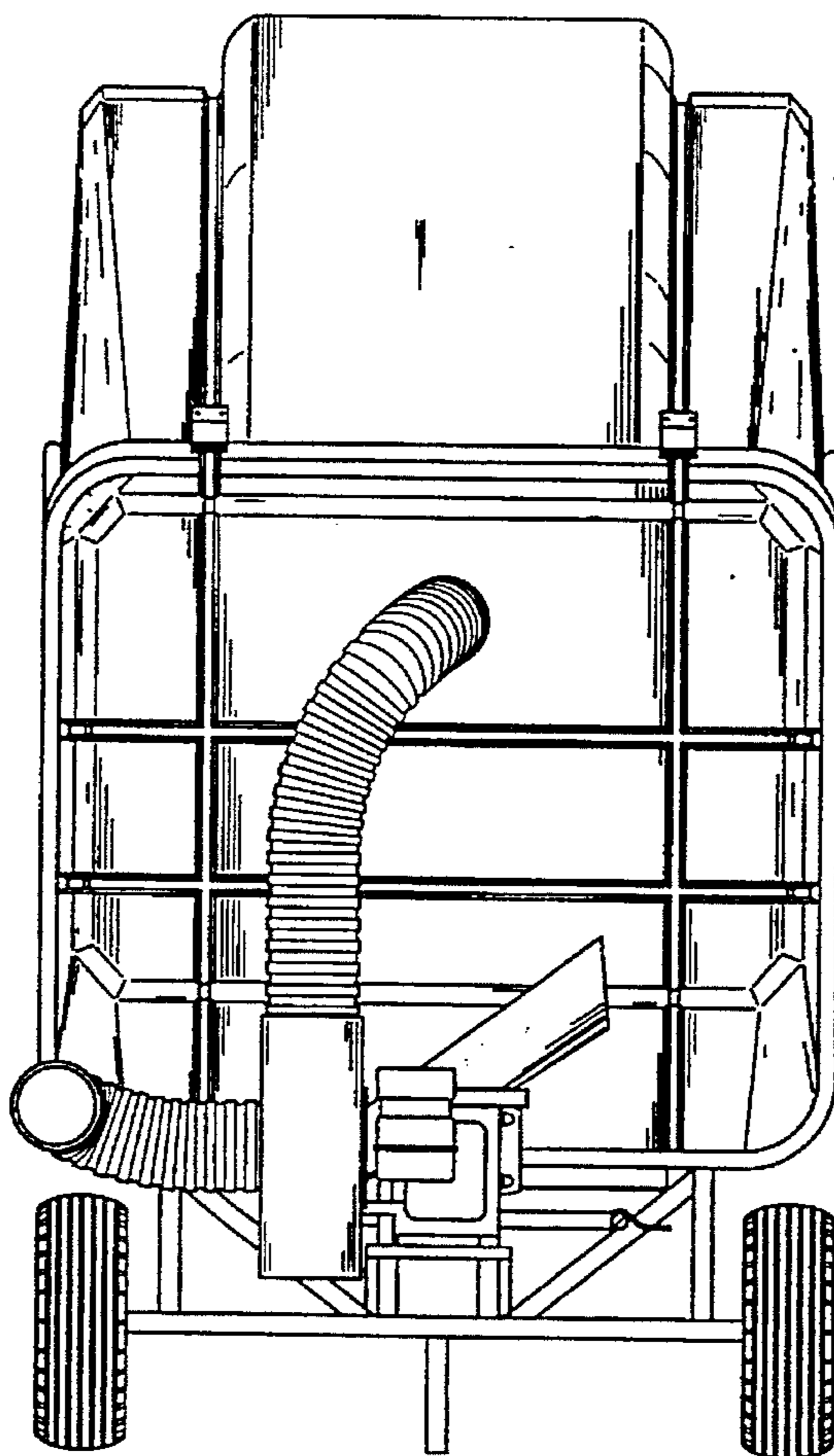


Fig. 10