



US00D378291S

**United States Patent** [19]  
**Hahn**

[11] **Patent Number:** **Des. 378,291**  
[45] **Date of Patent:** **\*\*Mar. 4, 1997**

[54] **INTERCHANGEABLE PLUG DEVICE**

4,776,814	10/1988	Geurts .....	439/694
4,815,983	3/1989	Erickson et al. ....	439/173
5,106,317	4/1992	Taylor .....	439/173
5,324,214	6/1994	De Castro .....	439/621

[75] Inventor: **Stan S. Hahn**, Moraga, Calif.

[73] Assignee: **Asian Micro Sources, Inc.**, Moraga, Calif.

[\*\*] Term: **14 Years**

*Primary Examiner*—Joel Sincavage  
*Attorney, Agent, or Firm*—Adam H. Tachner; Crosby, Heafey, Roach & May

[21] Appl. No.: **55,909**

[57] **CLAIM**

[22] Filed: **Jun. 17, 1996**

The ornamental design for an interchangeable plug device, as shown and described.

**Related U.S. Application Data**

**DESCRIPTION**

[62] Division of Ser. No. 44,048, Sep. 15, 1995.  
[52] **U.S. Cl.** ..... **D13/143**; D13/146  
[58] **Field of Search** ..... D13/133, 138, D13/143, 146; 439/171, 172, 173, 221

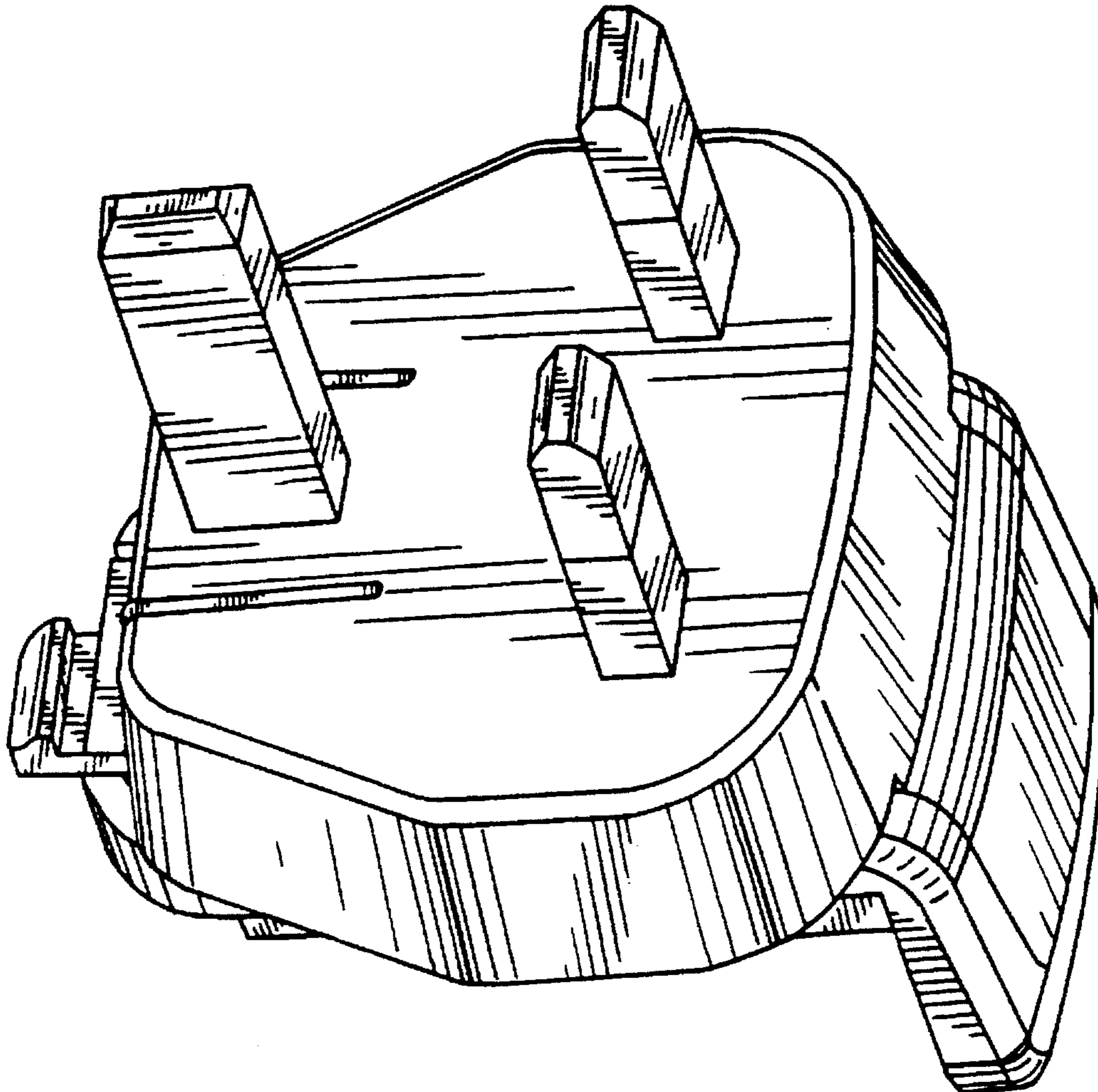
FIG. 1 is a top view of the present invention;  
FIG. 2 is a bottom view thereof;  
FIG. 3 is a front view thereof;  
FIG. 4 is a rear view thereof;  
FIG. 5 is a right side view thereof;  
FIG. 6 is a left side view thereof;  
FIG. 7 is a front and upper right perspective view thereof;  
and,  
FIG. 8 is a rear and left side perspective view thereof.

[56] **References Cited**

**U.S. PATENT DOCUMENTS**

D. 292,700 11/1987 Rauch ..... D13/139  
4,571,717 2/1986 Reichel et al. .... 369/256

**1 Claim, 4 Drawing Sheets**



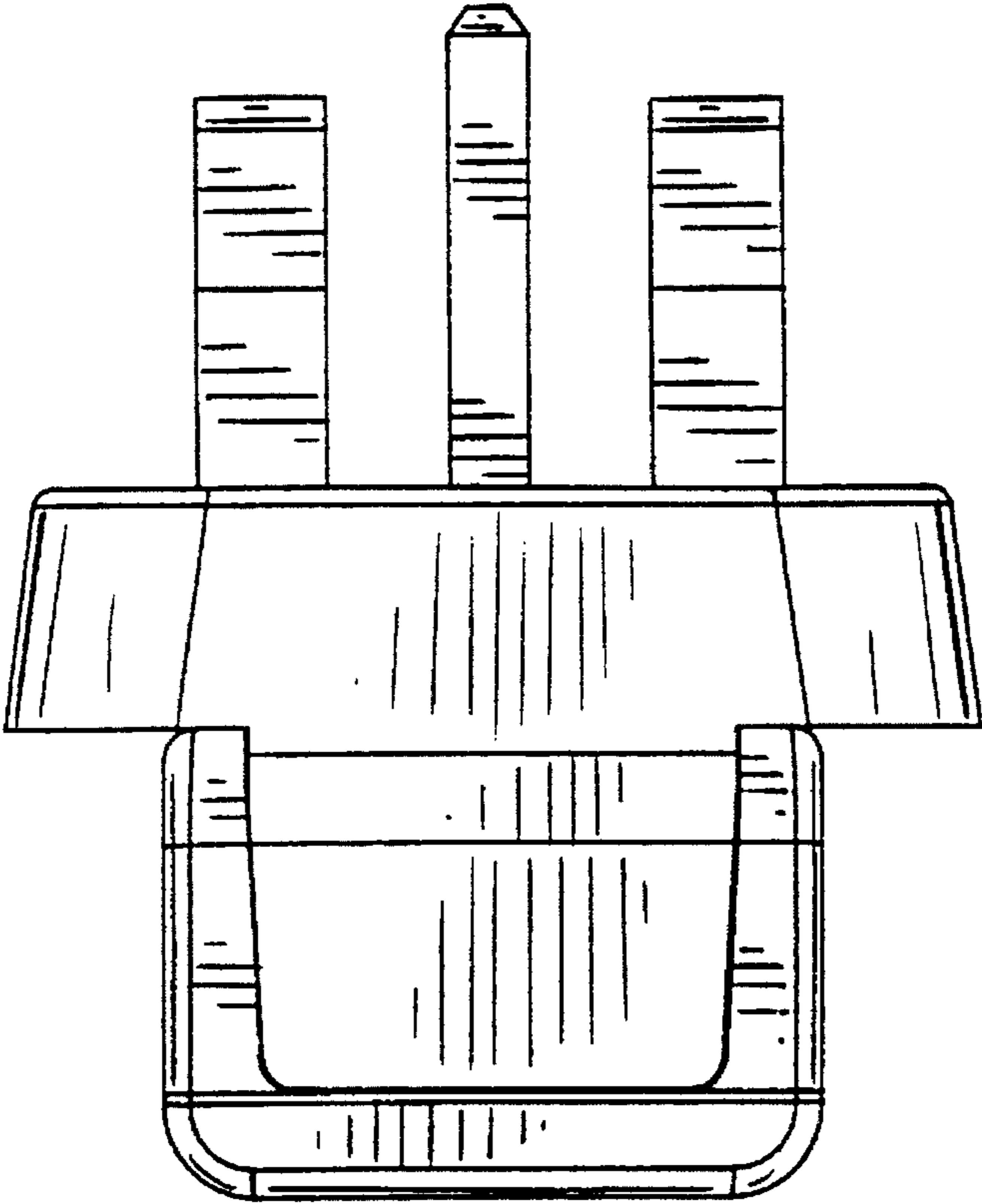


FIG. 1

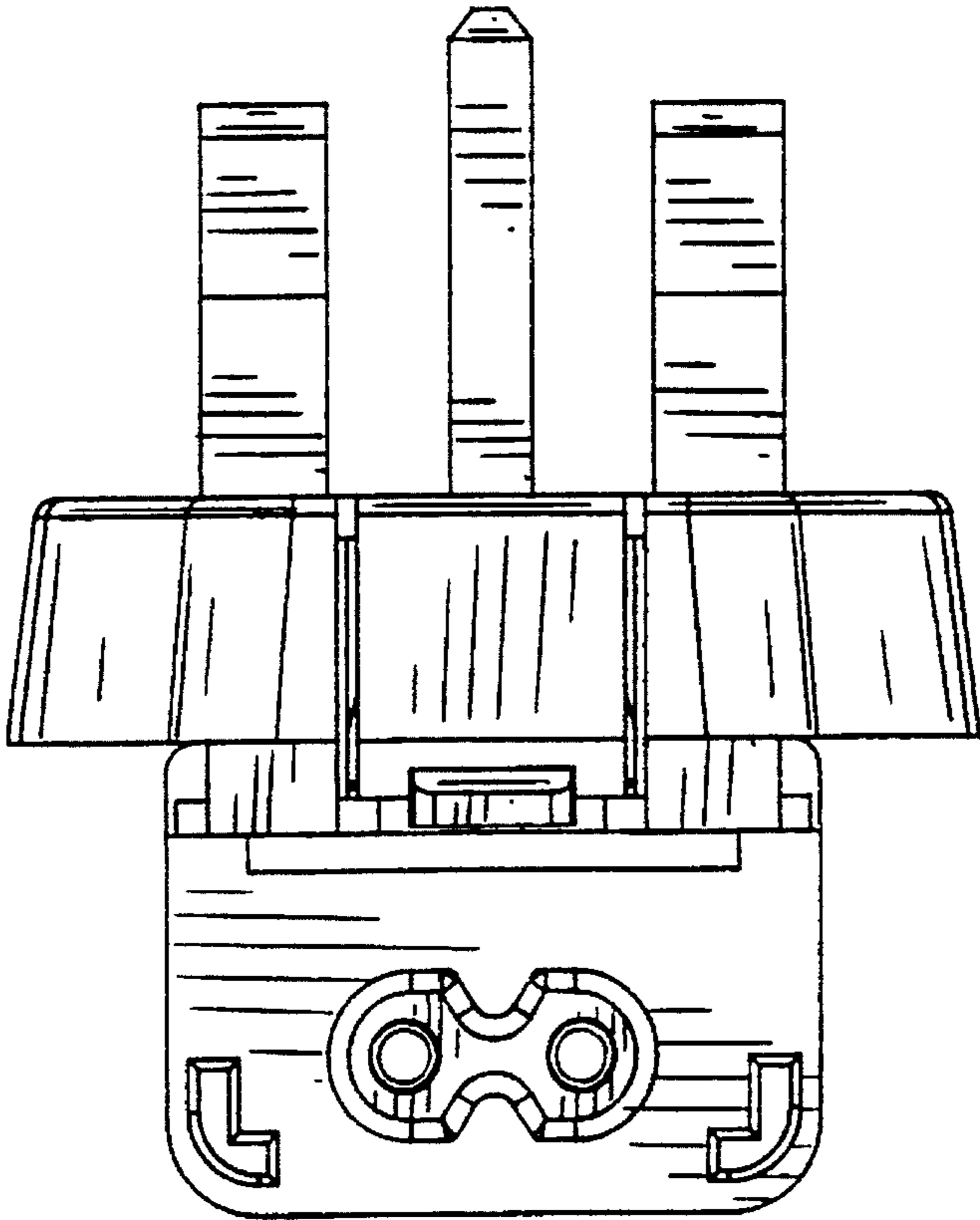


FIG. 2

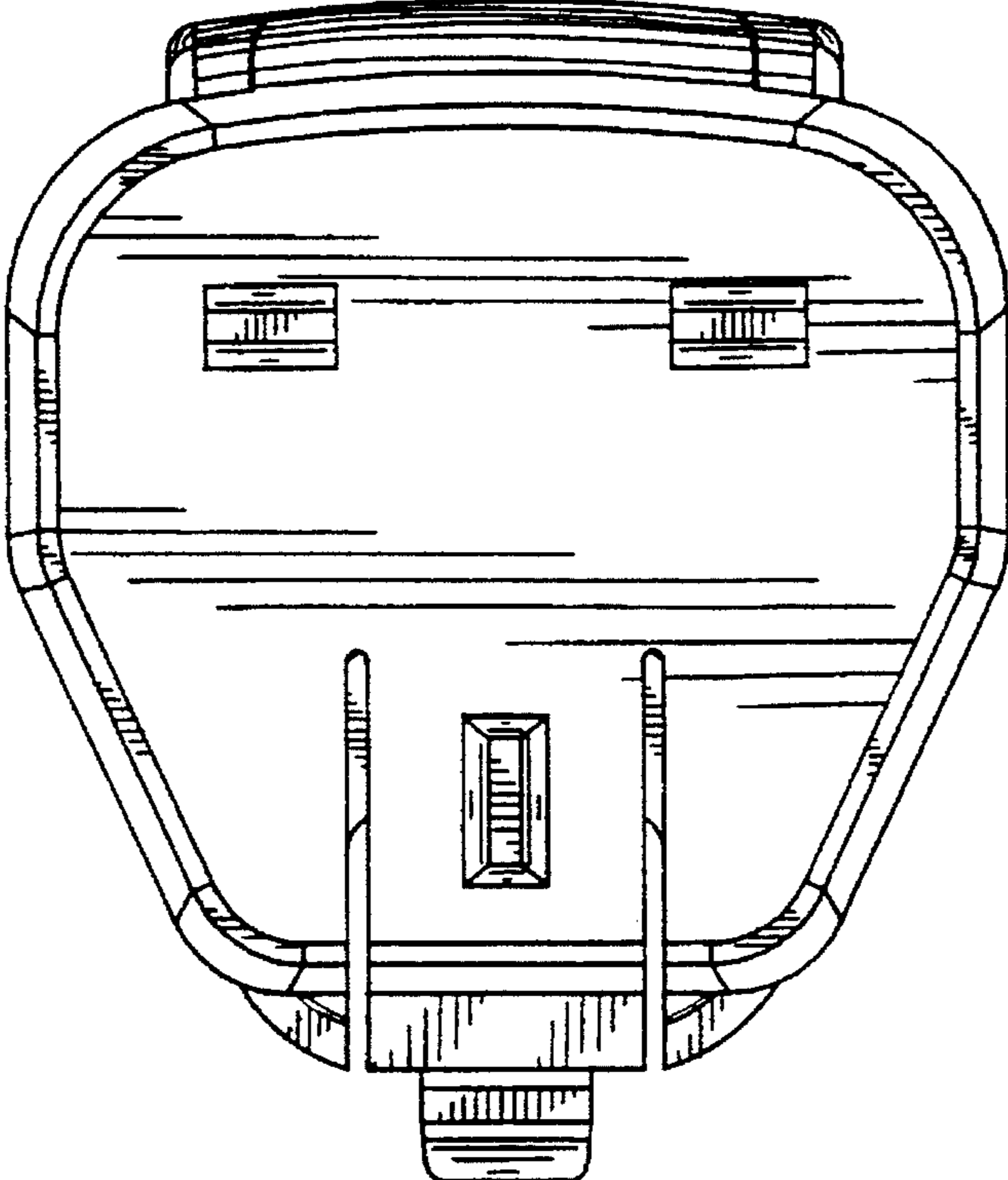


FIG. 3

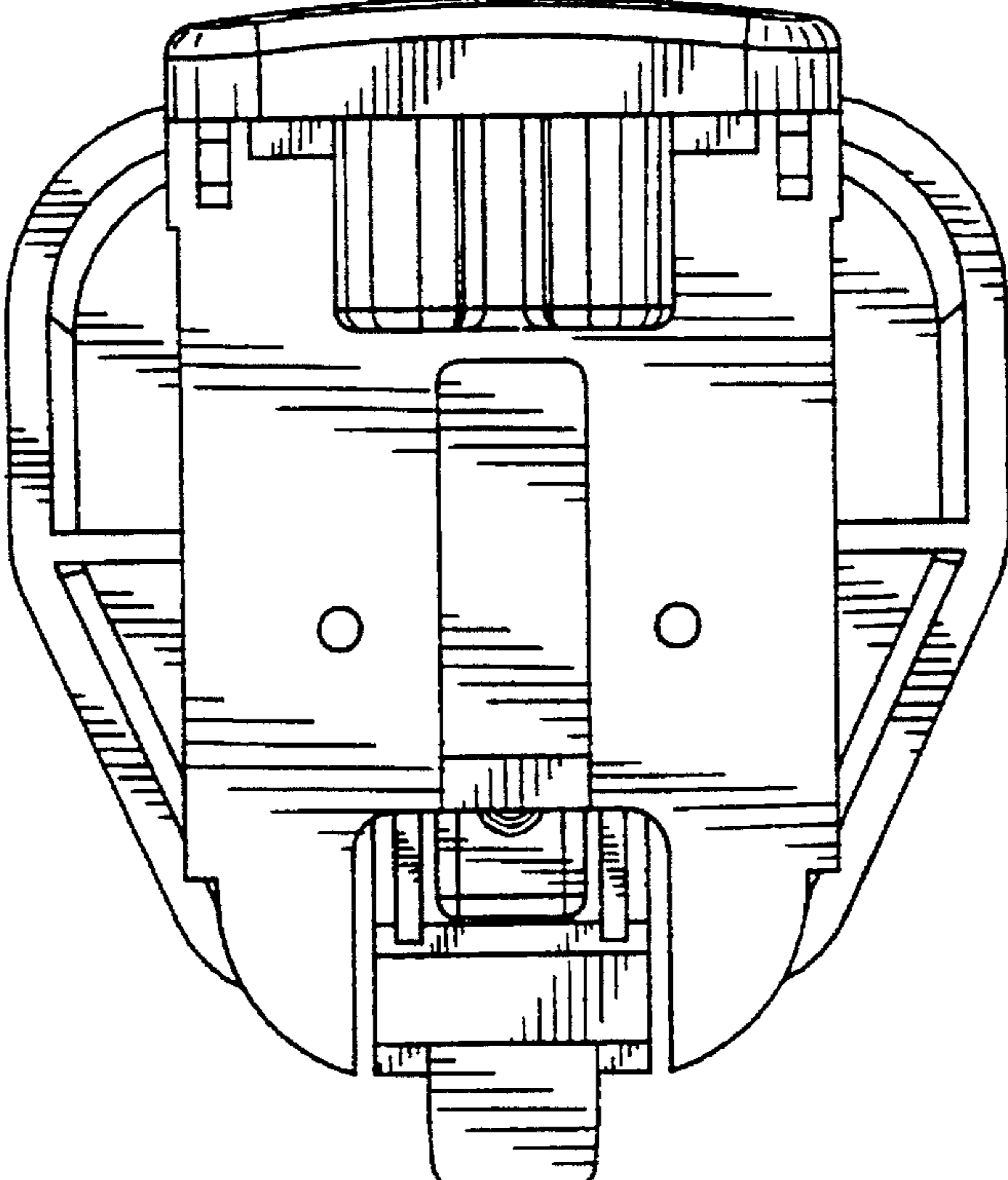


FIG. 4

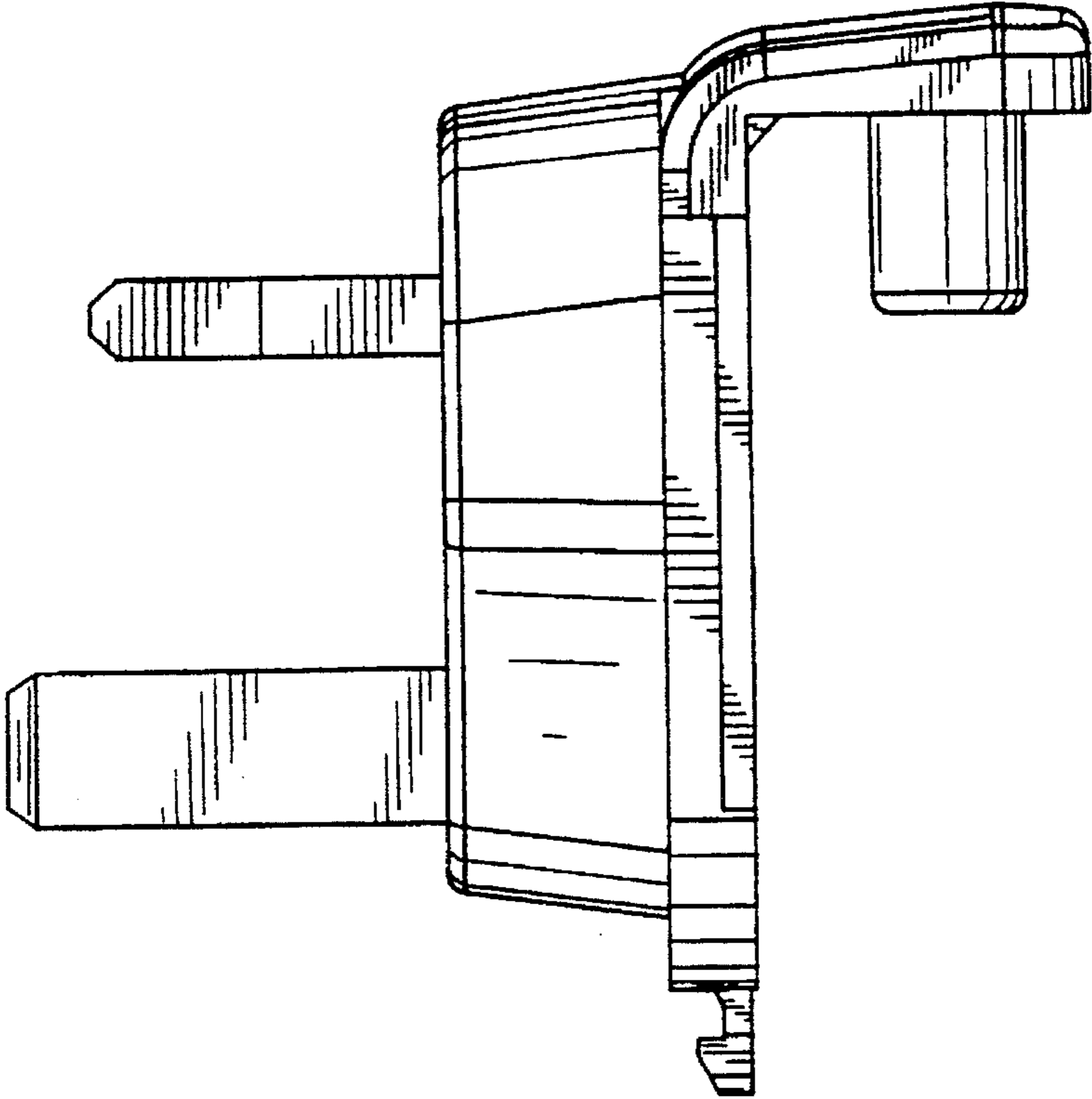


FIG. 5

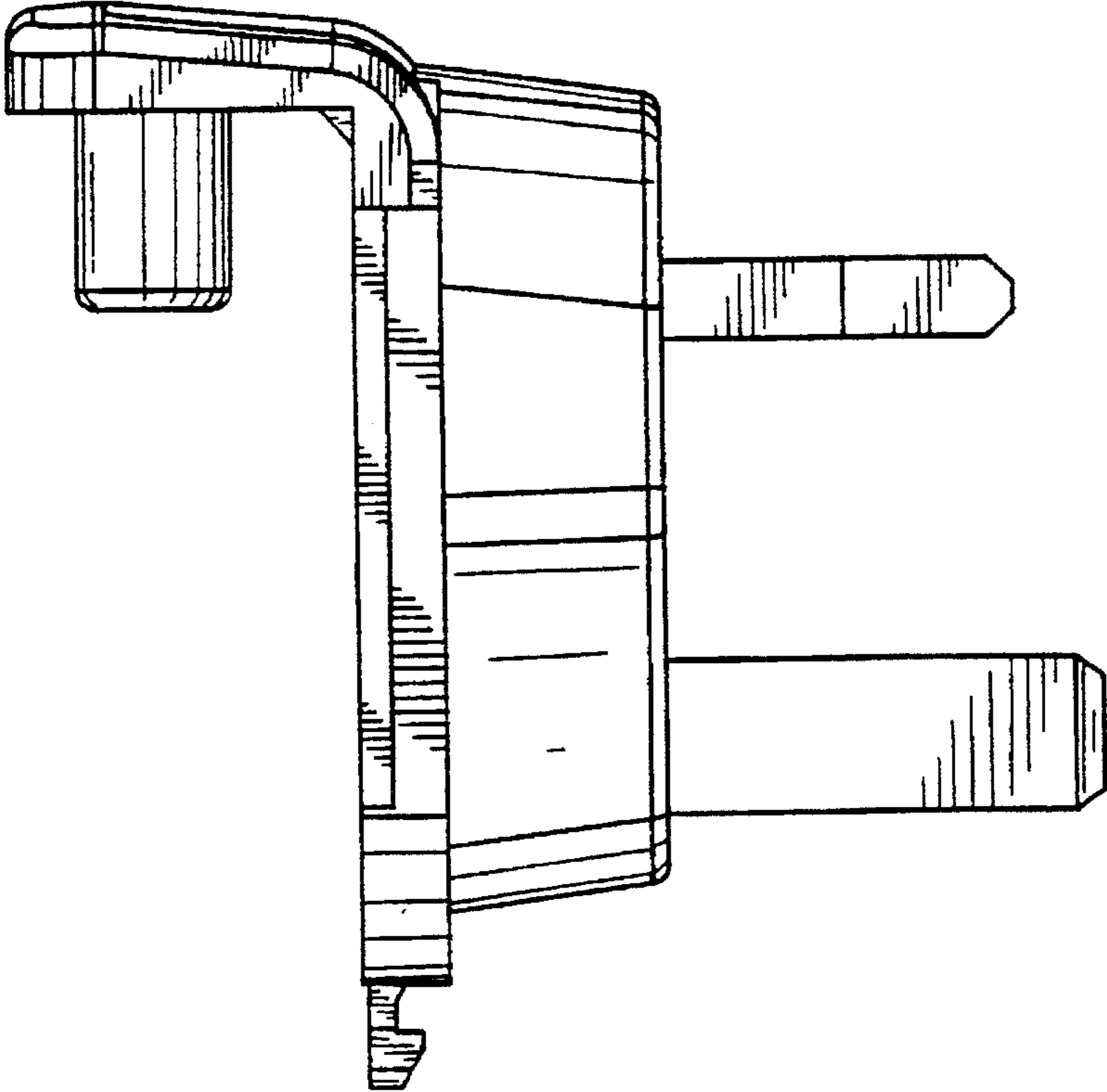


FIG. 6



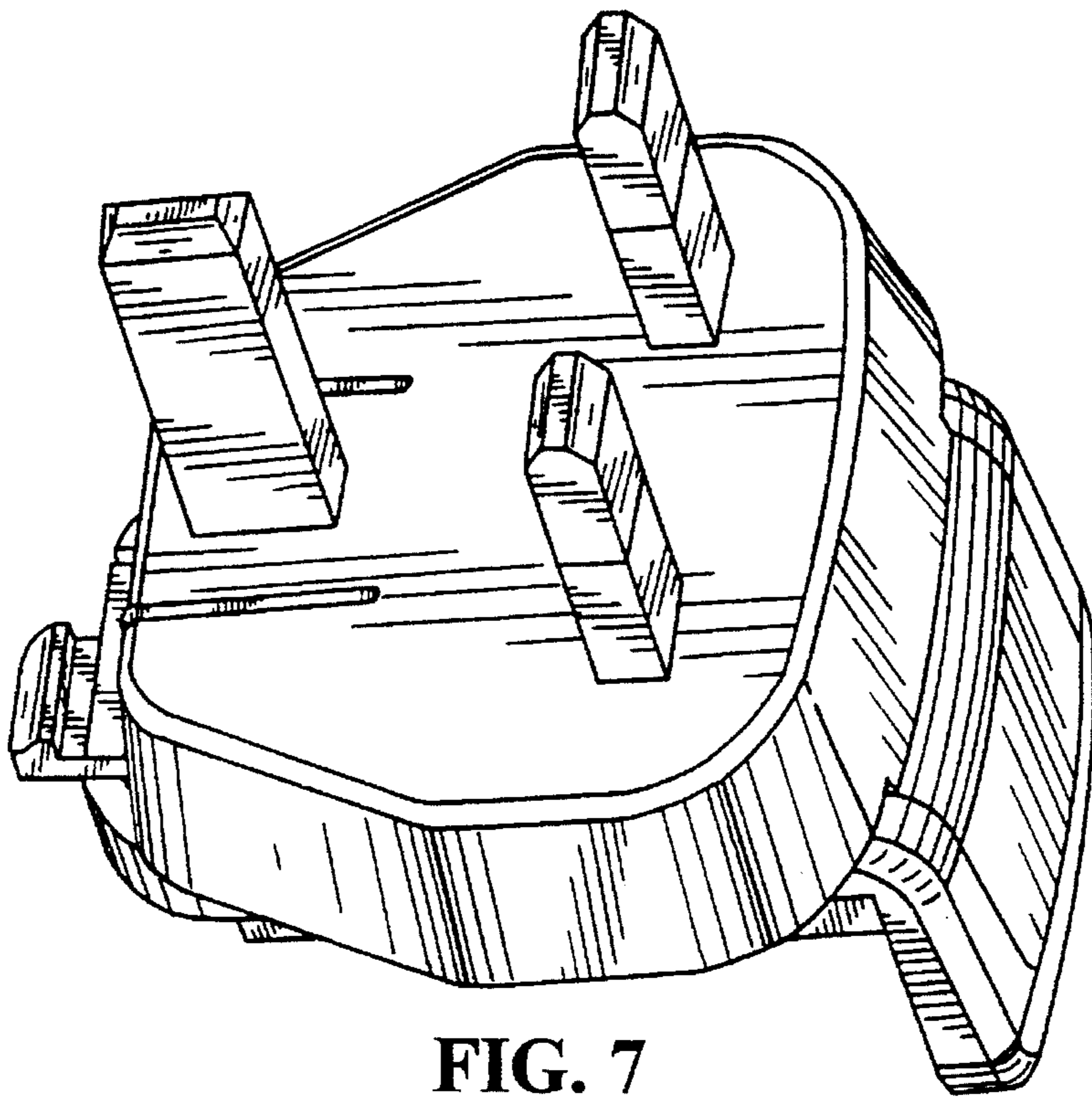


FIG. 7

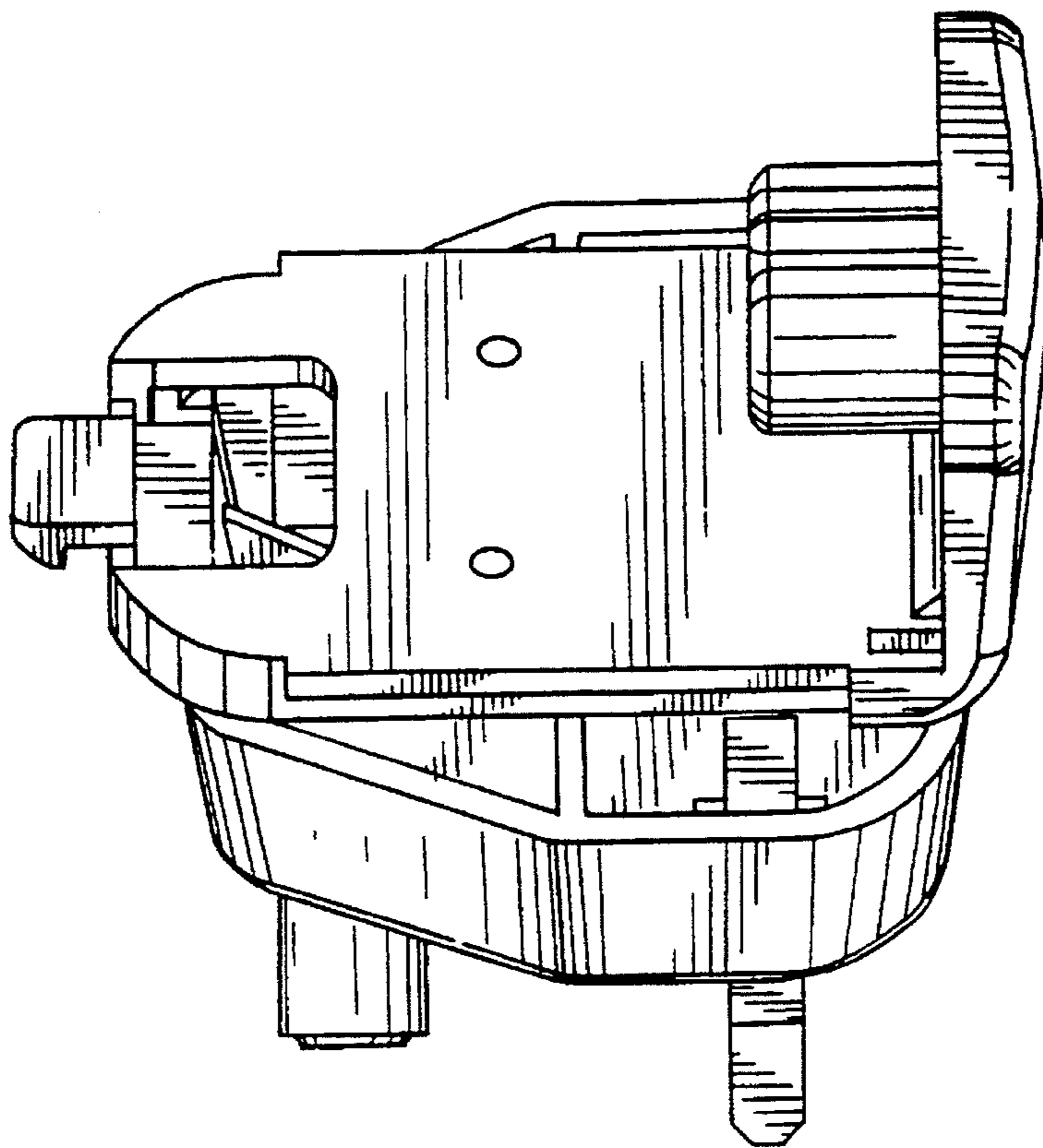


FIG. 8