



US00D378282S

# United States Patent [19] Hartwein

[11] Patent Number: **Des. 378,282**

[45] Date of Patent: **\*\*Mar. 4, 1997**

[54] **THERMOMETER**

[75] Inventor: **Peter Hartwein**, Kronberg, Germany

[73] Assignee: **Braun Aktiengesellschaft**, Kronberg, Germany

[\*\*] Term: **14 Years**

[21] Appl. No.: **49,725**

[22] Filed: **Jan. 30, 1996**

[30] **Foreign Application Priority Data**

Jul. 31, 1995 [DE] Germany ..... M 95 06024.3

[52] **U.S. Cl.** ..... **D10/57**

[58] **Field of Search** ..... D10/57; 128/664, 128/736; 374/130-132, 158, 170, 208

[56] **References Cited**

### U.S. PATENT DOCUMENTS

D. 236,254	8/1975	Ray	.....	D10/57
D. 330,681	11/1992	Yamada et al.	.....	D10/57
D. 337,954	8/1993	Makita et al.	.....	D10/57
D. 338,163	8/1993	Atsumi et al.	.....	D10/57

5,159,936	11/1992	Yelderman et al.	.....	128/736
5,167,235	12/1992	Seacord et al.	.....	128/664
5,445,158	8/1995	Pompei	.....	128/664
5,487,607	1/1996	Makita et al.	.....	374/158

*Primary Examiner*—Antoine Duval Davis  
*Attorney, Agent, or Firm*—Fish & Richardson, P.C.

[57] **CLAIM**

The ornamental design for a thermometer, as shown and described.

### DESCRIPTION

FIG. 1 is a perspective right-side front elevational view of a thermometer, showing my design;  
FIG. 2 is a front view of the appliance of FIG. 1;  
FIG. 3 is a right-side view of the appliance of FIG. 2;  
FIG. 4 is a left-side view of the appliance of FIG. 2;  
FIG. 5 is a rear view of the appliance of FIG. 2;  
FIG. 6 is a top plan view of the appliance of FIG. 2; and,  
FIG. 7 is a bottom plan view of the appliance of FIG. 2. and,  
FIG. 8 is a perspective right-side front elevational view in the operating position of the thermometer.

**1 Claim, 4 Drawing Sheets**

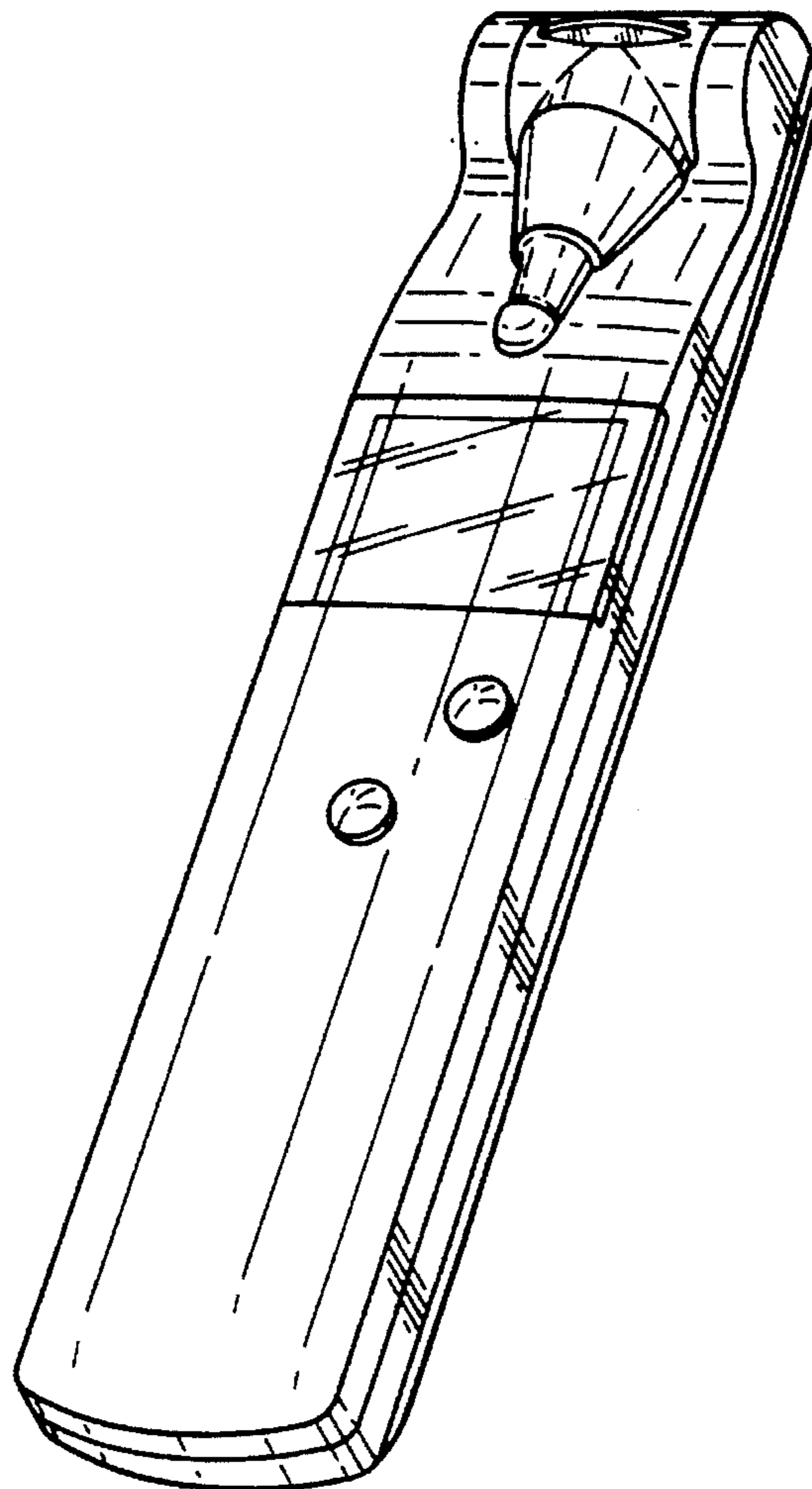
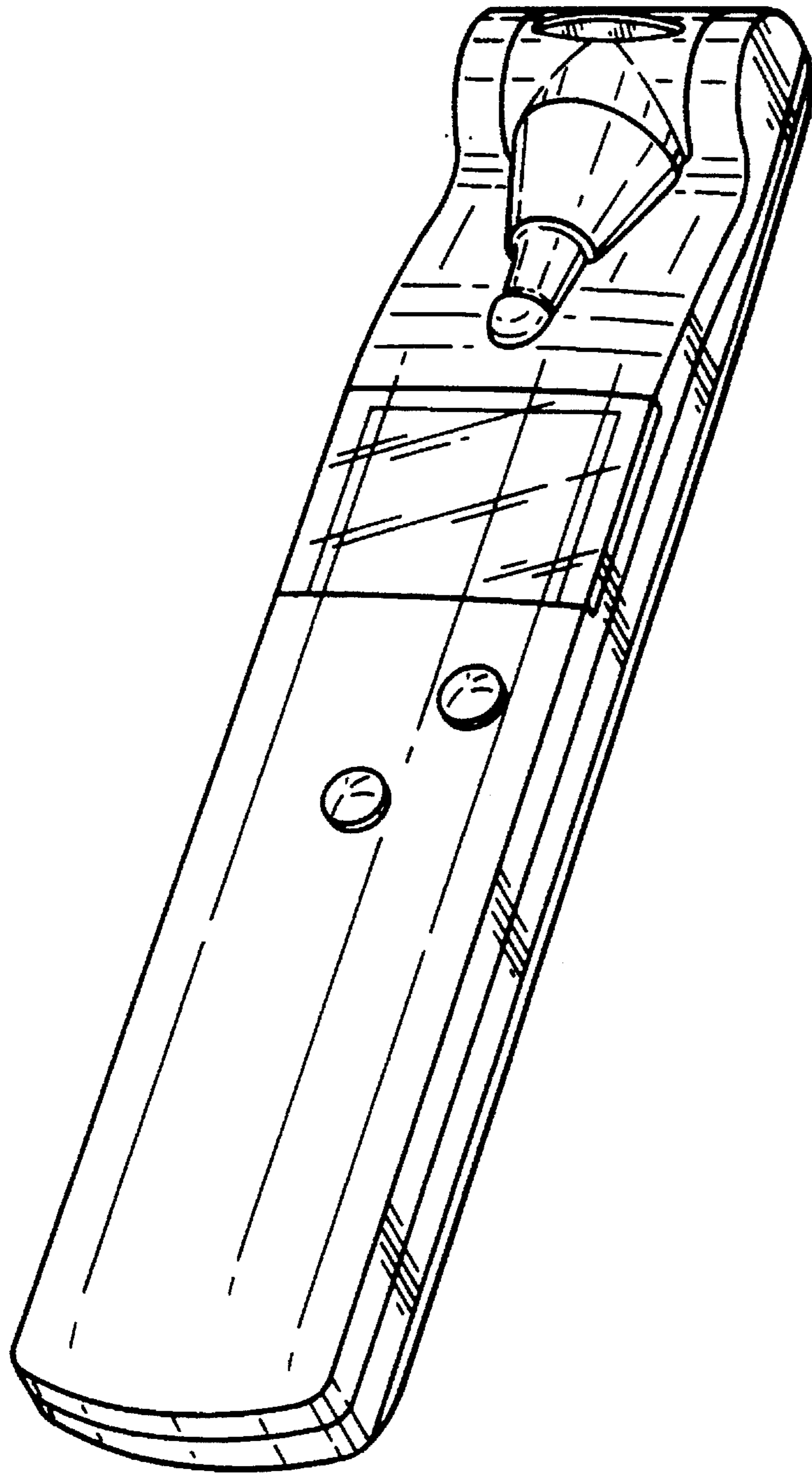


Fig. 1



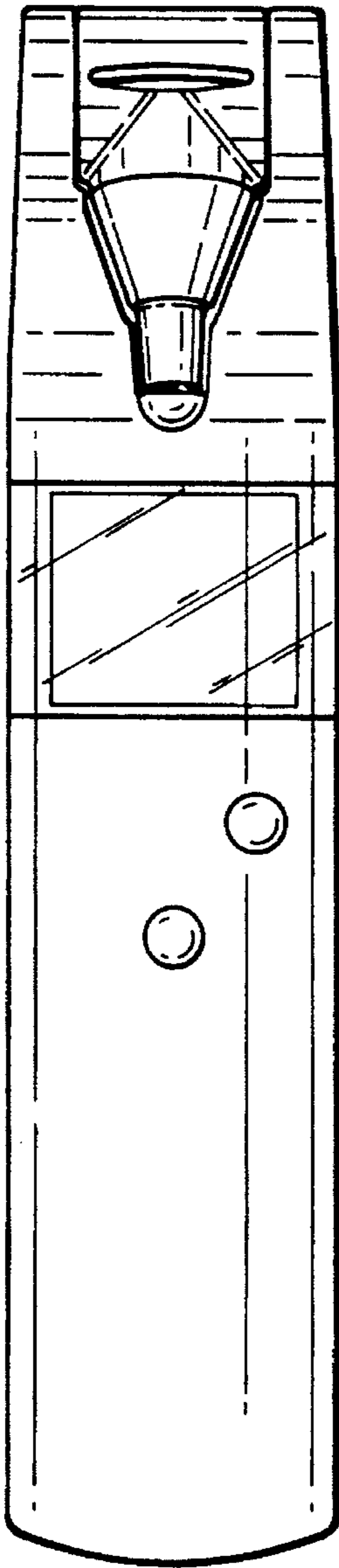


Fig. 2

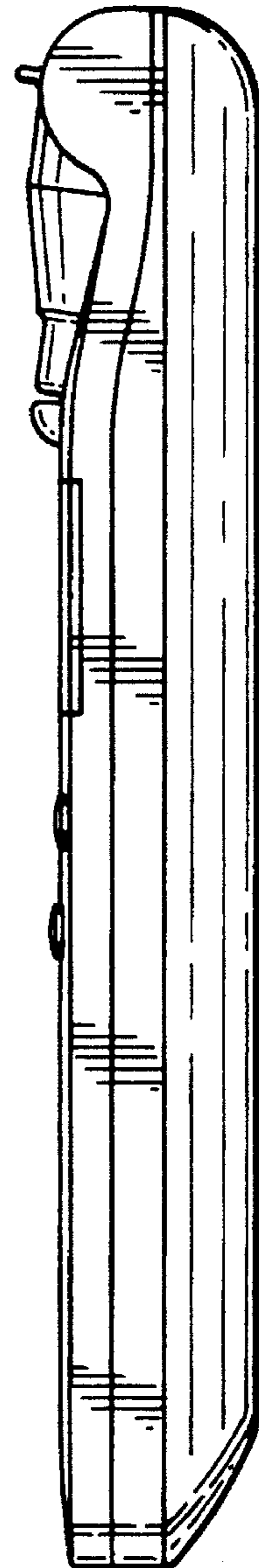


Fig. 3

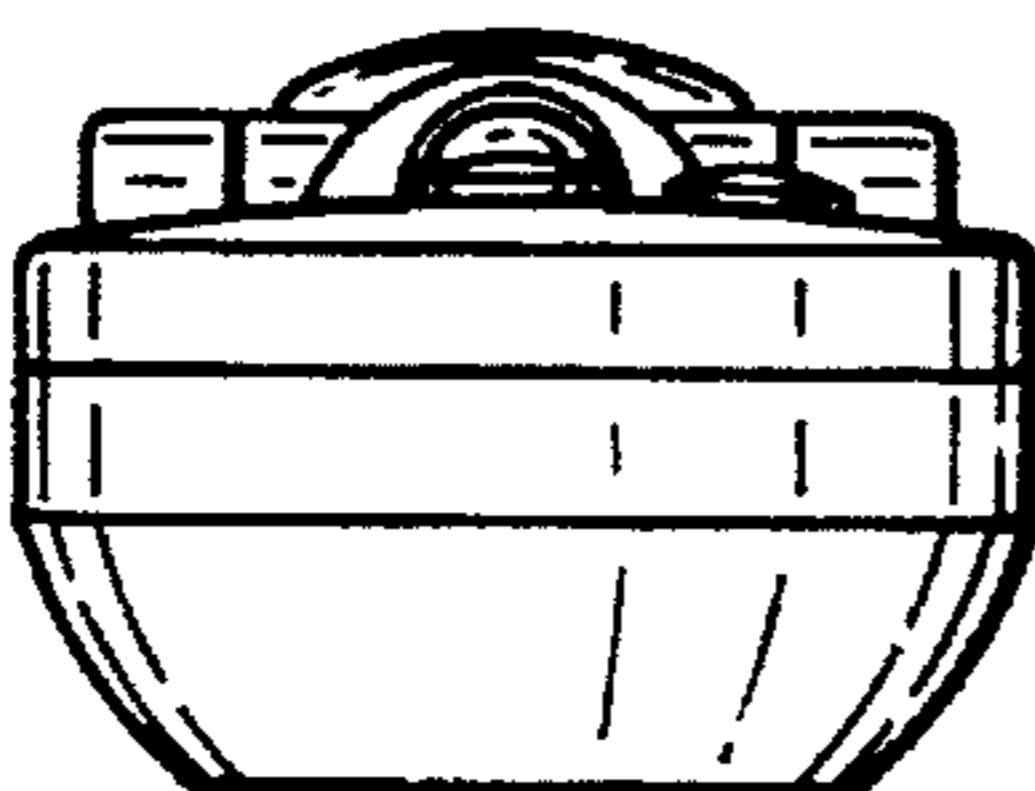


Fig. 7

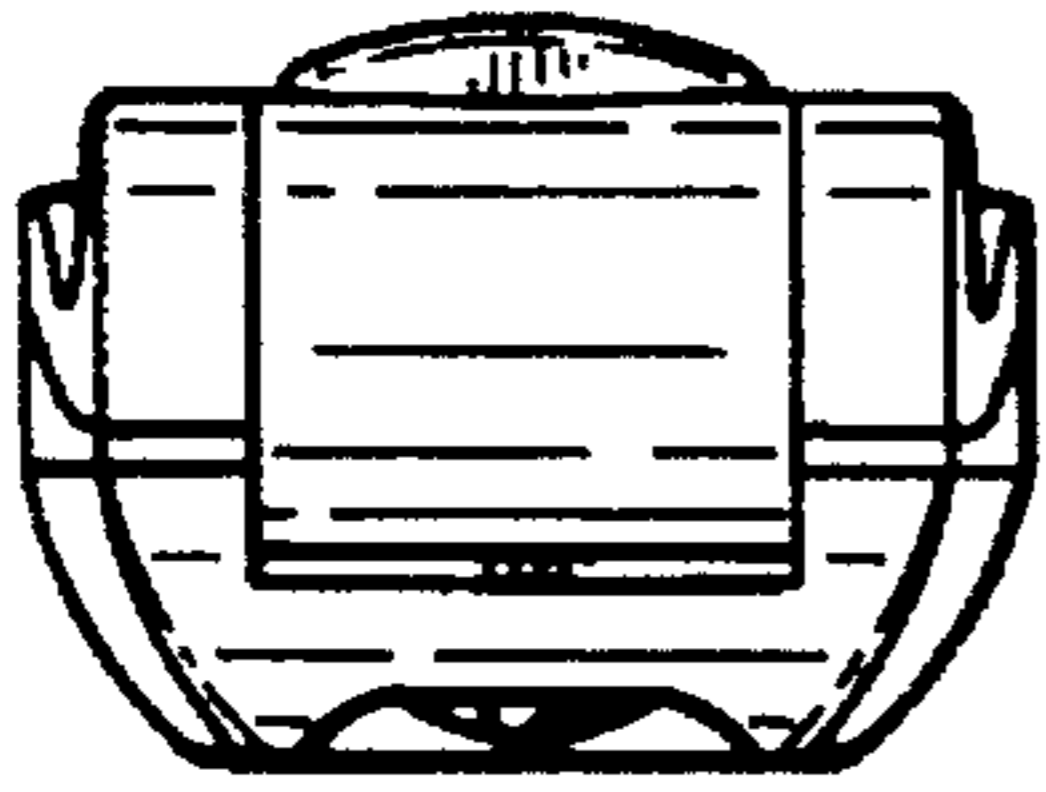


Fig. 6

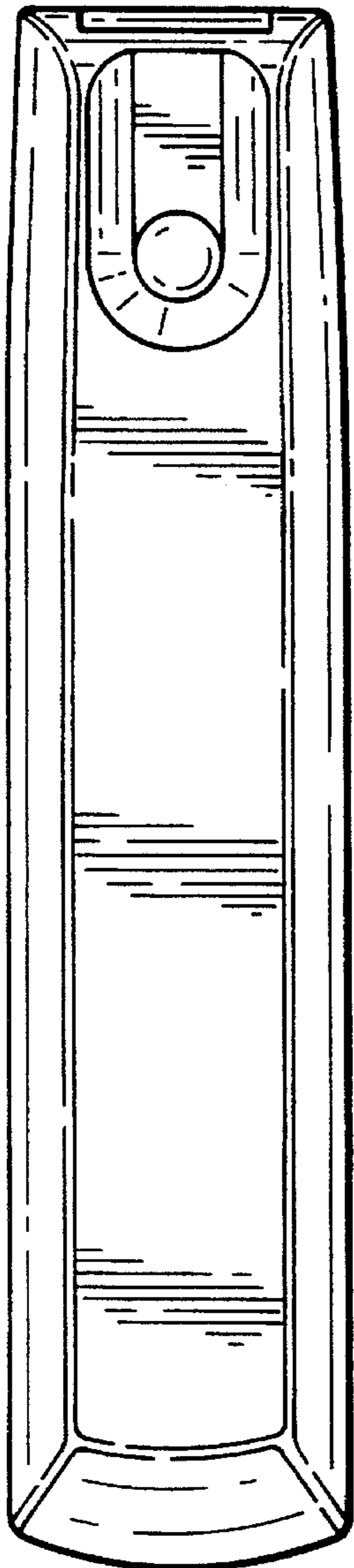


Fig. 5

Fig. 4

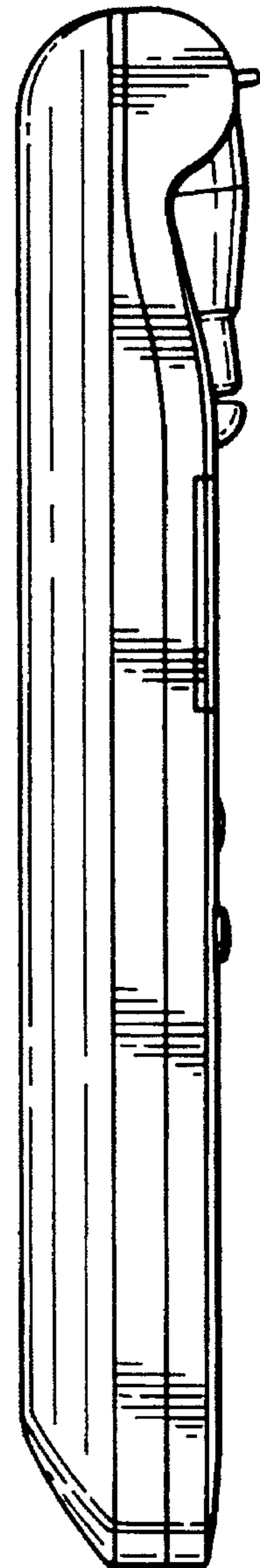


Fig. 8

