



US00D378280S

United States Patent [19]

Furr et al.

[11] Patent Number: **Des. 378,280**

[45] Date of Patent: ****Mar. 4, 1997**

[54] **GAME SCORING BOARD**

[76] Inventors: **Michael A. Furr**, 129 W. Wilson, Ste. 203, Costa Mesa, Calif. 92627; **Haleem A. Williams**, 2959 Plaza Leonardo, Bonita, Calif. 91902

[**] Term: **14 Years**

[21] Appl. No.: **47,967**

[22] Filed: **Dec. 18, 1995**

[52] U.S. Cl. **D10/46.1**

[58] Field of Search D10/46.1; D6/405, D6/406, 404; 116/222-225; 273/148 A, 148 R

[56] **References Cited**

U.S. PATENT DOCUMENTS

D. 177,212	3/1956	Brunot	D10/46.1
D. 205,362	7/1966	Graham	D10/46.1
D. 232,447	8/1974	Van Buren	D10/46.1
D. 247,825	5/1978	Christianson	D10/46.1

D. 248,332	6/1978	Bailey et al.	D10/46.1 X
D. 330,168	10/1992	Stoian	D10/46.1
608,586	8/1898	Wallace	116/225 X
3,770,193	11/1973	Sauter	D10/46.1 X
5,385,113	1/1995	Hierath	D10/46.1 X

Primary Examiner—Prabhakar G. Deshmukh
Attorney, Agent, or Firm—William Patrick Waters

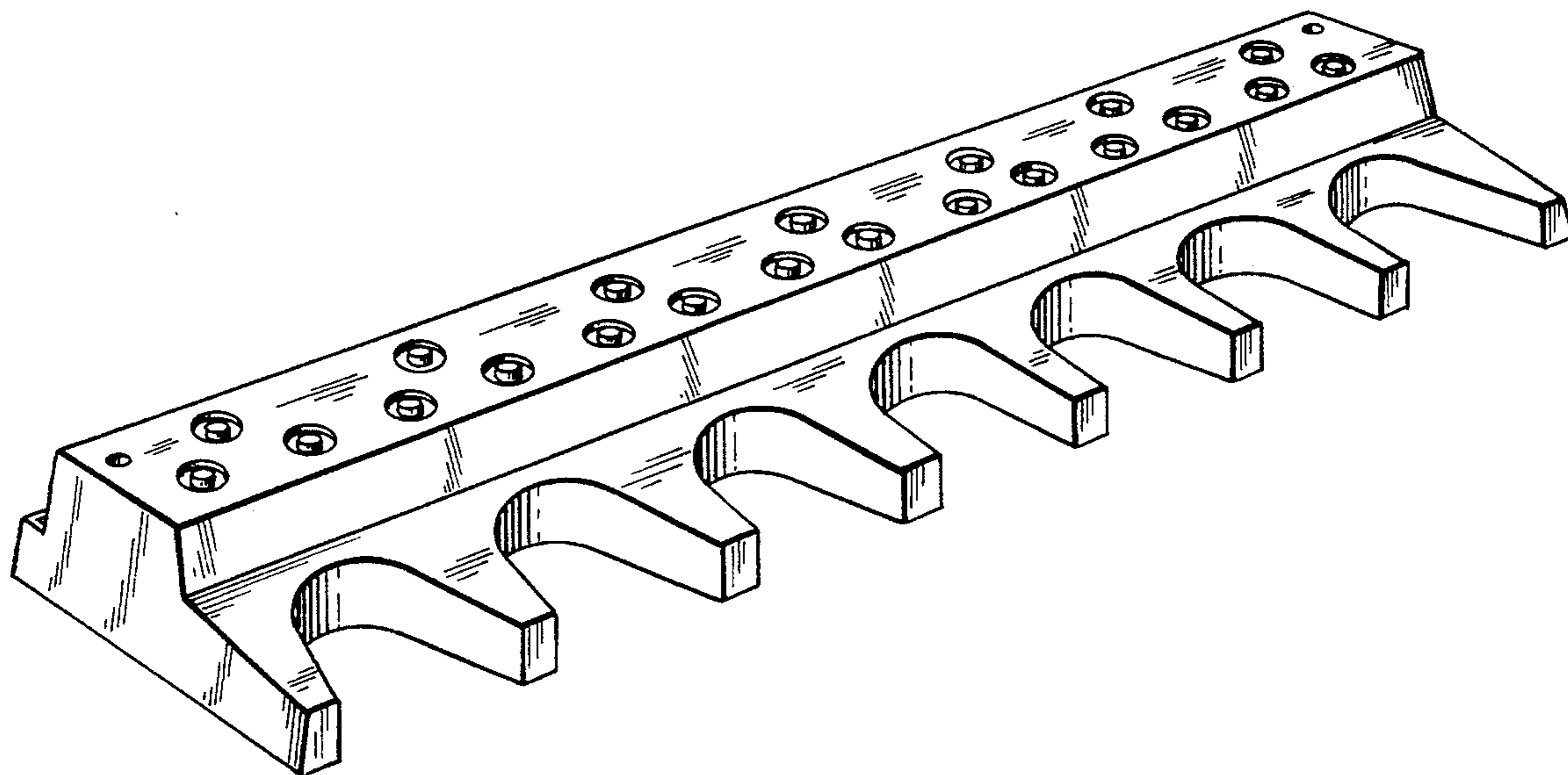
[57] **CLAIM**

The ornamental design for a game scoring board, as shown.

DESCRIPTION

FIG. 1 is a front perspective view of a game scoring board showing our new design;
FIG. 2 is a top plan view thereof;
FIG. 3 is a front view in elevation thereof;
FIG. 4 is a right side elevational view thereof;
FIG. 5 is a left side elevational view thereof;
FIG. 6 is a rear plan view thereof; and,
FIG. 7 is a bottom plan view thereof.

1 Claim, 3 Drawing Sheets



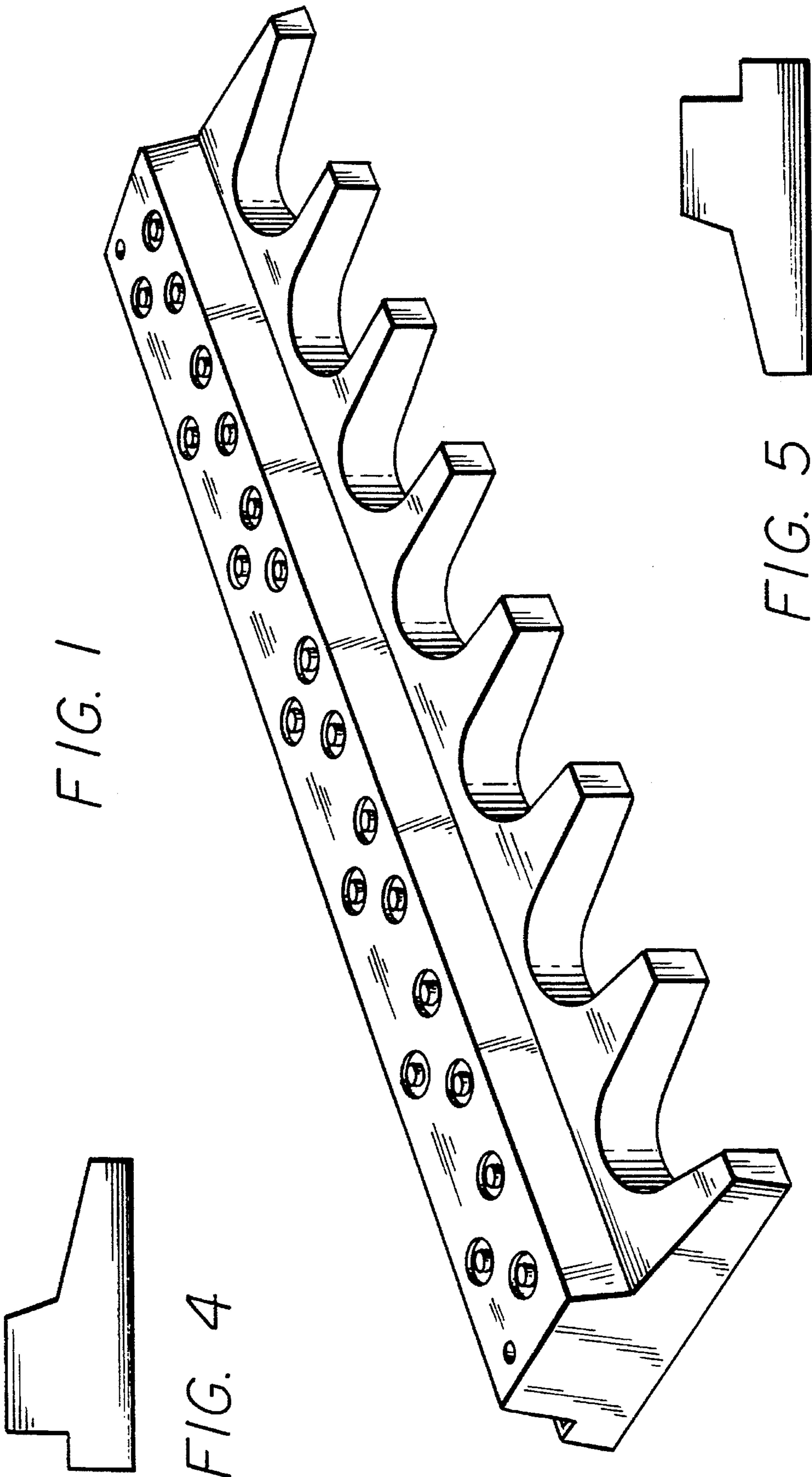


FIG. 1

FIG. 4

FIG. 5

FIG. 2

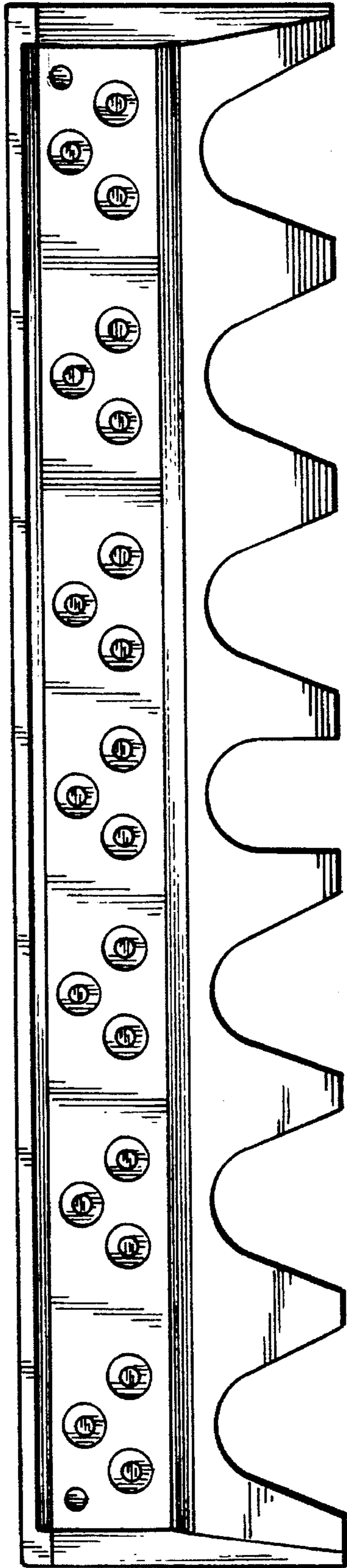


FIG. 3

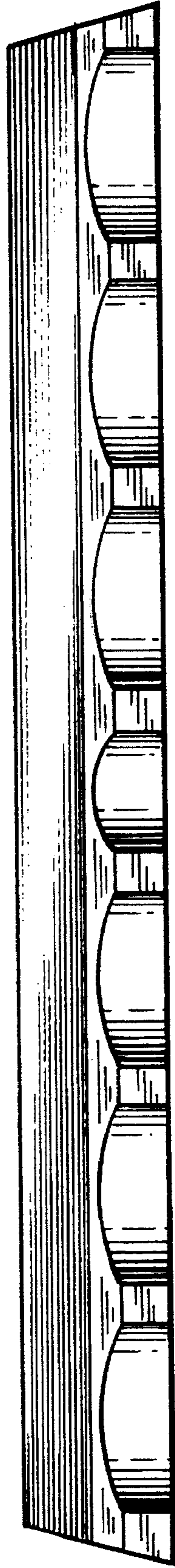


FIG. 6



FIG. 7

