



US00D378277S

United States Patent [19]

Napolitan et al.

[11] Patent Number: Des. 378,277

[45] Date of Patent: **Mar. 4, 1997

[54] FISHING REEL CLOCK

[76] Inventors: **Joseph Napolitan**, 15026 Kovats Dr., Philadelphia, Pa. 19116; **Robert Stricker**, 3336 Englewood St., Philadelphia, Pa. 19149

[**] Term: 14 Years

[21] Appl. No.: 45,318

[22] Filed: Oct. 16, 1995

[52] U.S. Cl. D10/6; D10/15; D22/140

[58] Field of Search D10/6, 15; D22/140; 368/285, 276-277, 82-84, 239-240

[56] References Cited

U.S. PATENT DOCUMENTS

D. 228,302	9/1973	Ingram	D10/6
D. 284,396	6/1986	Inuma	D22/140
D. 302,844	8/1989	Myojo	D22/140
D. 310,116	8/1990	Effinger	D22/140
D. 324,716	3/1992	Yoshikawa	D22/140
D. 359,692	6/1995	Krobatsch	D10/6
D. 365,279	12/1995	Sculatti	D10/6
4,104,862	8/1978	Yamazaki et al. .	
4,443,114	4/1984	Kumata .	
4,697,932	10/1987	Matievic .	
4,771,410	9/1988	Kolibaba et al. .	
5,050,140	9/1991	Aubert .	
5,226,021	7/1993	Dell'Olio .	
5,261,180	11/1993	Foster et al. .	

OTHER PUBLICATIONS

Advertisement, Penn Reels, Publisher-Unknown-Dated Prior to Oct. 16, 1994-1 p.

Advertisements, Single Penn Reel and Reel-Sact and Pepper Mills, Publisher Unknown. Dated Prior to Oct. 16, 1994-1 p.

Advertisements, Outer Banks Outfitters-Penn Reel, Etc. Publisher Unknown, Dated Prior to Oct. 16, 1994, 1 p.

Primary Examiner-Nelson C. Holtje
Attorney, Agent, or Firm-Richard C. Litman

[57] CLAIM

The ornamental design for a fishing reel clock, as shown and described.

DESCRIPTION

FIG. 1 is a top and right front perspective view of a fishing reel clock showing my new design;

FIG. 2 is a top plan view thereof;

FIG. 3 is a front elevational view thereof;

FIG. 4 is a right side elevational view thereof;

FIG. 5 is a left side elevational view thereof;

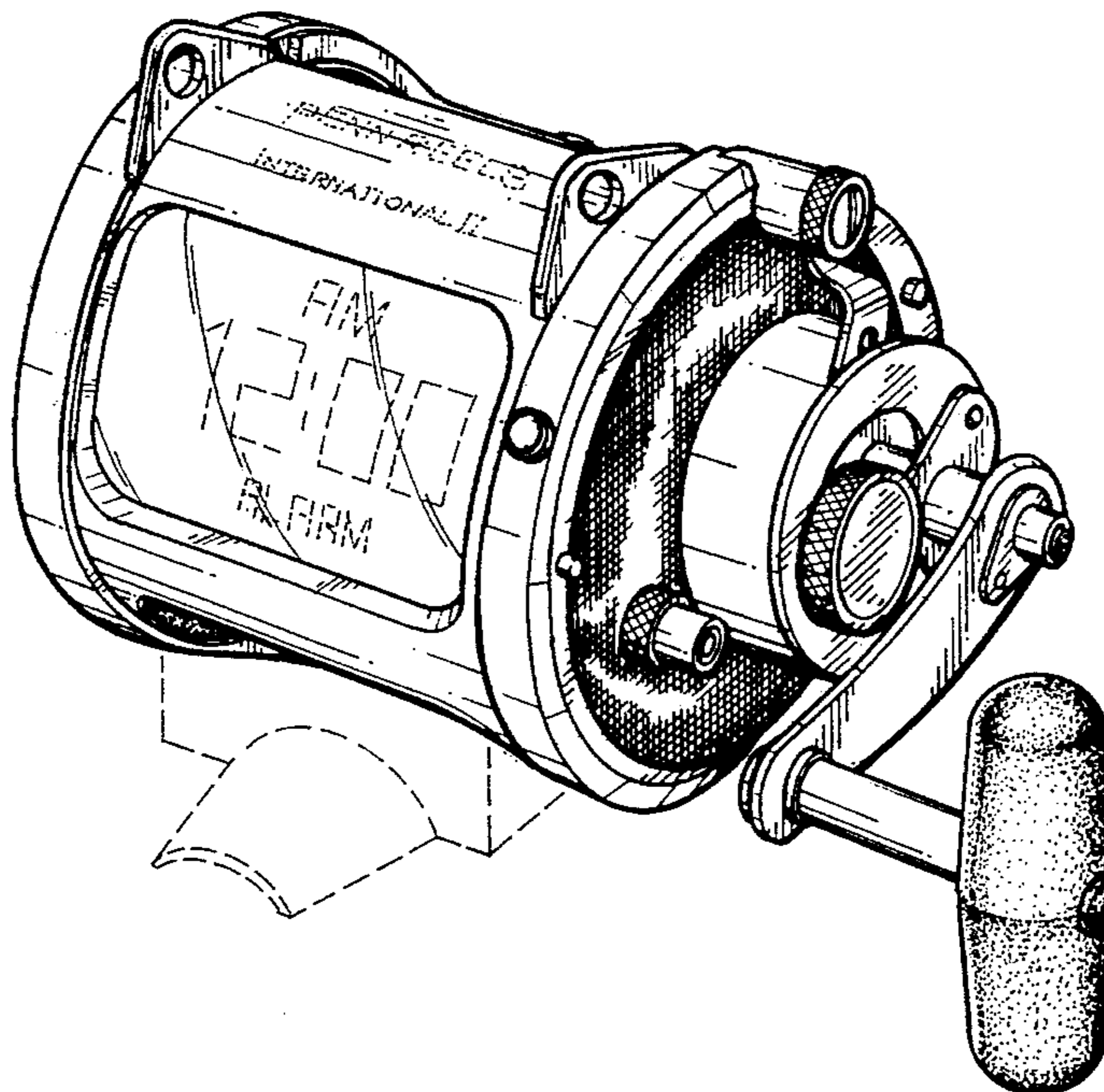
FIG. 6 is a bottom plan view thereof; and,

FIG. 7 is a rear elevational view thereof.

The broken line showing of the stand in FIGS. 1, 3, 4, and 6 for illustrative purposes, merely disclosing a feature which supports the clock, and forms no part of the claimed design.

The broken line showing of the indicia in FIGS. 1 and 3 is for illustrative purposes only and forms no part of the claimed design.

1 Claim, 4 Drawing Sheets



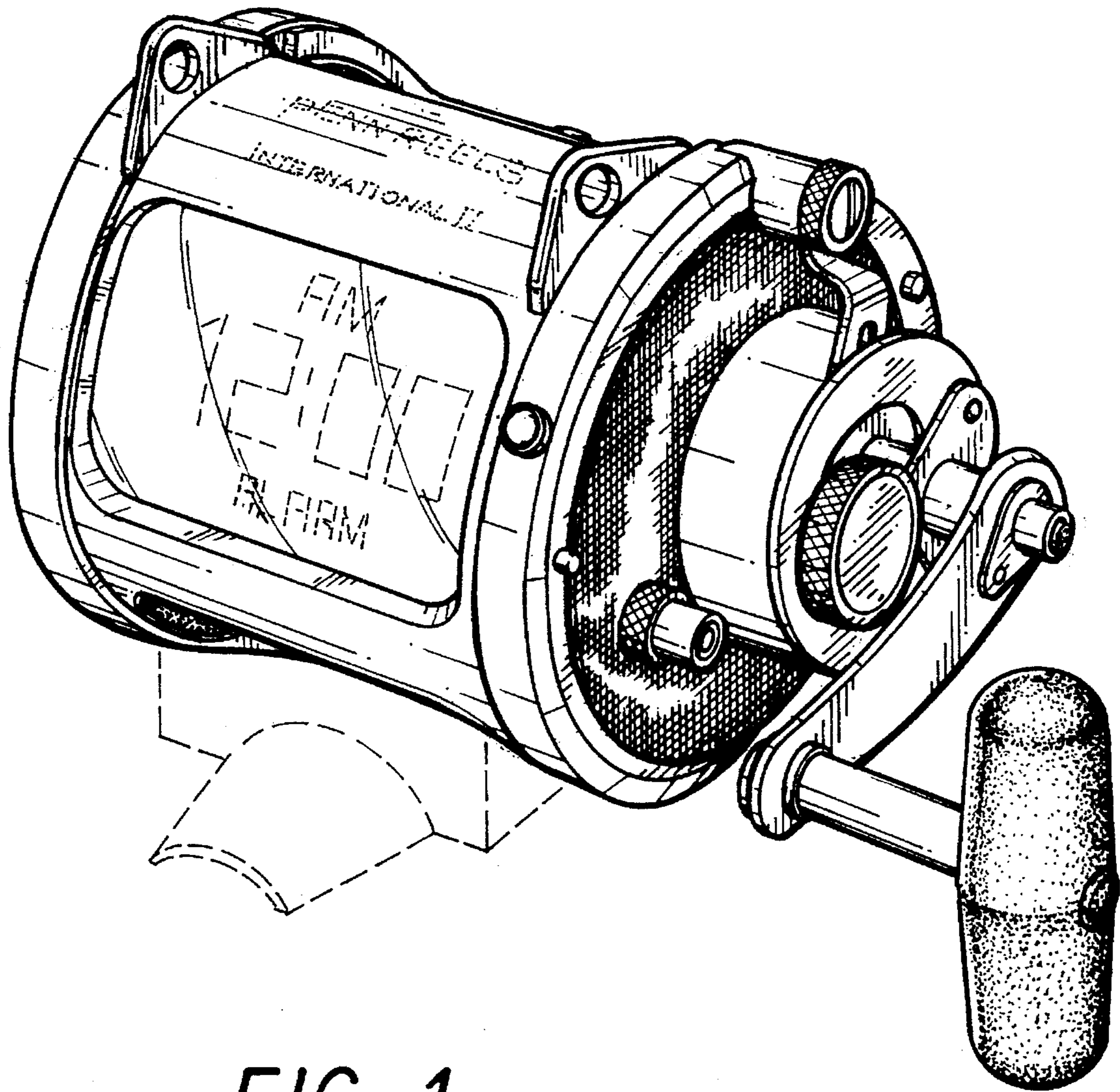


FIG. 1

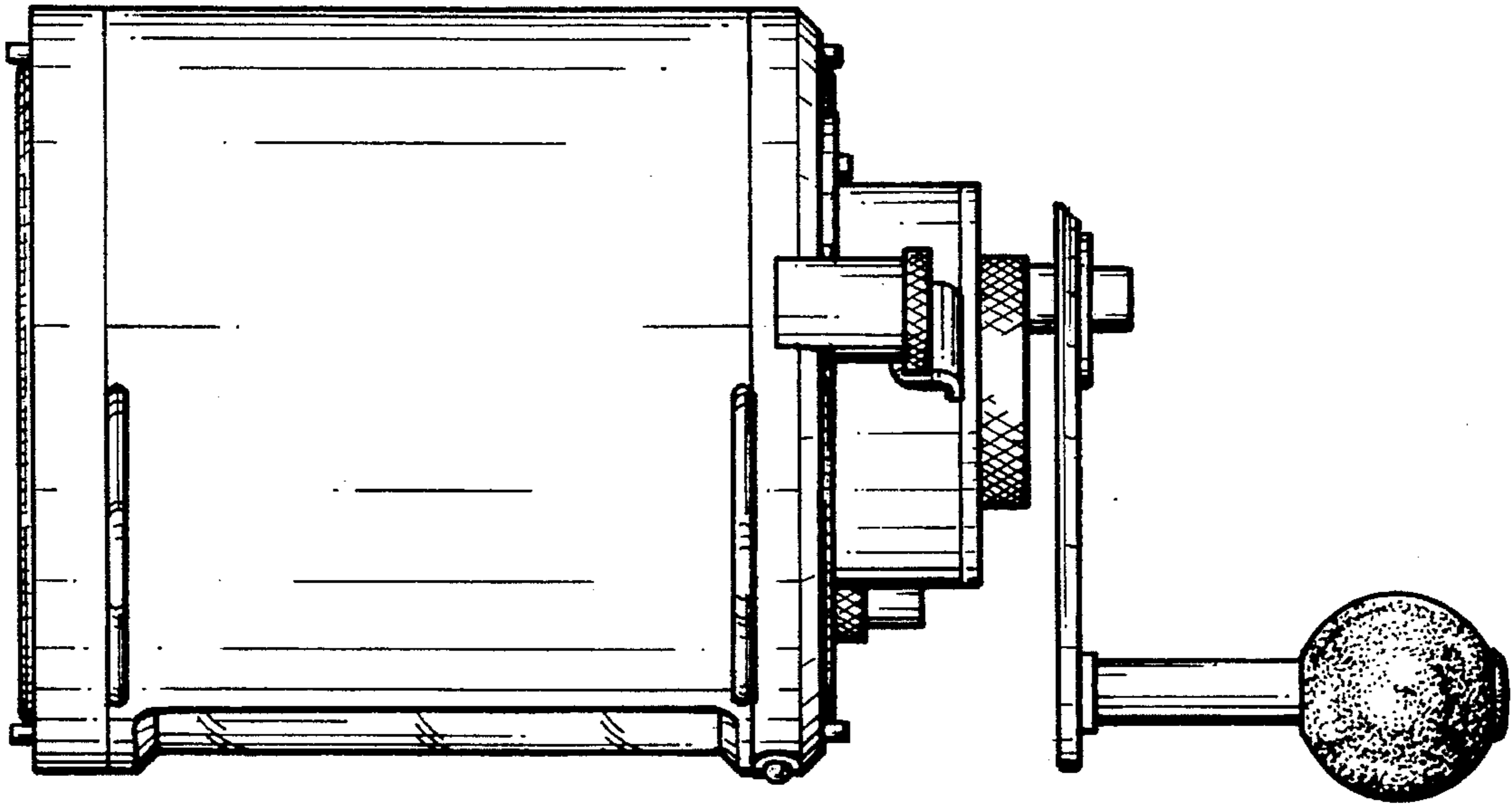


FIG. 2

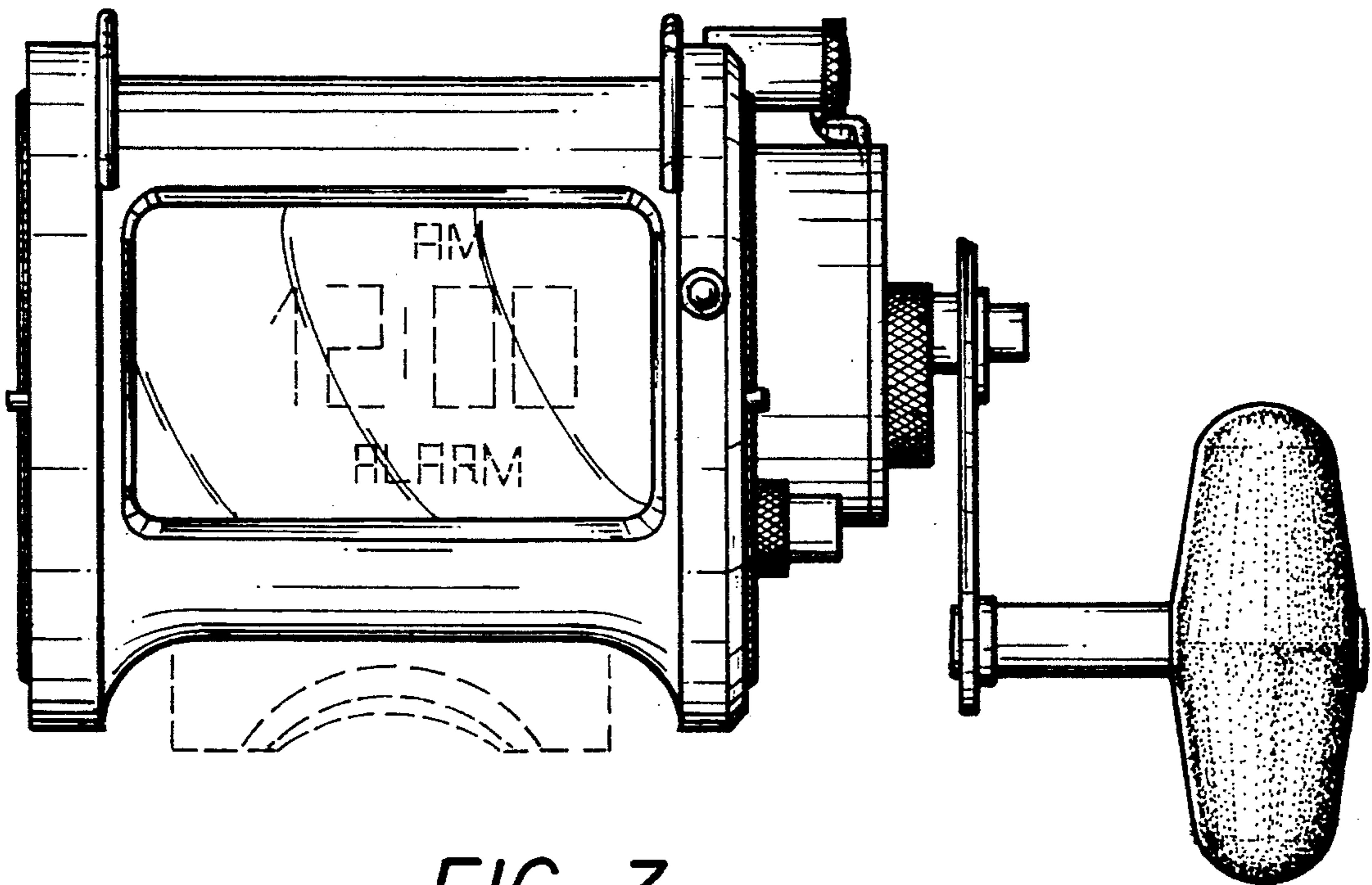


FIG. 3

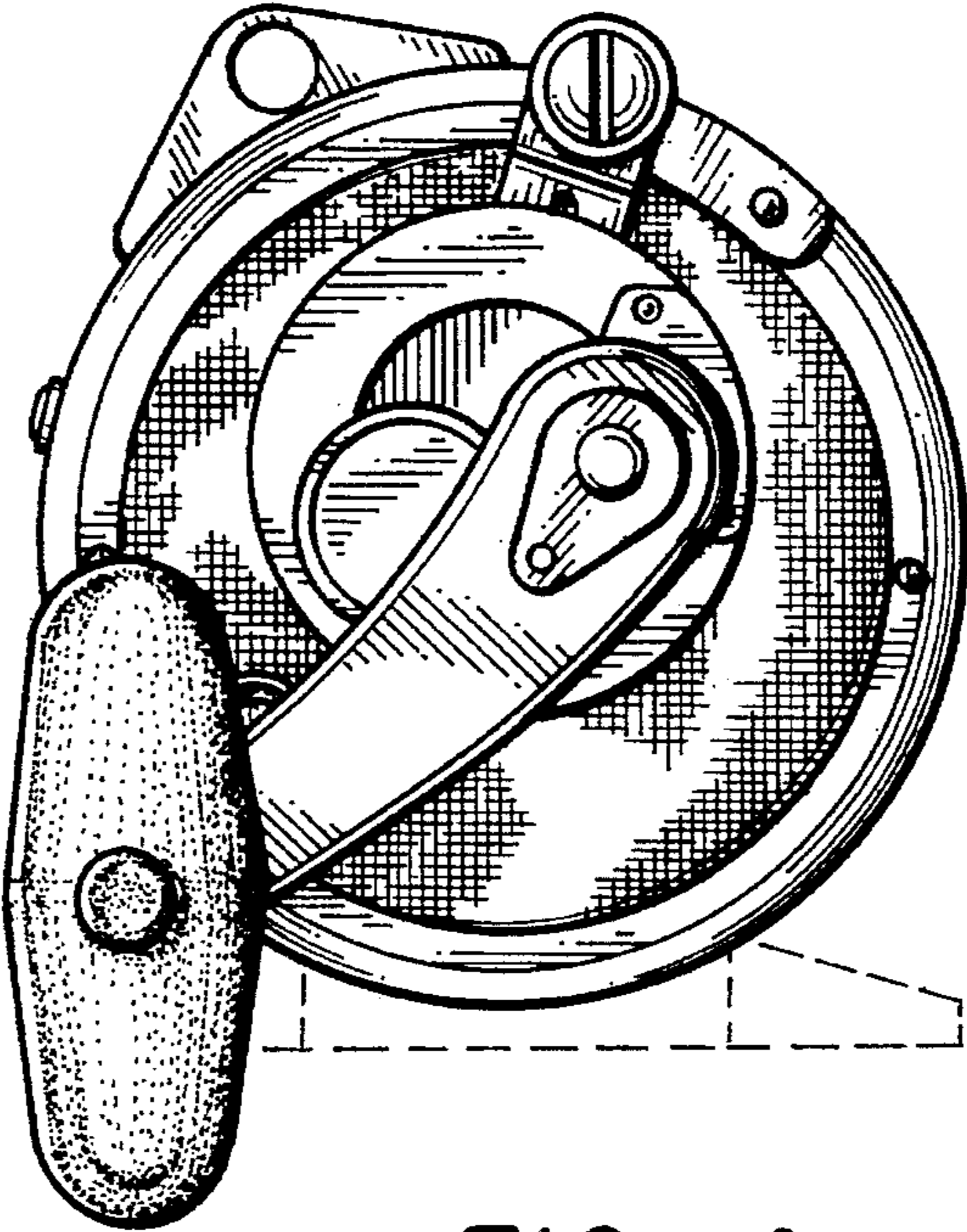


FIG. 4

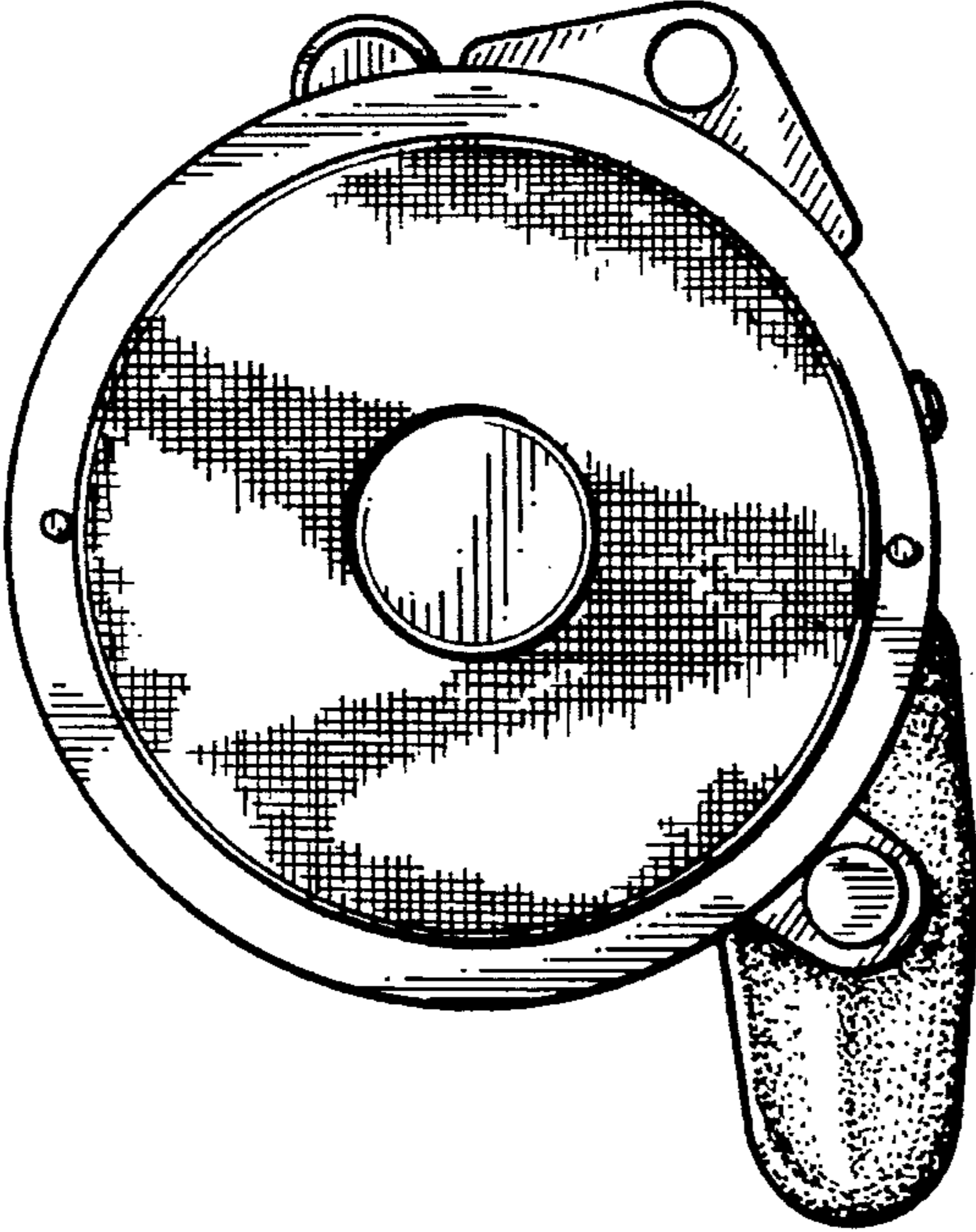


FIG. 5

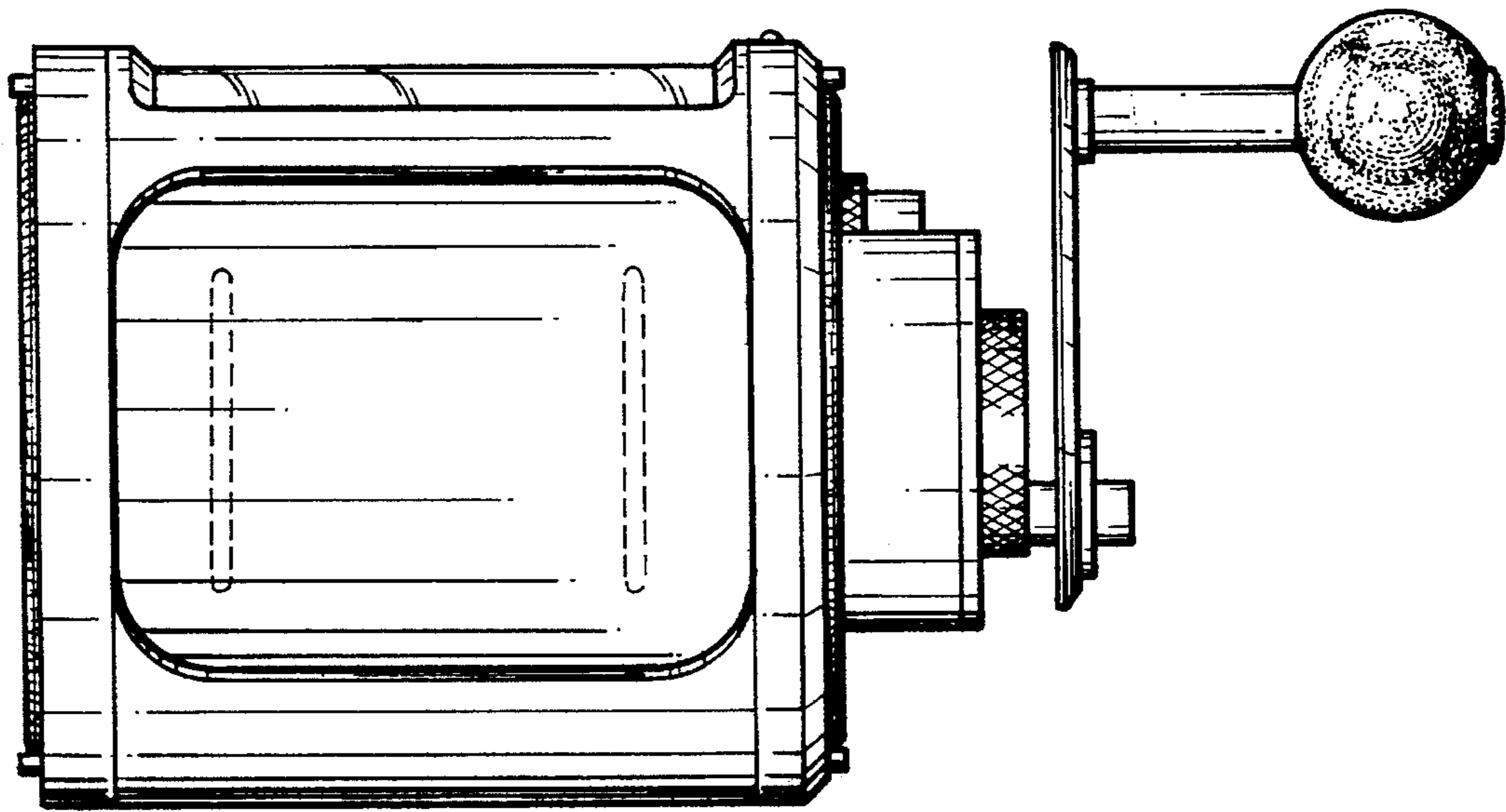


FIG. 6

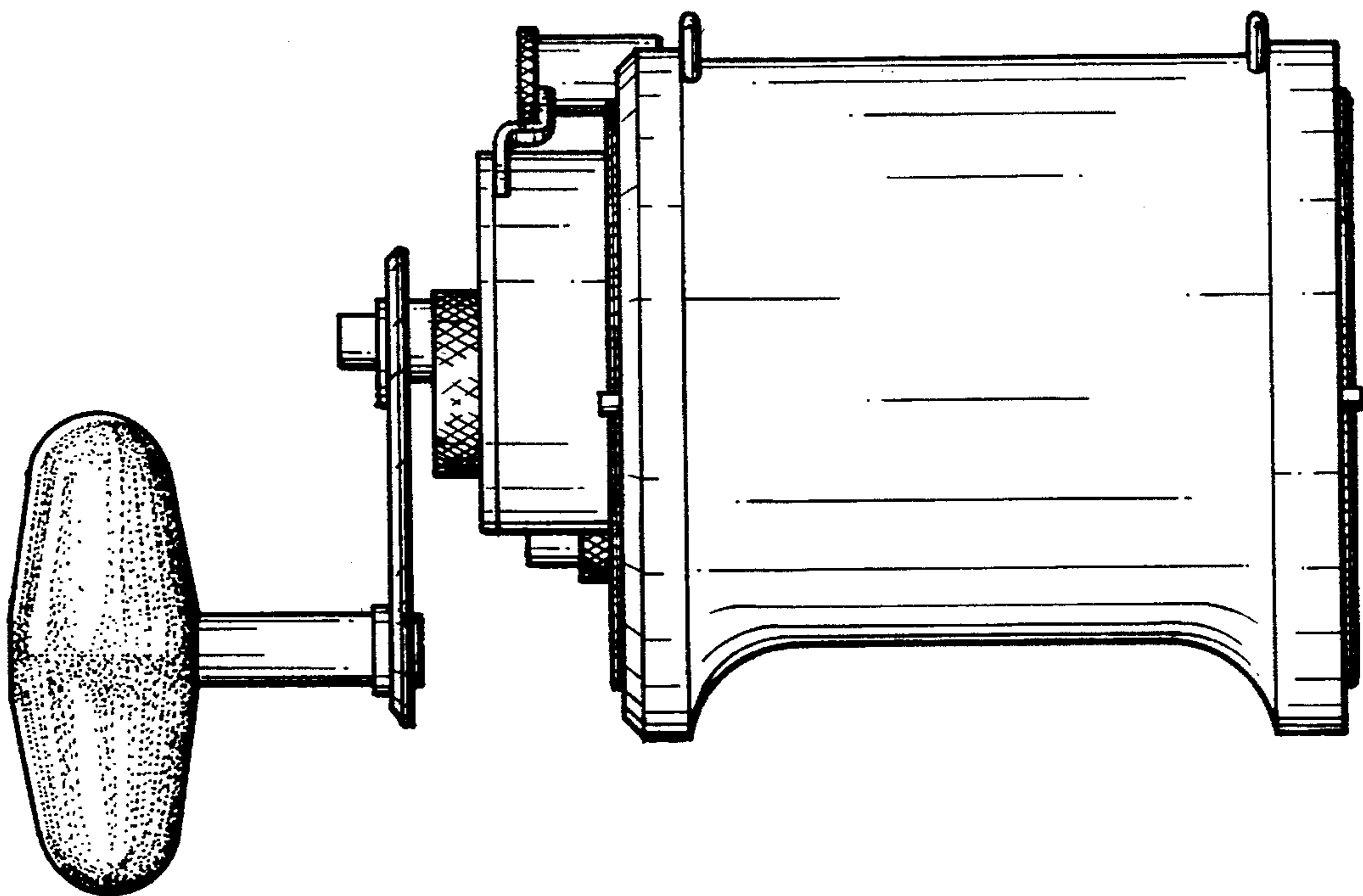


FIG. 7