



US00D378273S

# United States Patent [19]

[11] Patent Number: **Des. 378,273**

**Robbins, III et al.**

[45] Date of Patent: **\*\*Mar. 4, 1997**

[54] **DISPENSING CAP**

[75] Inventors: **Edward S. Robbins, III**, 2802 E. Avalon Ave., Muscle Shoals, Ala. 35661; **Gregory S. Burcham**, Spruce Pine, Ala.

[73] Assignee: **Edward S. Robbins, III**, Muscle Shoals, Ala.

[\*\*] Term: **14 Years**

[21] Appl. No.: **42,403**

[22] Filed: **Aug. 8, 1995**

[52] U.S. Cl. .... **D9/449**

[58] Field of Search ..... D9/434-5, 440, D9/445, 447, 449-50, 454, 523, 525; D7/391-2, 589; 215/228, 235-6, 306, DIG. 7; 220/212, 334, 360, 521; 222/454, 456, 568, 442, 448, 158

### [56] References Cited

#### U.S. PATENT DOCUMENTS

- D. 323,781 2/1992 Hamly et al. .
- D. 350,877 9/1994 Van Walkenburg et al. .
- D. 363,649 10/1995 Robbins, III ..... D7/612
- D. 370,630 6/1996 Robbins, III ..... D9/449
- 1,273,012 7/1918 Souther .
- 1,714,368 5/1929 Hobson .
- 1,802,284 4/1931 Stoddard .
- 2,214,437 9/1940 Punte et al. .
- 2,339,644 1/1944 Lucas .
- 2,370,820 3/1945 Stott .
- 2,449,285 9/1948 Ekstrom .
- 2,784,884 3/1957 Borie, Jr. .
- 2,804,103 8/1957 Wall .
- 2,811,281 10/1957 Donovan .
- 2,840,124 6/1958 Greene .
- 2,844,266 7/1958 Hofe .
- 2,969,167 1/1961 Libit .
- 2,985,343 5/1961 Mask .
- 3,020,659 2/1962 Paulini .
- 3,033,420 5/1962 Thomas et al. .
- 3,140,799 7/1964 Mehr .
- 3,168,223 2/1965 Capers .
- 3,318,494 5/1967 Porter et al. .... D9/450 X

- 3,424,355 1/1969 Blumen .
- 3,486,665 12/1969 La Croce .
- 3,860,111 1/1975 Thompson .
- 3,948,105 4/1976 Johnson, Jr. .
- 3,990,598 11/1976 Zapp et al. .... 215/306 X
- 4,069,935 1/1978 Hampel .
- 4,079,859 3/1978 Jennings .
- 4,083,467 4/1978 Mullins et al. .
- 4,144,989 3/1979 Joy .
- 4,164,301 8/1979 Thayer .
- 4,209,100 6/1980 Uhlig .
- 4,292,846 10/1981 Barnett .
- 4,298,038 11/1981 Jennings .

(List continued on next page.)

*Primary Examiner*—James M. Gandy  
*Assistant Examiner*—Cathron B. Matta  
*Attorney, Agent, or Firm*—Nixon & Vanderhye P.C.

### [57] CLAIM

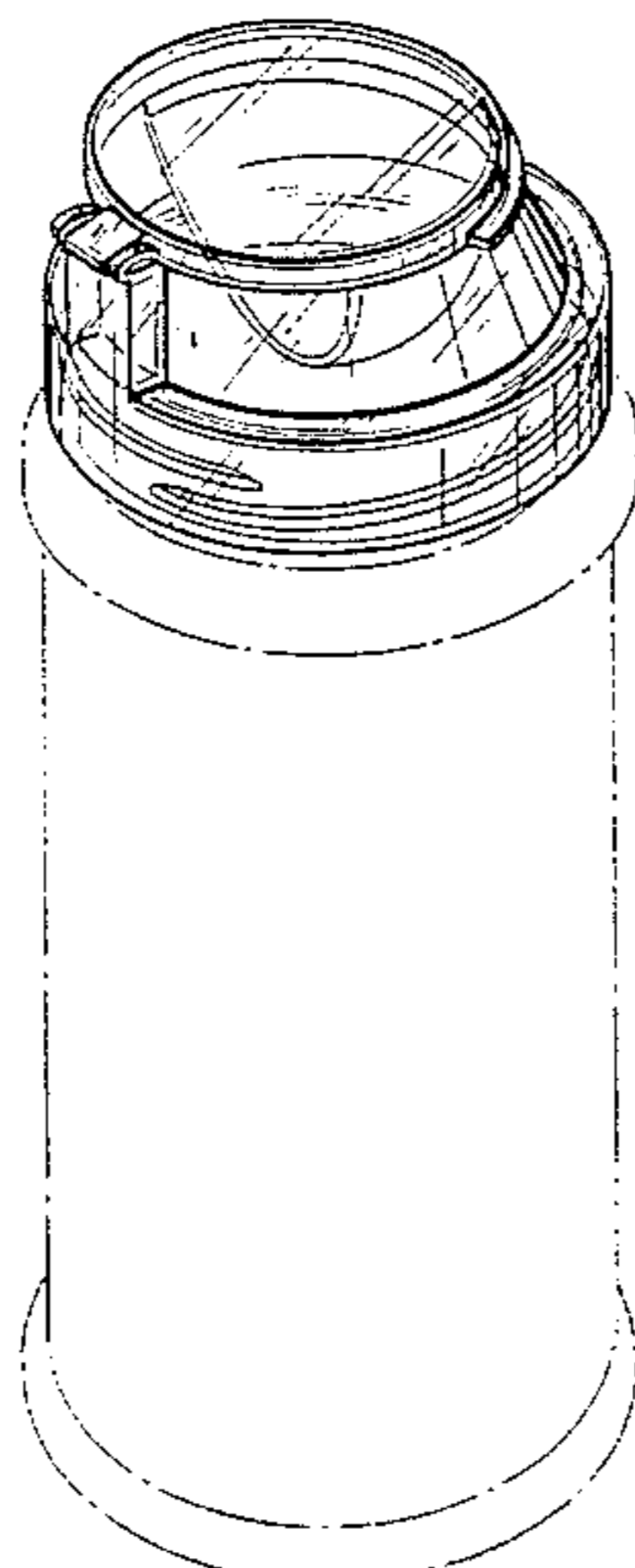
The ornamental design for a dispensing cap, as shown and described.

### DESCRIPTION

FIG. 1 is a perspective view of a dispensing cap in accordance with my new design;  
 FIG. 2 is a top plan view thereof, shown at an enlarged scale;  
 FIG. 3 is a front elevation view thereof;  
 FIG. 4 is a right side view thereof, the left side view being substantially identical thereto;  
 FIG. 5 is a rear elevation view thereof;  
 FIG. 6 is a bottom plan view thereof;  
 FIG. 7 is a perspective view of a dispensing cap in accordance with a second embodiment of my new design;  
 FIG. 8 is a top plan view thereof, shown at an enlarged scale;  
 FIG. 9 is a front elevation view thereof;  
 FIG. 10 is a right side view thereof, the left side being substantially identical;  
 FIG. 11 is a rear elevation thereof; and,  
 FIG. 12 is a bottom plan view thereof.

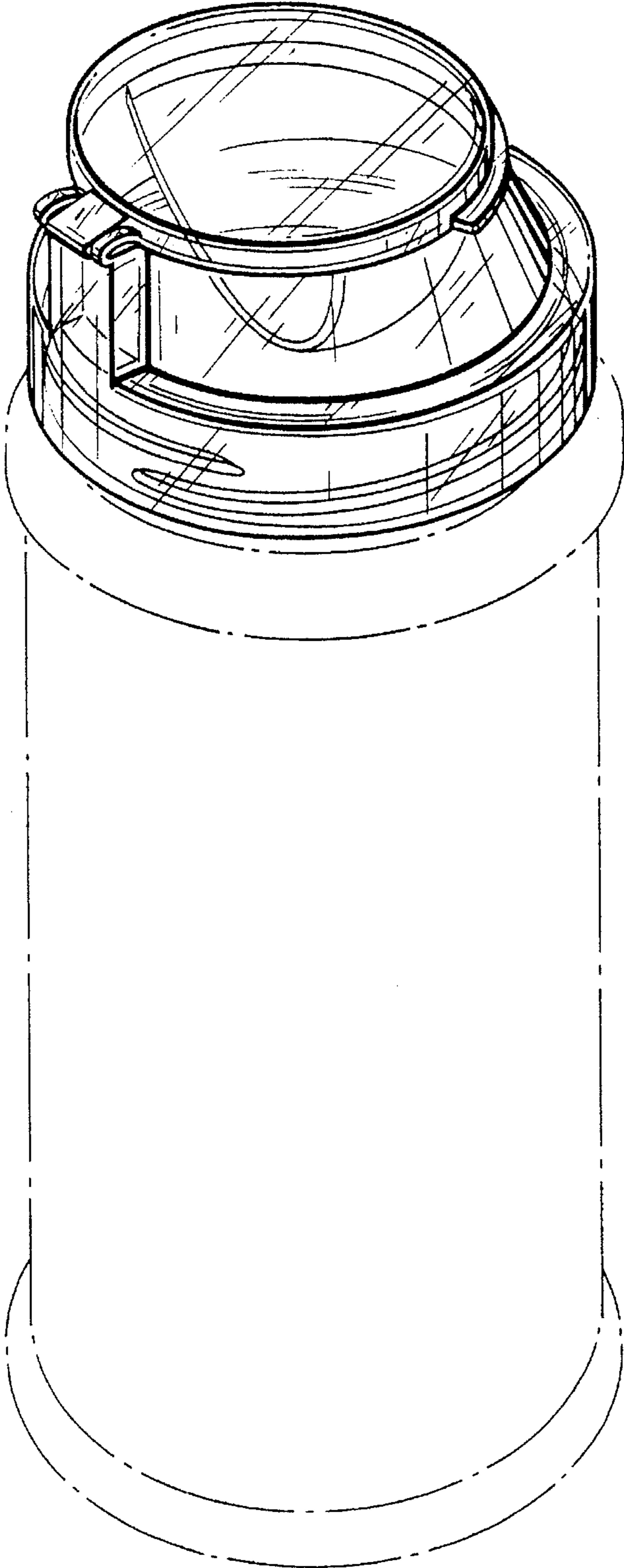
The containers illustrated in phantom in FIGS. 1 and 7 are merely intended to show my new dispensing cap in its intended environment and otherwise form no part of the claimed subject matter.

**1 Claim, 8 Drawing Sheets**

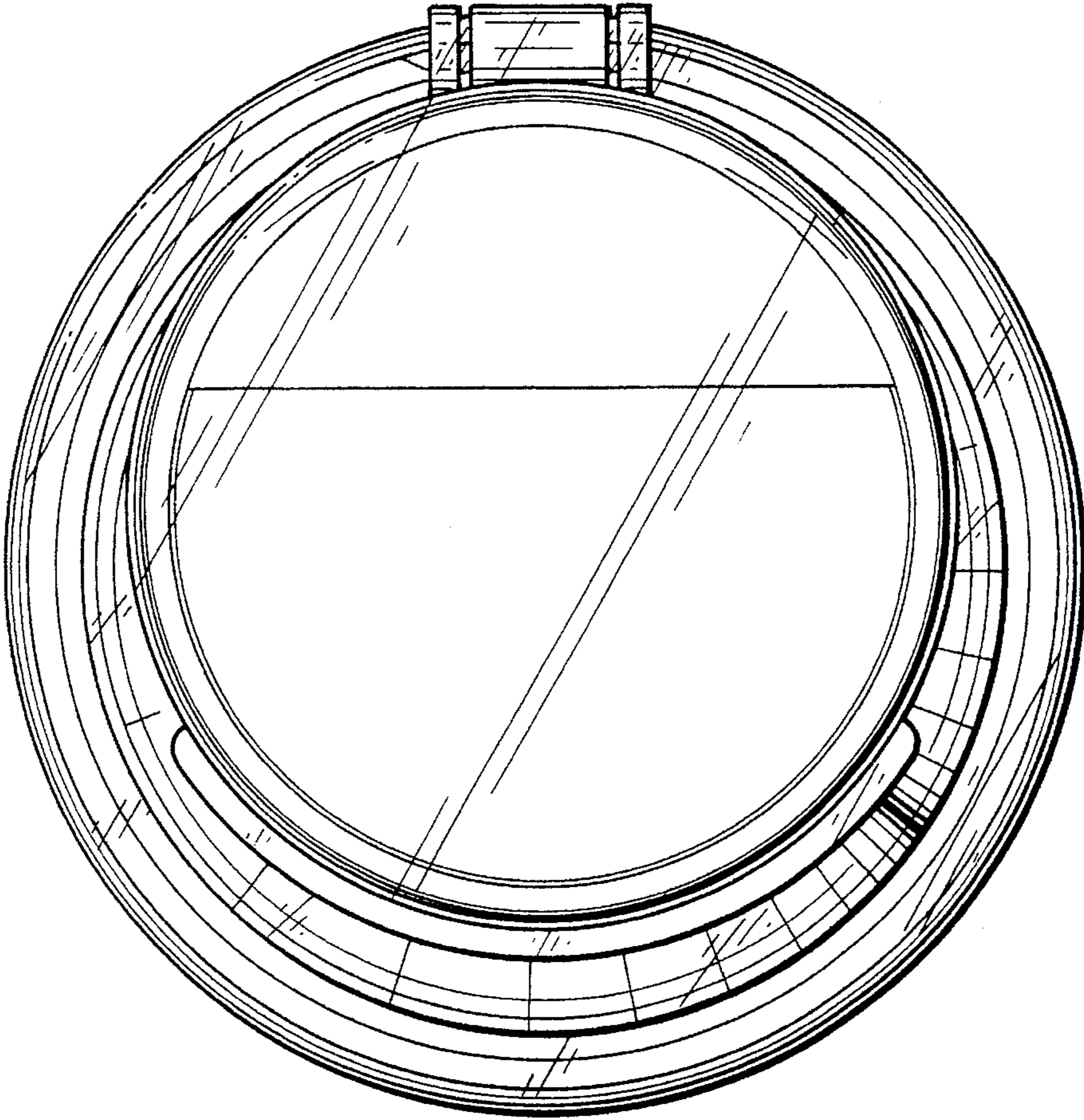


U.S. PATENT DOCUMENTS					
			4,723,693	2/1988	DeCoster .
4,318,500	3/1982	Melikian .	4,736,858	4/1988	Shastal ..... 215/236
4,346,823	8/1982	Eppenbach .	4,802,597	2/1989	Dubach .
4,376,497	3/1983	Mumford .	4,898,292	2/1990	VerWeyst et al. .
4,399,928	8/1983	Klingler .	4,930,688	6/1990	Arona-Delonghi .
4,408,703	10/1983	Libit .	4,936,494	6/1990	Weidman .
4,544,063	10/1985	Neward .	4,955,513	9/1990	Bennett .
4,580,687	4/1986	Lewis .	4,961,521	10/1990	Eckman .
4,606,481	4/1986	Conti et al. .	5,011,048	4/1991	Mark .
4,610,371	9/1986	Karkiewicz .	5,064,106	11/1991	Butler et al. .
4,613,057	9/1986	Sacchetti et al. .	5,085,331	2/1992	Groya et al. .
4,635,828	1/1987	Kaufman .	5,139,181	8/1992	VerWeyst .
4,643,881	2/1987	Alexander et al. .	5,411,186	5/1995	Robbins, III ..... 222/442
4,646,948	3/1987	Jennings .	5,465,871	11/1995	Robbins, III ..... 222/23
4,691,821	9/1987	Hofmann .	5,487,494	1/1996	Robbins, III ..... 222/158
4,693,399	9/1987	Hickman et al. .	5,489,049	2/1996	Robbins, III ..... 222/448
4,714,181	12/1987	Kozlowski et al. .			

**FIG. 1**

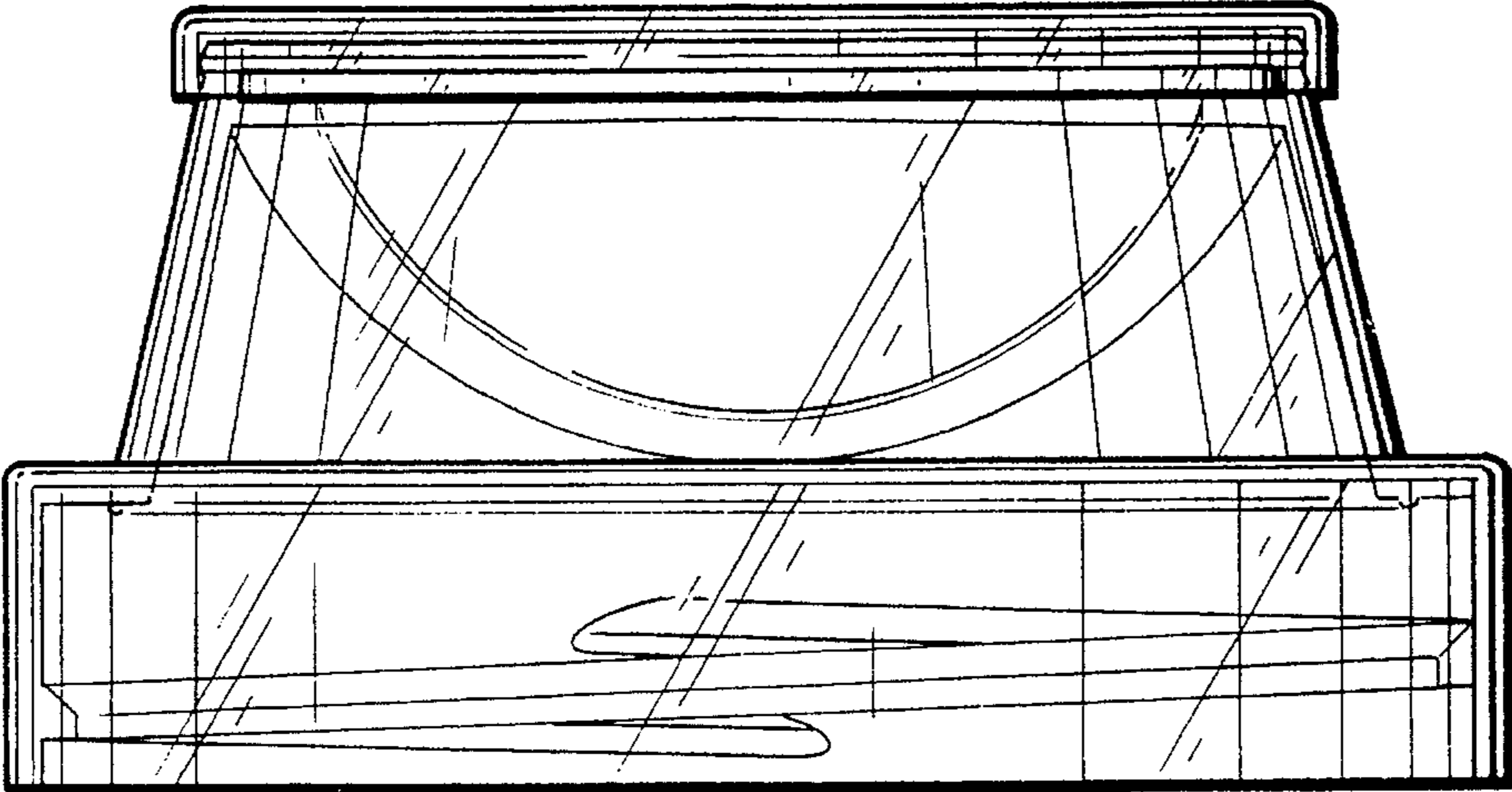


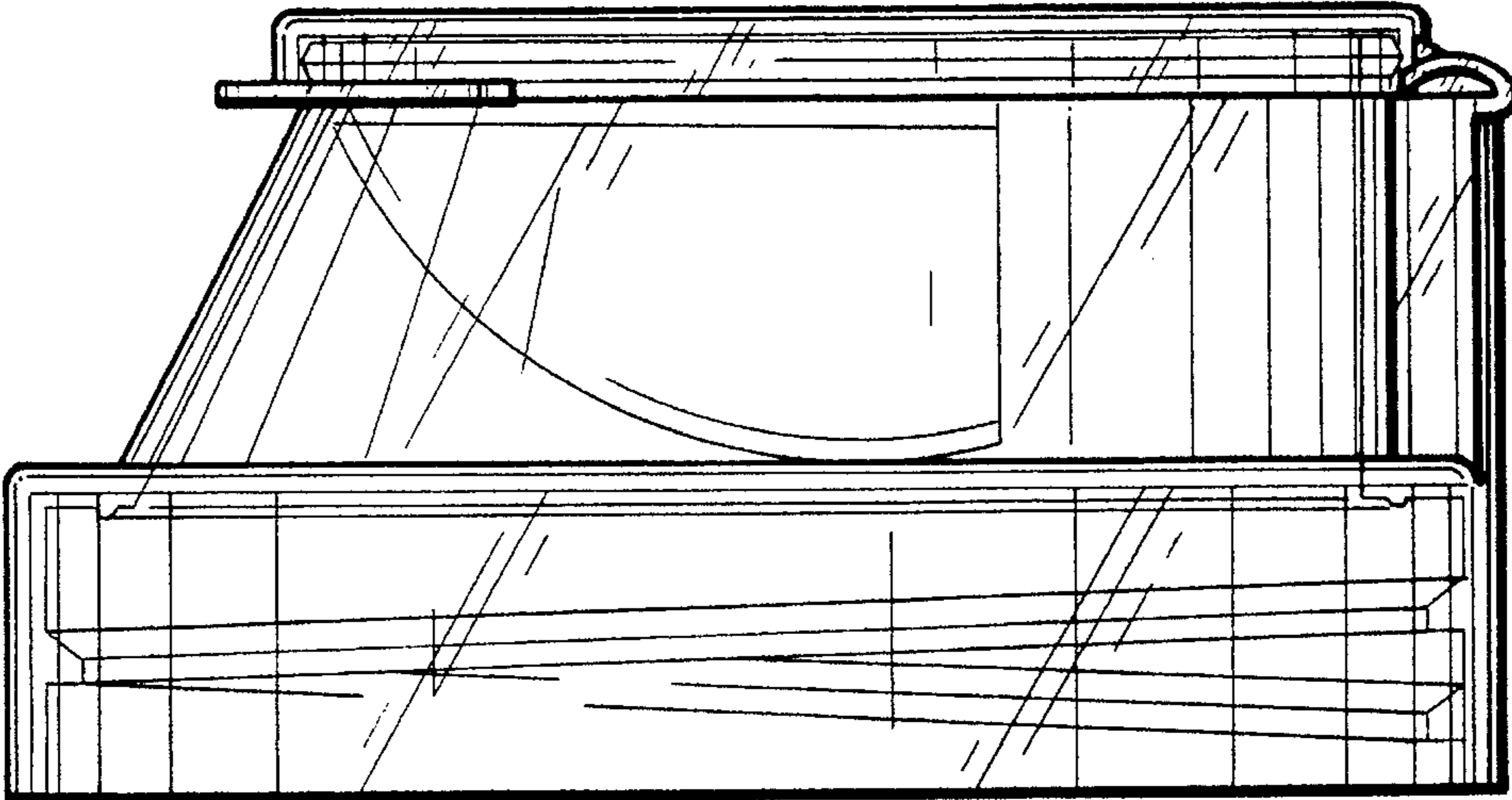




**FIG. 2**

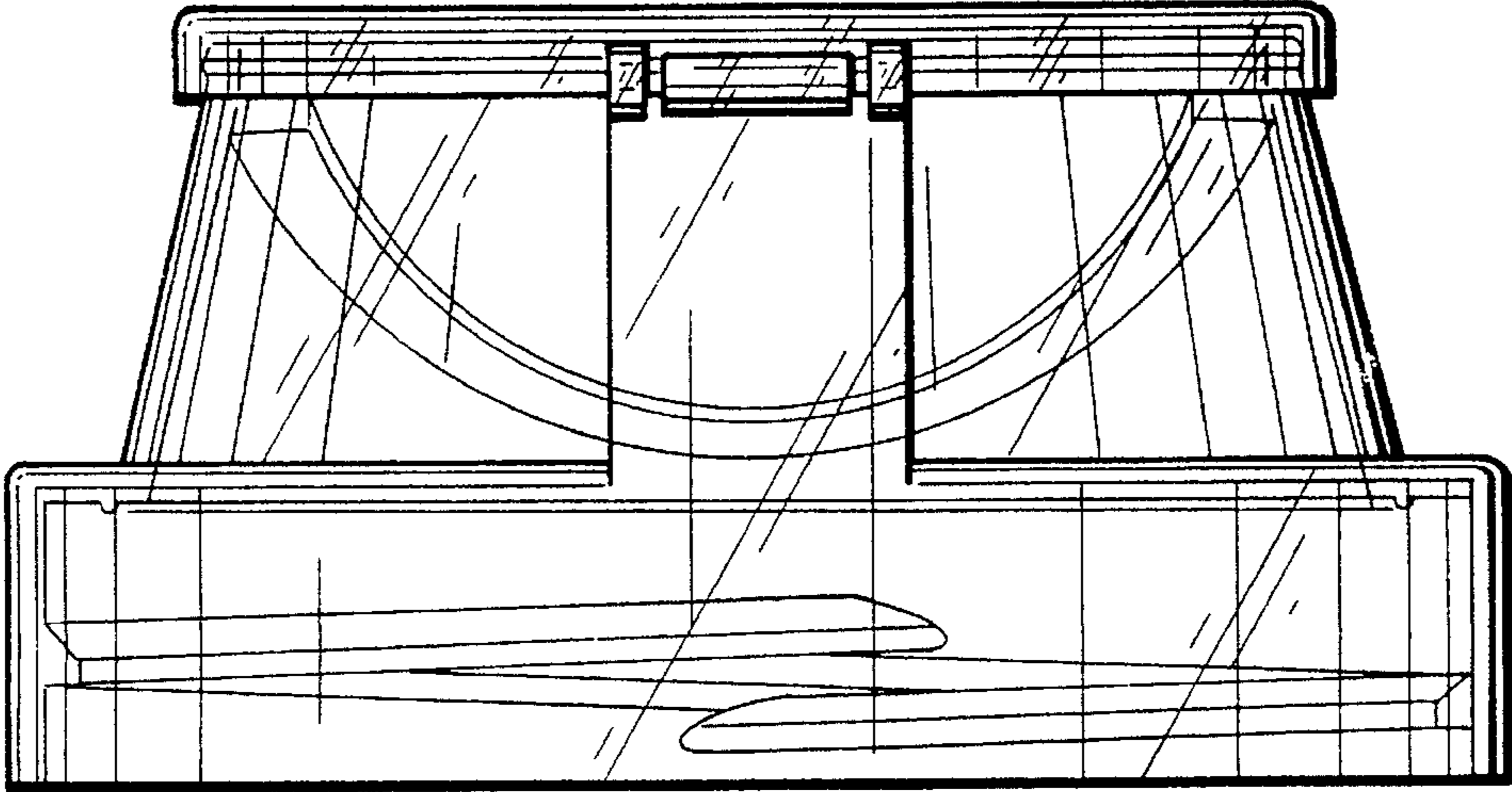
**FIG. 3**



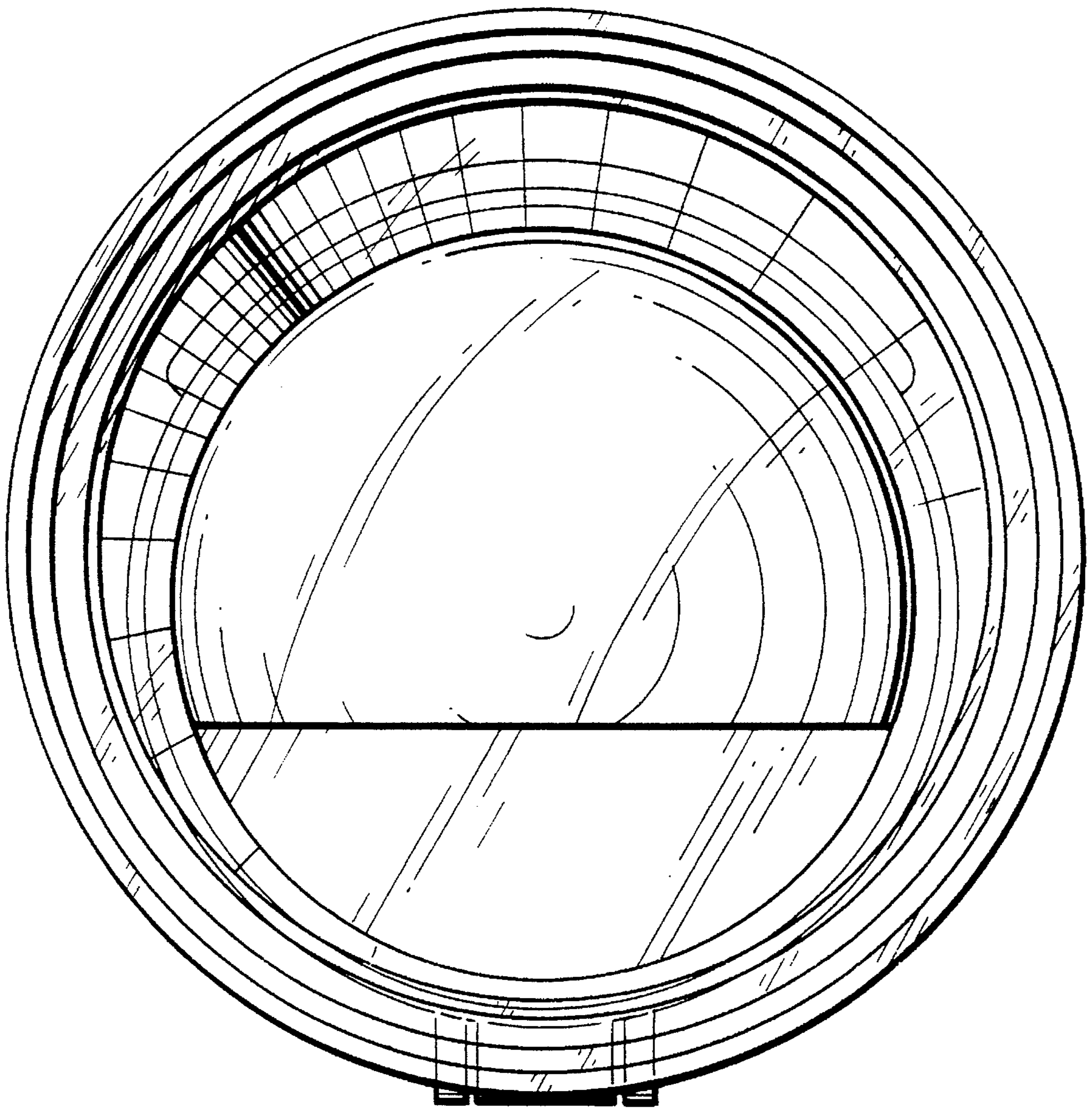


**FIG. 4**

**FIG. 5**

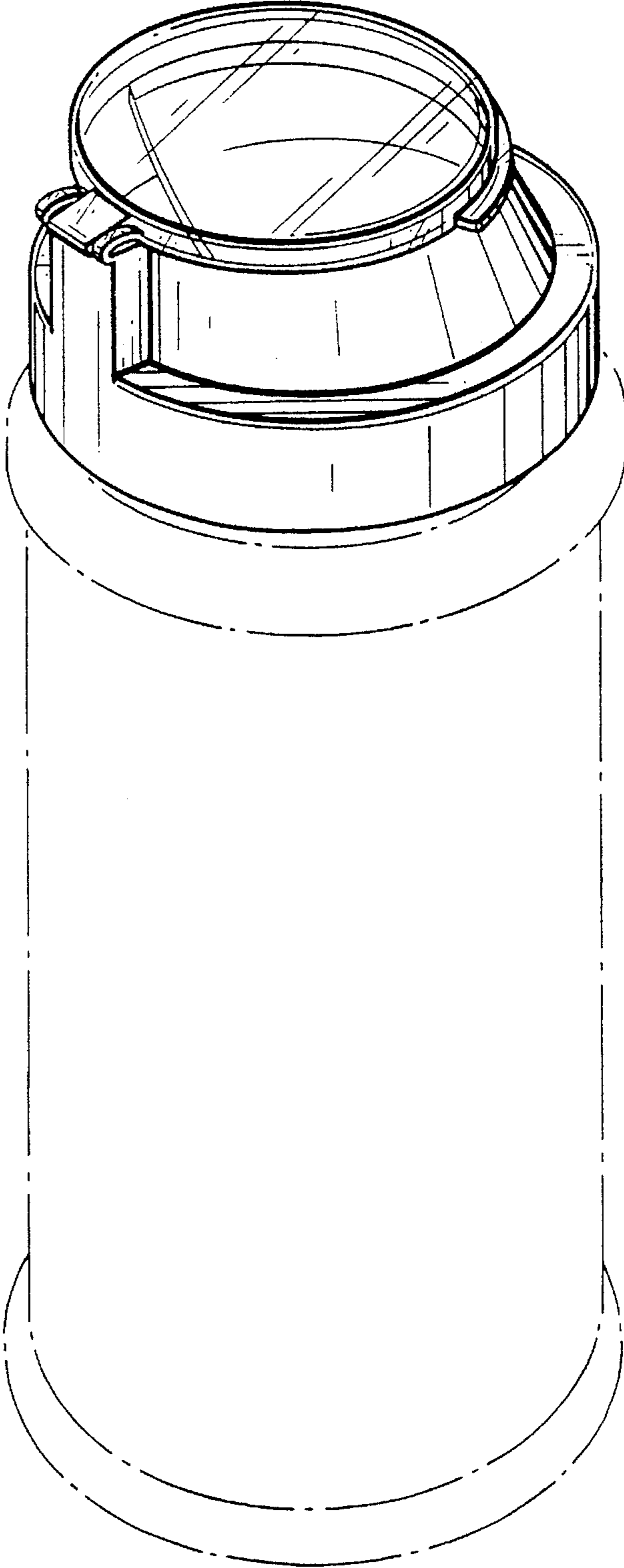


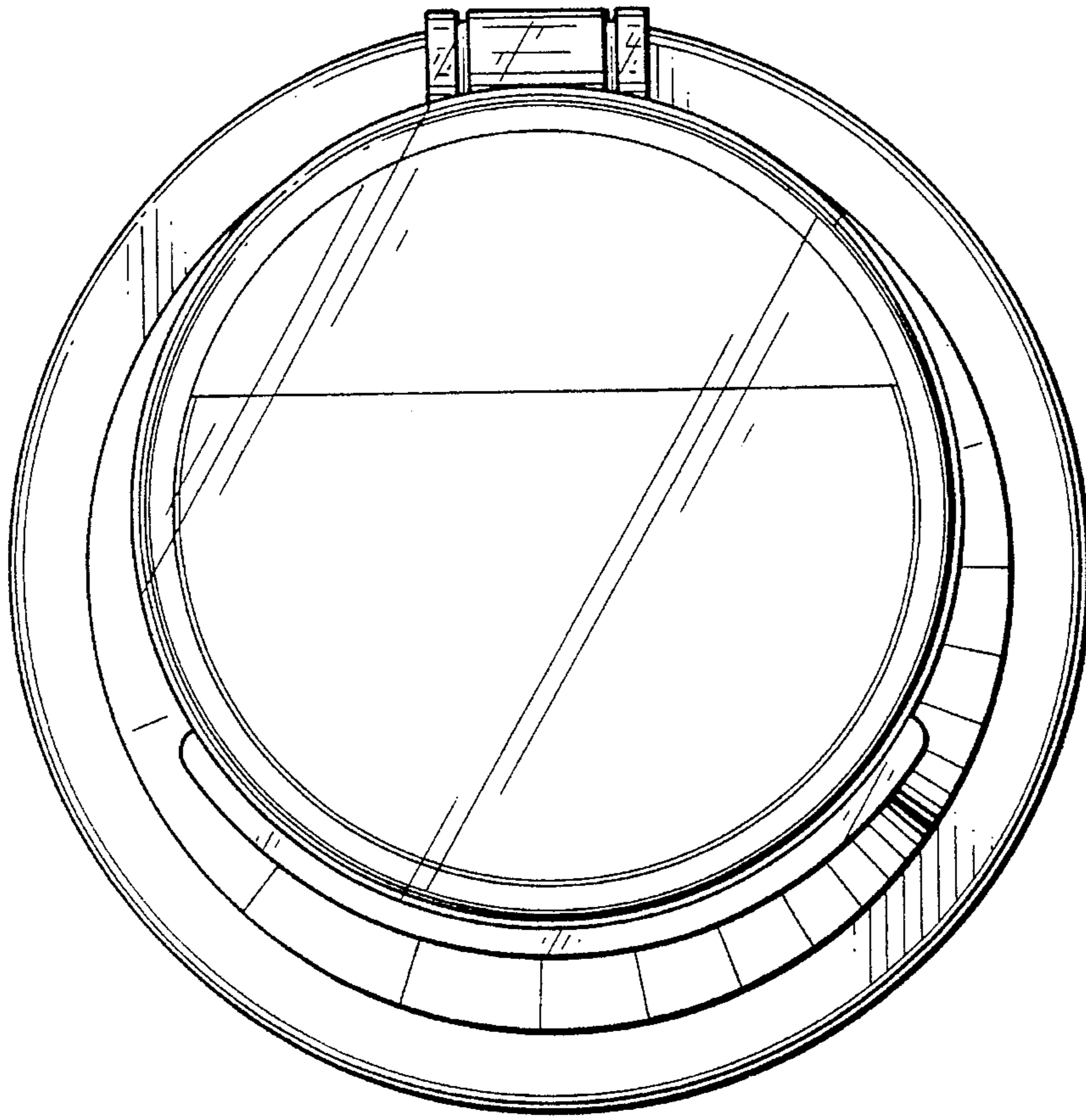
**FIG. 6**





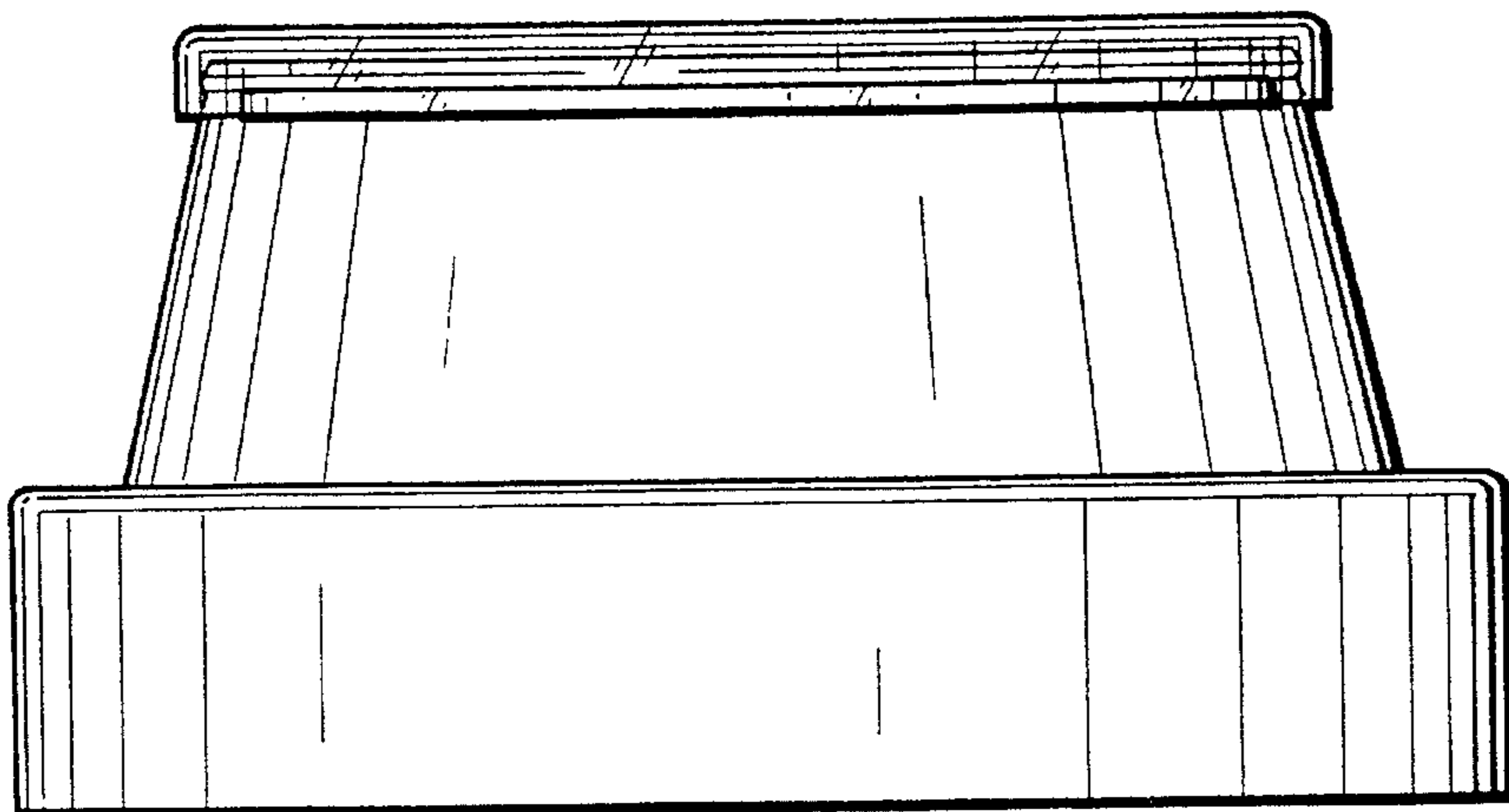
**FIG. 7**



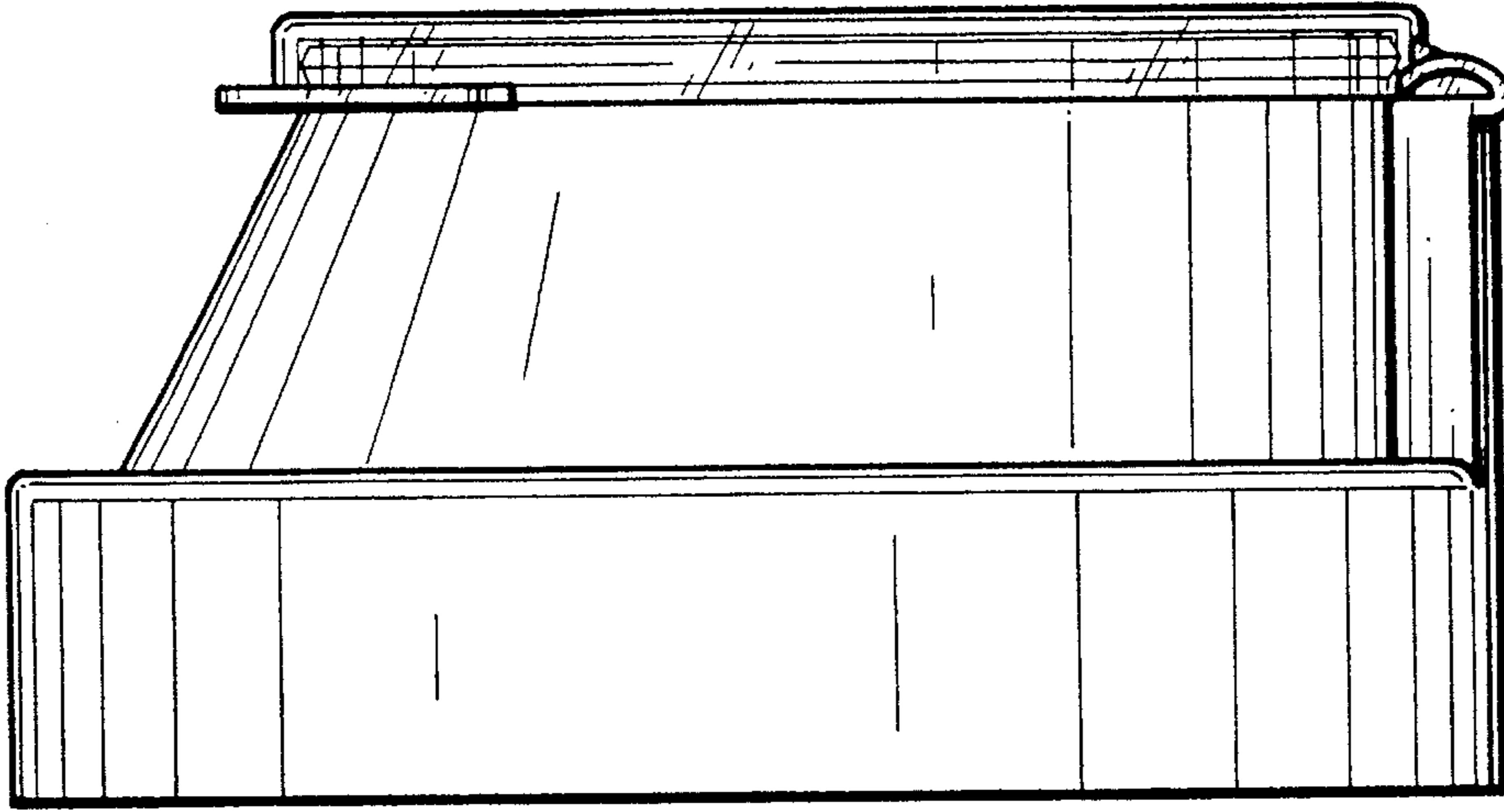


**FIG. 8**

**FIG. 9**

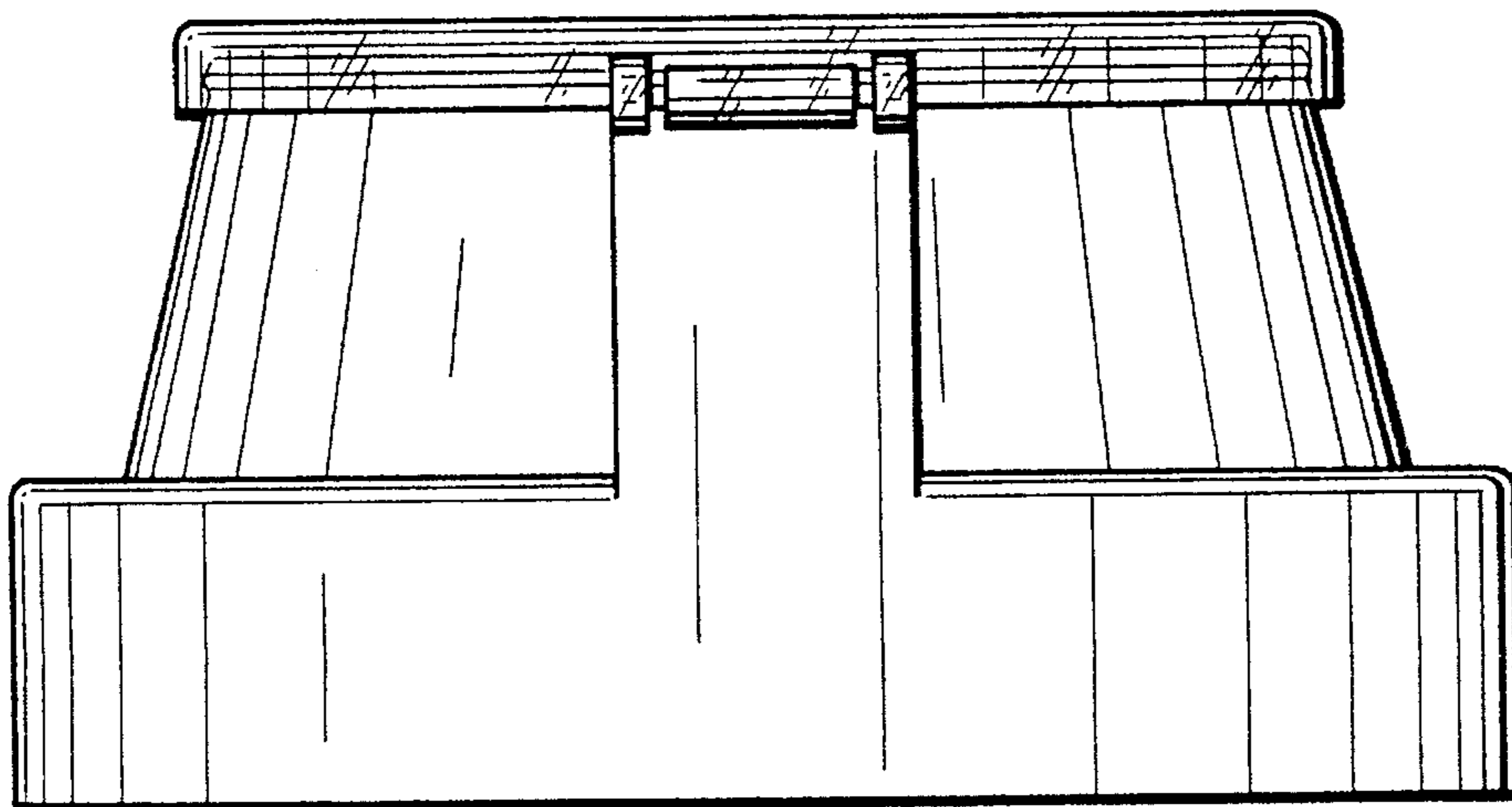






**FIG. 10**

**FIG. 11**



**FIG. 12**

