

US00D378268S

United States Patent [19]
Schultz

[11] **Patent Number: Des. 378,268**

[45] **Date of Patent: **Mar. 4, 1997**

[54] **BATTERY OPERATED POWER TOOL**

[75] Inventor: **William H. Schultz**, Northbrook, Ill.

[73] Assignee: **S-B Power Tool Company**, Chicago, Ill.

[**] Term: **14 Years**

[21] Appl. No.: **47,079**

[22] Filed: **Nov. 21, 1995**

[52] U.S. Cl. **D8/68**

[58] Field of Search D8/61, 68, 69;
81/57.11, 57.13, 469; 173/48, 90, 91, 92,
93, 93.5, 93.6, 93.7; 408/124, 125

[56] **References Cited**

U.S. PATENT DOCUMENTS

D. 340,394	10/1993	Okumura	D8/68
D. 359,215	6/1995	Zurwelle	D8/68
D. 360,814	8/1995	Kimata	D8/68
4,779,687	10/1988	Schreiber et al.	173/170

OTHER PUBLICATIONS

1995 DeWalt Power Tools & Accessories, p. 7-DW 953K.
1992 Makita Cordless Driver Drill Model 6211D Instruction Manual.

Primary Examiner—B. J. Bullock

Assistant Examiner—Robert M. Spear

Attorney, Agent, or Firm—Jones, Day, Reavis & Pogue

[57] **CLAIM**

The ornamental design for a battery operated power tool, as shown and described.

DESCRIPTION

FIG. 1 is a perspective view of the battery operated power tool;

FIG. 2 is a side view of the battery operated power tool (the side not shown is a mirror image of the side shown);

FIG. 3 is a front view of the battery operated power tool;

FIG. 4 is a rear view of the battery operated power tool;

FIG. 5 is a top view of the battery operated power tool; and,

FIG. 6 is a bottom view of the battery operated power tool.

1 Claim, 4 Drawing Sheets

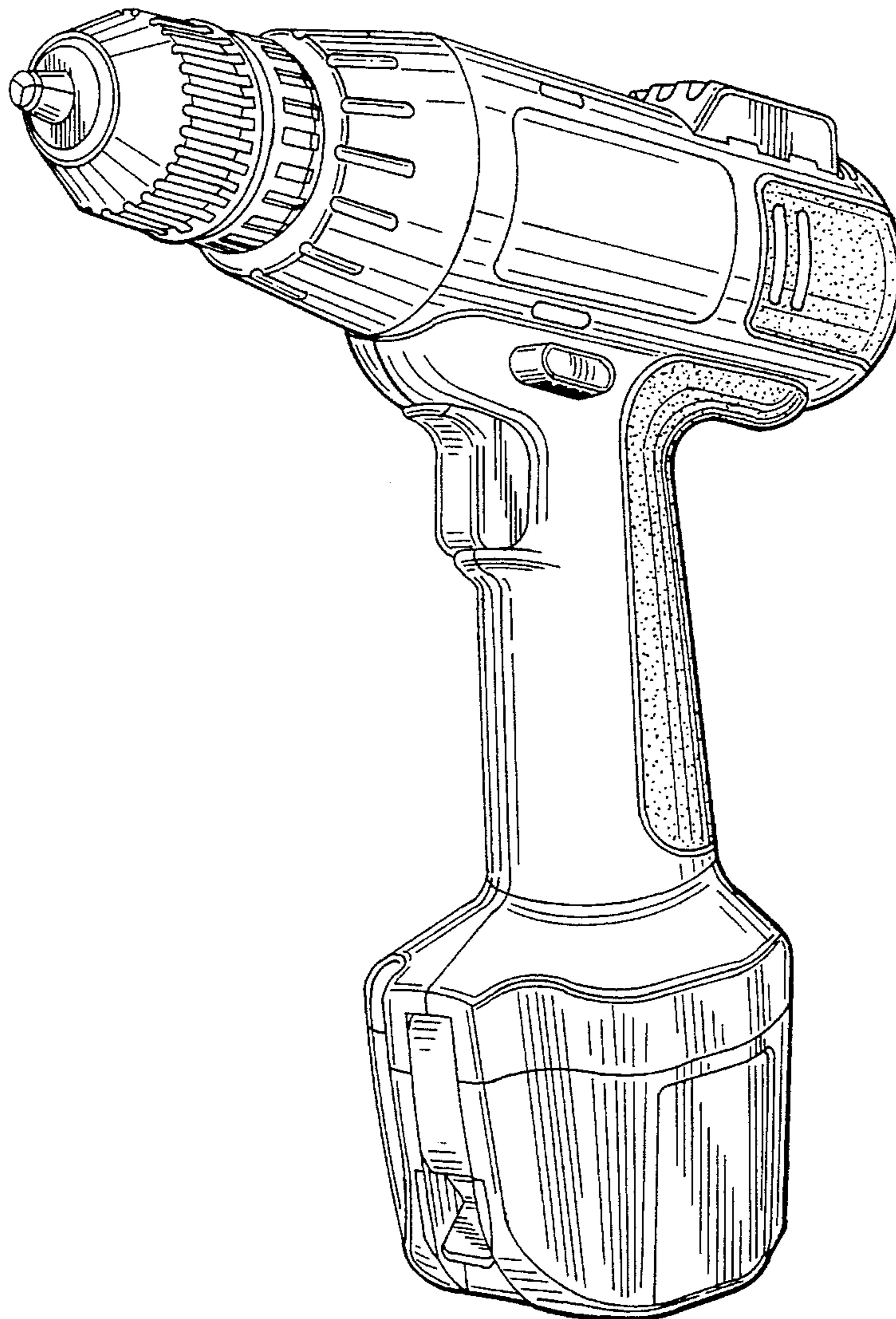


FIG. 1

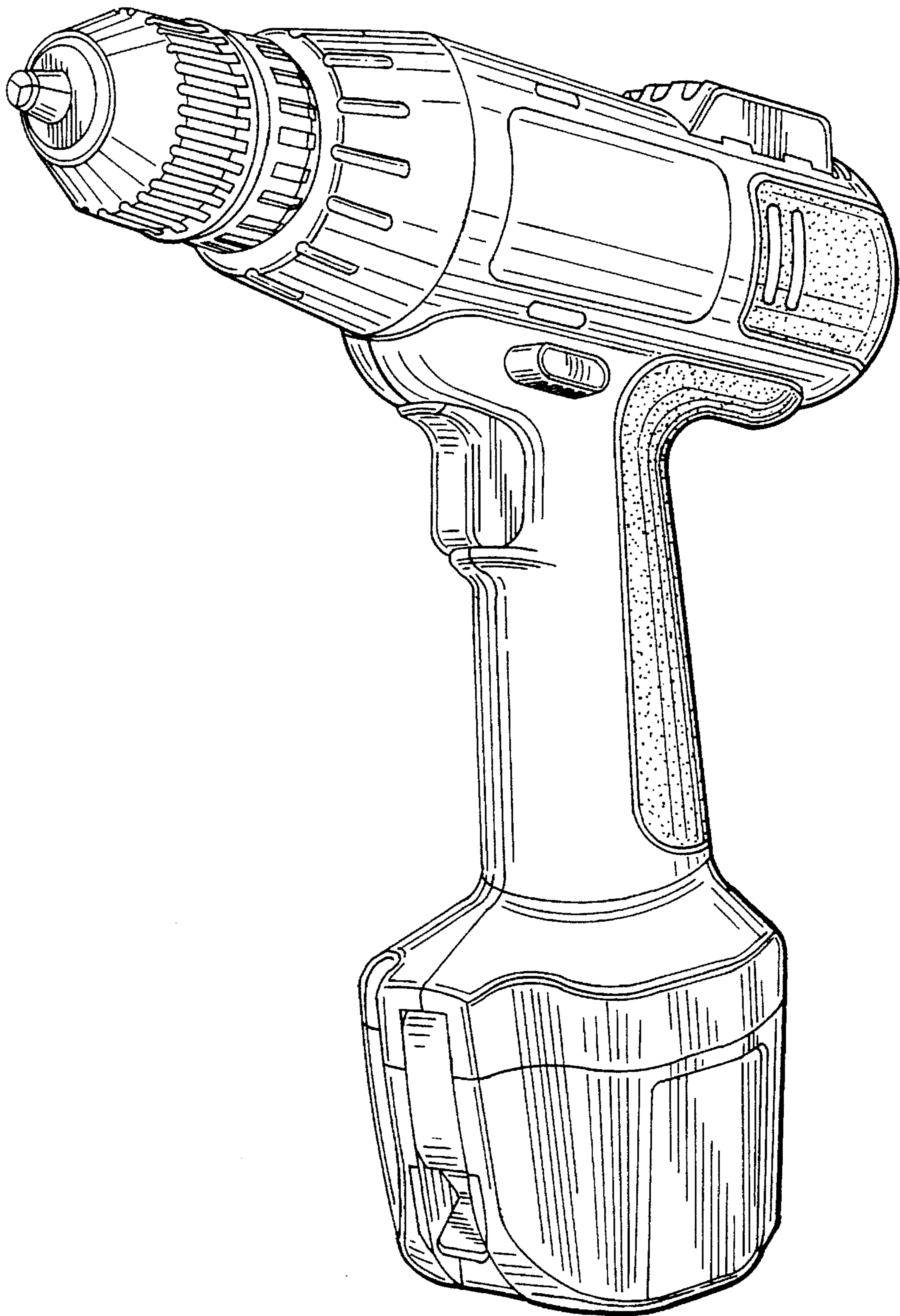


FIG. 2

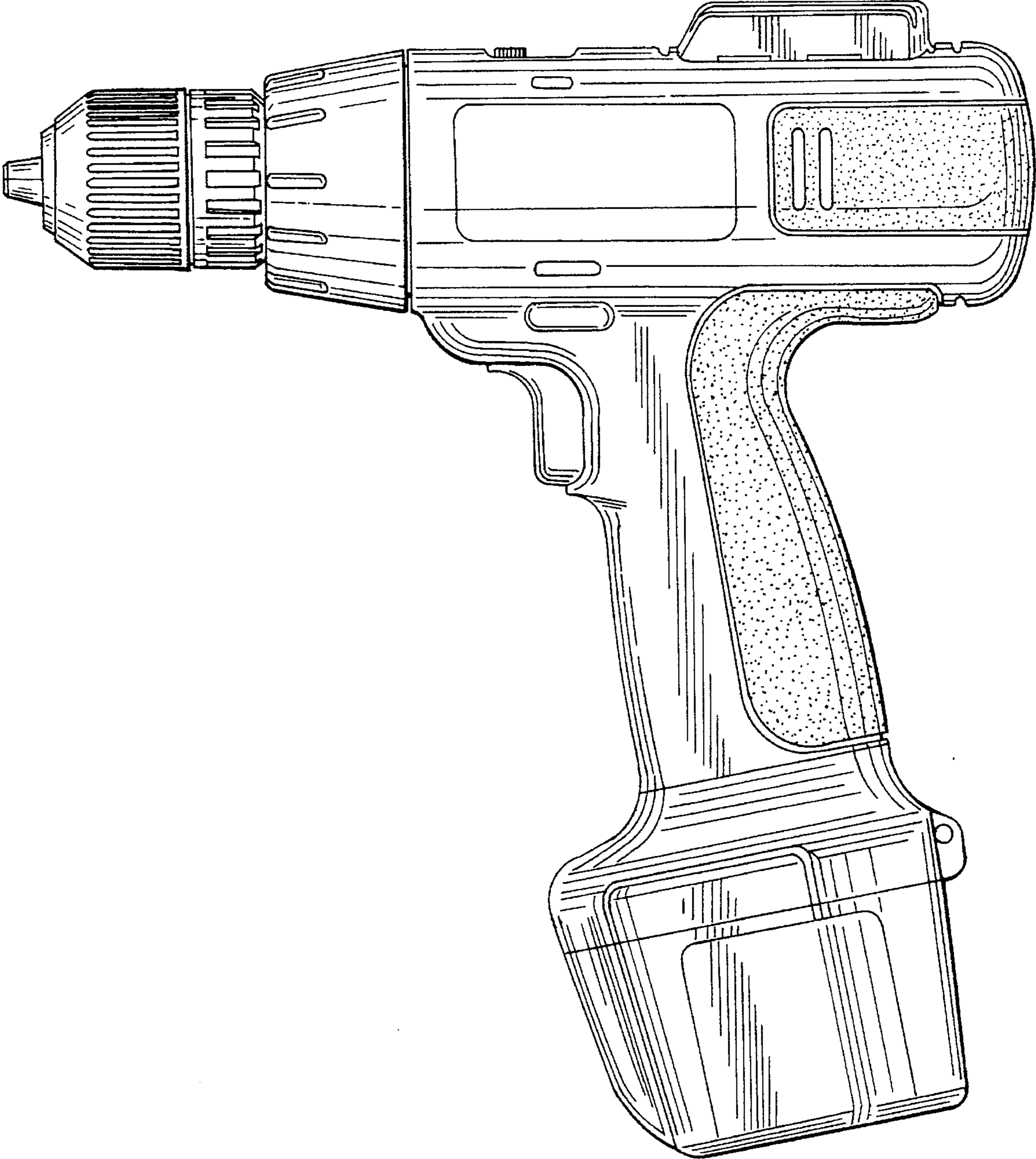


FIG. 3

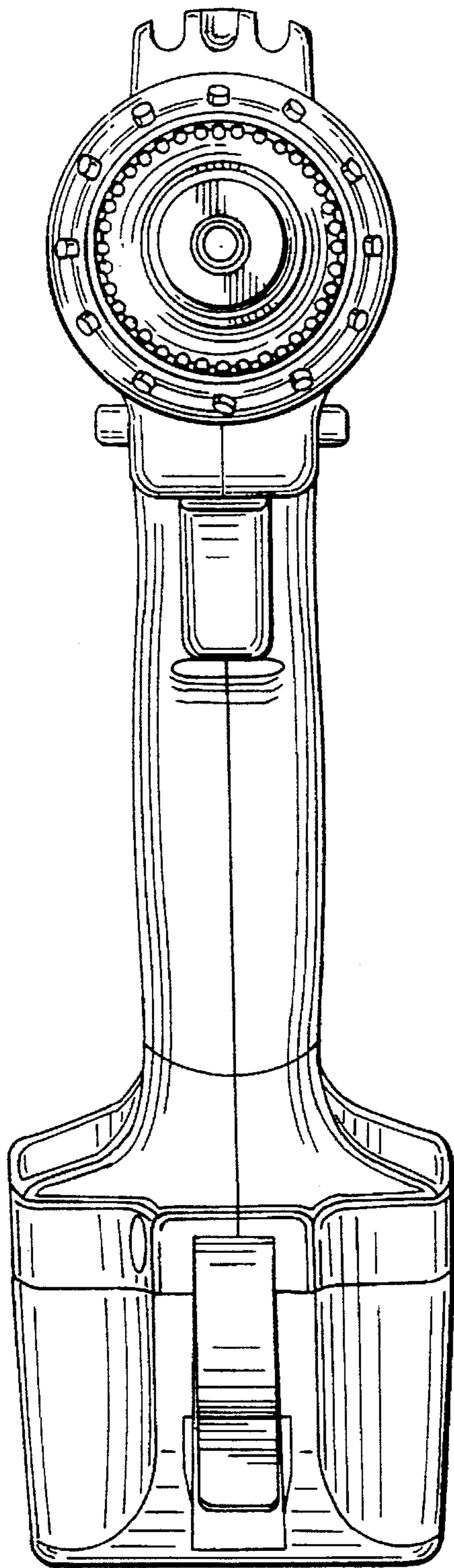


FIG. 4

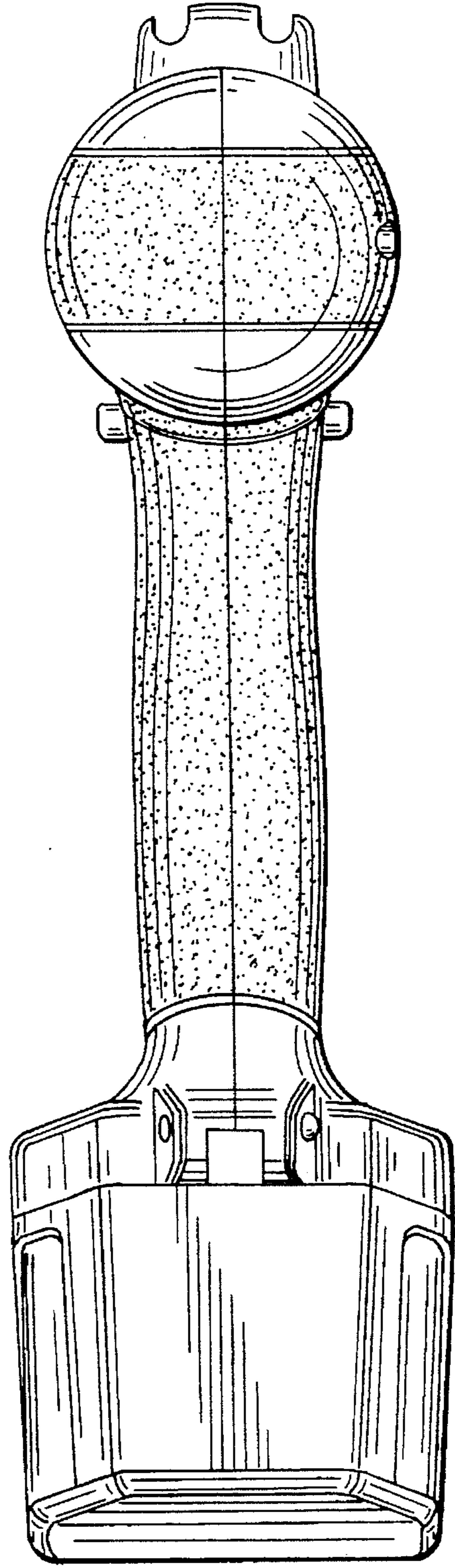


FIG. 5

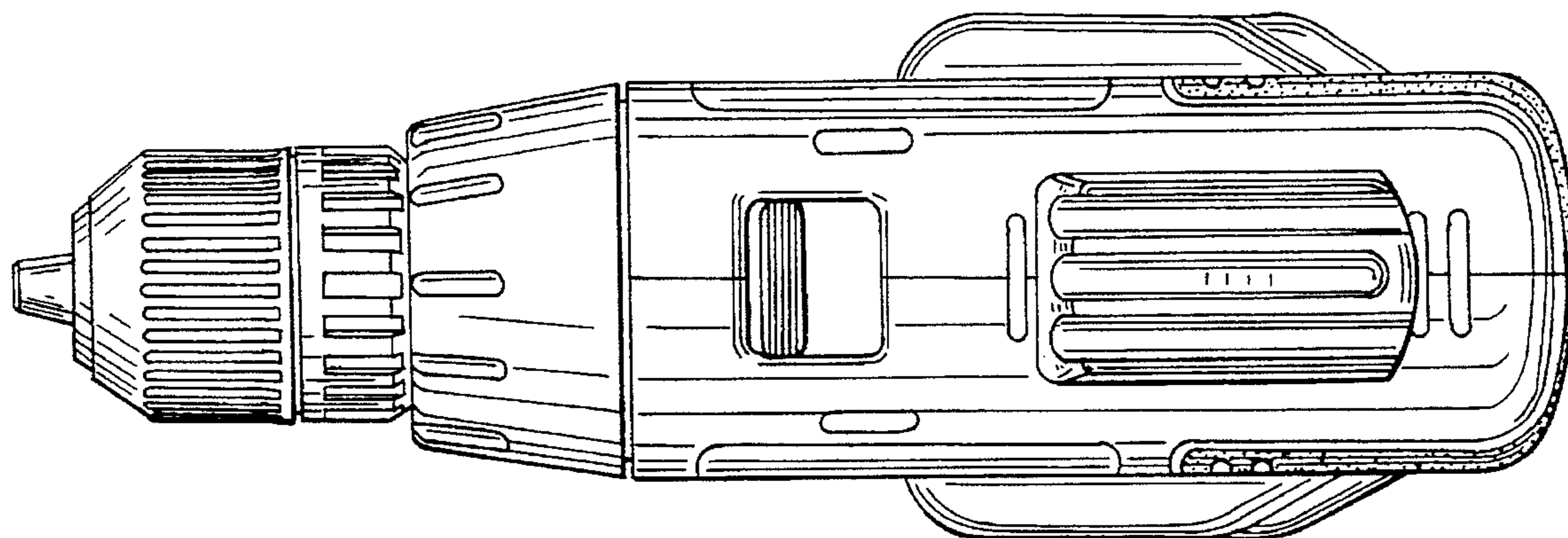


FIG. 6

