



US00D378266S

United States Patent [19]
Buehler

[11] **Patent Number: Des. 378,266**

[45] **Date of Patent: **Mar. 4, 1997**

[54] **COMBINED AUTOMATIC CHRISTMAS TREE WATERER AND COVER THEREFOR**

[76] Inventor: **Horst J. Buehler**, R.R. 1, Box 1194, Shohola, Pa. 18458

[**] Term: **14 Years**

[21] Appl. No.: **19,536**

[22] Filed: **Mar. 4, 1994**

[52] **U.S. Cl.** **D8/1**

[58] **Field of Search** D8/1; D11/130.1, D11/155; 47/48.5, 40.5, 79; 242/519; D23/212, 213, 266; D7/605-607; D3/303, 229; 224/148

[56] **References Cited**

U.S. PATENT DOCUMENTS

D. 319,416	8/1991	Gehrke	D11/130.1
D. 329,027	9/1992	Kodra et al.	D8/1 X
D. 339,034	9/1993	Walcott et al.	D7/607
D. 344,413	2/1994	Bedrosian et al.	D7/607 X
D. 353,520	12/1994	Schwartz	D7/607

OTHER PUBLICATIONS

Rubbermaid, 1992, p. 13, recycling symbol located at right of page.

Primary Examiner—Holly H. Baynham
Attorney, Agent, or Firm—John Gugliotta; David L. Volk

[57] **CLAIM**

The ornamental design for a combined automatic Christmas tree waterer and cover therefor, as shown and described.

DESCRIPTION

FIG. 1 is an exploded perspective view of a combined automatic Christmas tree waterer and cover therefor showing my new design;

FIG. 2 is an opposite end exploded perspective view thereof; and,

FIG. 3 is an environmental perspective view of the claimed article fully assembled.

1 Claim, 3 Drawing Sheets

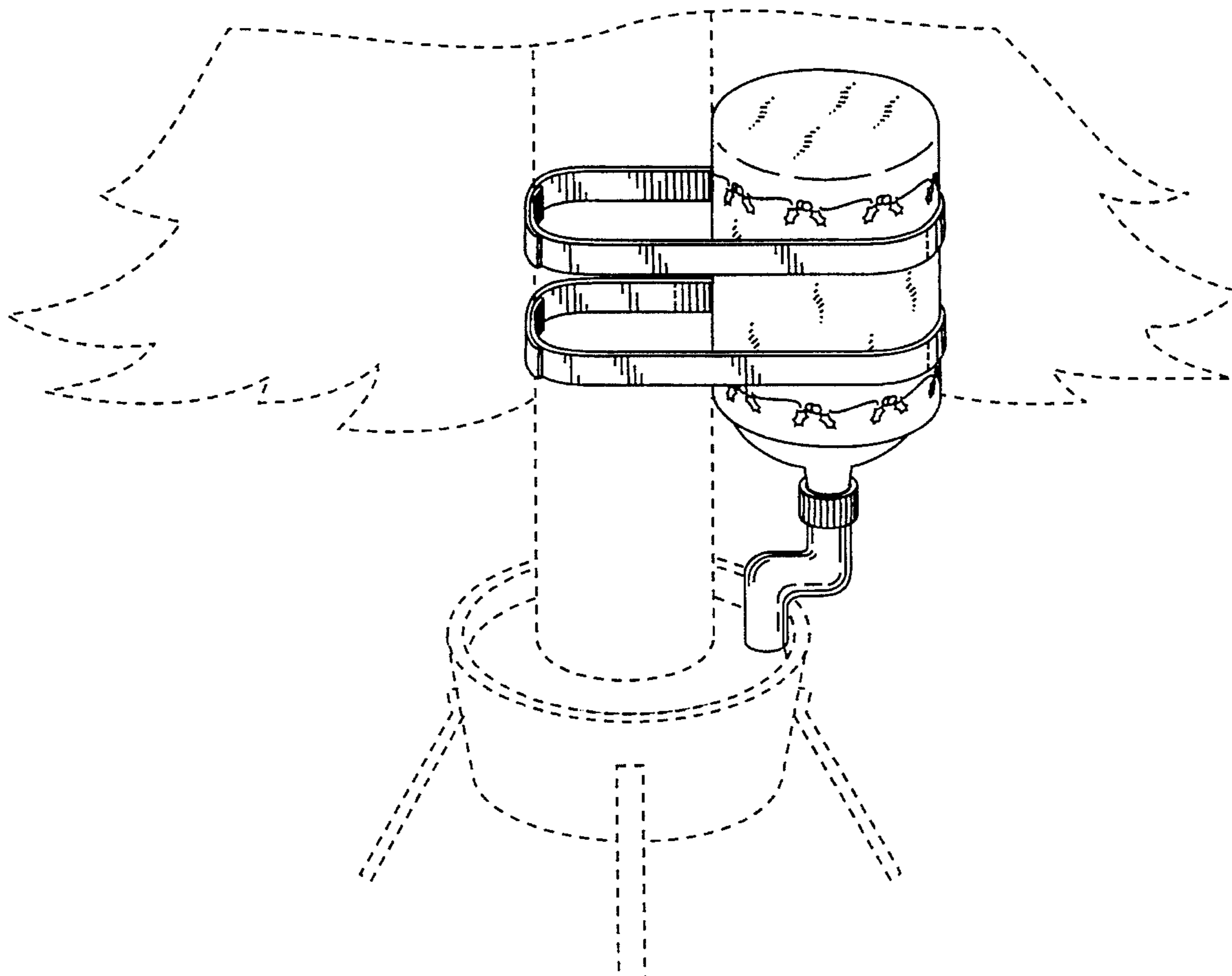


FIG. 1

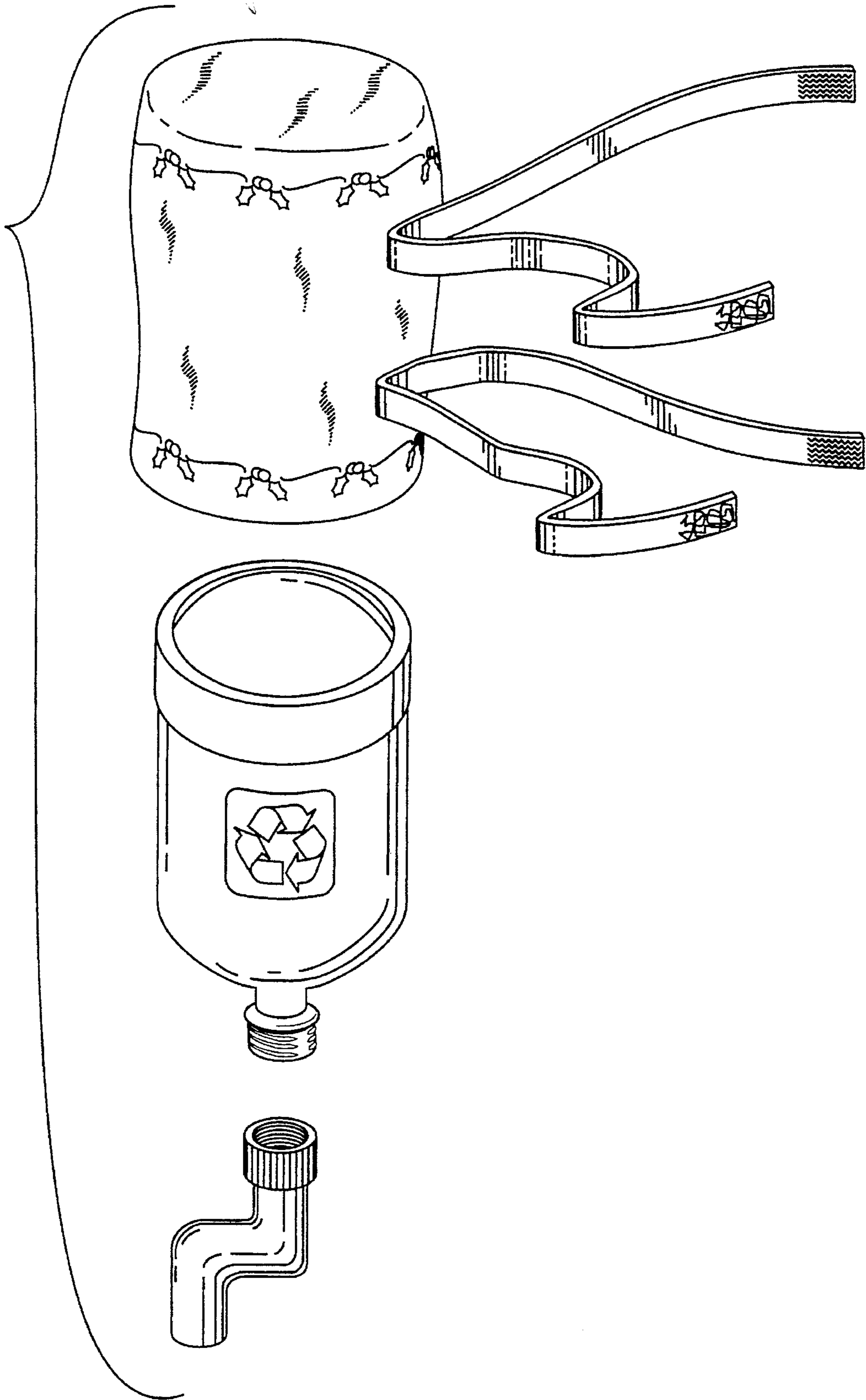


FIG. 2

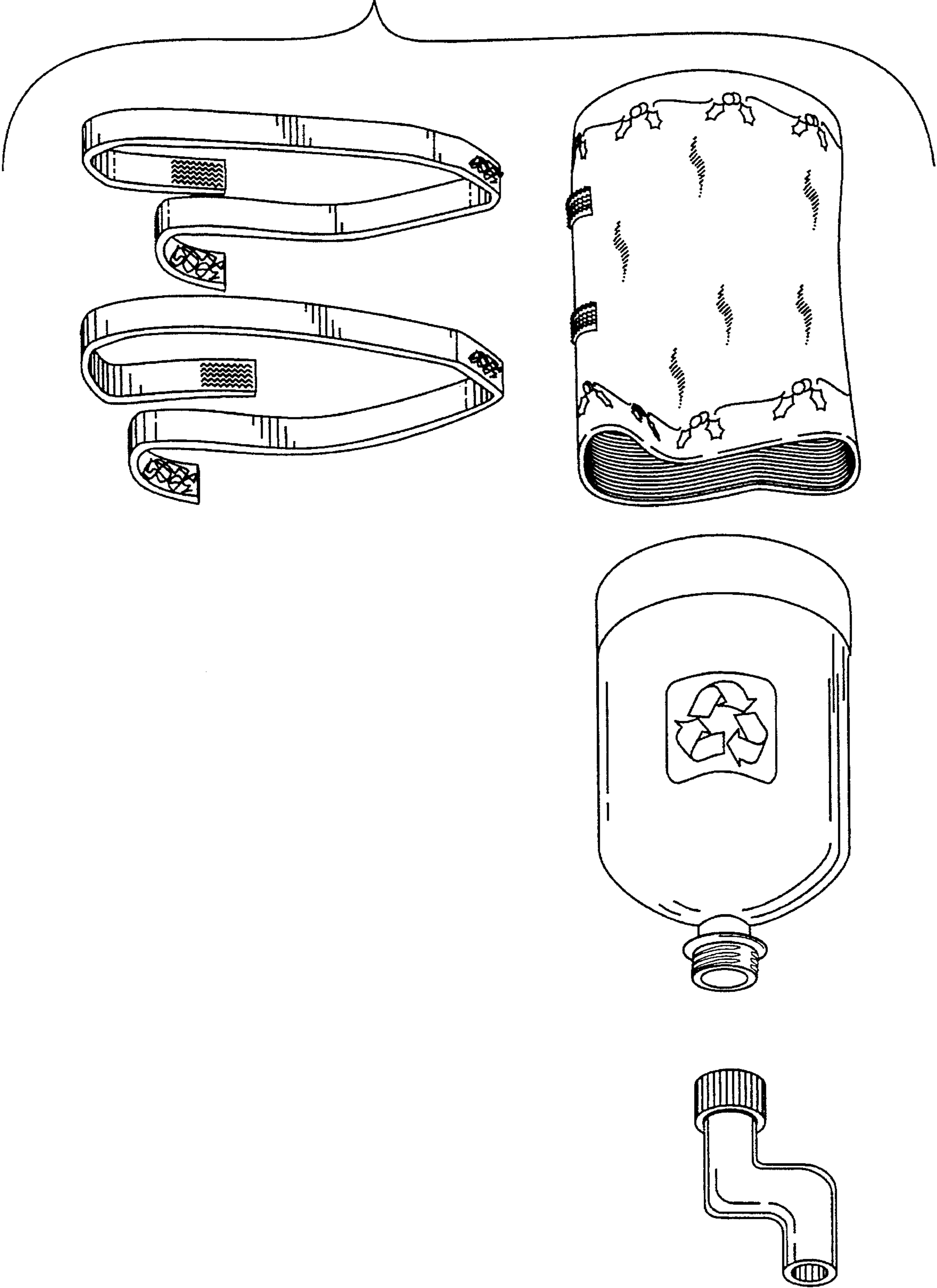


FIG. 3

