



US00D378265S

# United States Patent [19]

Vicard et al.

[11] Patent Number: **Des. 378,265**

[45] Date of Patent: **\*\*Mar. 4, 1997**

[54] **DISPLAY HOLDER FOR A WINE BOTTLE**

4,863,131 9/1989 Kinseley ..... 211/75 X

[75] Inventors: **Jean Vicard**, Cognac; **Gaëtan Clery**, Roullet Saint-Estephe, both of France

### OTHER PUBLICATIONS

French trademark registration No. 93 495 136 registered to Damien Morat on Nov. 30, 1993. Wine Bottle Holder.

[73] Assignee: **Lafitte Tonnellerie D'Art**, Cognac, France

*Primary Examiner*—Terry A. Wallace  
*Attorney, Agent, or Firm*—Fulbright & Jaworski L.L.P.

[\*\*] Term: **14 Years**

### [57] CLAIM

[21] Appl. No.: **36,794**

The ornamental design for a display holder for a wine bottle, as shown and described.

[22] Filed: **Mar. 27, 1995**

### [30] Foreign Application Priority Data

### DESCRIPTION

Sep. 26, 1994 [FR] France ..... 94 5381

[52] **U.S. Cl.** ..... **D7/619**; D6/449

[58] **Field of Search** ..... D7/619-623; D6/449, D6/466, 467; 211/41, 71, 74, 181; 248/102, 105, 107, 133, 146, 153

FIG. 1 is a front, top, left side perspective view of a display holder of a wine bottle showing our new design;

FIG. 2 is a top plan view thereof;

FIG. 3 is a bottom plan view thereof;

FIG. 4 is a side elevation view thereof, the opposite side being a mirror image;

FIG. 5 is a front elevation view thereof;

FIG. 6 is a rear elevation view thereof; and,

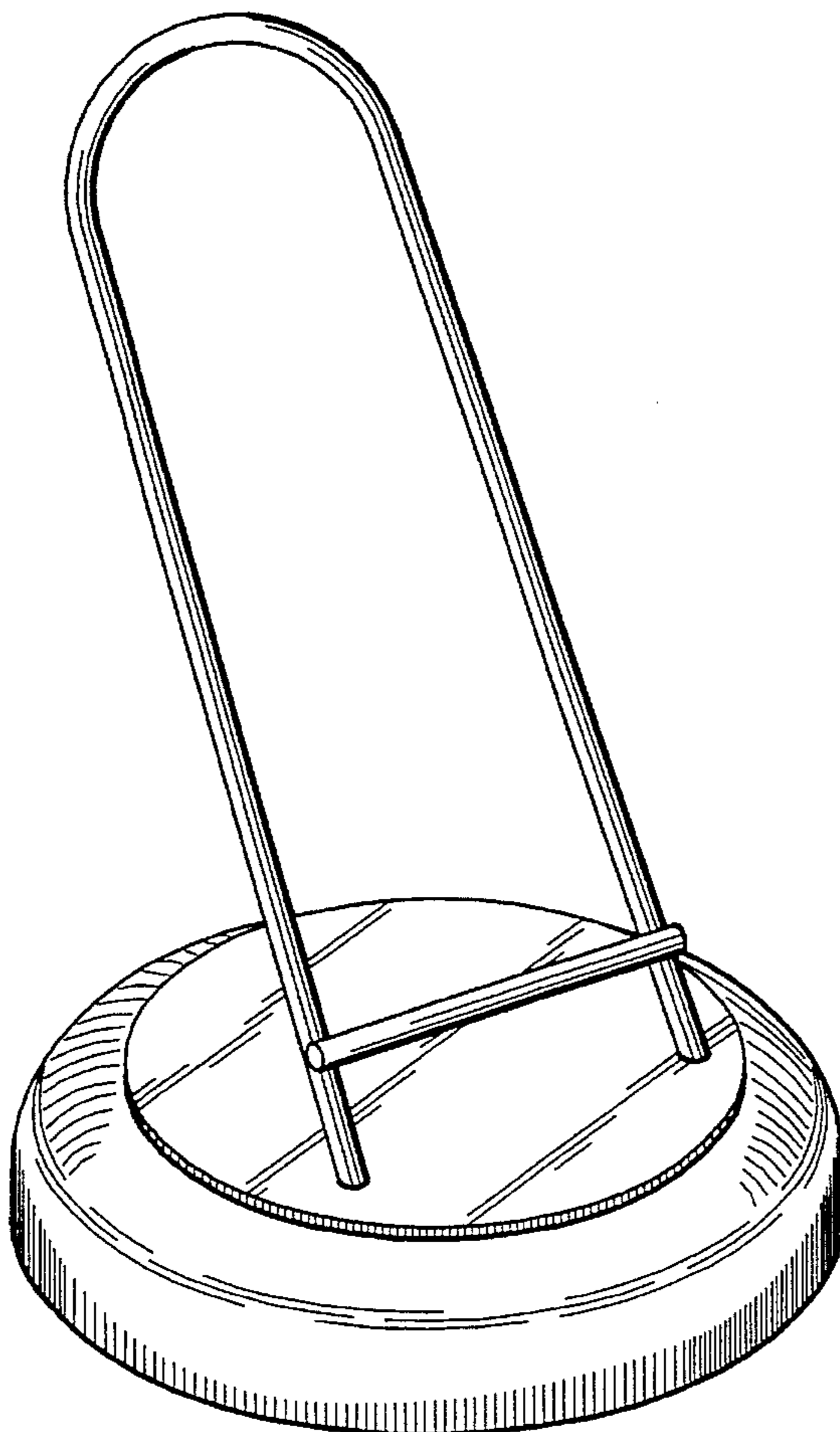
FIG. 7 is a front perspective view thereof with the wine bottle shown in broken lines for illustrative purposes only and forming no part of the claimed design.

### [56] References Cited

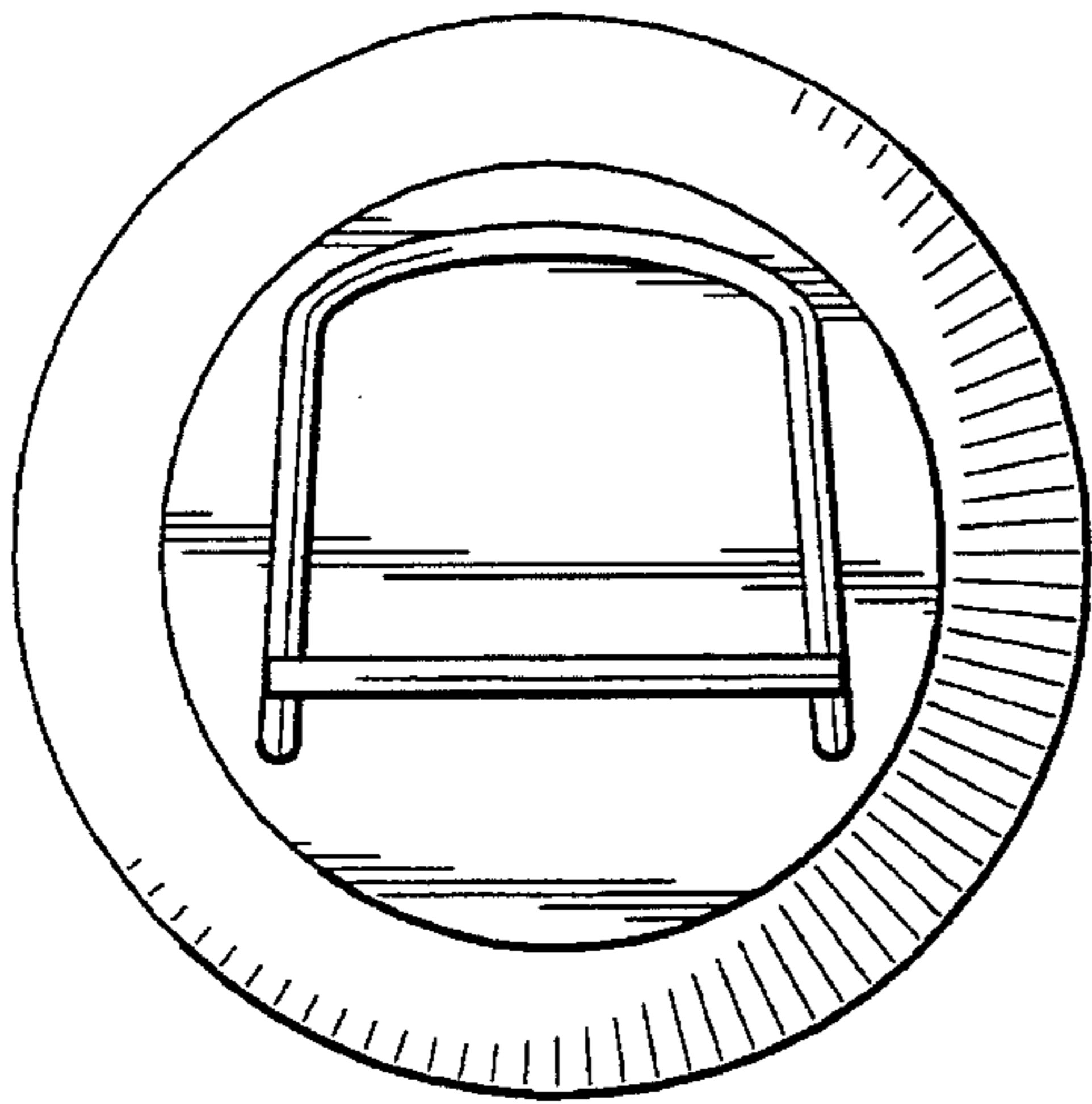
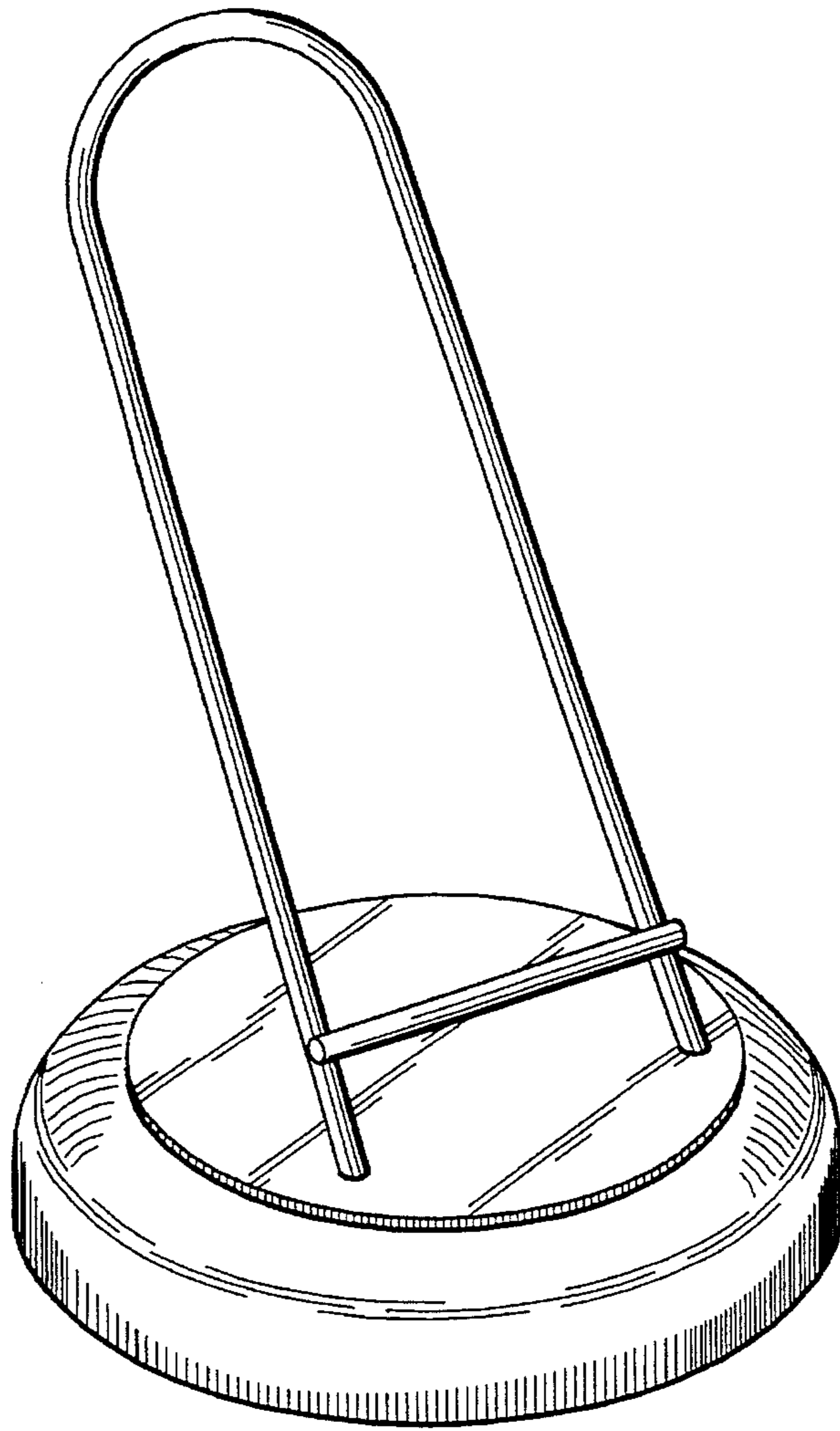
#### U.S. PATENT DOCUMENTS

D. 42,656	6/1912	Wacha	.....	D6/449
D. 161,813	2/1951	Augat	.....	D6/466
D. 325,850	5/1992	Chaney	.....	D7/619
4,496,124	1/1985	Cole	.....	D7/619 X
4,515,334	5/1985	Horne	.....	D7/619 X

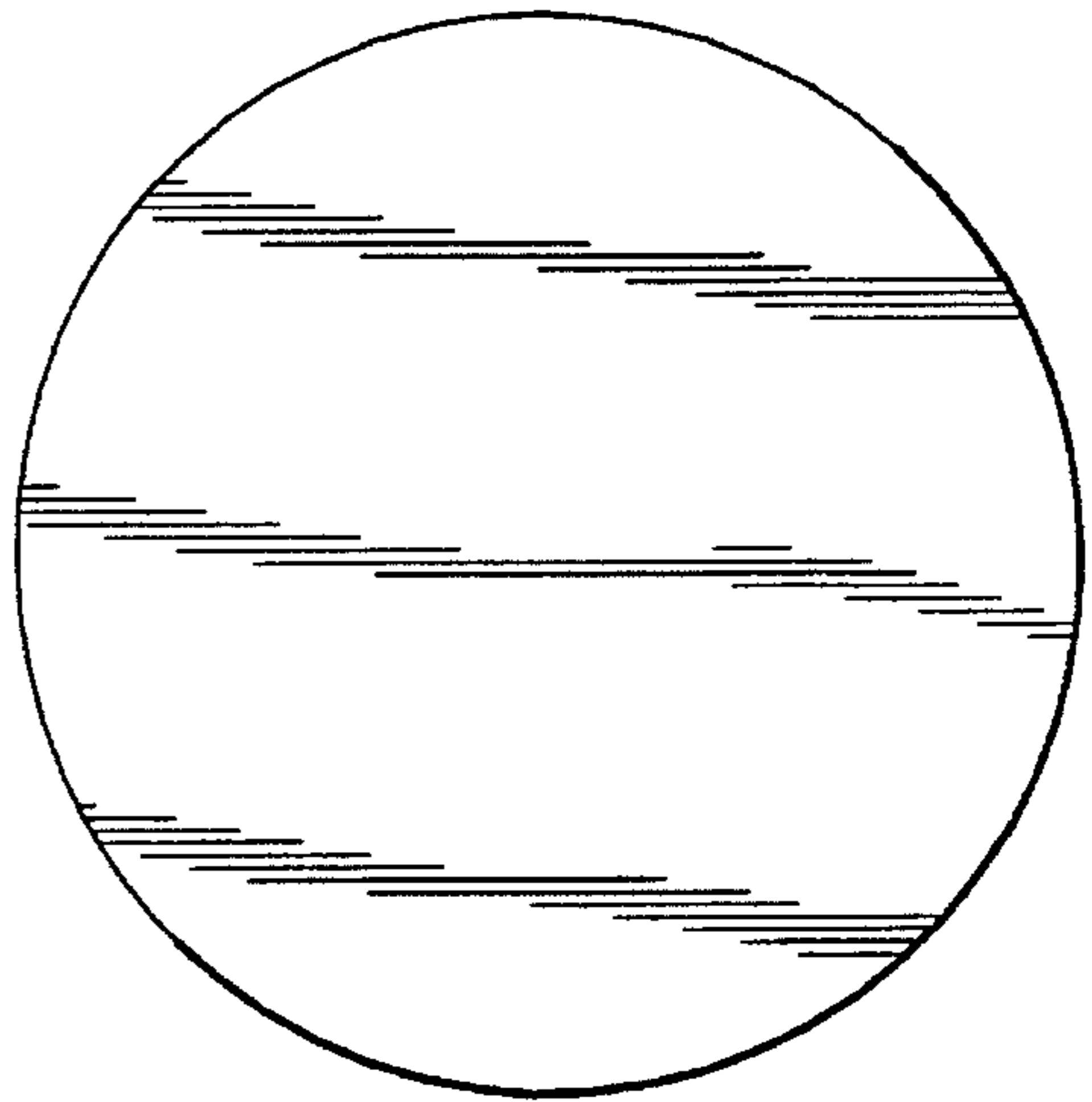
**1 Claim, 3 Drawing Sheets**



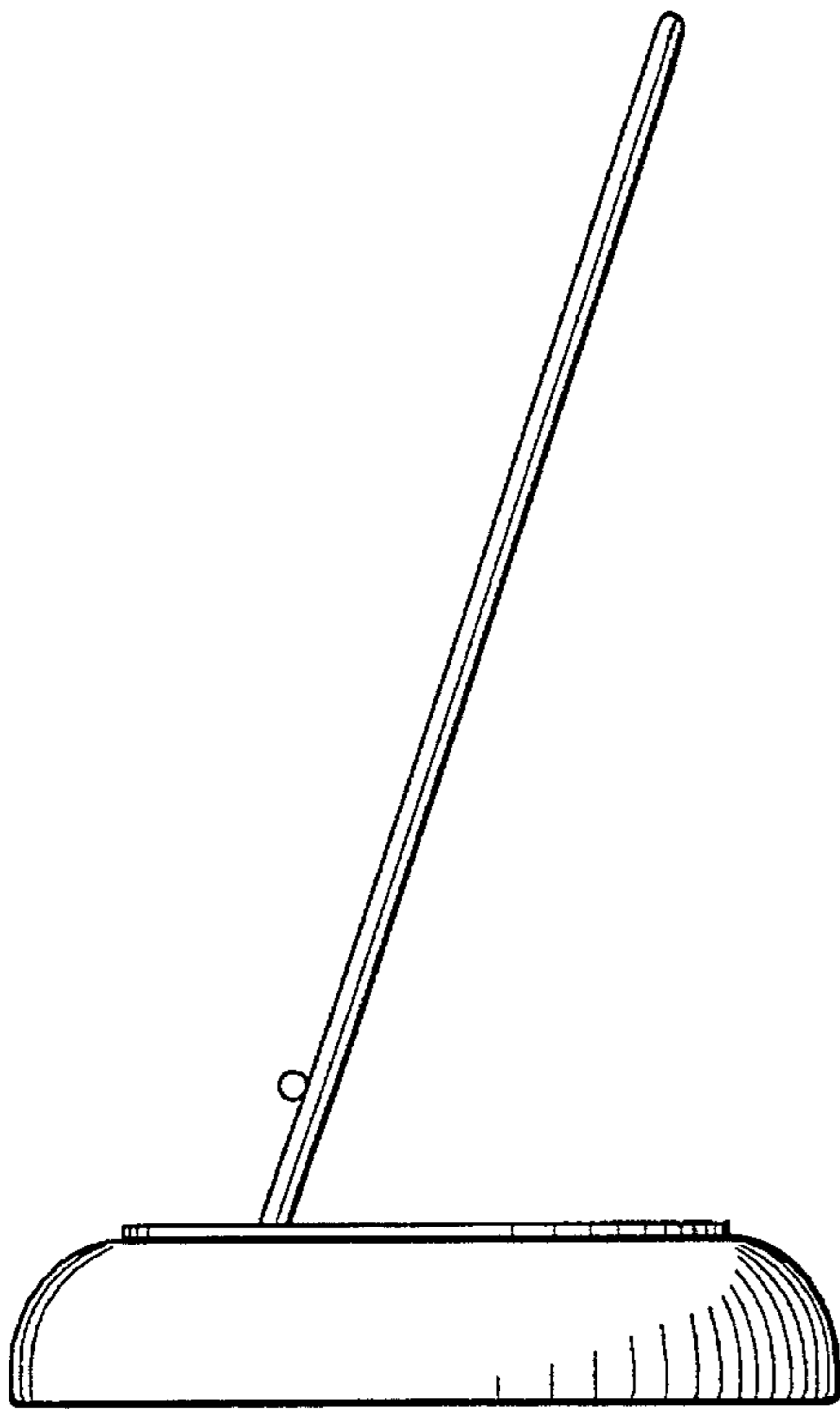
*Fig. 1*



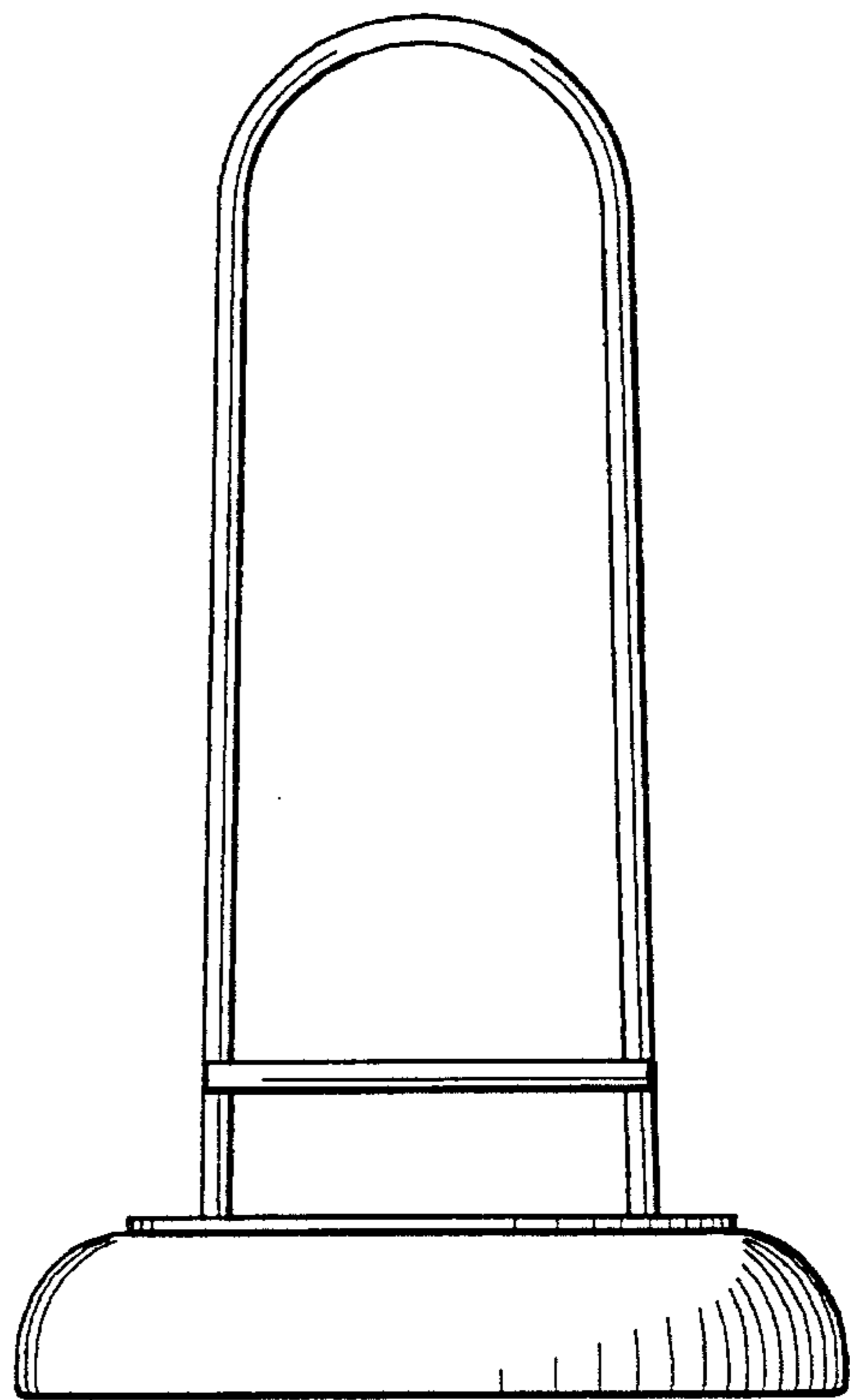
*Fig. 2*



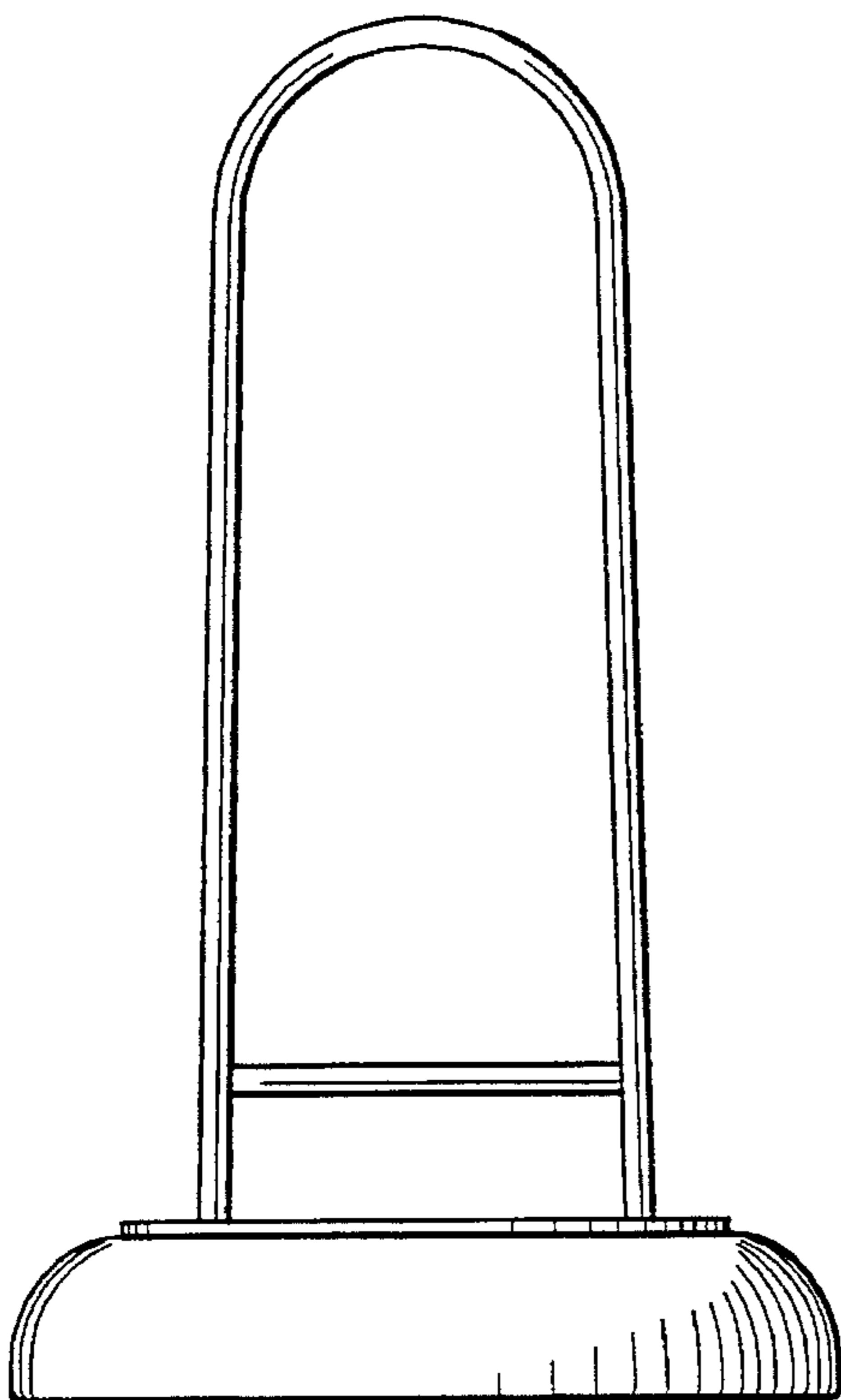
*Fig. 3*



*Fig. 4*



*Fig. 5*



*Fig. 6*

*Fig. 7*

