



US00D378263S

United States Patent [19]

[11] Patent Number: **Des. 378,263**

Lage

[45] Date of Patent: ****Mar. 4, 1997**

[54] **BEVERAGE MUG WITH SURFACE PATTERN**

[75] Inventor: **David P. Lage**, St. Louis County, Mo.

[73] Assignee: **Quick Point, Inc.**, Fenton, Mo.

[**] Term: **14 Years**

[21] Appl. No.: **40,856**

[22] Filed: **Jun. 29, 1995**

[52] U.S. Cl. **D7/536; D7/515**

[58] Field of Search **D7/505, 507, 509, D7/510, 511, 514, 515, 529, 523, 532, 533, 534, 535, 536, 516, 623; 215/387, 396**

[56] **References Cited**

U.S. PATENT DOCUMENTS

D. 7,342	3/1874	Bakewell	D7/515
D. 19,694	3/1890	Proeger	D7/507
D. 247,601	3/1978	Schreckengost	D7/536
D. 307,089	4/1990	Lage	D7/536
D. 356,925	4/1995	Wonder	D7/536
2,299,730	10/1942	Bornstein	D7/536 X

OTHER PUBLICATIONS

Mug #1639 Capped, Monongah Glass Co. Catalog Apr. 1st, 1970, p. 88.

Mug #3585, Monongah Glass Co. Catalog Apr. 1st, 1920 p. 67.

Quick Point Catalog, 1994, Title page and pp. 4-19.

Primary Examiner—M. N. Pandozzi
Attorney, Agent, or Firm—Polster, Lieder, Woodruff & Lucchesi, L.C.

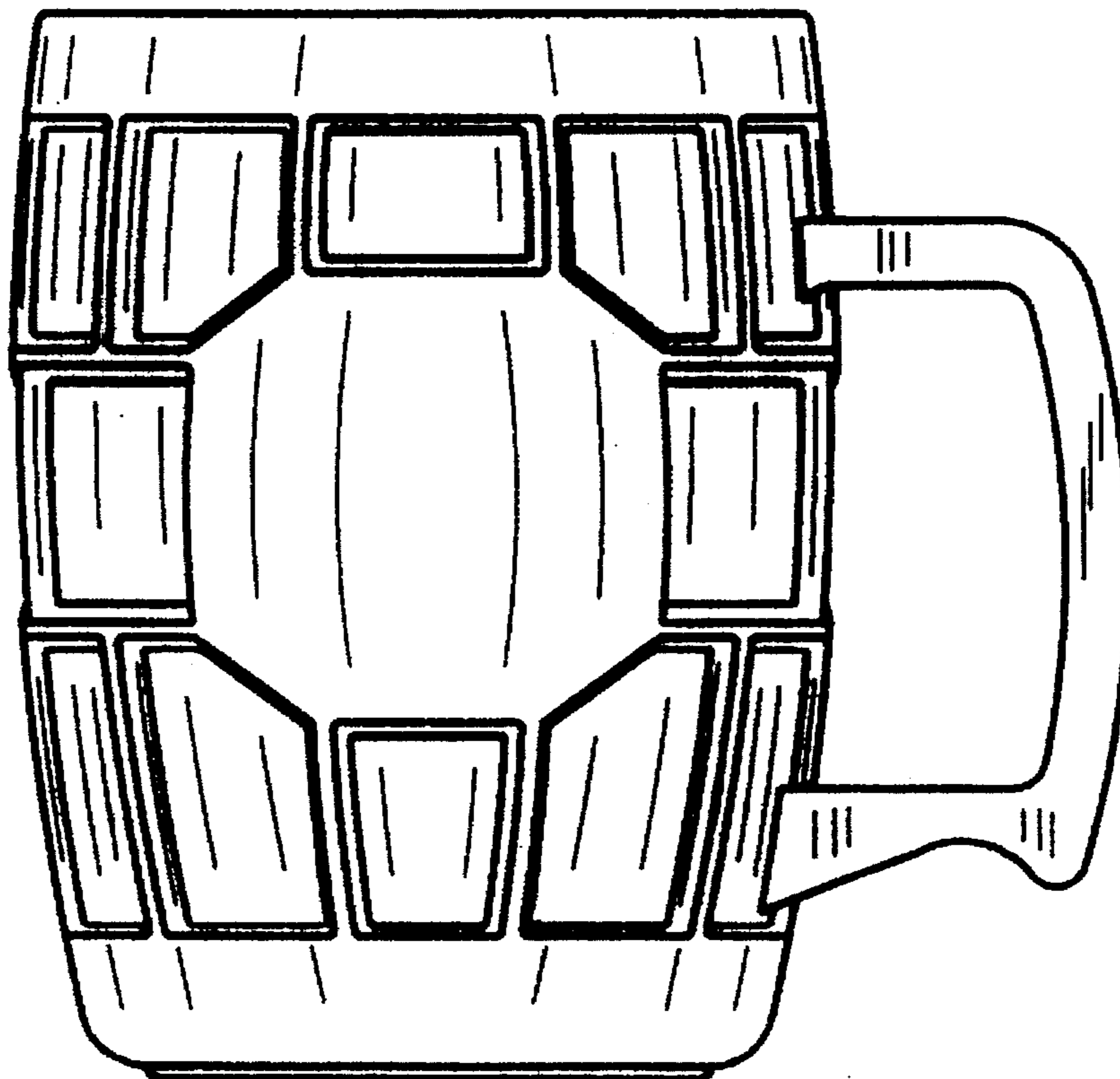
[57] **CLAIM**

The ornamental design for a beverage mug with surface pattern, as shown and described.

DESCRIPTION

FIG. 1 is a top and front perspective view showing the beverage mug with surface pattern of the new design; FIG. 2 is a front elevational view thereof; FIG. 3 is a rear elevational view thereof; FIG. 4 is a right side elevational view thereof; FIG. 5 is a left side elevational view thereof; FIG. 6 is a top plan view thereof; FIG. 7 is a bottom plan view thereof; FIG. 8 is a sectional view taken along line 8—8 of FIG. 2, at an enlarged scale; FIG. 9 is a sectional view taken along line 9—9 of FIG. 2, at an enlarged scale; and, FIG. 10 is a sectional view taken along line 10—10 of FIG. 2, at an enlarged scale.

1 Claim, 3 Drawing Sheets



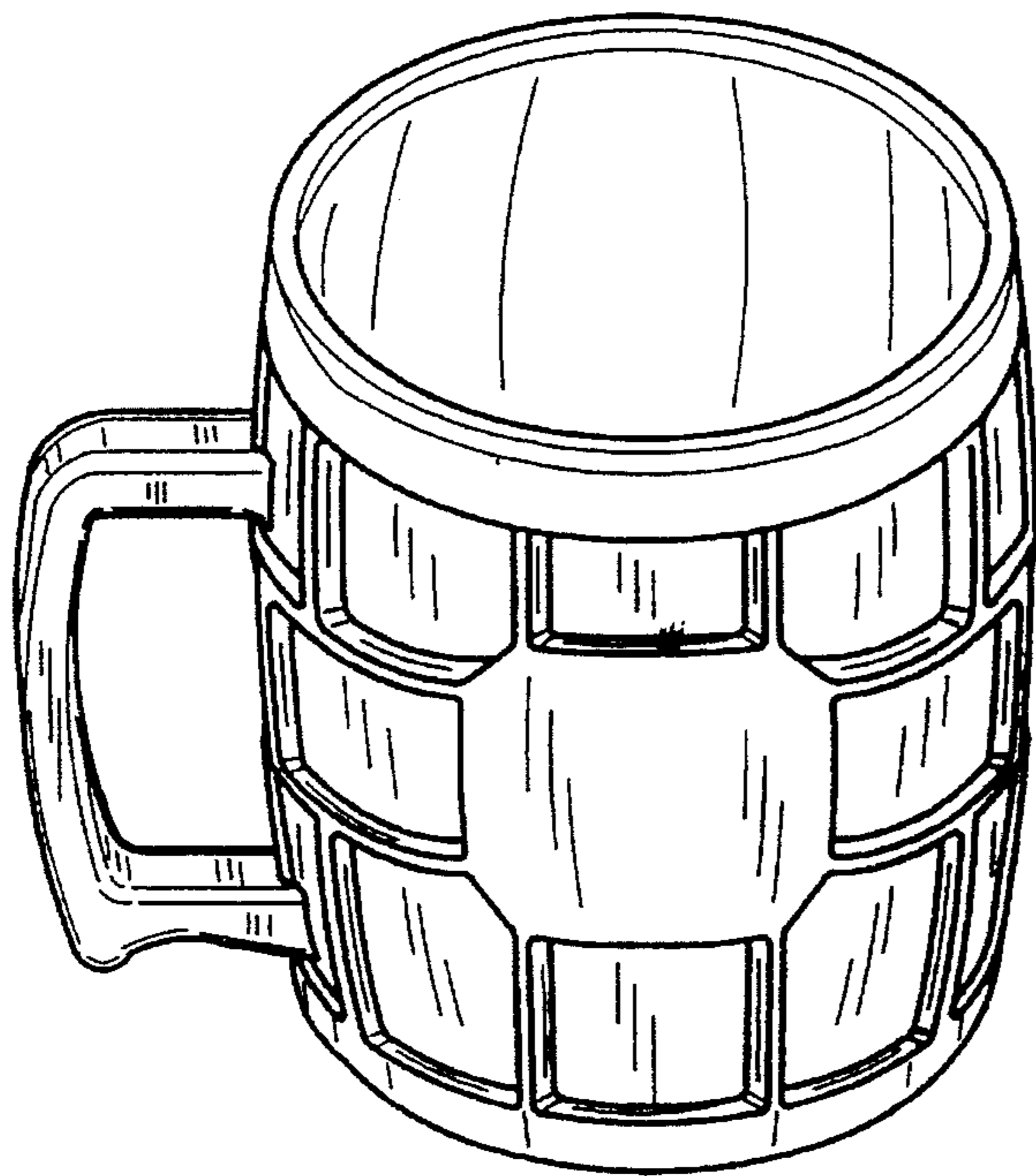


FIG. 1

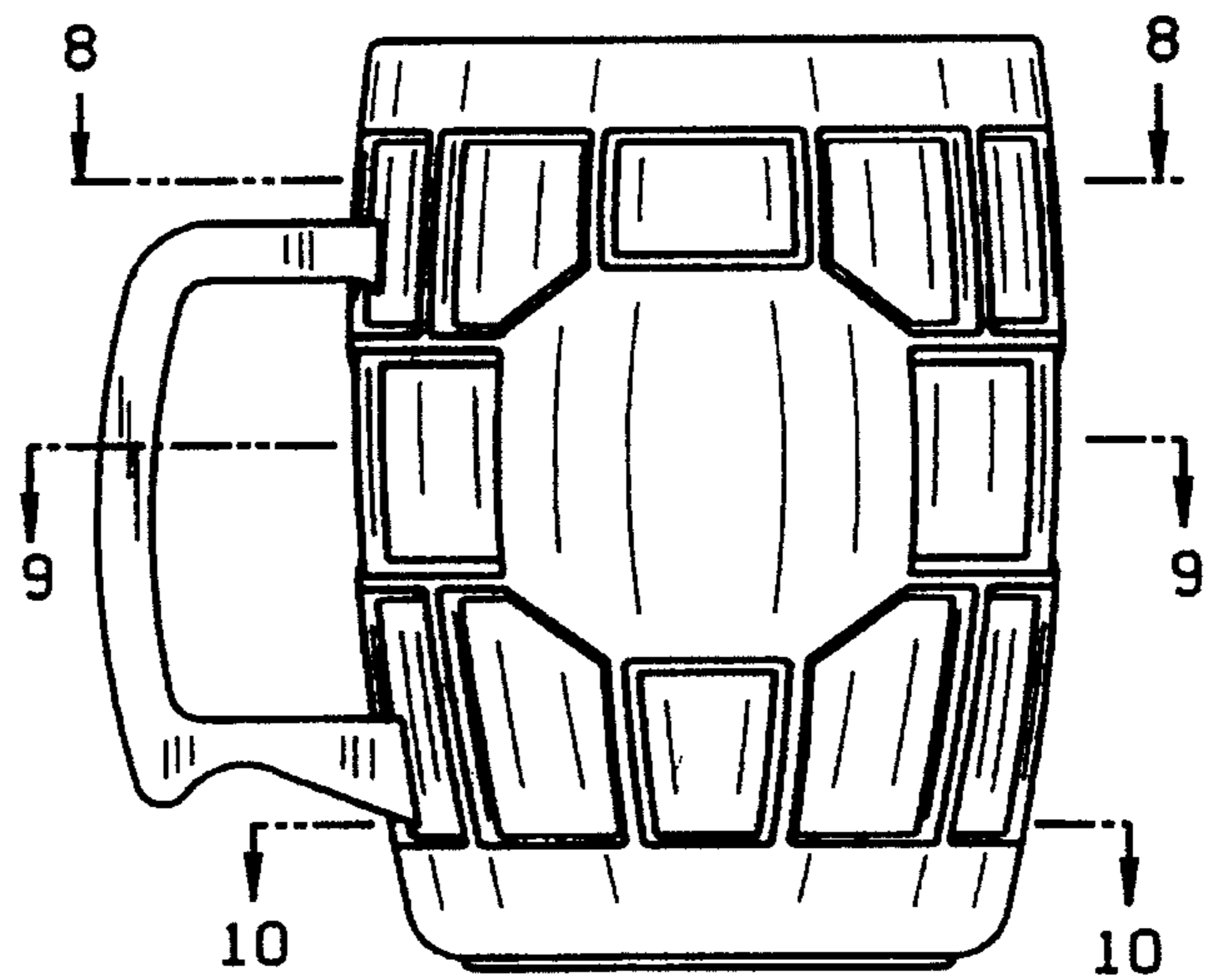


FIG. 2

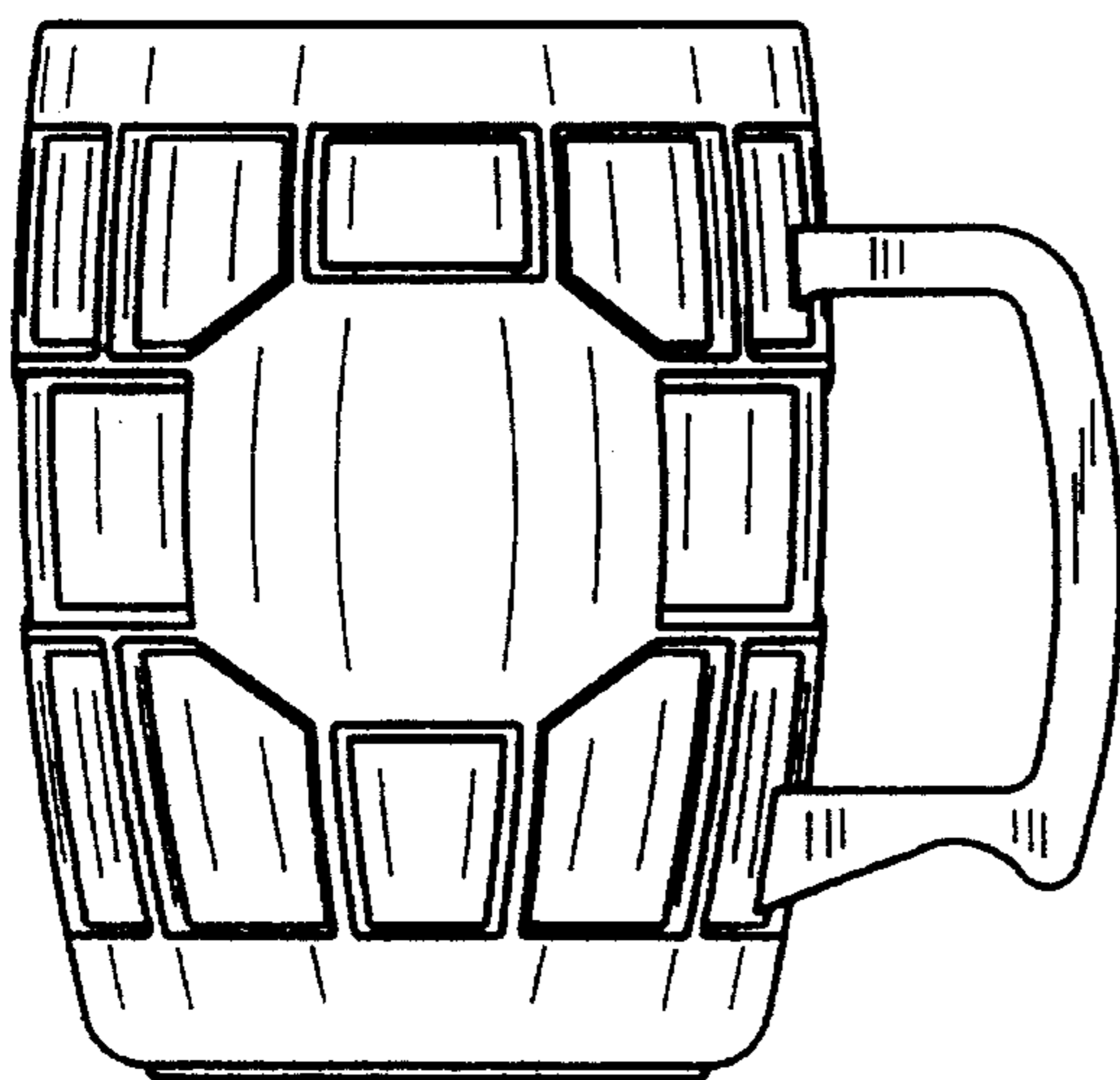


FIG. 3

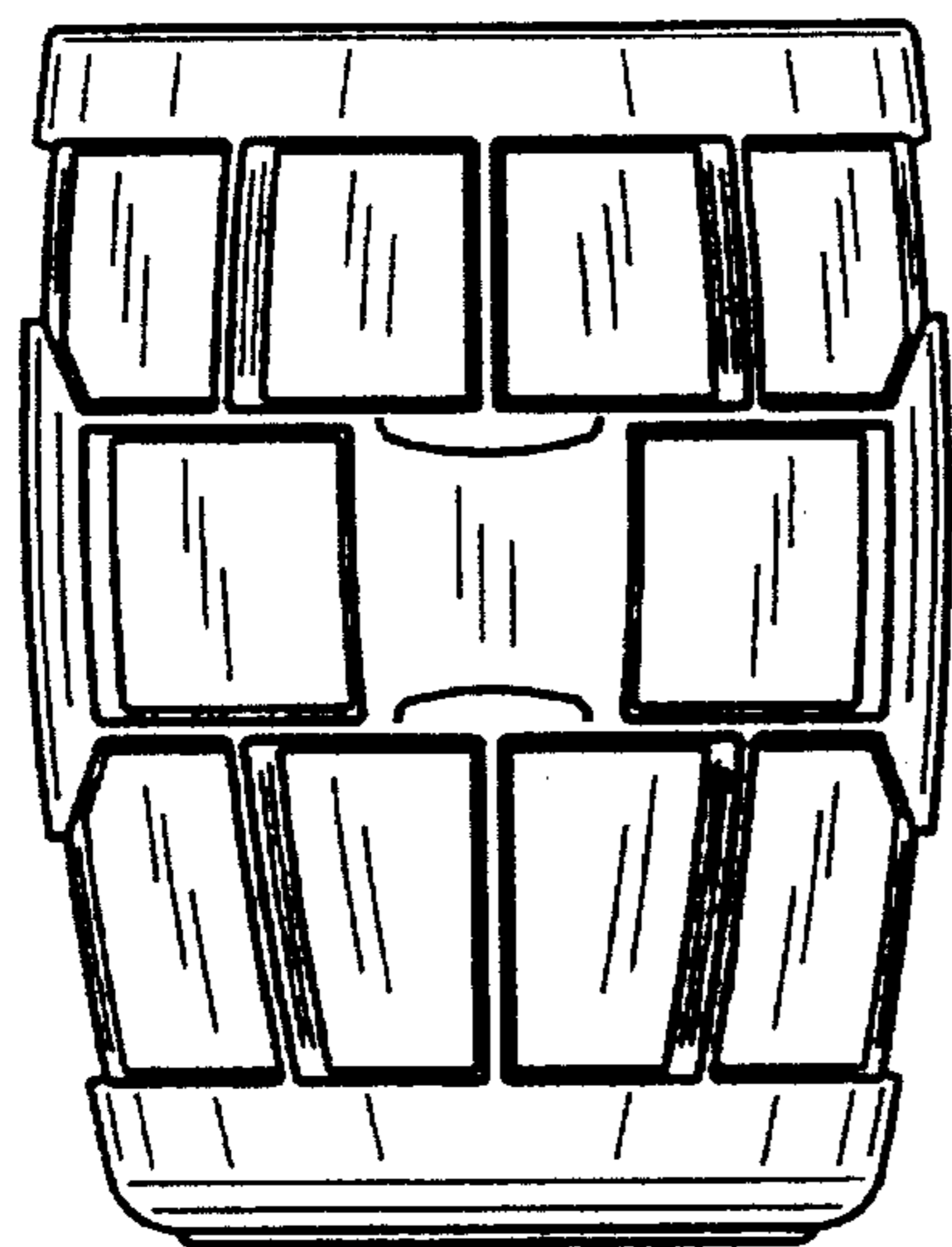


FIG. 4

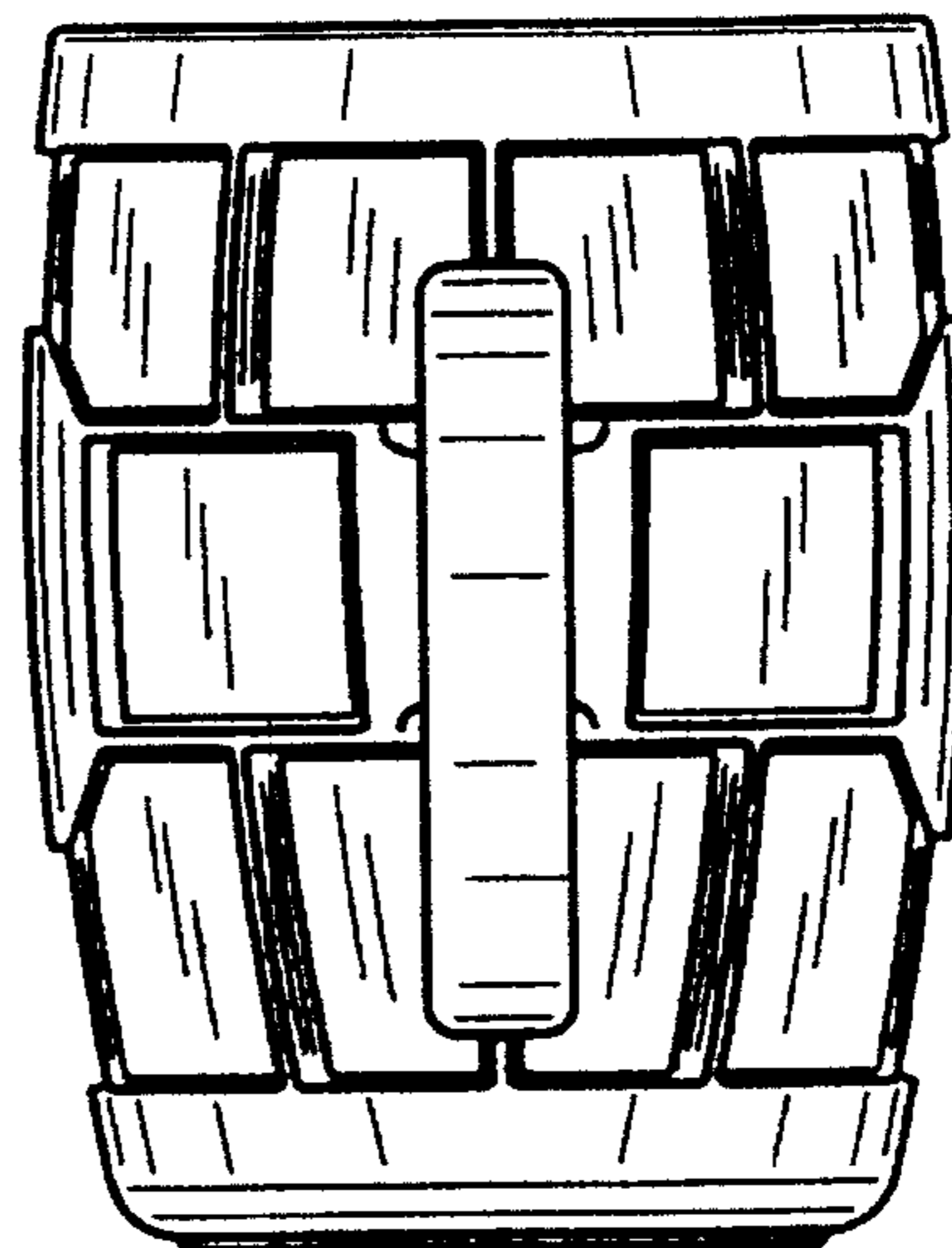


FIG. 5

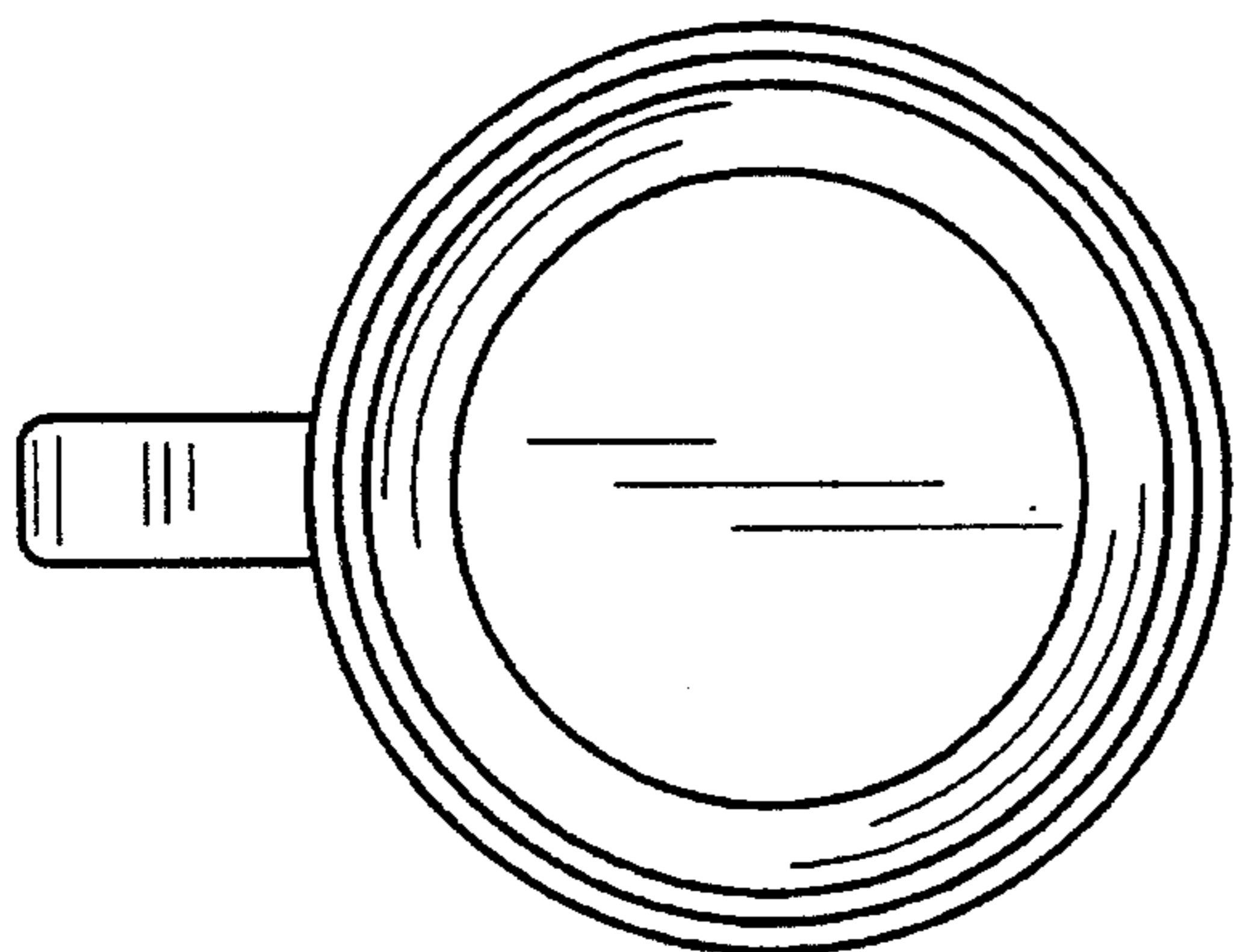


FIG. 6

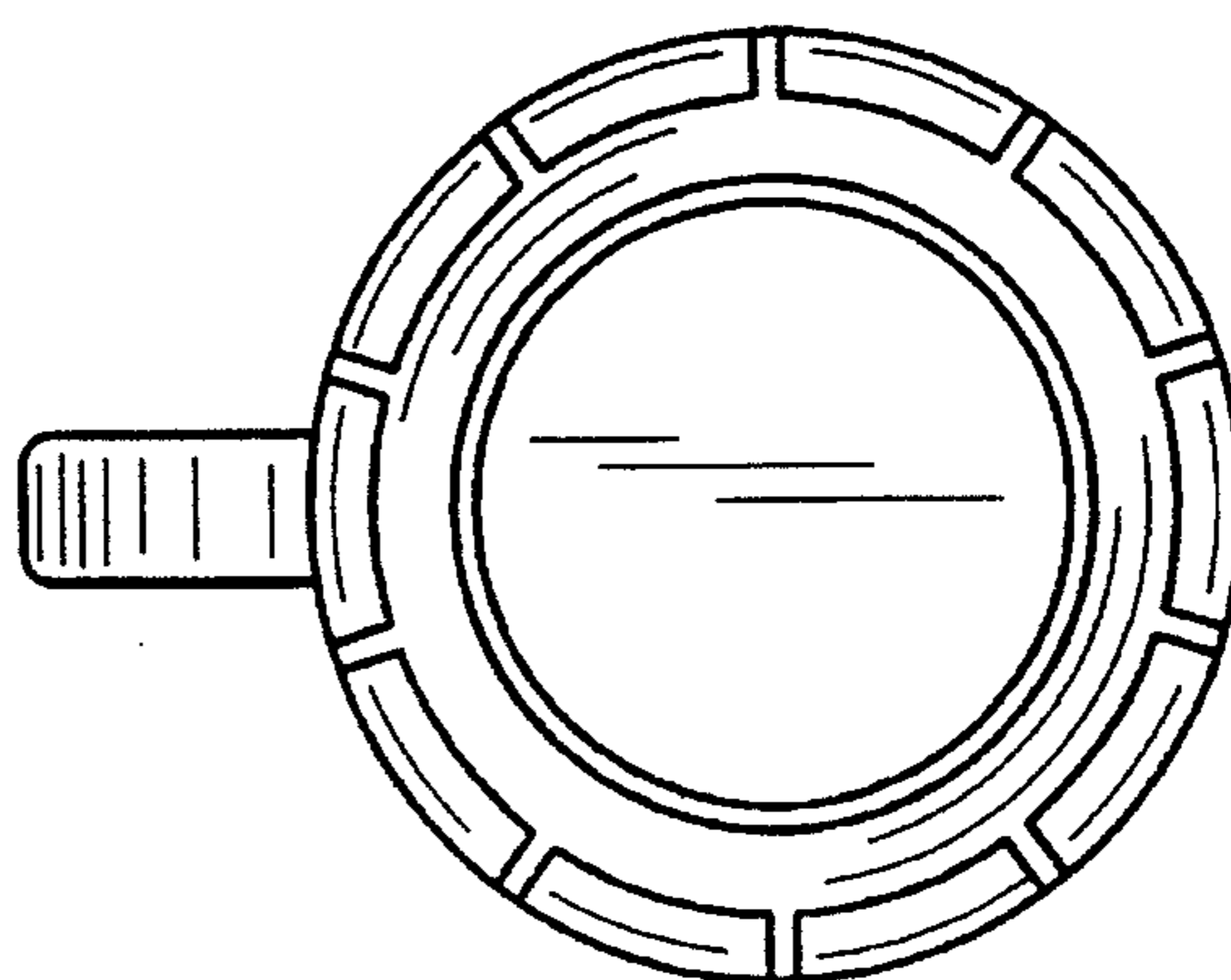


FIG. 7

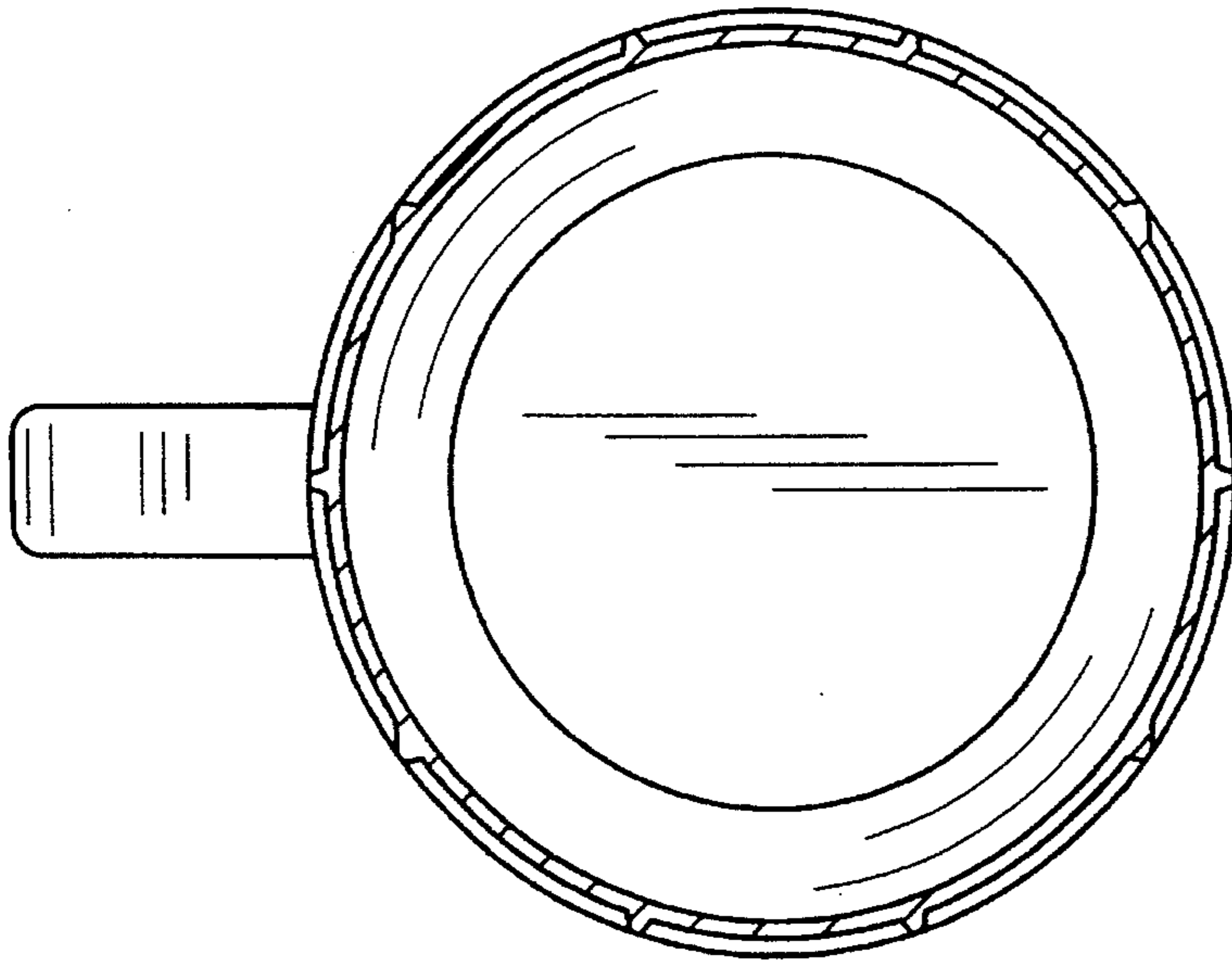


FIG. 8

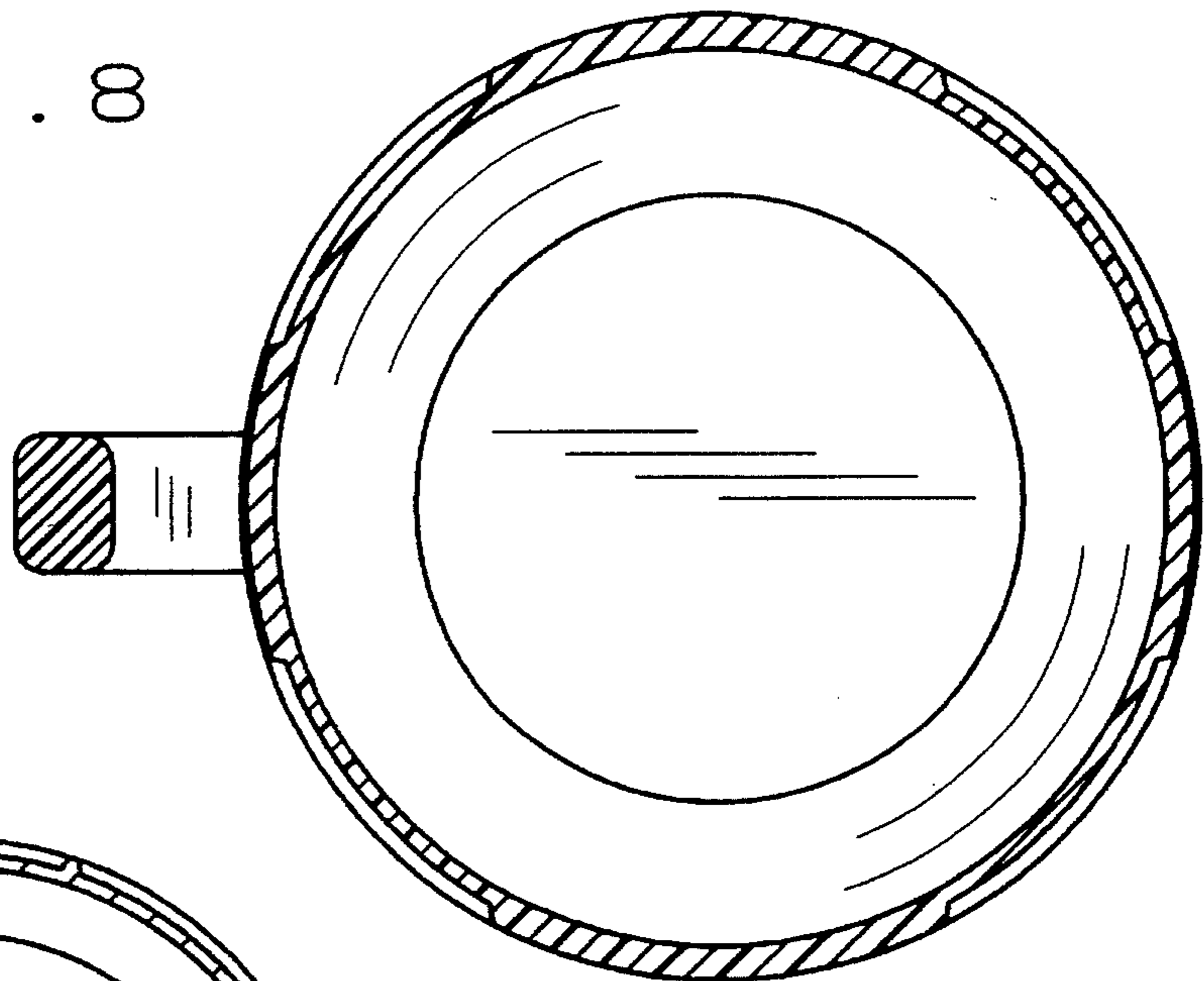


FIG. 9

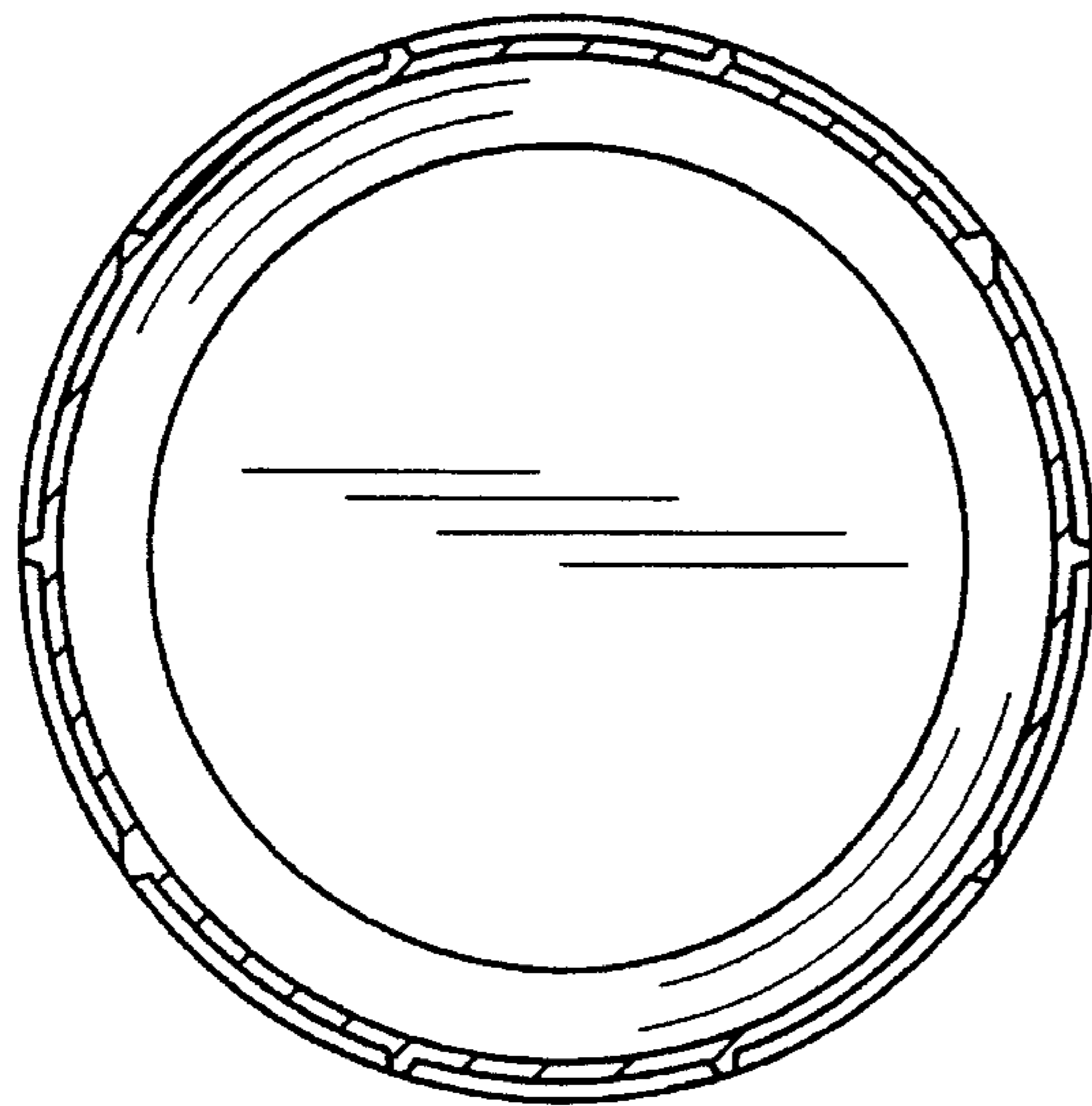


FIG. 10