



US00D378261S

**United States Patent** [19]  
**Jørgensen**

[11] **Patent Number: Des. 378,261**  
[45] **Date of Patent: \*\*Mar. 4, 1997**

[54] **COFFEE MAKER**

2,226,146 12/1940 Smith ..... 220/718  
4,365,544 12/1982 Howitt ..... D7/317 X

[75] Inventor: **Carsten Jørgensen**, Kriens, Denmark

**OTHER PUBLICATIONS**

[73] Assignee: **Pi-Design AG**, Triengen, Switzerland

Coffee Pot (Bottom) King Insulated Pitchers Sell Sheet of Beverage Servers YN-Hwang of Taiwan 1990 Insta Brewer, Housewares Feb. 1974, p. 37.  
Press Filter Coffeemaker, Tableware International, p. 52 Nov. 1986.

[\*\*] Term: **14 Years**

[21] Appl. No.: **28,603**

*Primary Examiner*—C. H. Holtje  
*Assistant Examiner*—M. N. Pandozzi  
*Attorney, Agent, or Firm*—Gipple & Hale

[22] Filed: **Sep. 16, 1994**

[30] **Foreign Application Priority Data**

[57] **CLAIM**

Mar. 16, 1994 [DK] Denmark ..... 242/94

[52] **U.S. Cl.** ..... **D7/319; D7/318; D7/622**

[58] **Field of Search** ..... D7/300, 302, 312,  
D7/316, 317, 318, 319, 320, 322, 321,  
309, 310, 619, 620, 629, 622; 220/718;  
206/446

The ornamental design for a coffee maker, as shown and described.

**DESCRIPTION**

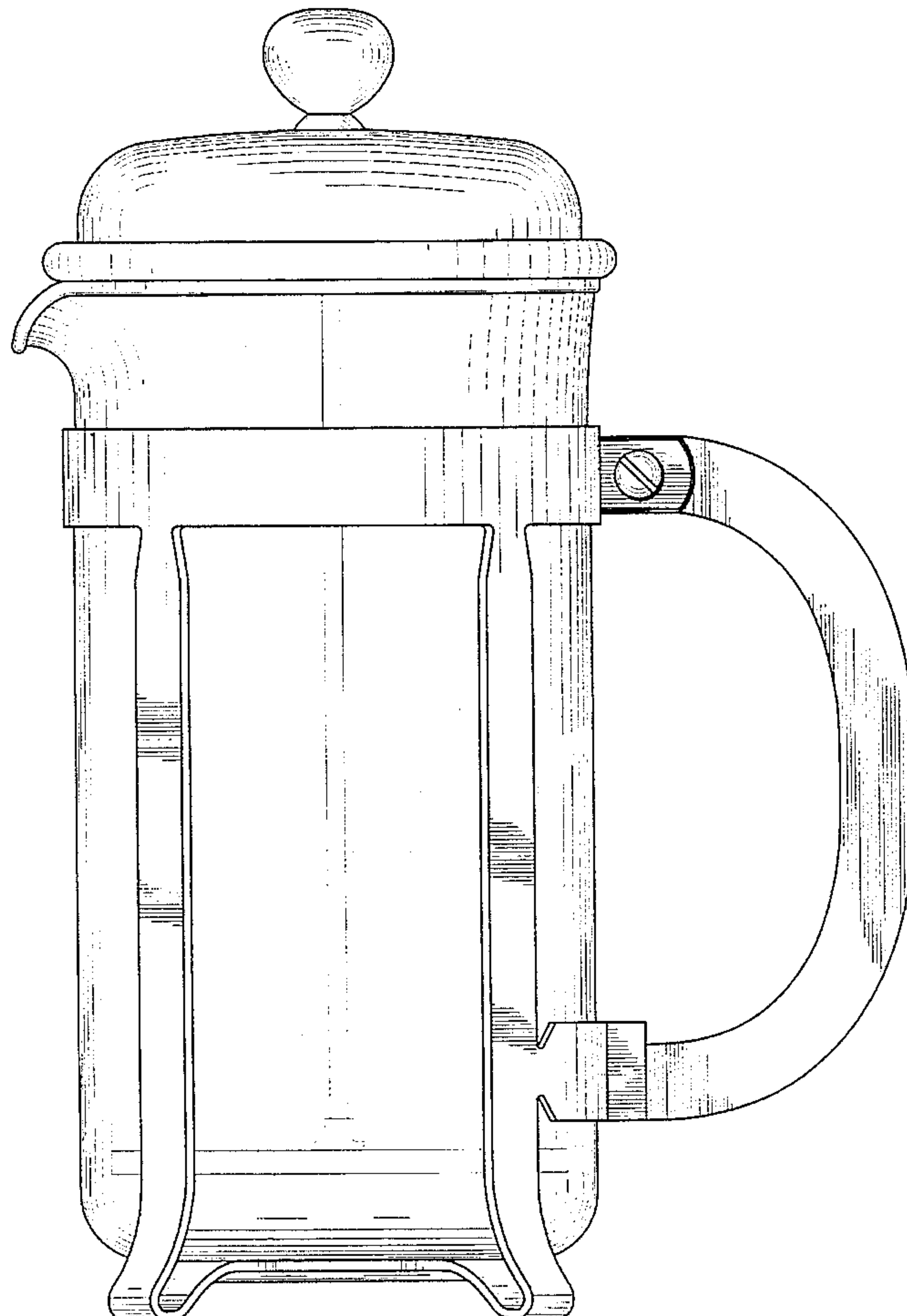
[56] **References Cited**

**U.S. PATENT DOCUMENTS**

D. 52,019 5/1918 Biette ..... D7/310  
D. 107,644 11/1937 Geffner ..... D7/310  
D. 181,143 10/1957 Gundelfinger ..... D7/317 X  
D. 343,414 12/1993 Jorgensen ..... D7/300  
1,782,962 11/1930 Hobbs ..... 206/446

FIG. 1 is a left side view of a coffee maker showing my new design;  
FIG. 2 is a right side view thereof;  
FIG. 3 is a front view thereof;  
FIG. 4 is a rear view thereof;  
FIG. 5 is a top view thereof;  
FIG. 6 is a bottom view thereof; and,  
FIG. 7 is a perspective view thereof.

**1 Claim, 7 Drawing Sheets**



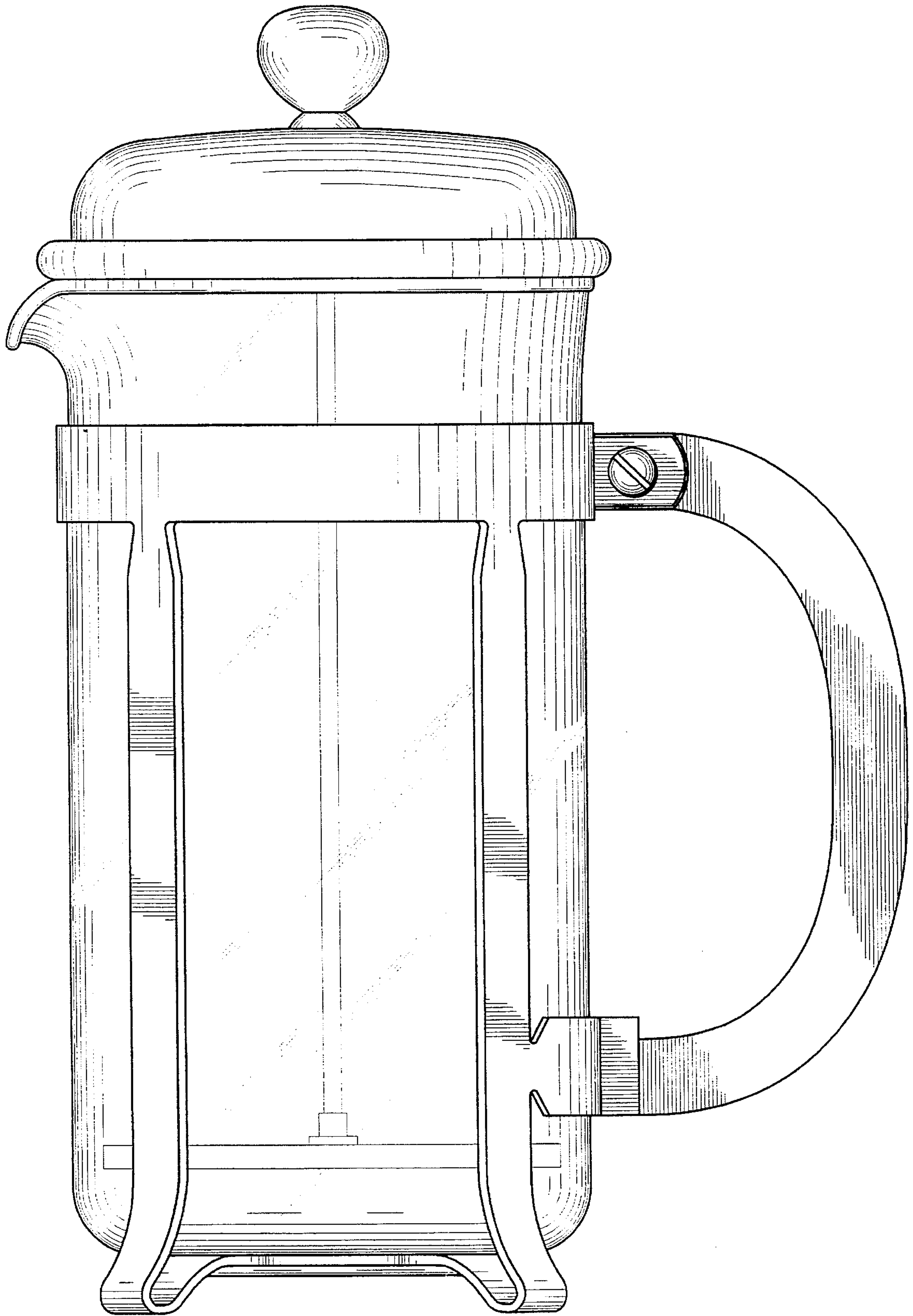


FIG. 1

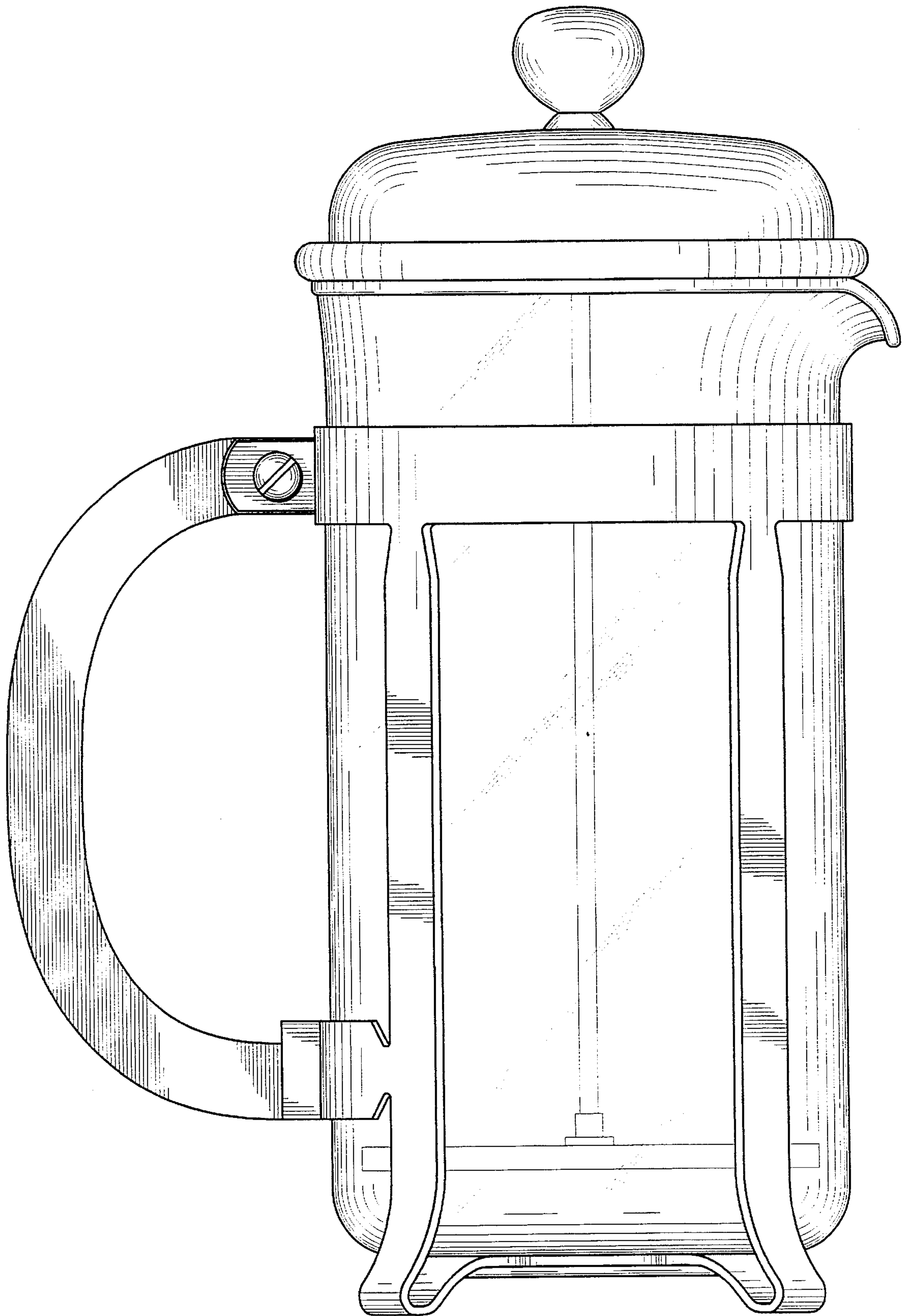


FIG. 2



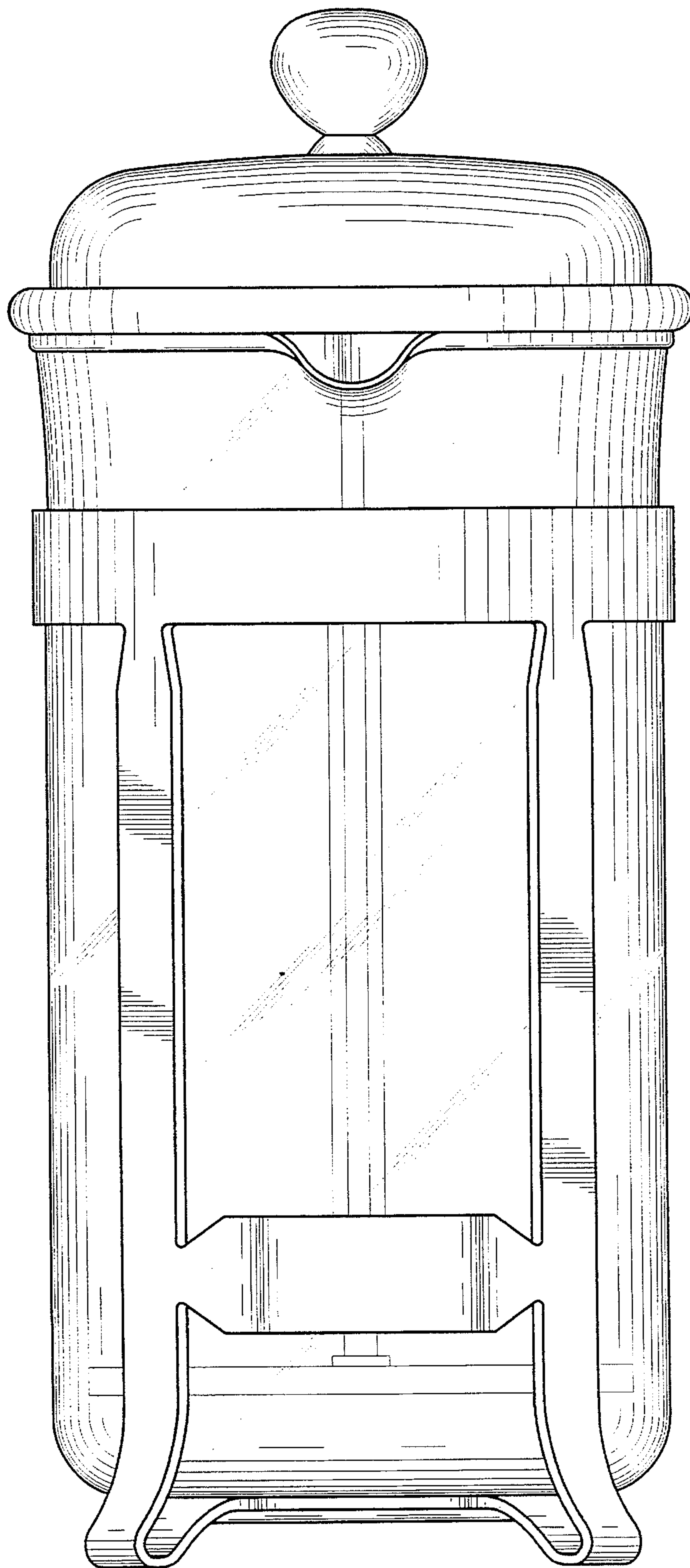


FIG. 3

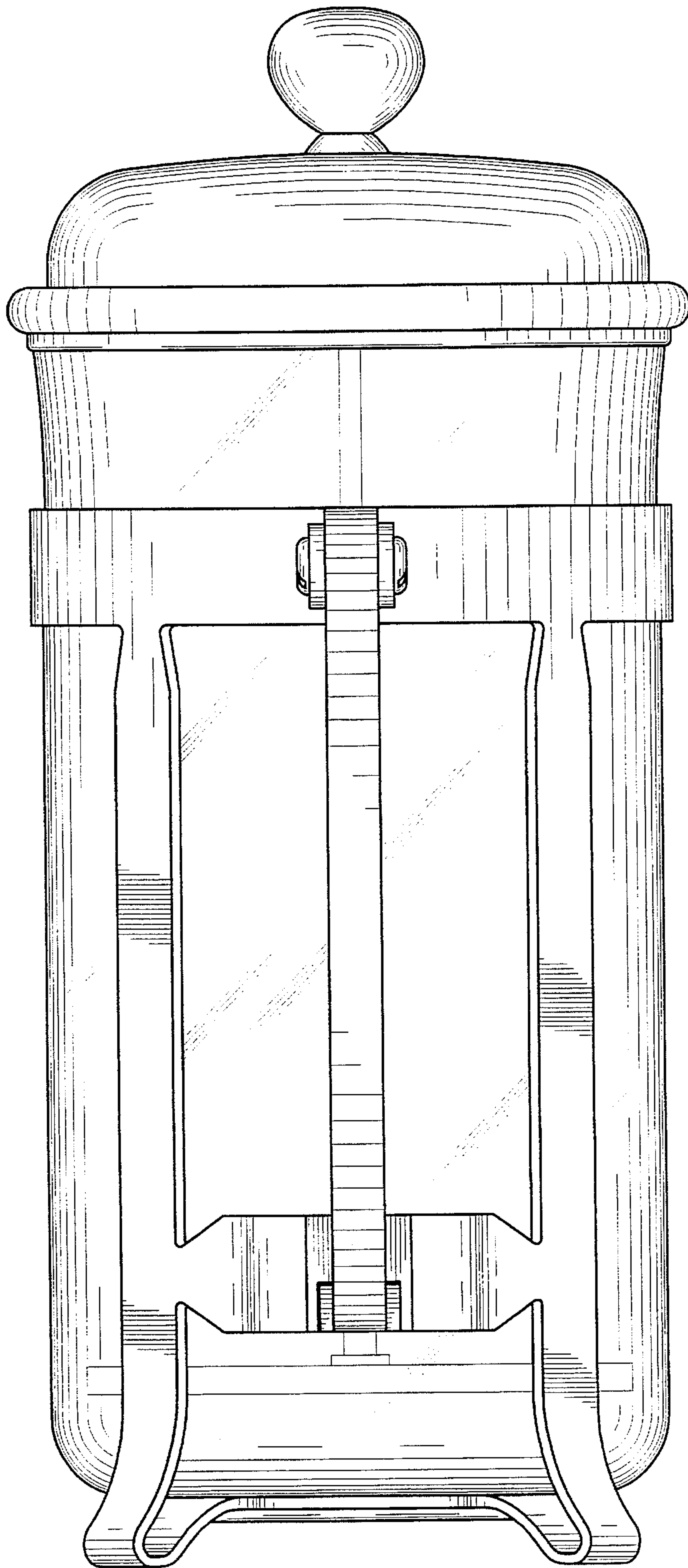


FIG. 4

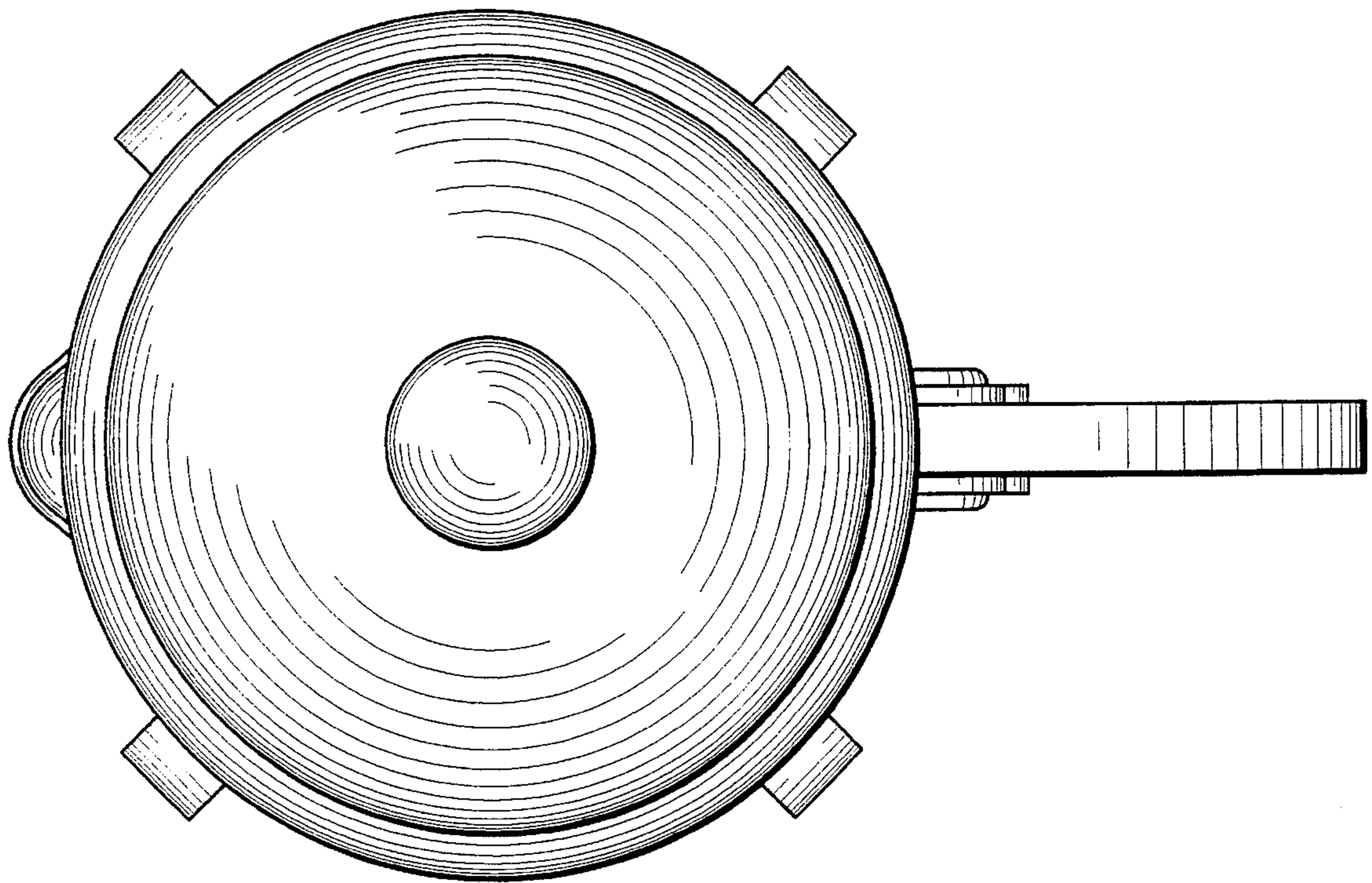


FIG. 5

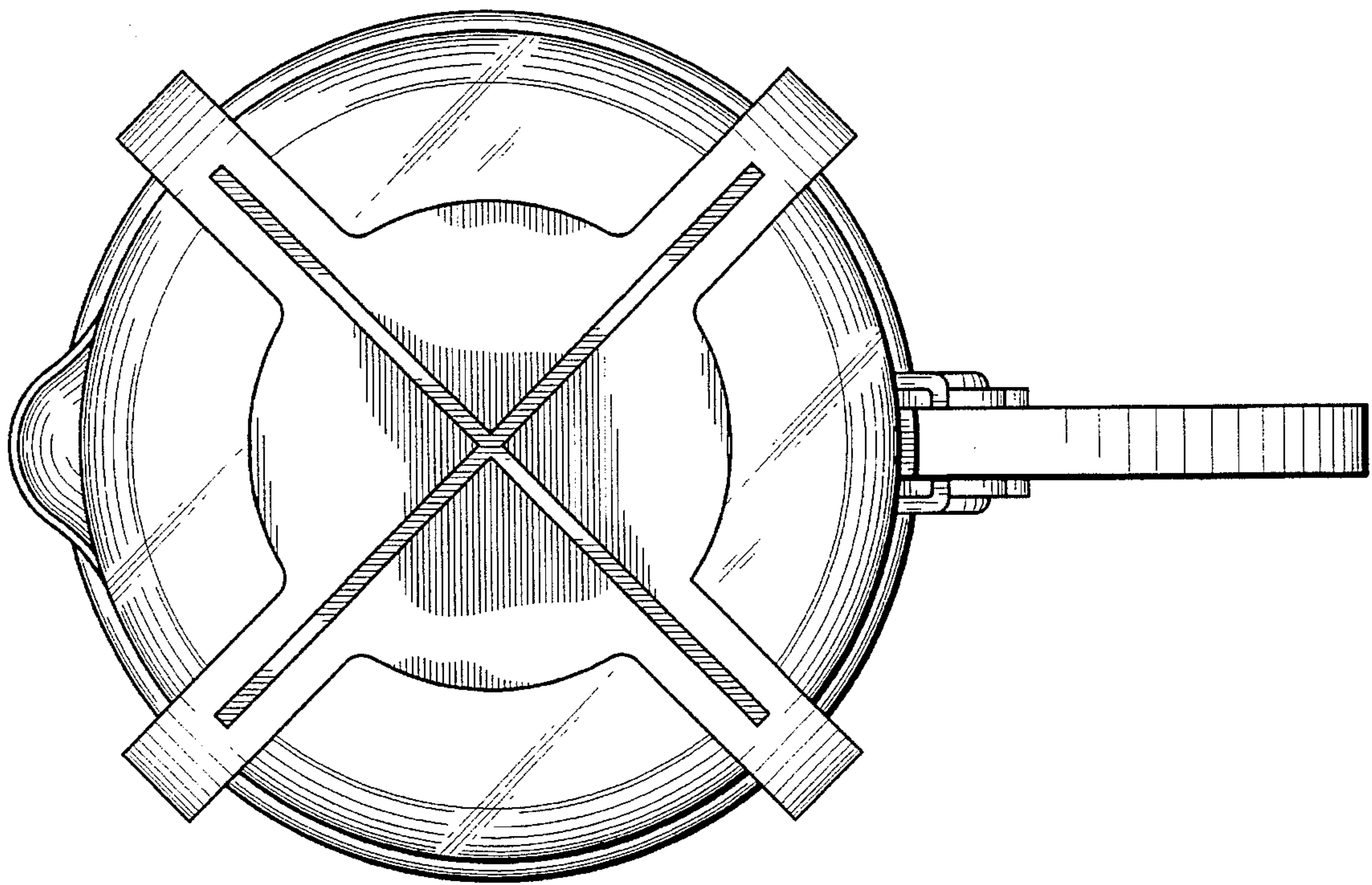
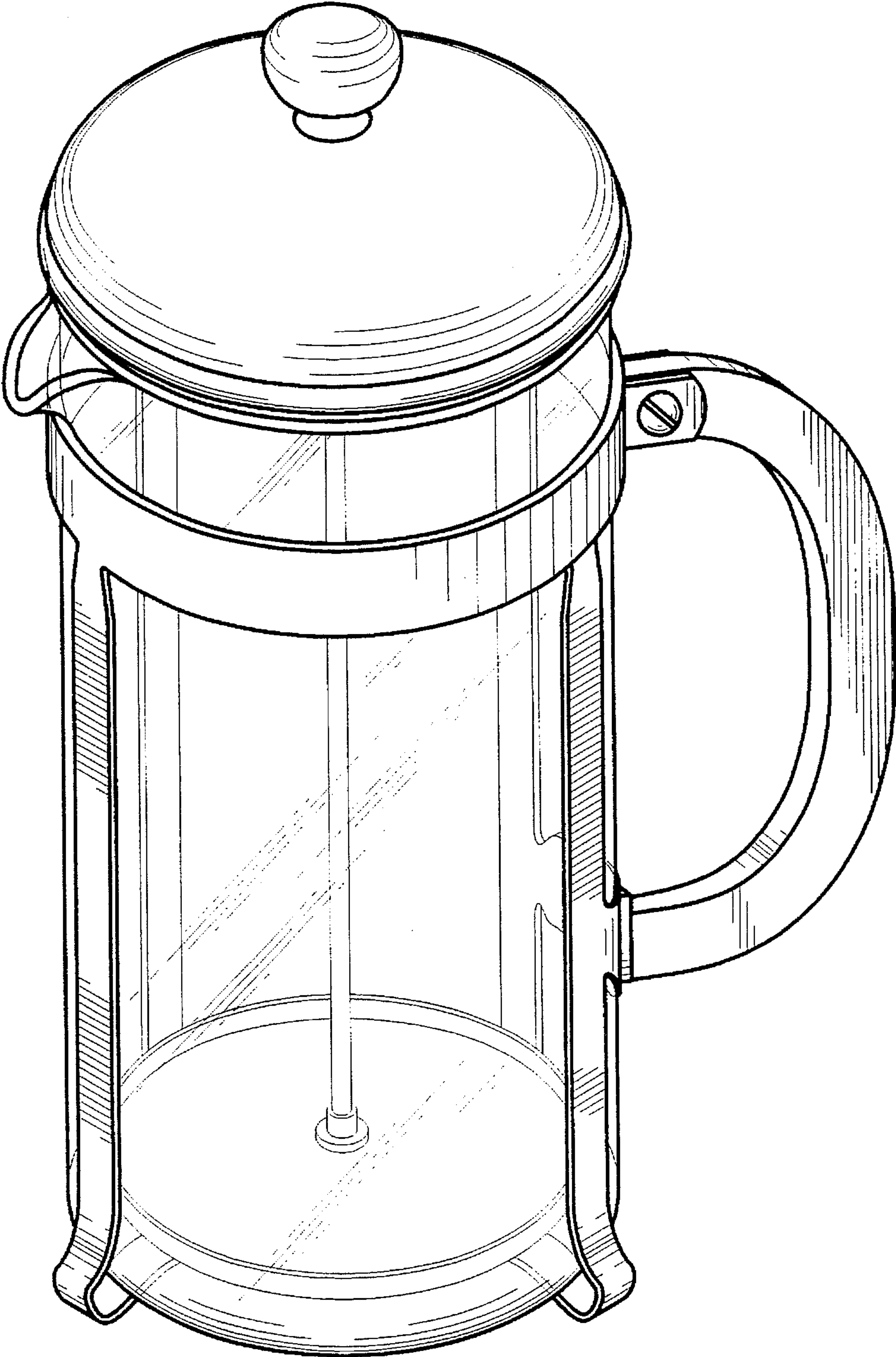


FIG. 6





*FIG. 7*