



US00D378256S

United States Patent [19]

Keller

[11] Patent Number: **Des. 378,256**

[45] Date of Patent: ****Mar. 4, 1997**

[54] **CARVED TABLE LEG**

[75] Inventor: **H. Thomas Keller**, High Point, N.C.

[73] Assignee: **Bernhardt Furniture Company**,
Lenoir, N.C.

[**] Term: **14 Years**

[21] Appl. No.: **28,377**

[22] Filed: **Sep. 13, 1994**

[52] U.S. Cl. **D6/497; D6/495**

[58] Field of Search **D6/480-489, 495-499;**
108/150, 153, 156, 161; 248/188.8

[56] **References Cited**

U.S. PATENT DOCUMENTS

D. 24,881	11/1895	Nichols	D6/495
D. 249,861	10/1978	Adkinson	D6/480 X
3,240,460	3/1966	Petersen	248/188.8

Primary Examiner—Janice E. Seeger

Attorney, Agent, or Firm—Rhodes Coats & Bennett, L.L.P.

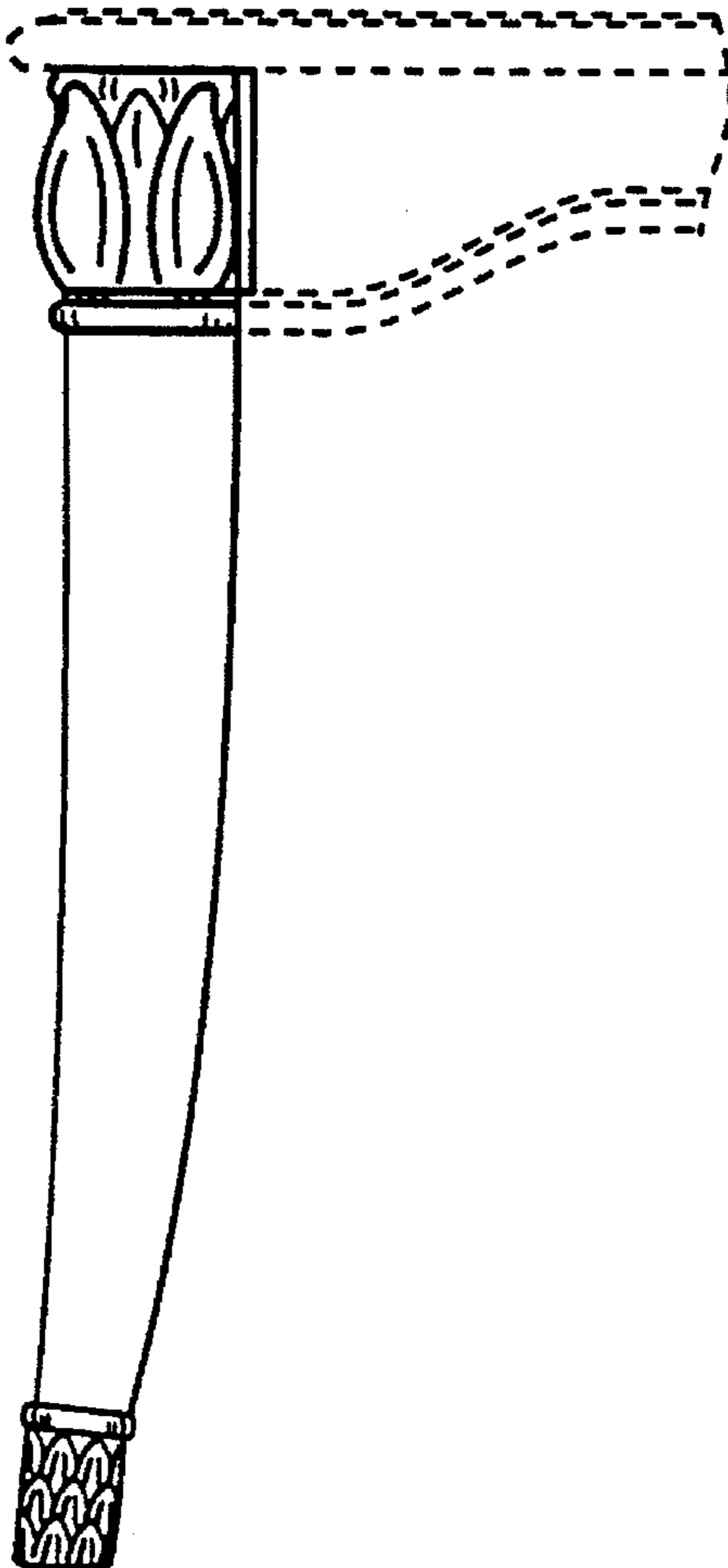
[57] **CLAIM**

The ornamental design for carved table leg, as shown and described.

DESCRIPTION

FIG. 1 is a cross-sectional view of the embodiment of FIG. 3;
 FIG. 2 is a cross-sectional view of the embodiment of FIG. 6;
 FIG. 3 is a left-front elevational view of a carved leg on tables showing a first embodiment of my new design;
 FIG. 4 is a left-side elevational view of the first embodiment; the opposite side elevational view being a mirror image;
 FIG. 5 is a front elevational view of a carved leg on tables showing a second embodiment of my new design;
 FIG. 6 is a left-side elevational view of the second embodiment; the opposite side elevation being a mirror image;
 FIG. 7 is a left-front elevational view of carved leg on table showing a third embodiment of my design; and
 FIG. 8 is a left-side elevation of the third embodiment; the opposite side elevation being a mirror image; and,
 FIG. 9 is a cross-sectional view of the embodiment of FIG. 8.

1 Claim, 2 Drawing Sheets



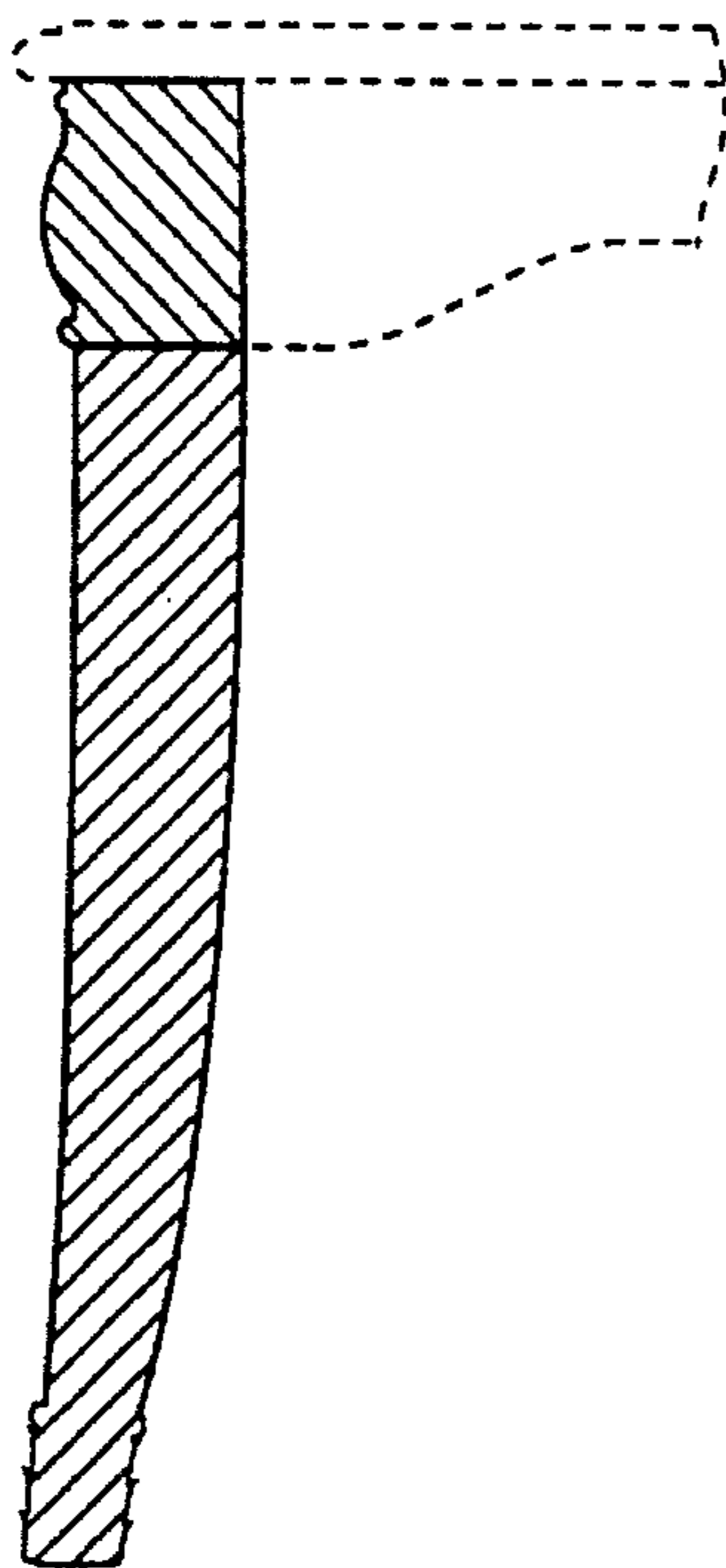


FIG. 1

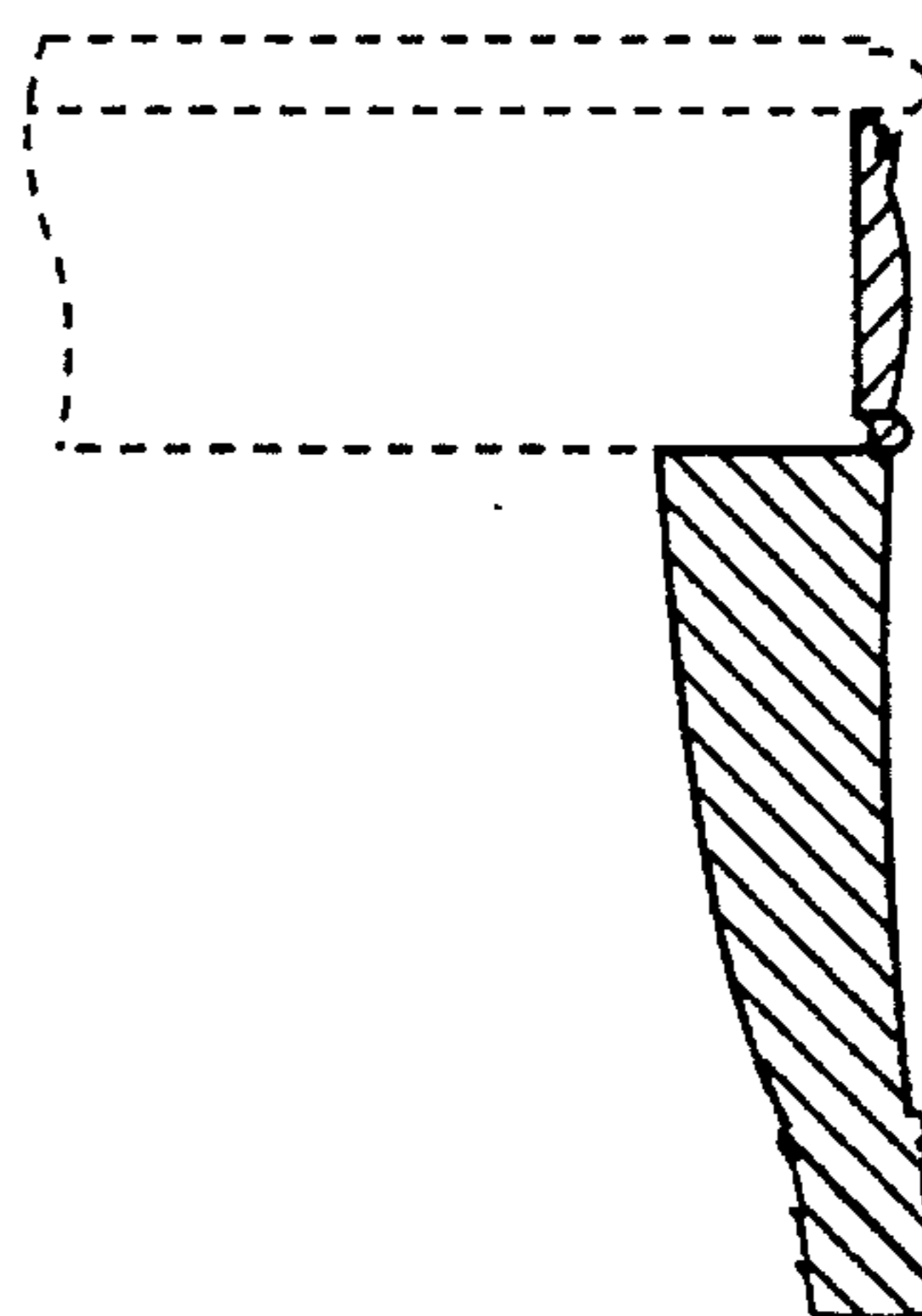


FIG. 2

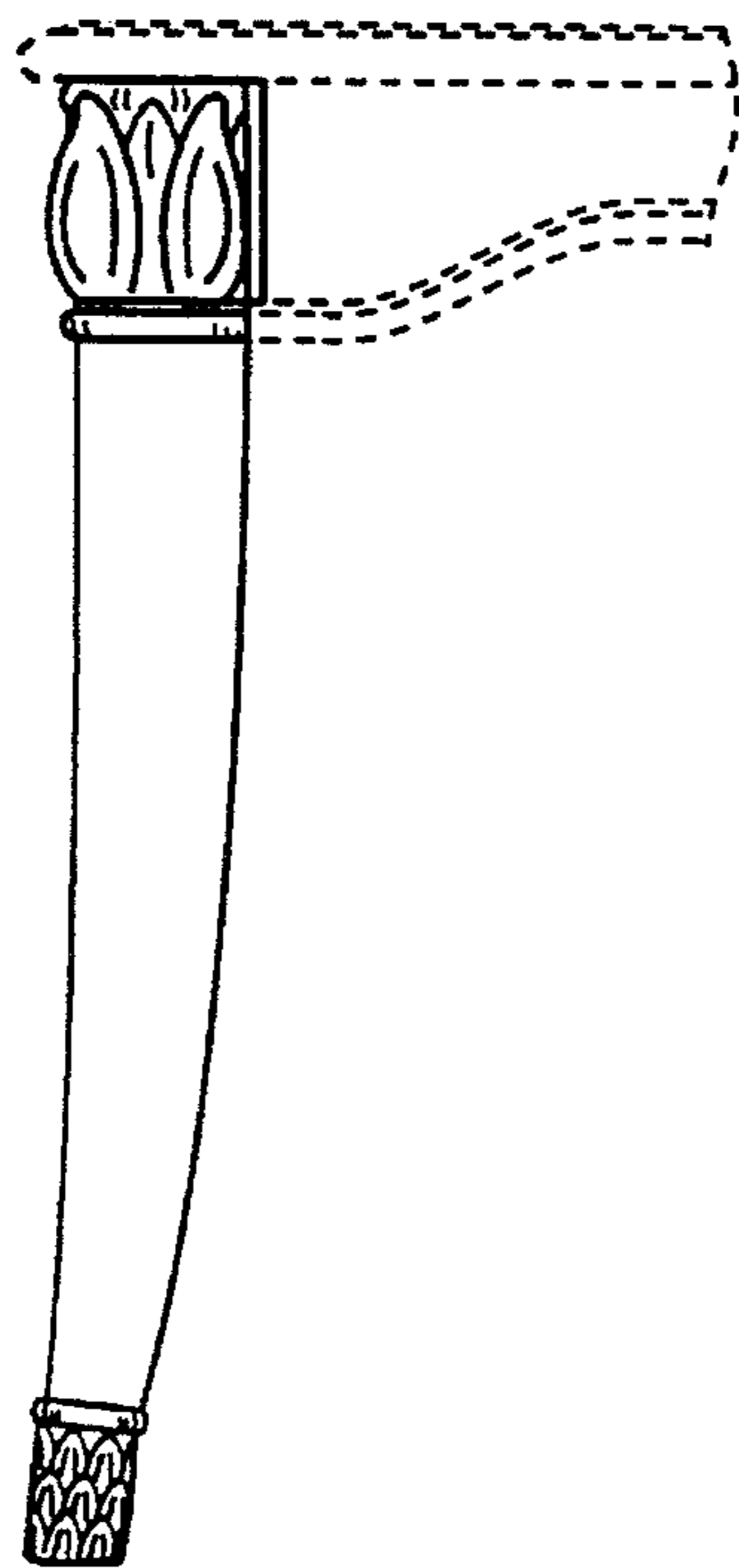


FIG. 3

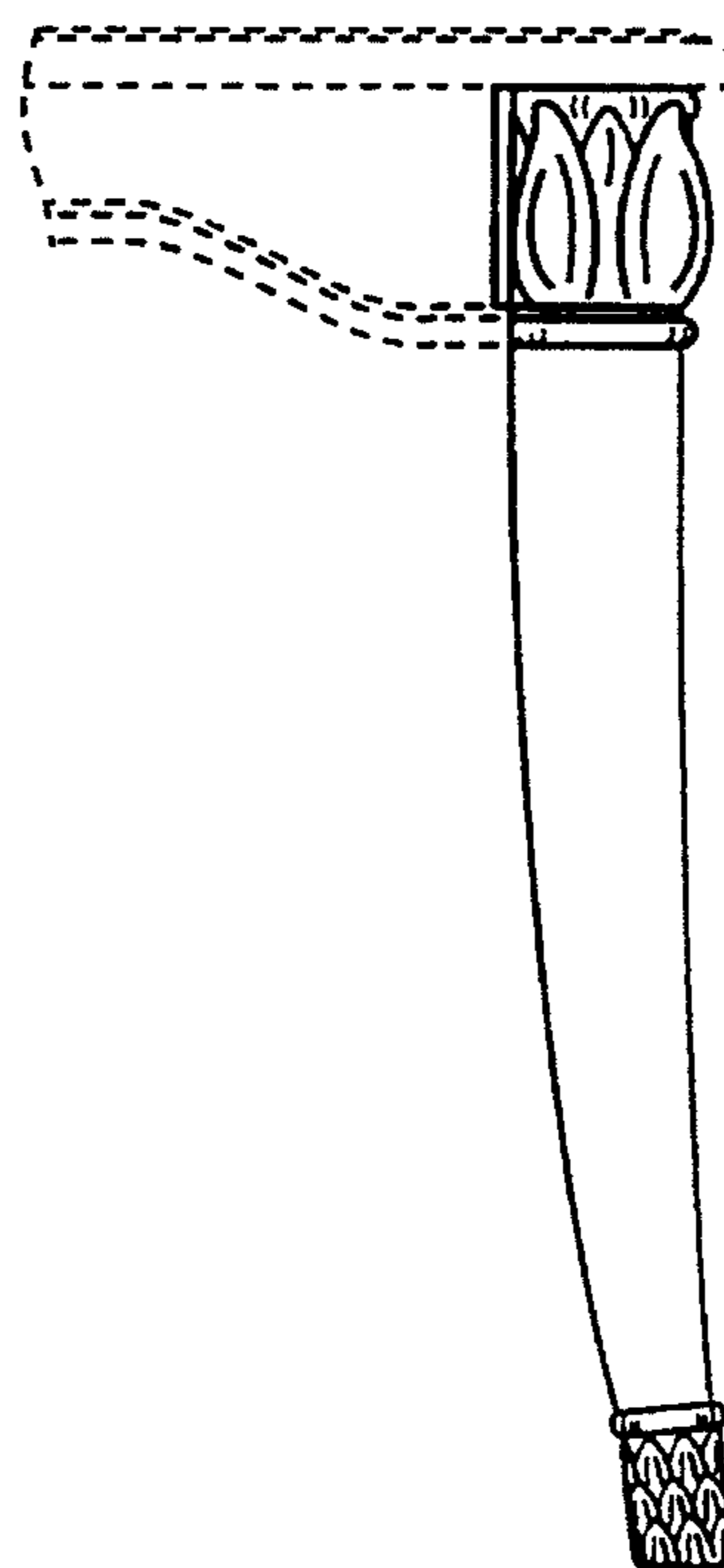


FIG. 4

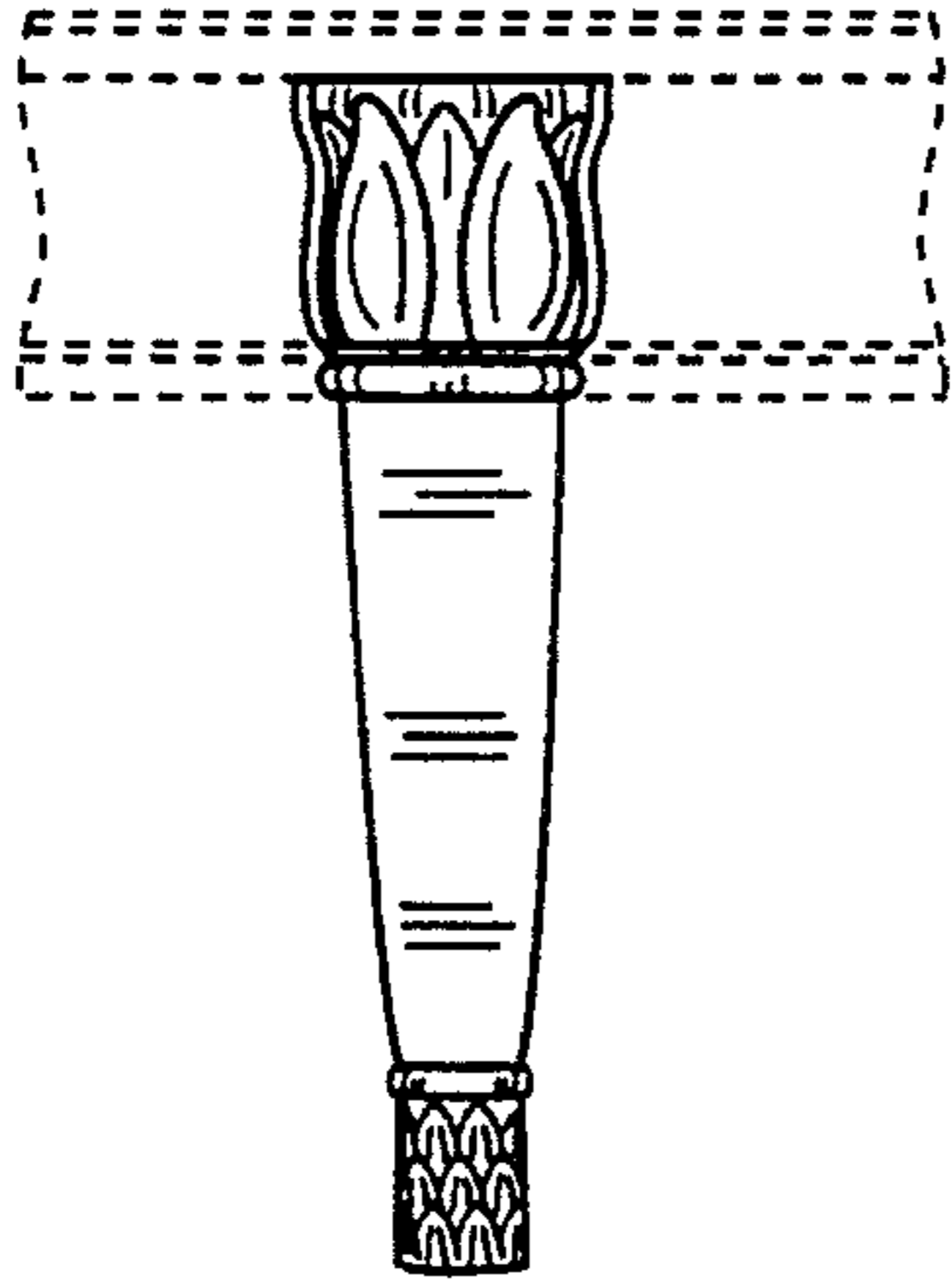


FIG. 5

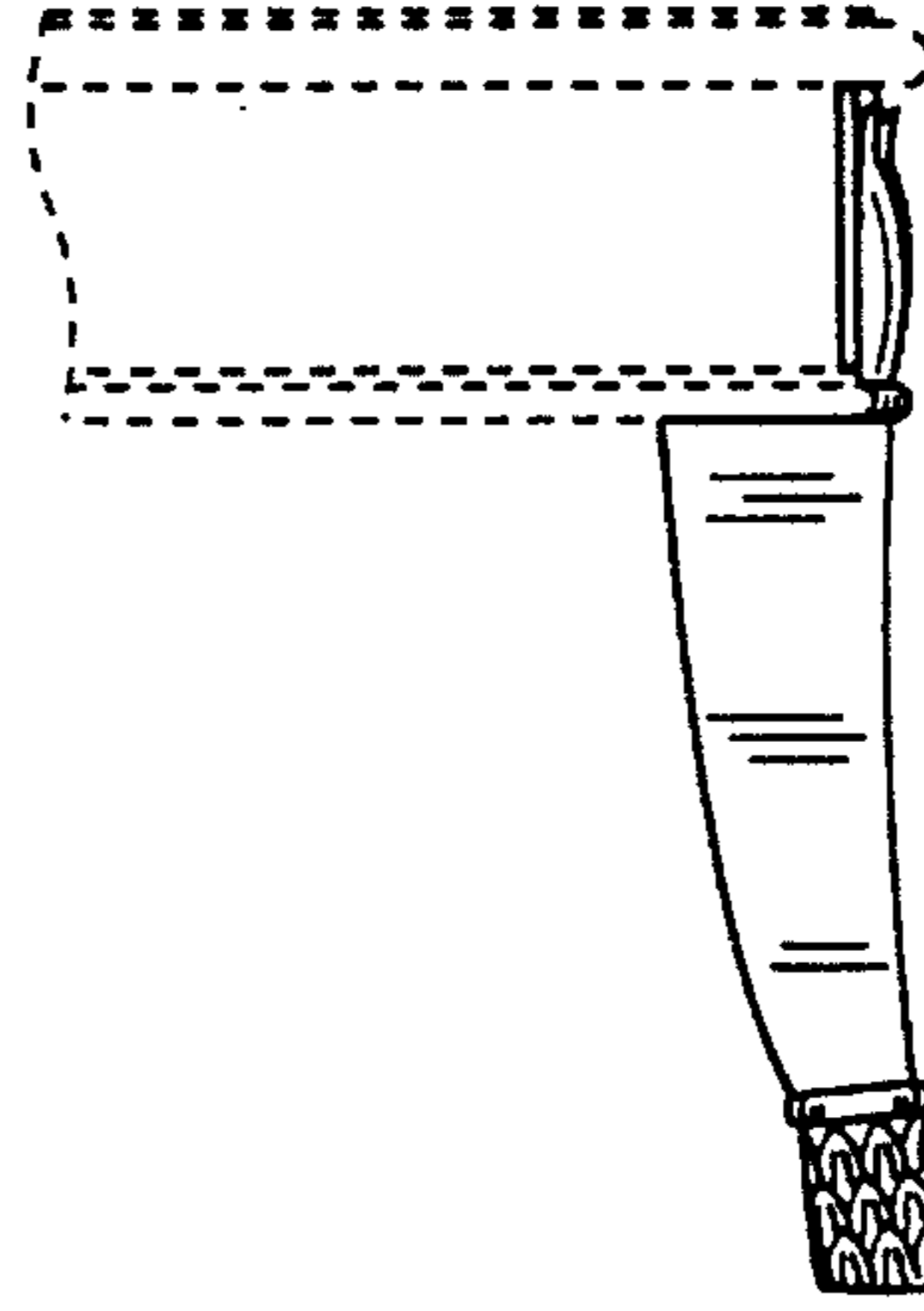


FIG. 6

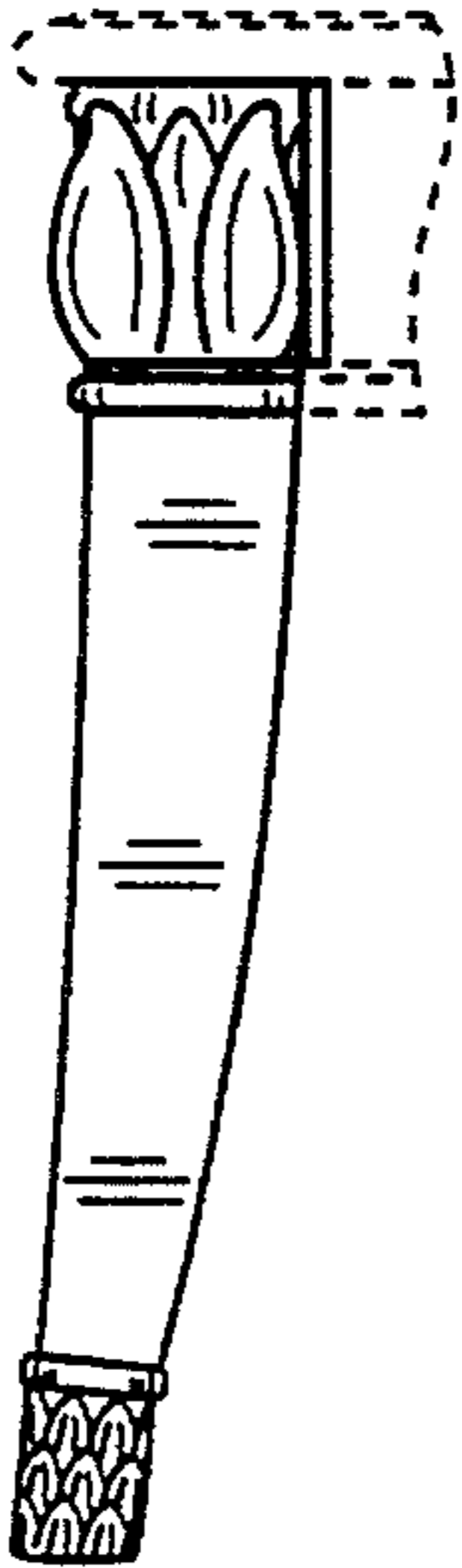


FIG. 7

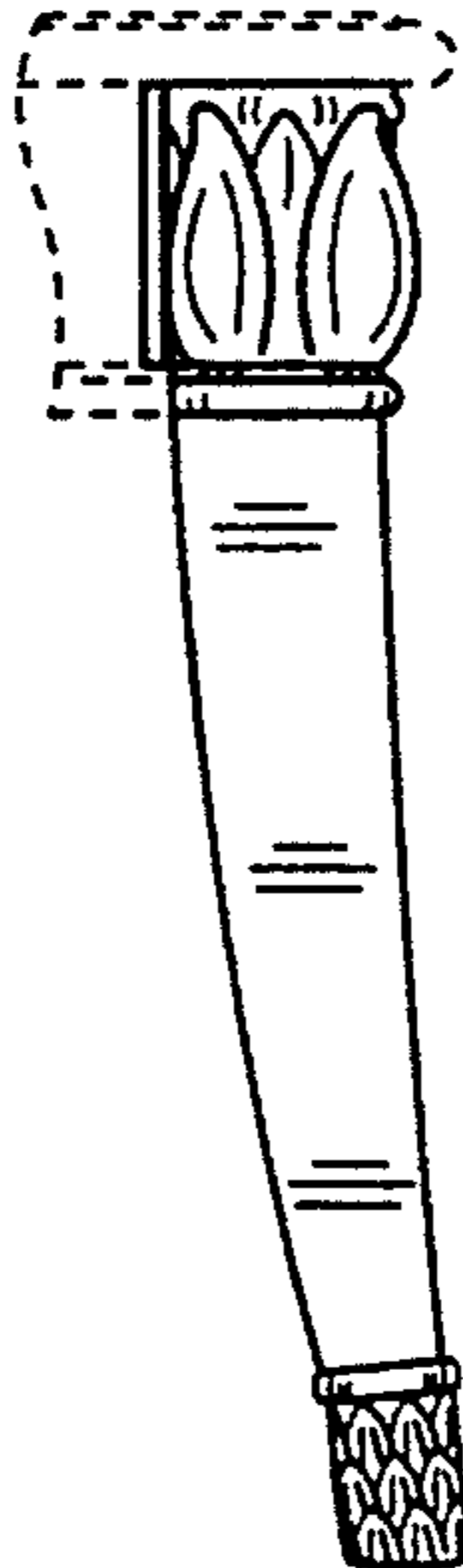


FIG. 8

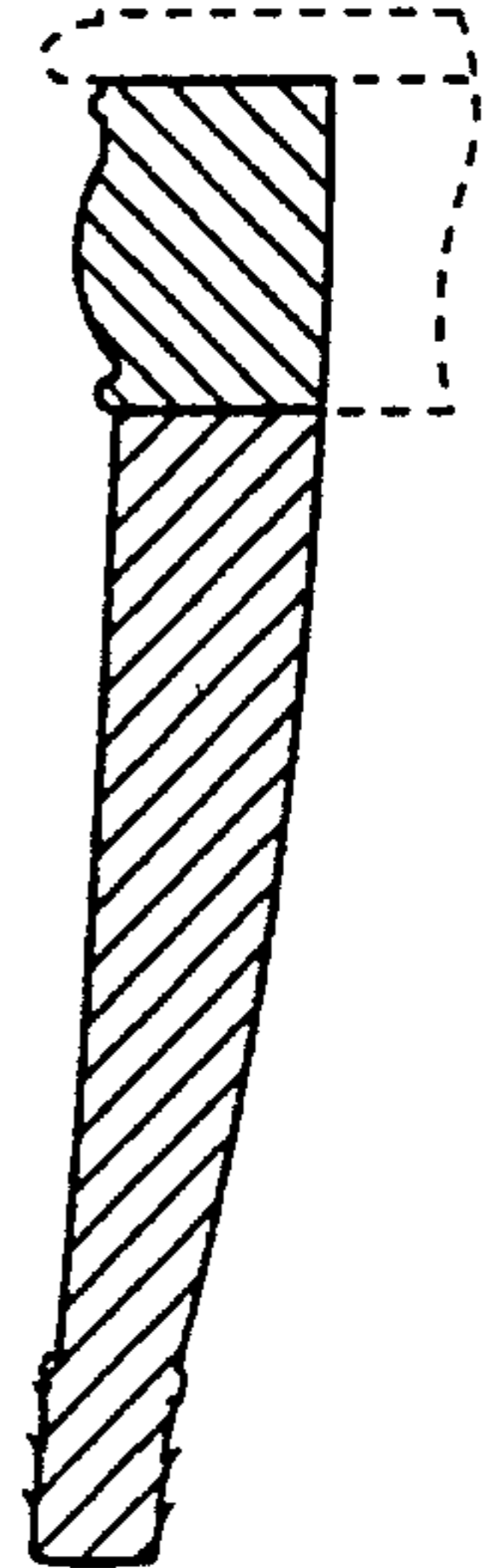


FIG. 9