



US00D378255S

United States Patent [19]
Grosfillex

[11] **Patent Number: Des. 378,255**

[45] **Date of Patent: **Mar. 4, 1997**

[54] **LEG ASSEMBLY FOR TABLES**

D. 361,676 8/1995 Westerburgen D6/480 X

D. 366,789 2/1996 Grosfillex D6/495

D. 366,791 2/1996 Grosfillex D6/495

[75] Inventor: **Raymond Grosfillex**, Oyonnax, France

[73] Assignee: **Grosfillex SARL**, Oyonnax, France

Primary Examiner—Janice E. Seeger
Attorney, Agent, or Firm—Dowell & Dowell

[**] Term: **14 Years**

[57] **CLAIM**

[21] Appl. No.: **46,056**

The ornamental design for a leg assembly for tables, as shown and described.

[22] Filed: **Nov. 6, 1995**

[30] **Foreign Application Priority Data**

DESCRIPTION

May 11, 1995 [XH] Hague Agreement DMA/002935

[52] **U.S. Cl.** **D6/495**

[58] **Field of Search** D6/480-489, 495,
D6/498, 499; 108/153, 155-157, 161; 248/188,
188.1, 188.8

FIG. 1 is a front elevational view of an leg assembly for tables showing my new design;

FIG. 2 is a rear elevational view thereof;

FIG. 3 is a left side view thereof;

FIG. 4 is a right side view thereof;

FIG. 5 is a top plan view thereof; and,

FIG. 6 is a bottom plan view thereof.

[56] **References Cited**

U.S. PATENT DOCUMENTS

D. 353,280 12/1994 Westerburgen D6/429

1 Claim, 2 Drawing Sheets

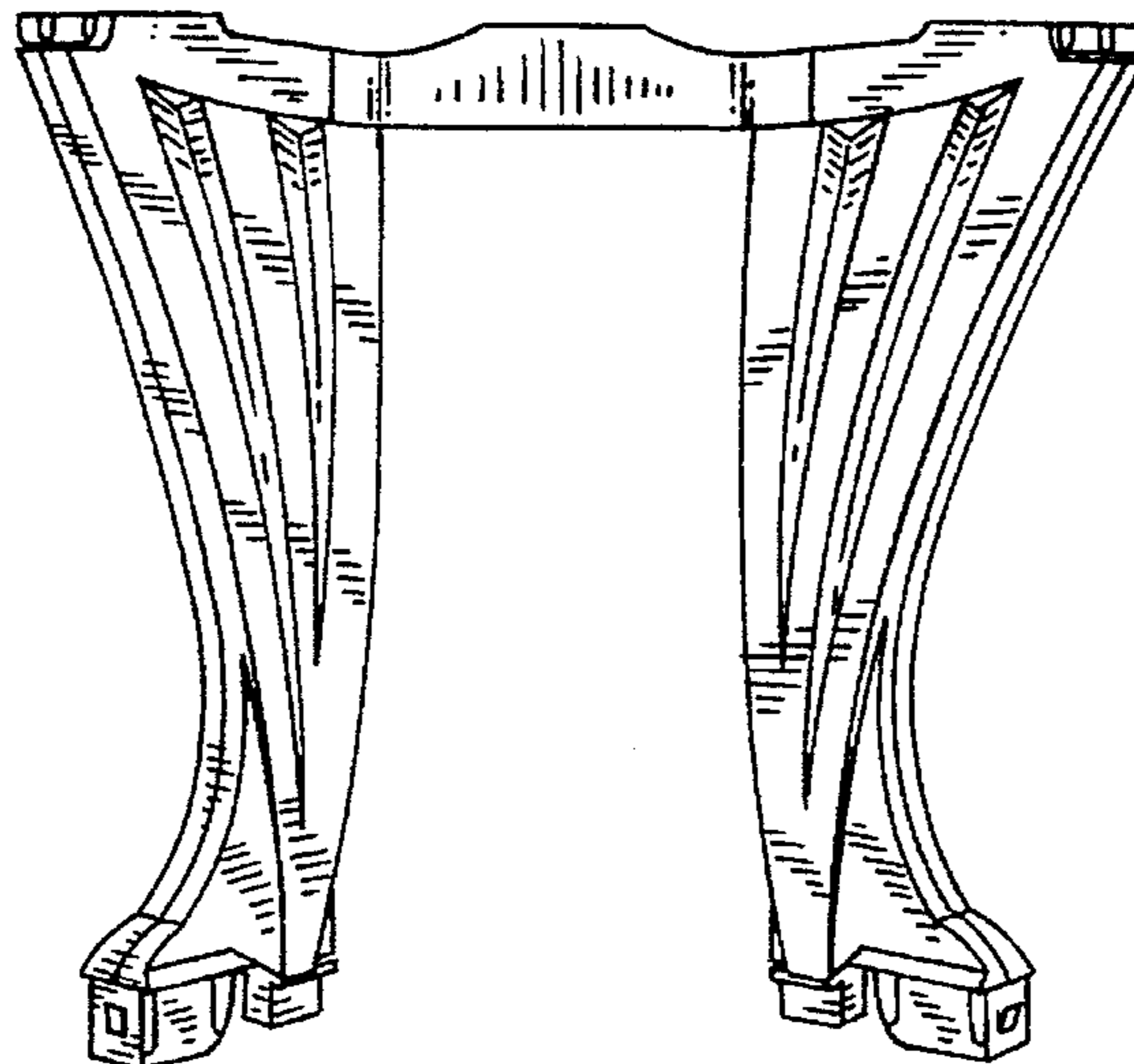
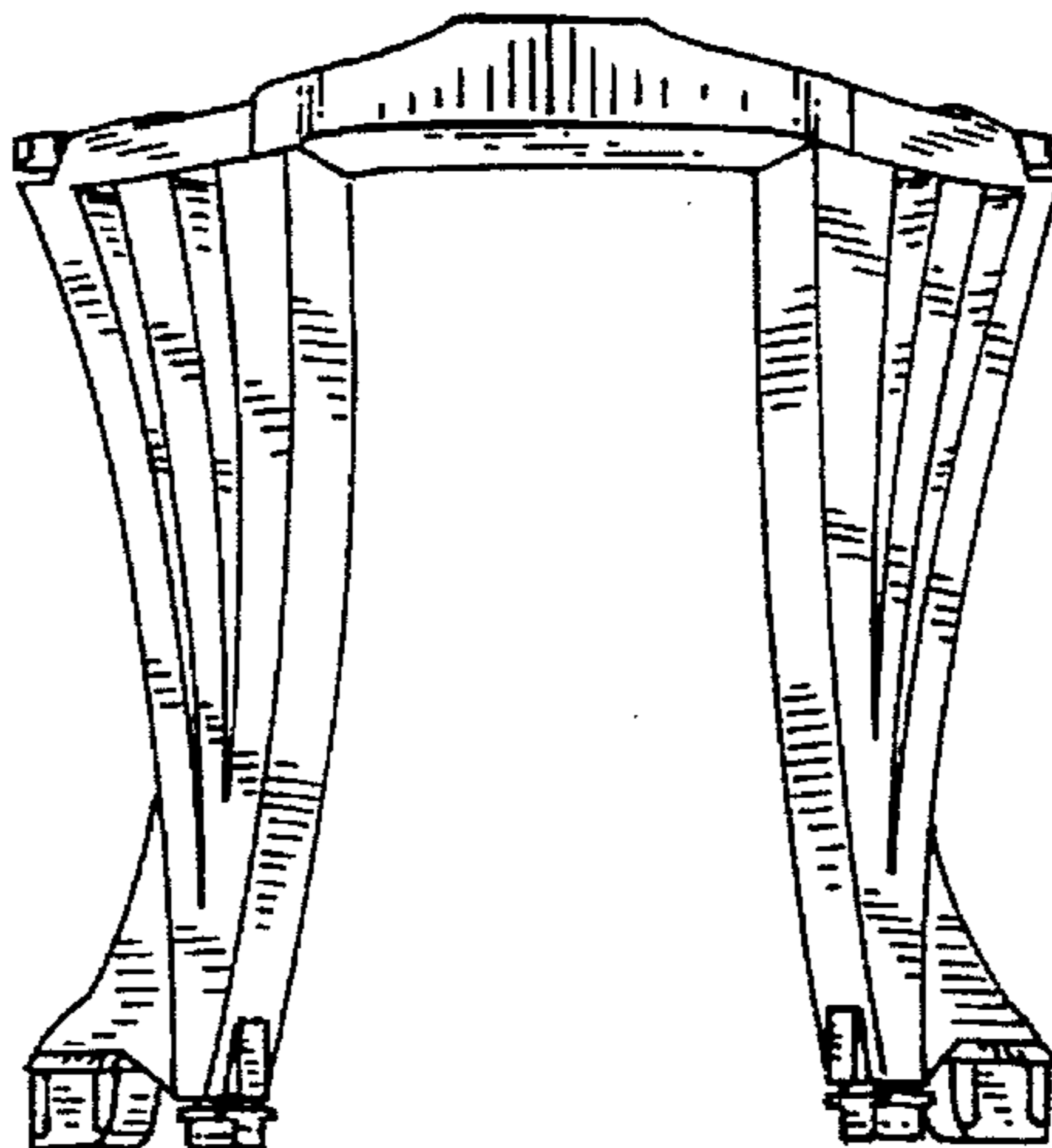


FIG. 1

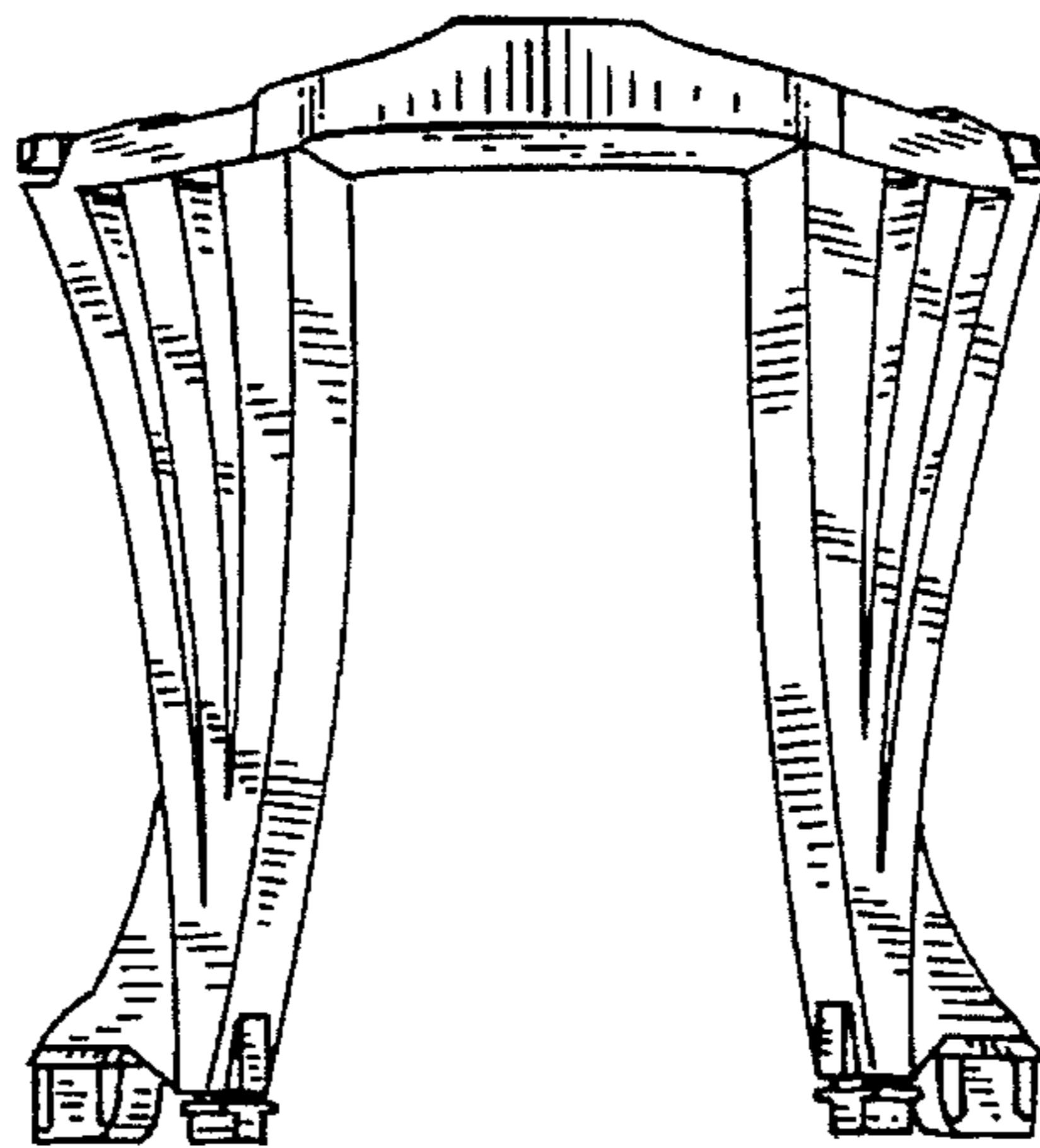


FIG. 2

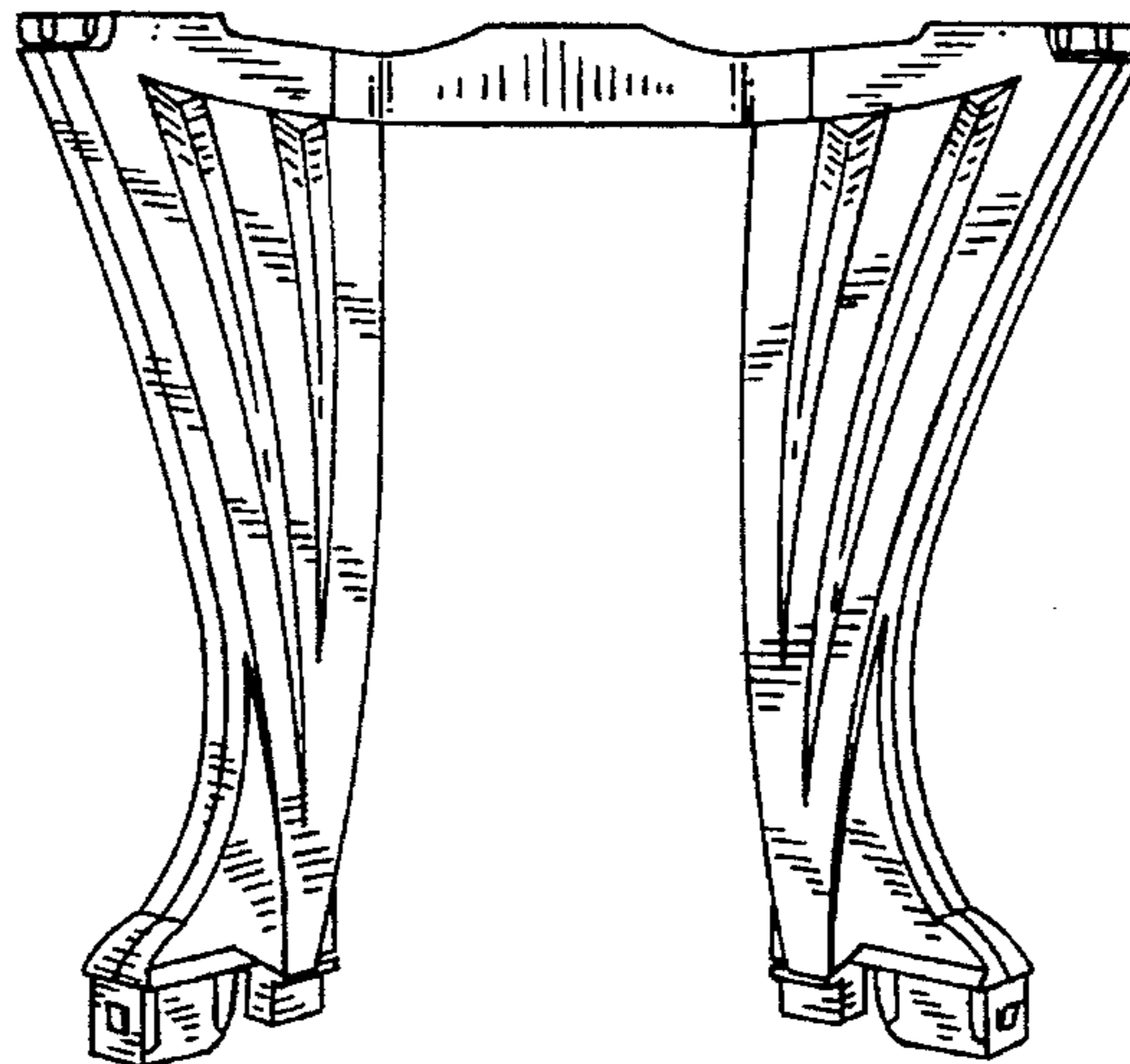
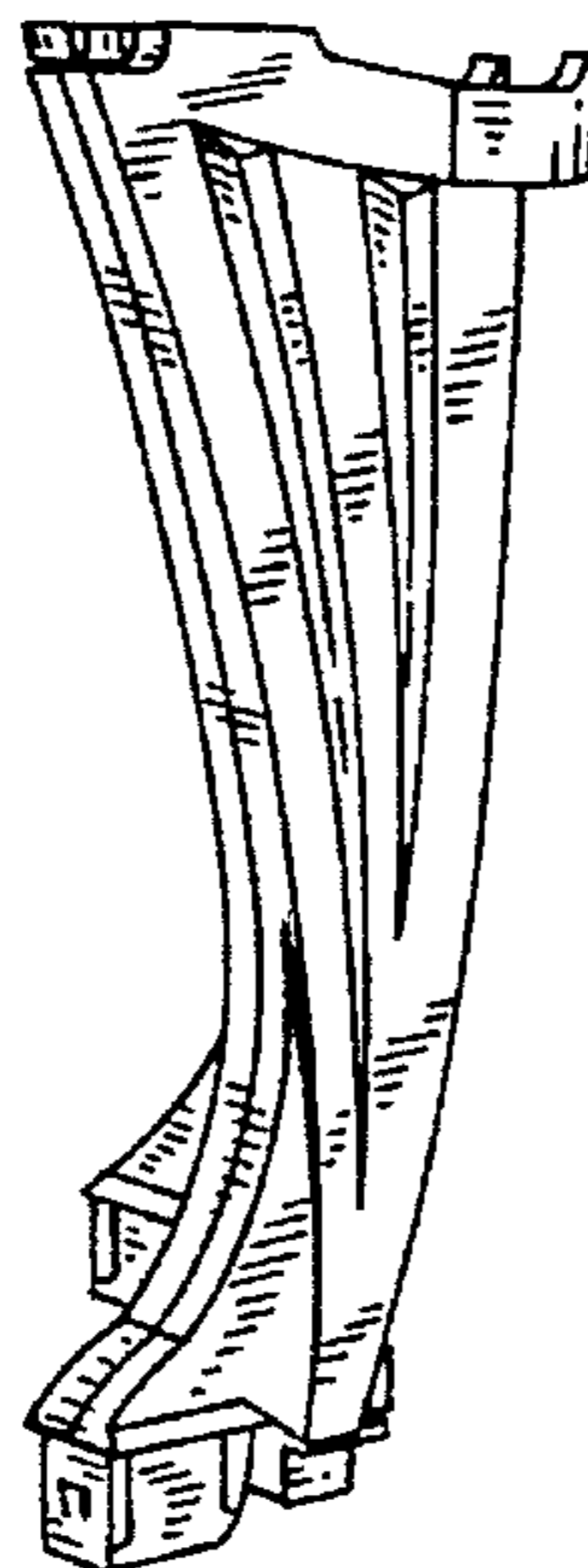


FIG. 3



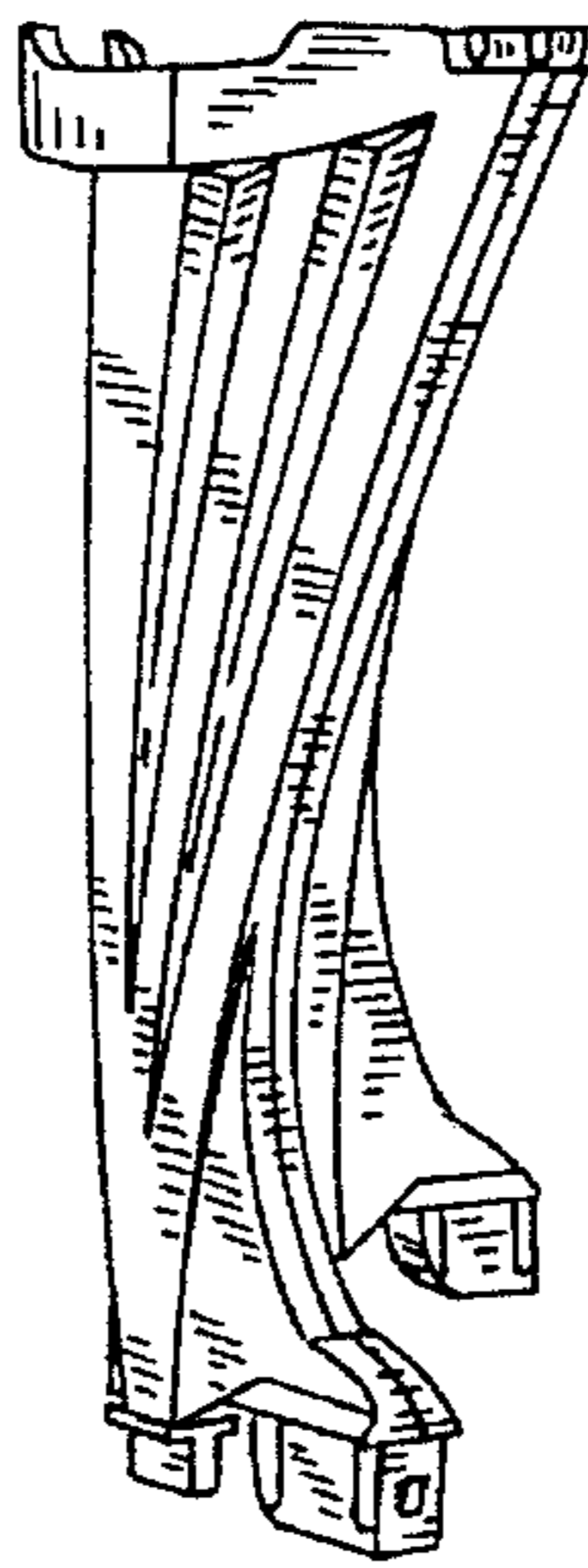


FIG. 4

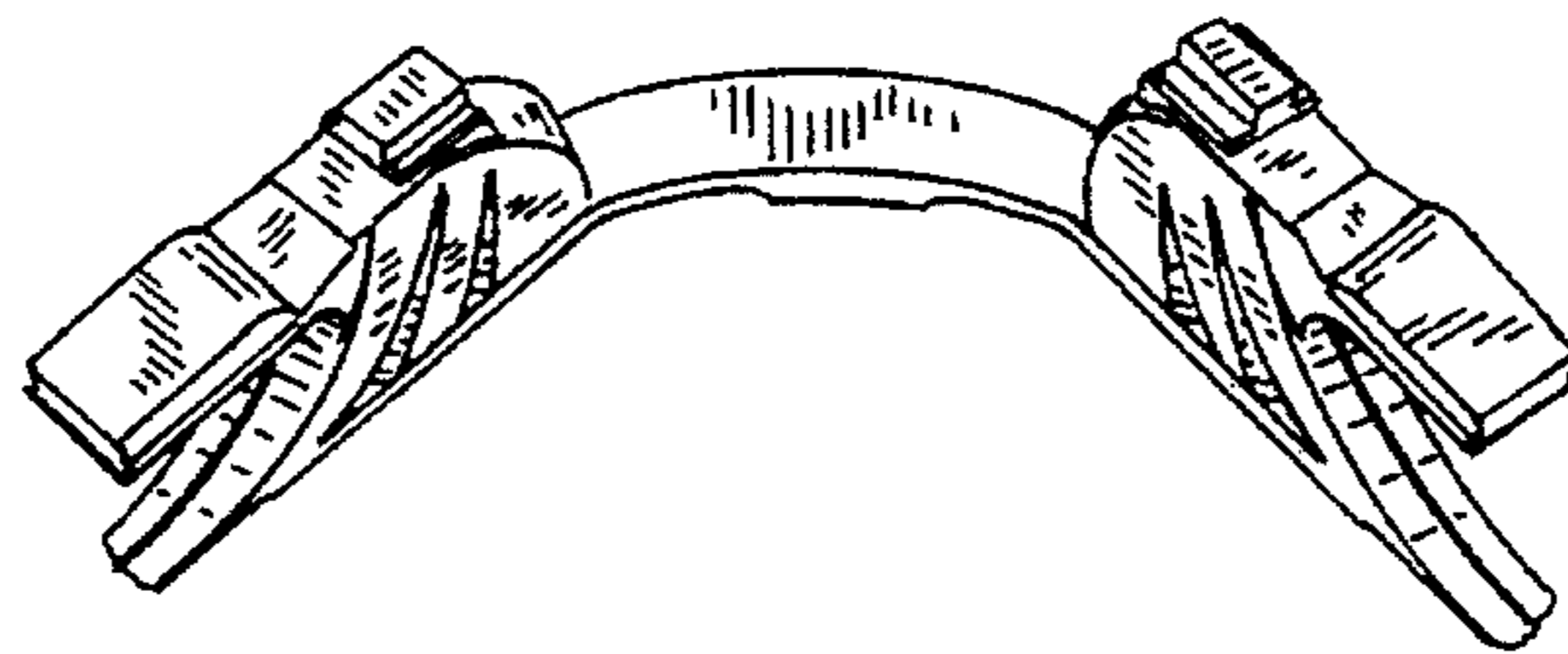


FIG. 5

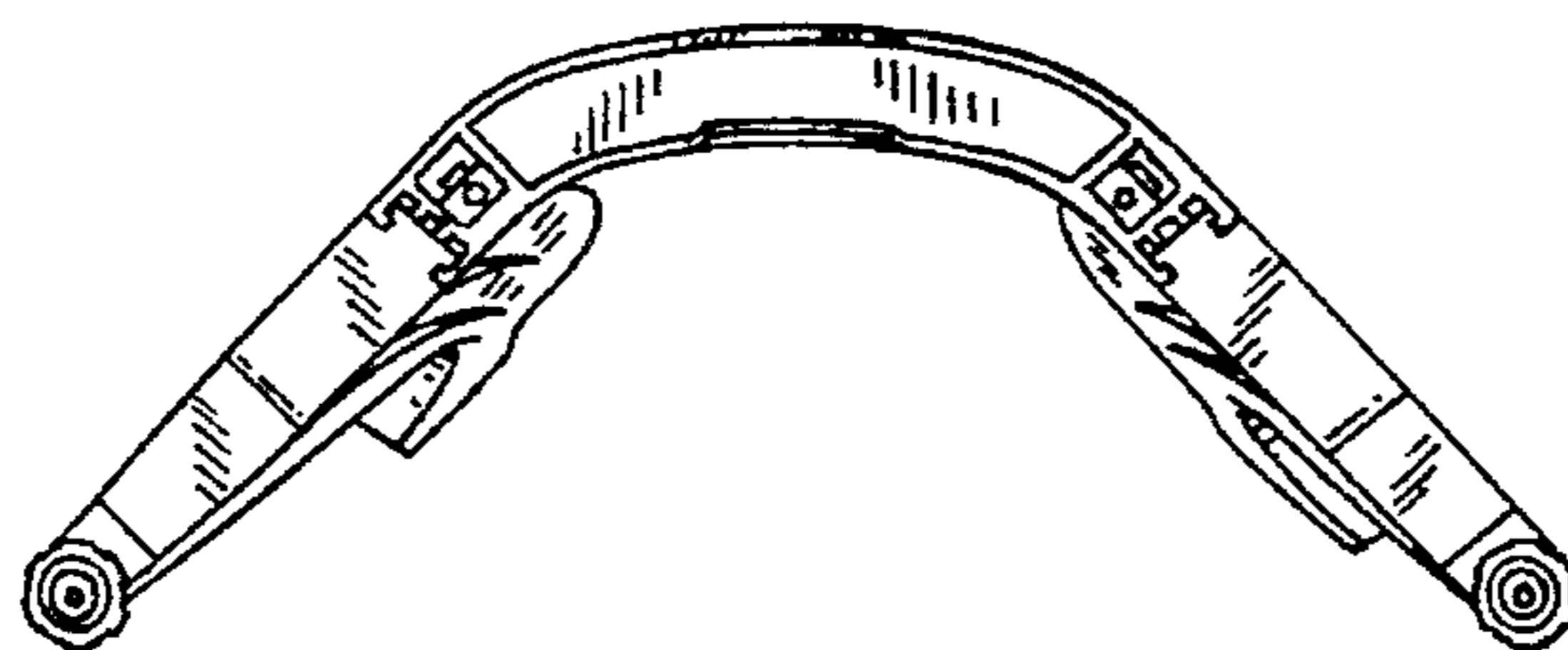


FIG. 6