



US00D378248S

**United States Patent** [19]  
**Griffin**

[11] **Patent Number: Des. 378,248**

[45] **Date of Patent: \*\*Mar. 4, 1997**

- [54] **PAINT BRUSH RACK CONTAINER**
- [76] Inventor: **Willis E. Griffin**, 19325 Robin Hood Way, Monument, Colo. 80132
- [\*\*] Term: **14 Years**
- [21] Appl. No.: **41,282**
- [22] Filed: **Jul. 11, 1995**
- [52] U.S. Cl. .... **D3/291; D3/273; D3/294; D3/905**
- [58] **Field of Search** ..... D3/295, 291, 294, D3/905, 283, 284, 274, 276; 206/1.7, 361, 362, 362.1, 362.3; D19/35, 65

4,533,044 8/1985 Ban ..... 206/362  
 5,097,967 3/1992 Sica ..... 206/362

*Primary Examiner*—Philip S. Hyder  
*Attorney, Agent, or Firm*—Franklin J. Cona, P.E.

[57] **CLAIM**

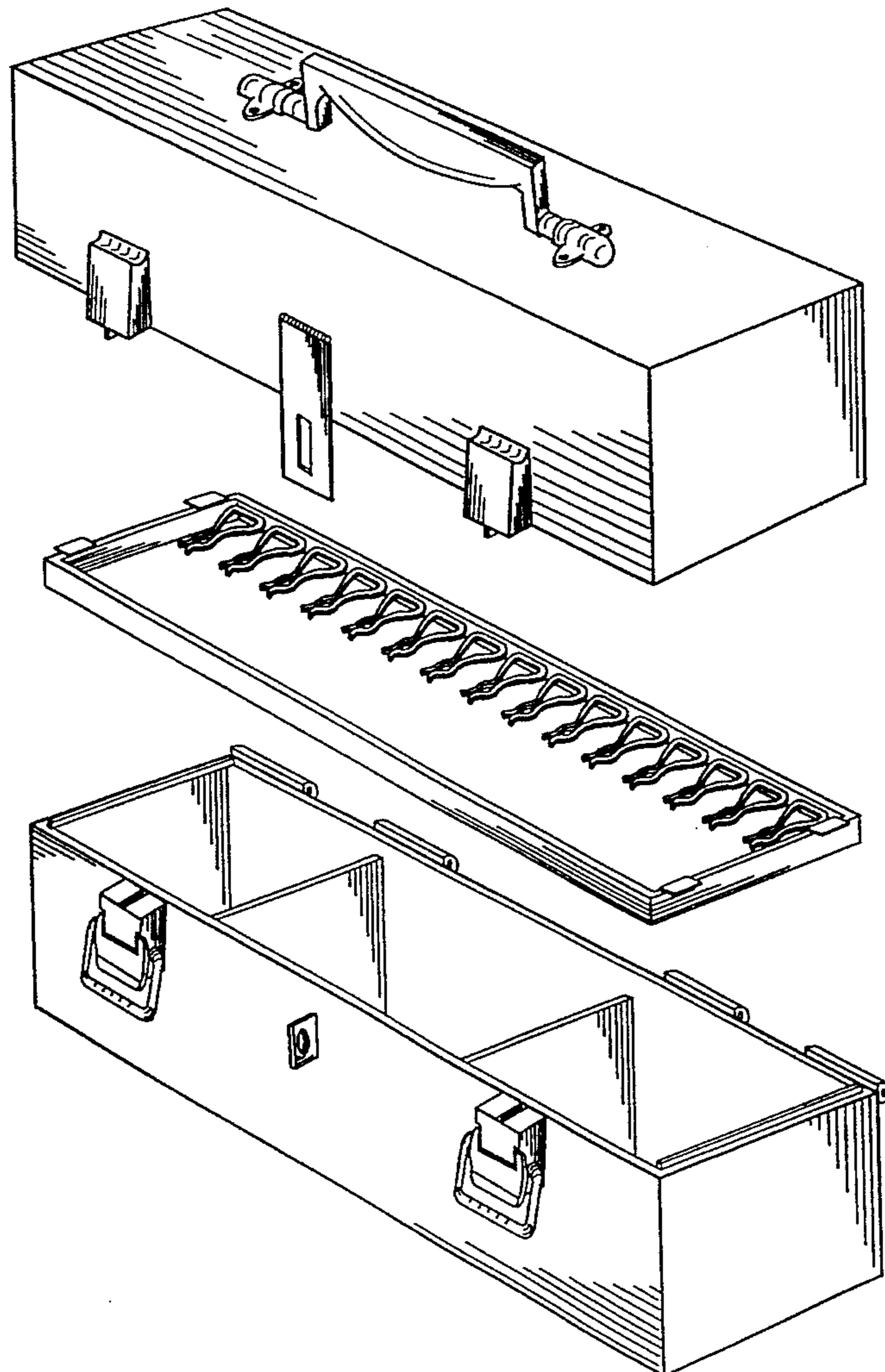
The ornamental design for a paint brush rack container, as shown and described.

**DESCRIPTION**

FIG. 1 is an exploded perspective view of a paint brush rack container, showing my new design;  
 FIG. 2 is a top plan view of the design as shown in FIG. 1;  
 FIG. 3 is a bottom plan view of the design as shown in FIG. 1;  
 FIG. 4 is a front elevational view of the paint brush rack container, in an assembled state;  
 FIG. 5 is a left side elevational view of FIG. 4, the right side view being a mirror image;  
 FIG. 6 is a rear elevational view of FIG. 4;  
 FIG. 7 is a top plan view of the brush holder component of the design as disclosed in FIG. 1; and,  
 FIG. 8 is a top plan view of the base container component of the design as disclosed in FIG. 1.

- [56] **References Cited**
- U.S. PATENT DOCUMENTS
- D. 324,541 3/1992 Dudley ..... D19/35
- D. 336,155 6/1993 Williams ..... D3/291
- D. 343,993 2/1994 Derrickson ..... D3/291
- D. 353,047 12/1994 Lackie ..... D3/905
- D. 355,761 2/1995 Campana et al. .... D3/273
- 1,979,241 11/1934 Albanese et al. .... 206/362
- 2,622,728 12/1952 Lieberman ..... 206/362
- 2,744,635 5/1956 Hiss ..... 206/362

**1 Claim, 3 Drawing Sheets**



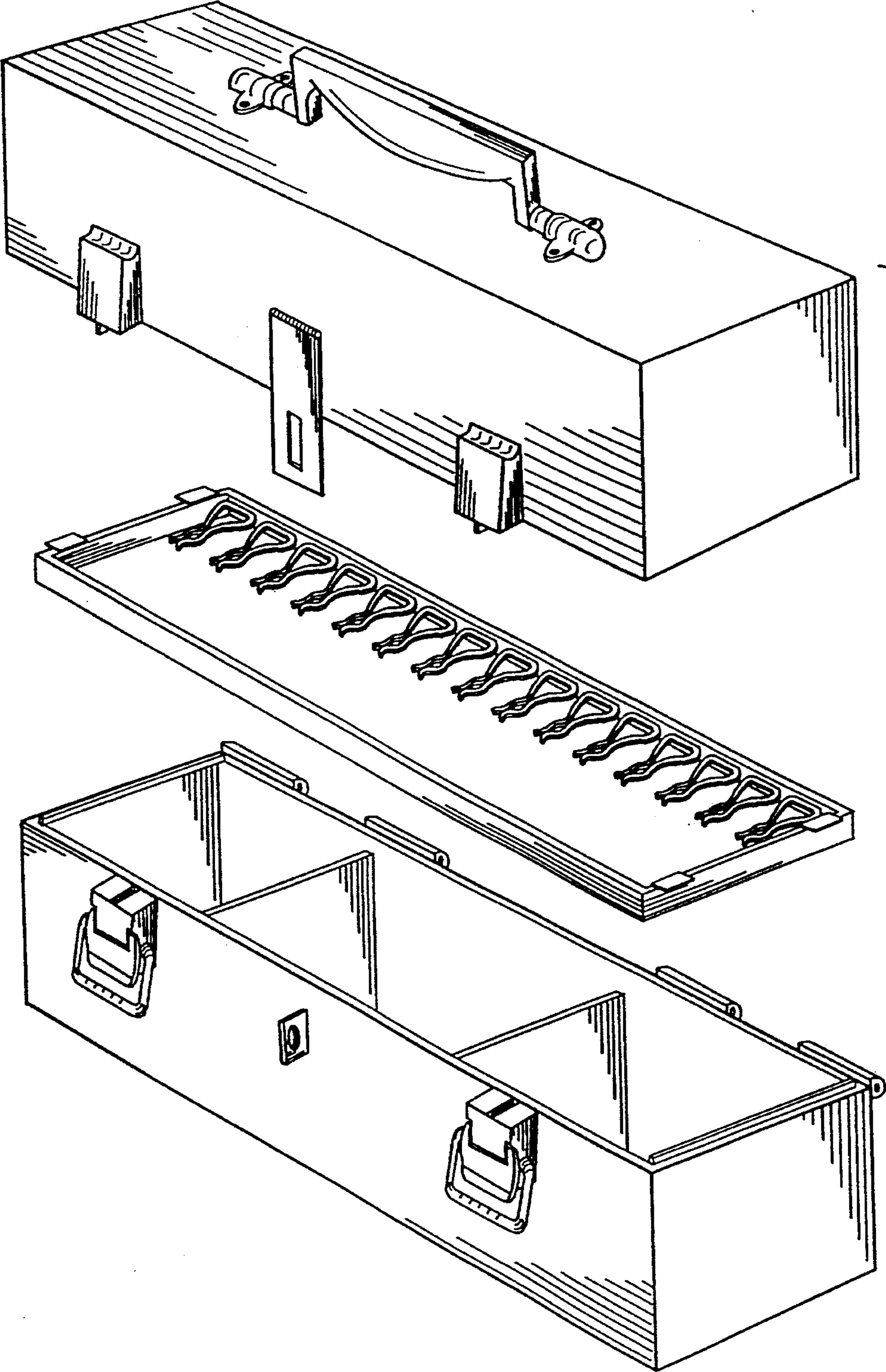


FIG. 1

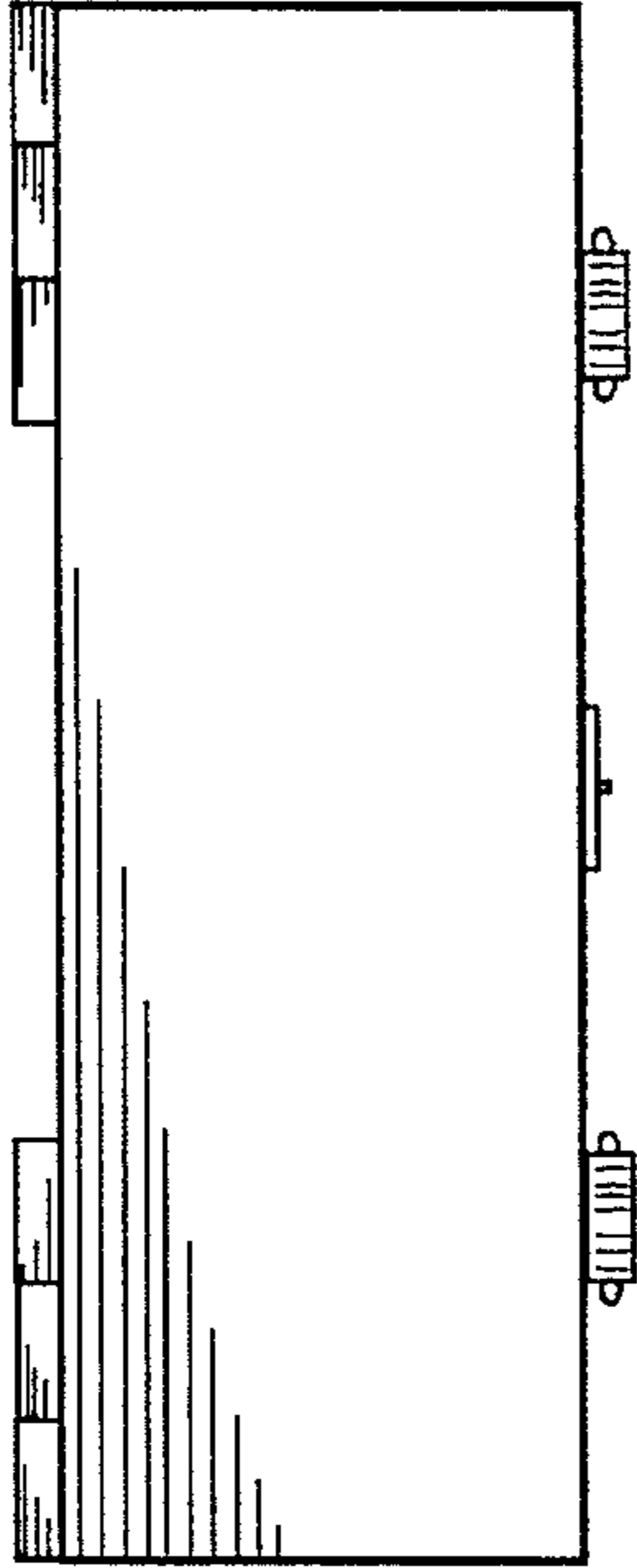


FIGURE 3

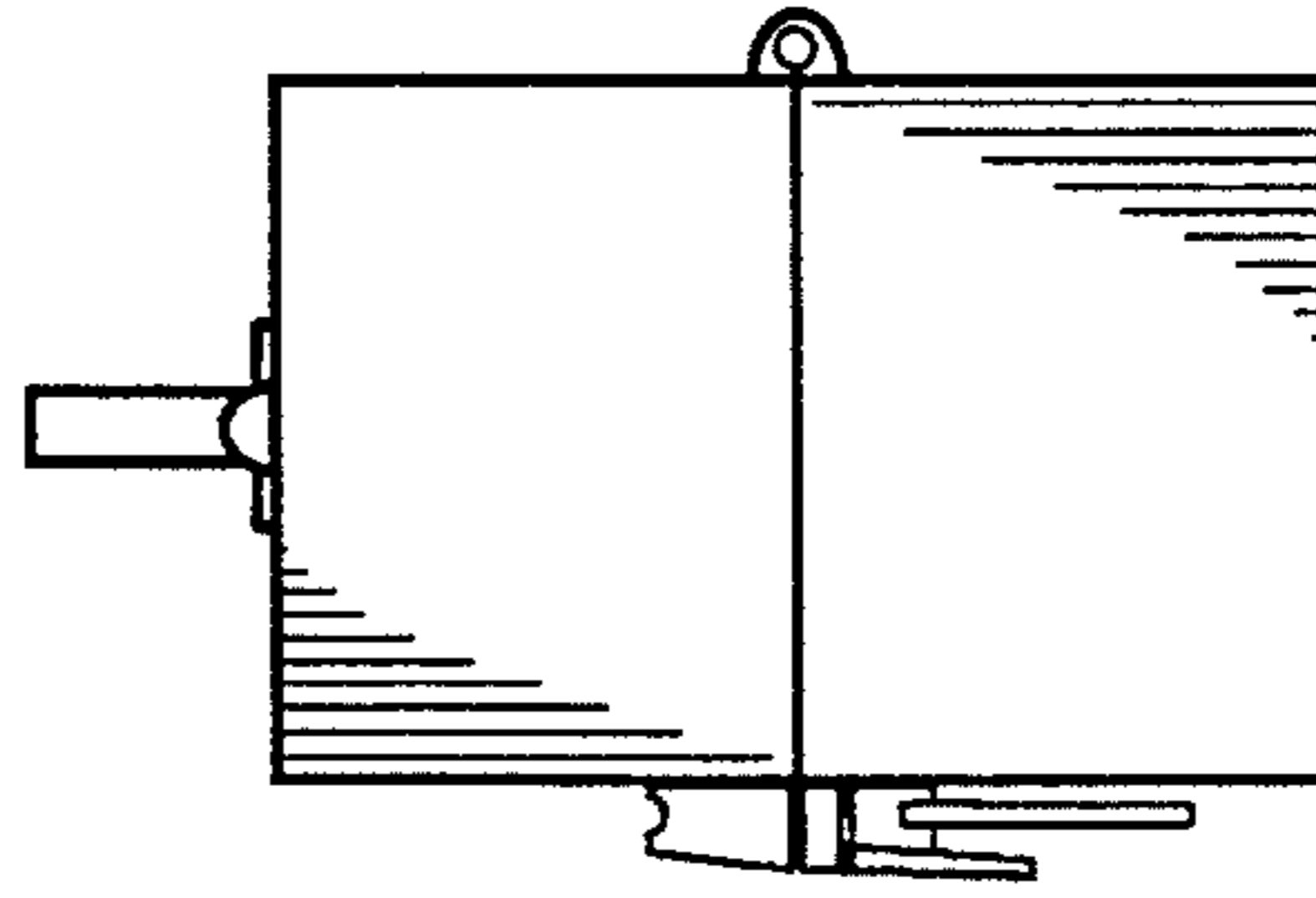


FIGURE 5

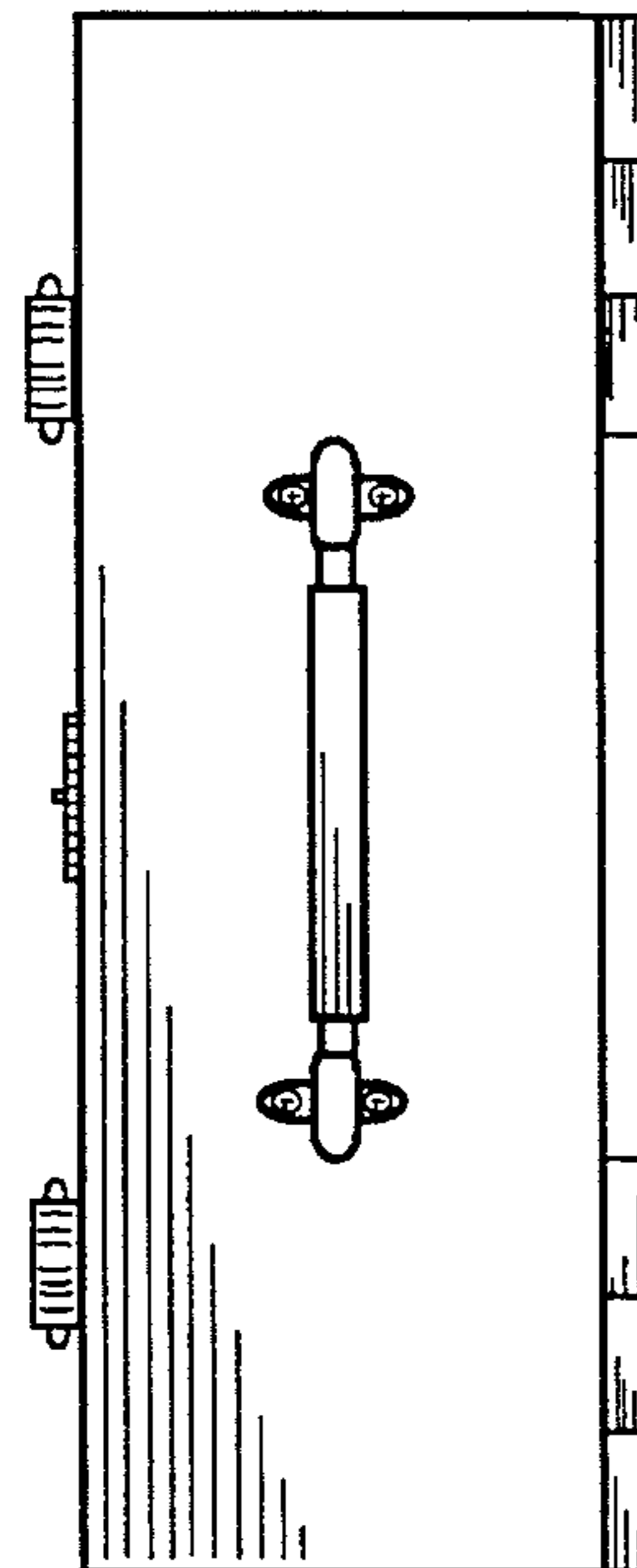


FIGURE 2

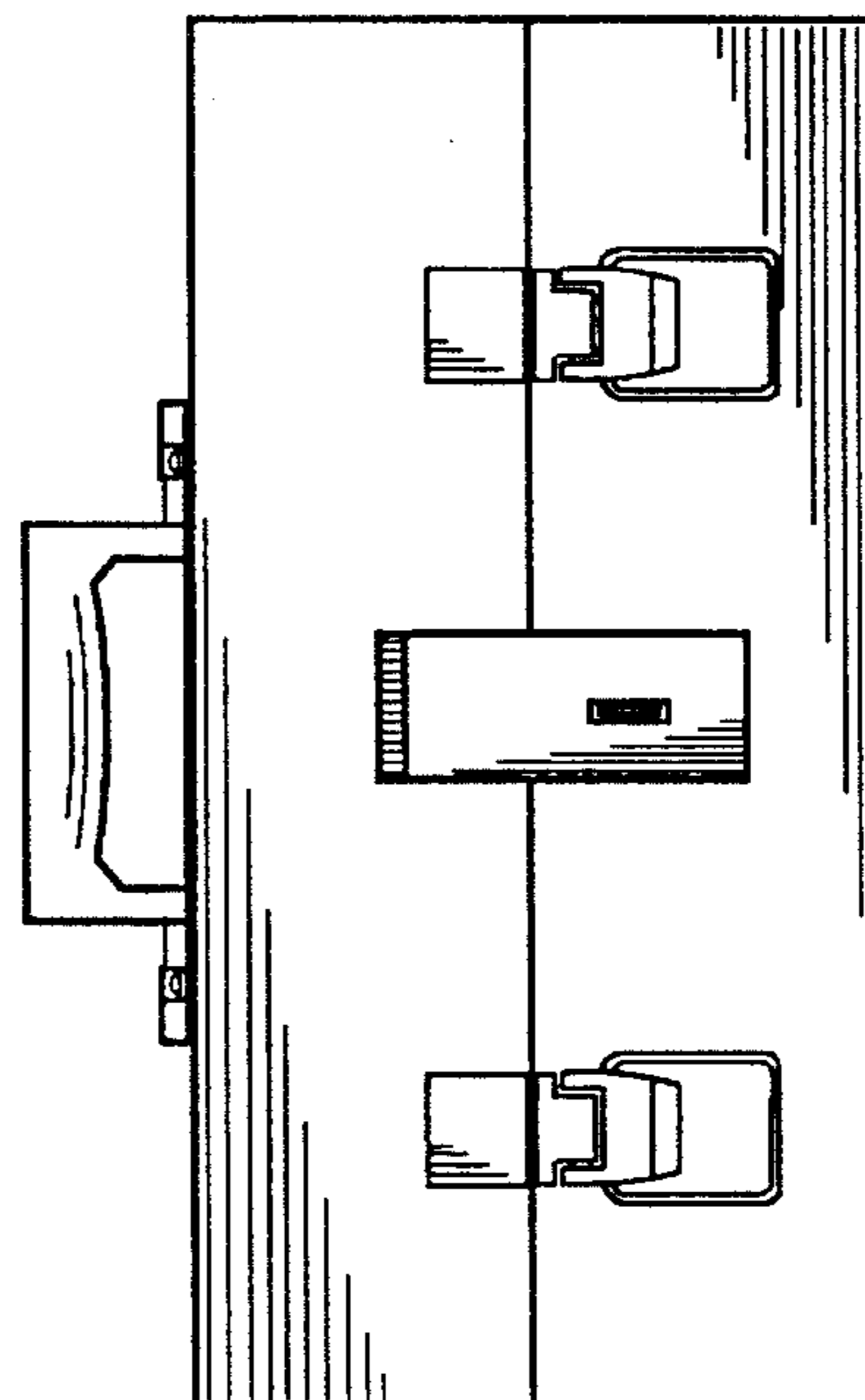


FIGURE 4

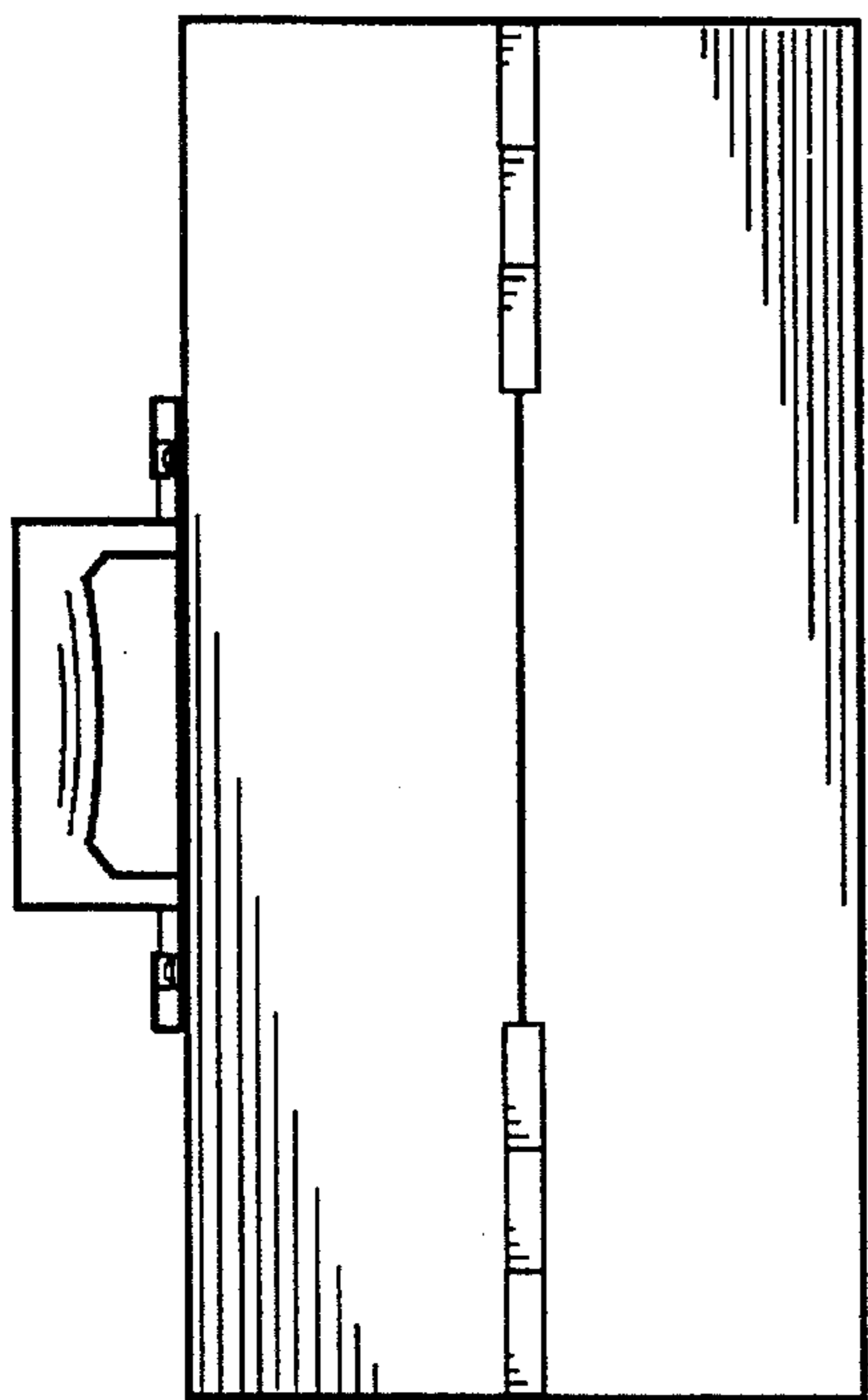


FIGURE 6

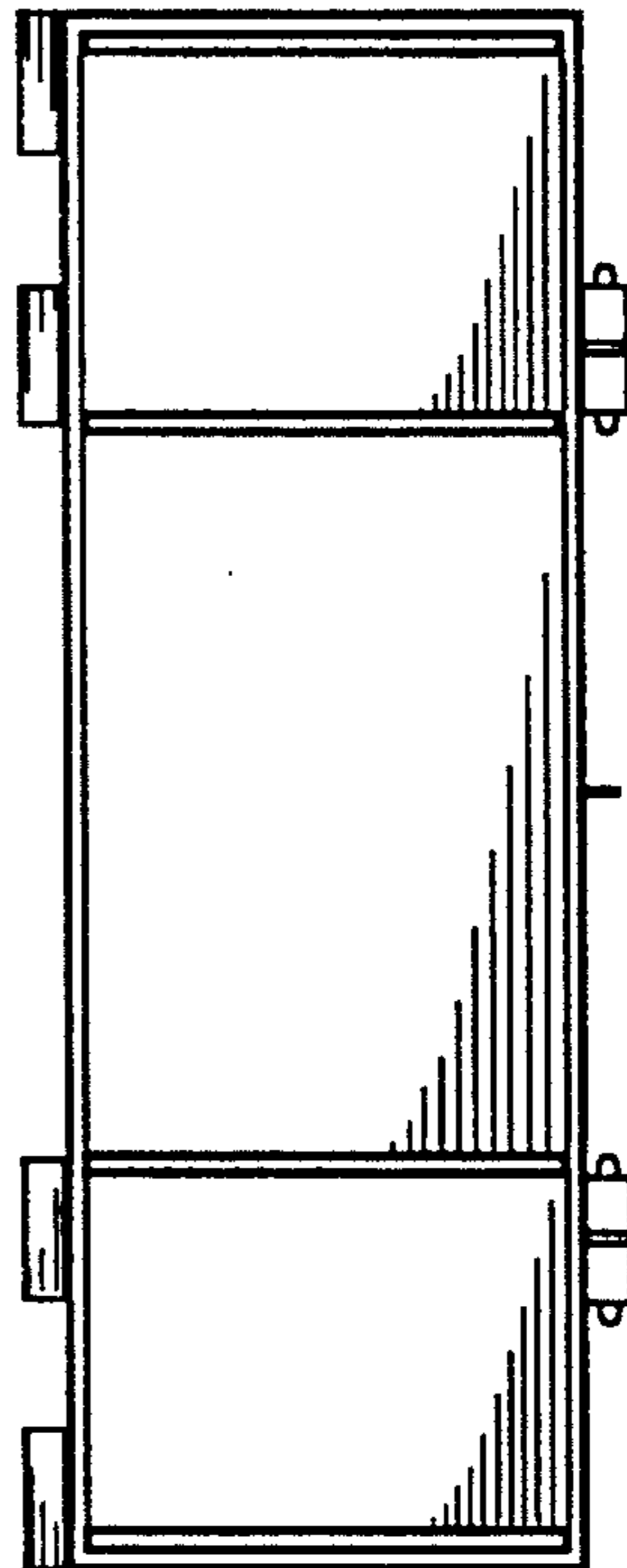


FIGURE 8

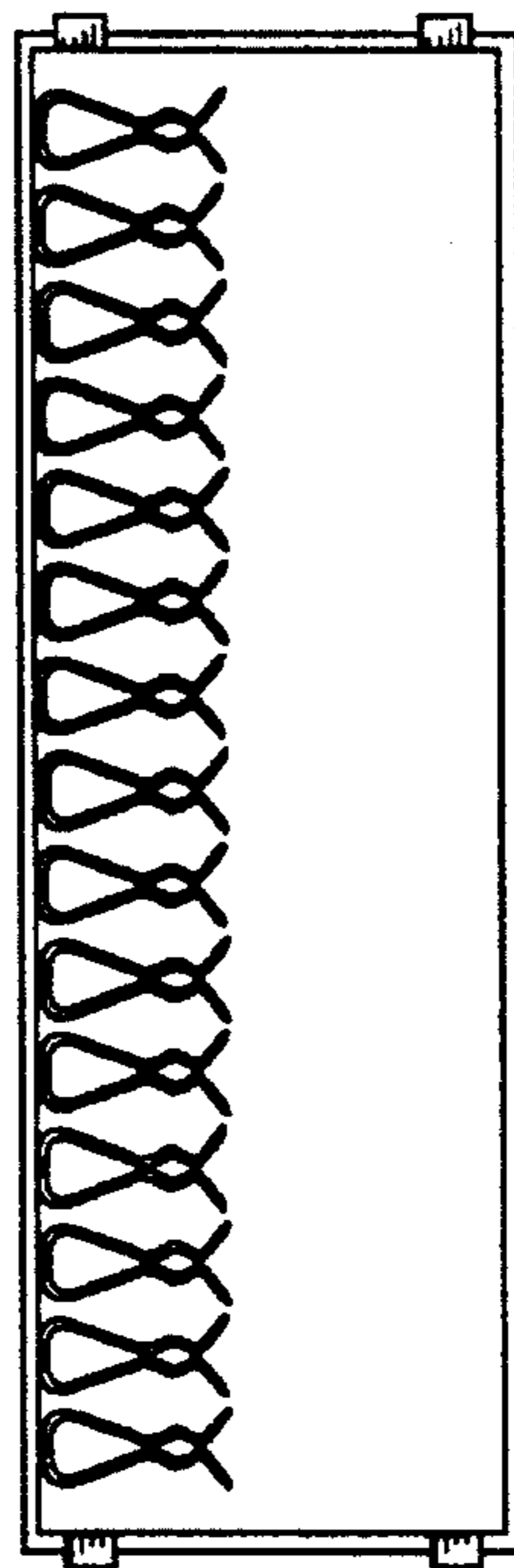


FIGURE 7