



US00D378247S

United States Patent [19]

Meisner et al.

[11] Patent Number: **Des. 378,247**

[45] Date of Patent: ****Mar. 4, 1997**

[54] **UTILITY BOX INCORPORATING AN INTEGRAL CLAMPING VISE**

[75] Inventors: **Edward H. Meisner**, Short Hills, N.J.; **Keith Kristiansen**, Stratford, Conn.; **Michael Ballone**, New Providence, N.J.; **Roberta S. Hall**, Sparks; **Michael A. Loferski**, Monkton, both of Md.; **Michael D. Dolson**, Millbrook, Canada; **Christopher Bennett**, Whitby, Canada; **John B. Mason, Sr.**; **Frank Basten**, both of Brockville, Canada; **Colin Overy**, North Augusta, Canada

[73] Assignee: **Black & Decker Inc.**, Newark, Del.

[*] Notice: The portion of the term of this patent subsequent to Nov. 26, 2010, has been disclaimed.

[**] Term: **14 Years**

[21] Appl. No.: **41,850**

[22] Filed: **Jul. 12, 1995**

Related U.S. Application Data

[63] Continuation-in-part of Ser. No. 27,533, Aug. 12, 1994, abandoned.

[52] U.S. Cl. **D3/274**; D8/71

[58] Field of Search D3/273-6, 905, D3281; D6/336, 349-50, 400; D8/70.1, 71; D9/424; D15/140-1; D25/62, 65; D32/53; 190/1, 16; 206/372-3, 499, 506, 514, DIG. 33, 216; 220/324; 297/183, 188; 269/107, 139, 236, 244

[56] References Cited

U.S. PATENT DOCUMENTS

- D. 140,494 3/1945 Aaronson et al. D15/141
- D. 250,079 10/1978 Hickman et al. D6/400
- D. 253,212 10/1979 Maruscak et al. D6/400
- D. 256,641 9/1980 Wilson D6/400
- D. 263,368 3/1982 Wagster et al. D8/74
- D. 263,533 3/1982 Ferdinand et al. .
- D. 276,861 12/1984 Keddie D6/336

- D. 314,472 2/1991 Brantingham et al. D6/336
- D. 337,898 8/1993 Chen D6/400
- D. 347,527 6/1994 Breen et al. D6/336
- D. 348,003 6/1994 Berger D8/71
- D. 354,210 1/1995 Dickinson et al. D8/71
- D. 355,828 2/1995 Dickinson et al. D8/71
- 564,782 7/1896 Doelger .
- 2,094,805 10/1937 Meier .
- 2,122,969 7/1938 Whitcomb .
- 2,759,507 8/1956 Davis et al. .
- 2,786,500 3/1957 Unterfranz .
- 4,216,949 8/1980 Hickman 269/244
- 4,278,243 7/1981 Alessio 269/139
- 4,330,113 5/1982 Ferdinand et al. 269/244
- 4,378,828 4/1983 Shiminski .
- 4,555,099 11/1985 Hilton 269/244

FOREIGN PATENT DOCUMENTS

- 427500 4/1926 Germany .

Primary Examiner—B. J. Bullock
Assistant Examiner—Robert M. Spear
Attorney, Agent, or Firm—Harness, Dickey & Pierce, P.L.C.

[57] CLAIM

The ornamental design for a utility box incorporating an integral clamping vise, as shown and described.

DESCRIPTION

FIG. 1 is a perspective view of a utility box incorporating an integral clamping vise, showing our new design which is shown with the box in an open position and with an auxiliary tray installed;

FIG. 2 is a right side elevational view of the utility box shown in FIG. 1;

FIG. 3 is a left side elevational view of the utility box shown in FIG. 1;

FIG. 4 is a front elevational view of the utility box shown in FIG. 1;

FIG. 5 is a rear elevational view of the utility box shown in FIG. 1;

FIG. 6 is a top plan view of the utility box shown in FIG. 1;

FIG. 7 is a bottom plan view of the utility box shown in FIG. 1;

FIG. 8 is a perspective view of the design for the utility box shown if FIG. 1 with the auxiliary tray removed;

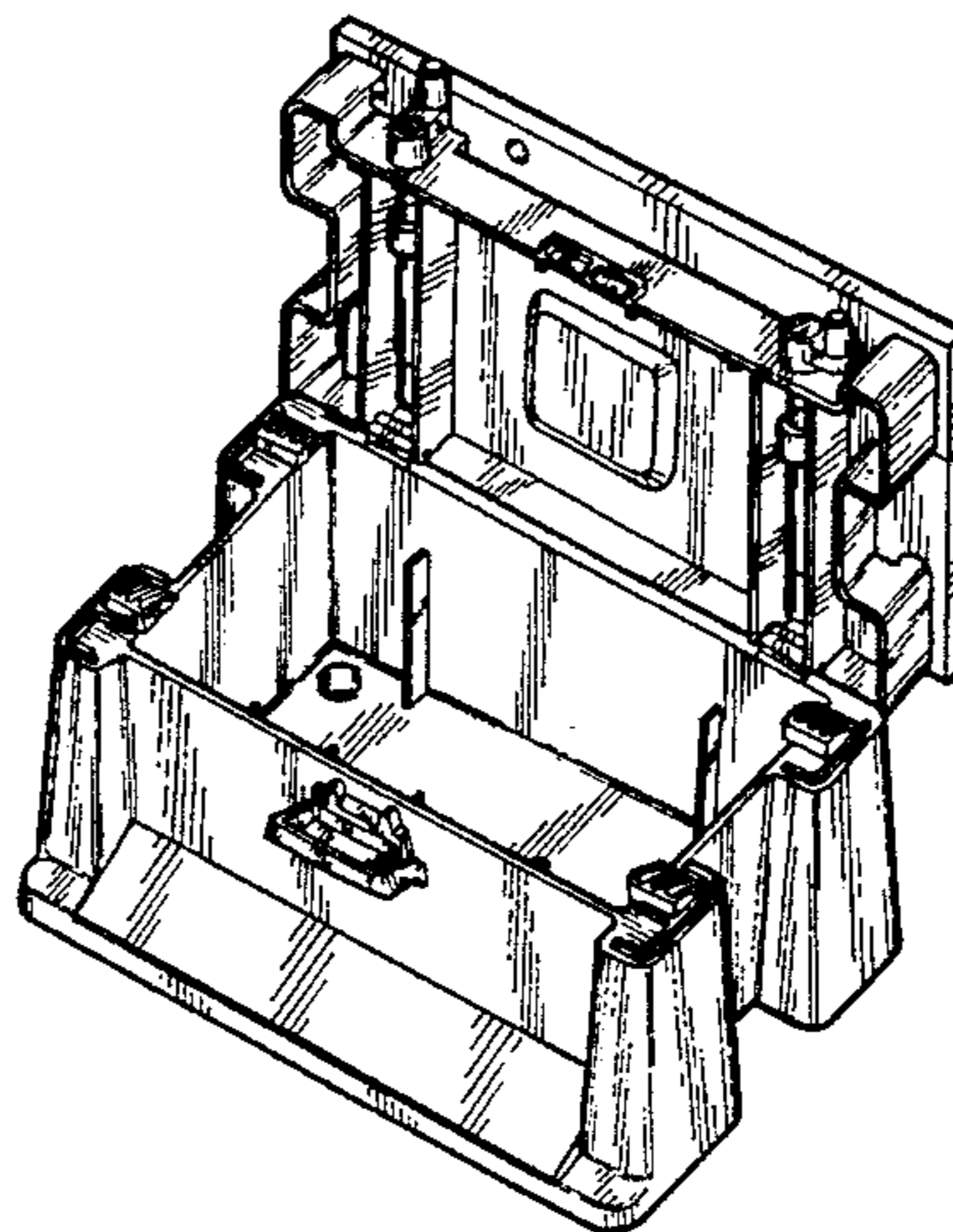
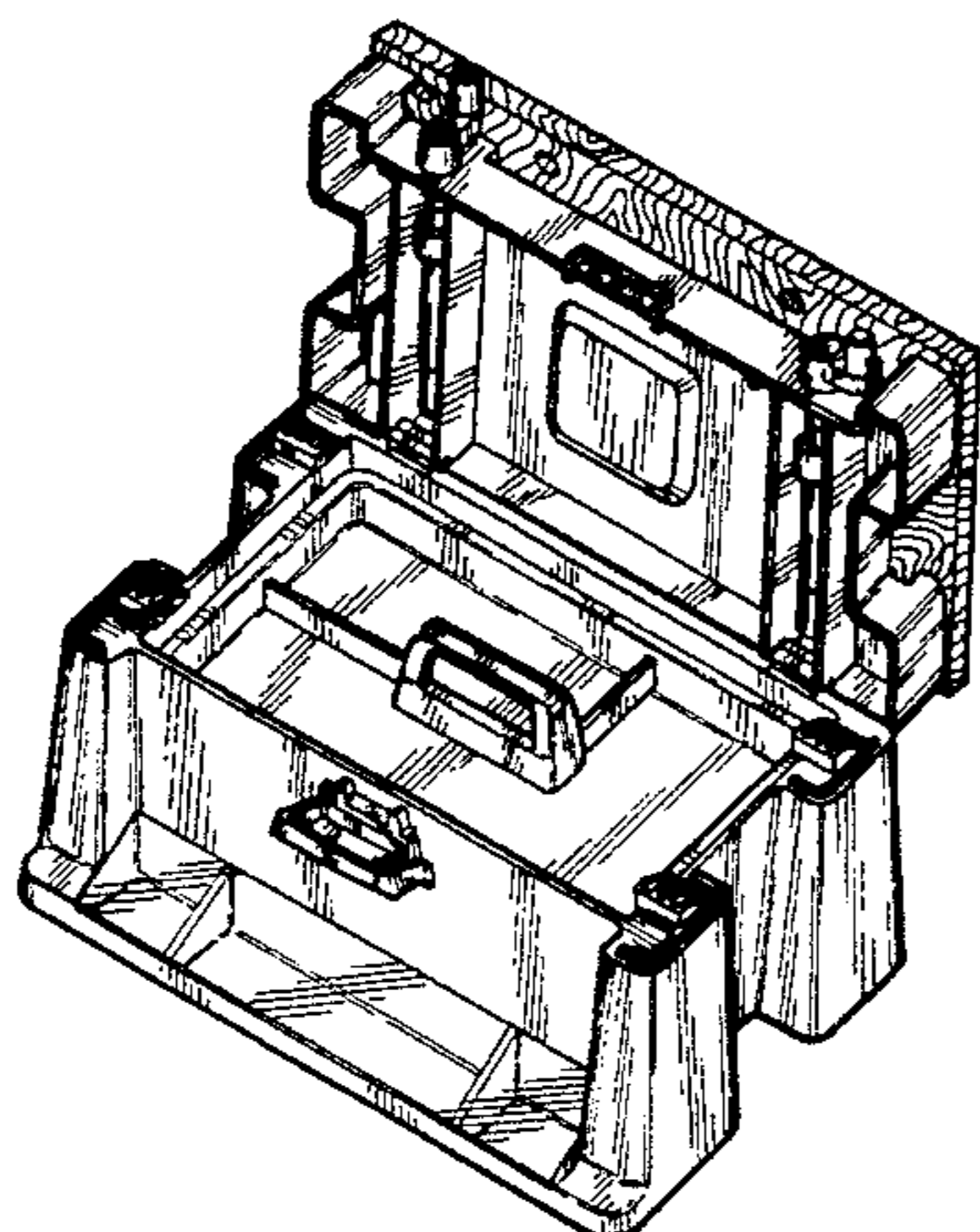


FIG. 9 is a right side elevational view of the utility box shown in FIG. 8;

FIG. 10 is a left side elevational view of the utility box shown in FIG. 8;

FIG. 11 is a front elevational view of the utility box shown in FIG. 8;

FIG. 12 is a top plan view of the utility box shown in FIG. 8;

FIG. 13 is a perspective view of the design for the utility box shown in FIG. 1 with both the auxiliary tray and pegs removed;

FIG. 14 is a partially exploded view of the utility box shown in view 1 with the auxiliary tray and pegs shown in the exploded condition;

FIG. 15 is a perspective view similar to FIG. 1, of the design for a utility box incorporating an integral vise according to another embodiment of the present invention differing only in the composition of the clamping jaws of the integral vise and that the exteriorly located tray has an opaque cover; and, FIG. 16 is a perspective view, similar to FIG. 8 of the design for a utility box incorporating an integral clamping vise according to another embodiment of the present invention differing only in the composition of the clamping jaws of the integral vise and that the exteriorly located tray has an opaque cover.

1 Claim, 10 Drawing Sheets

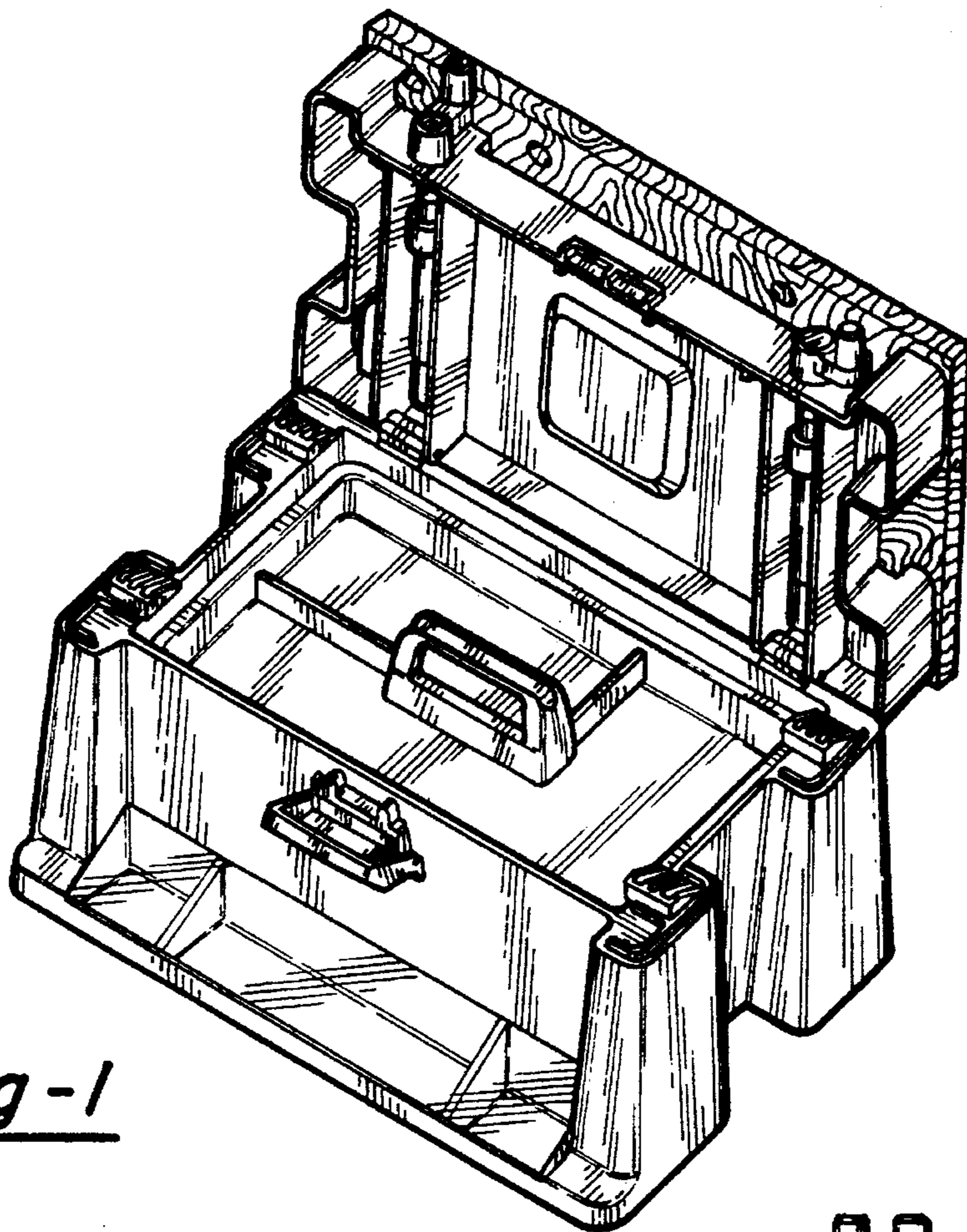


Fig-1

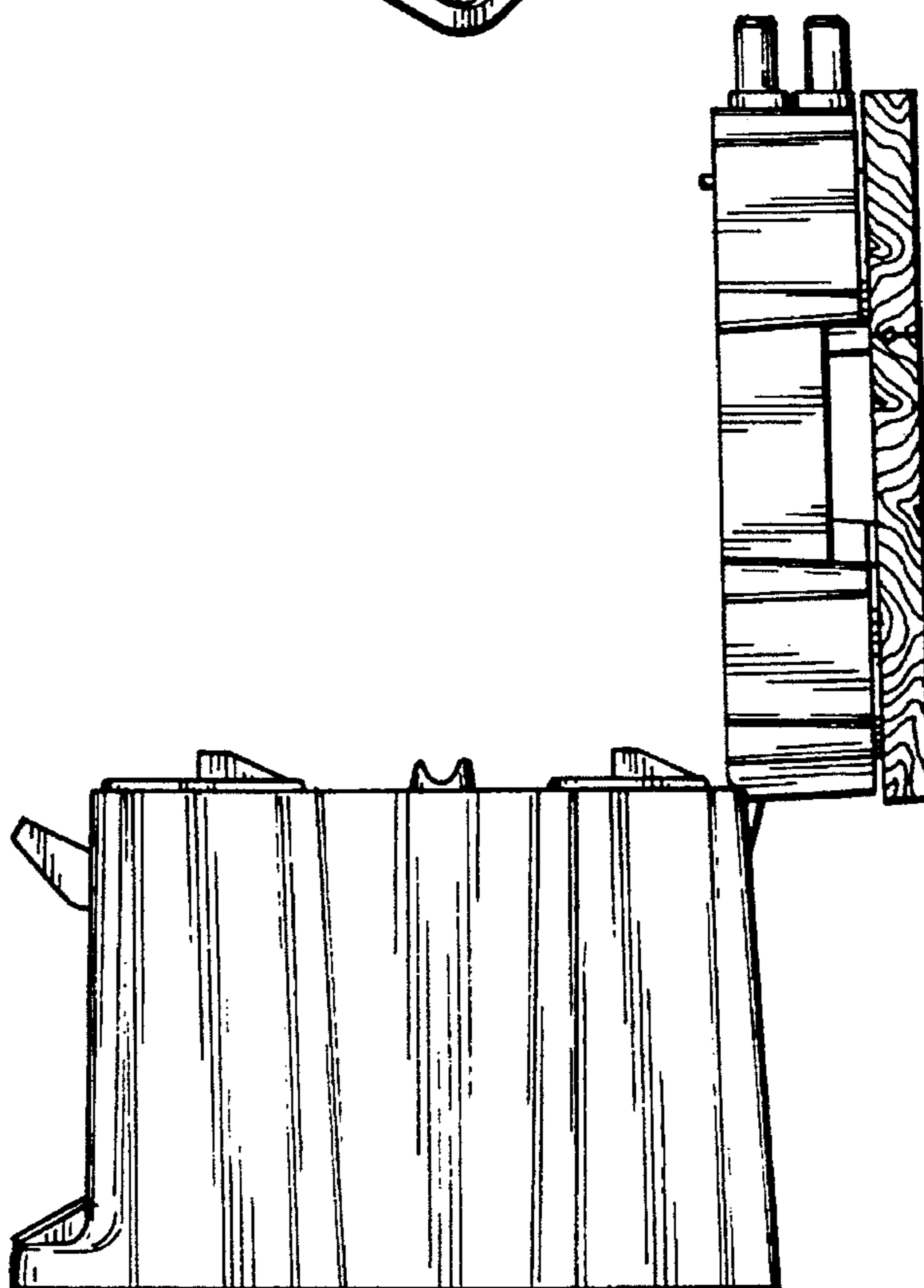


Fig-2

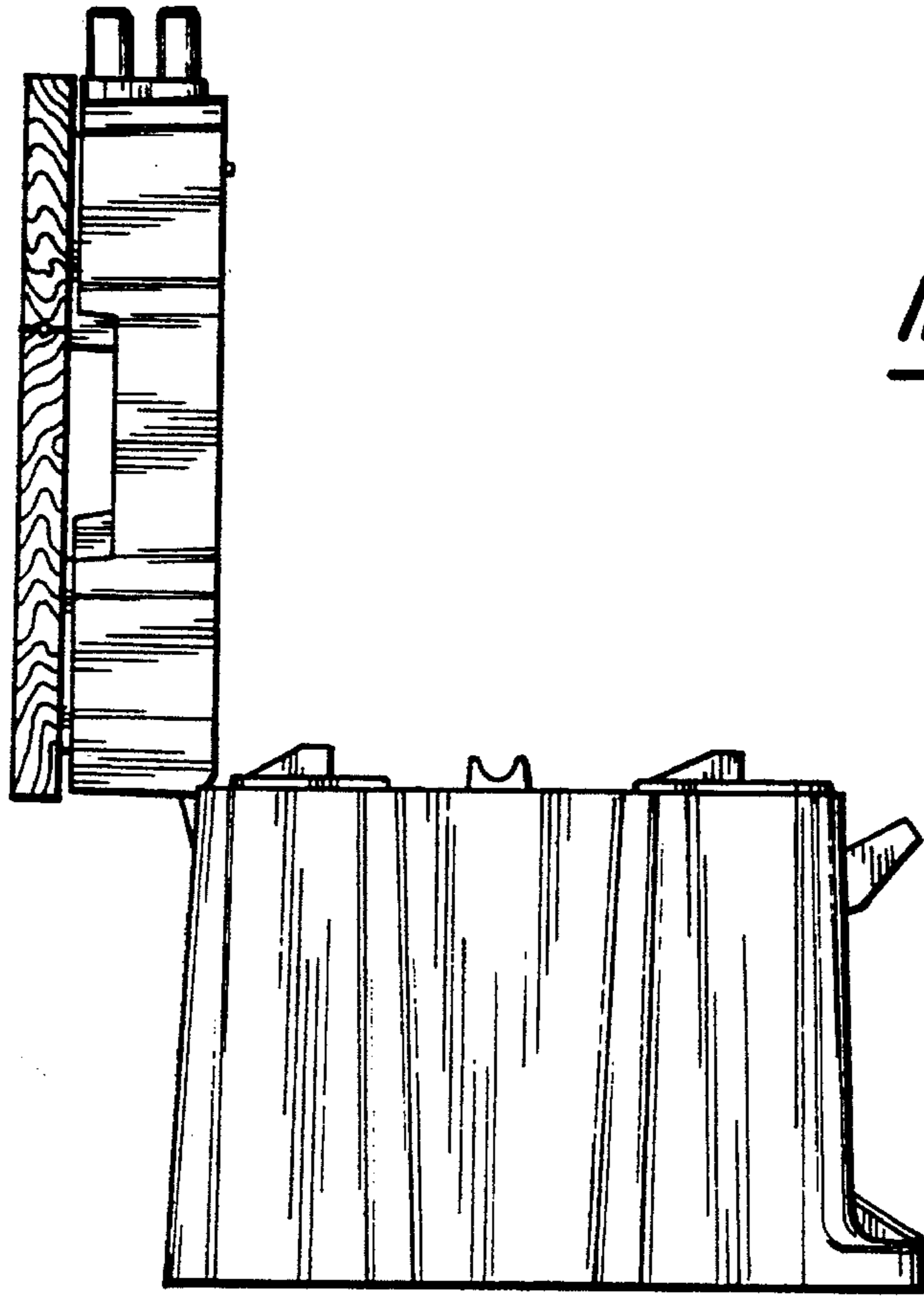


Fig - 3

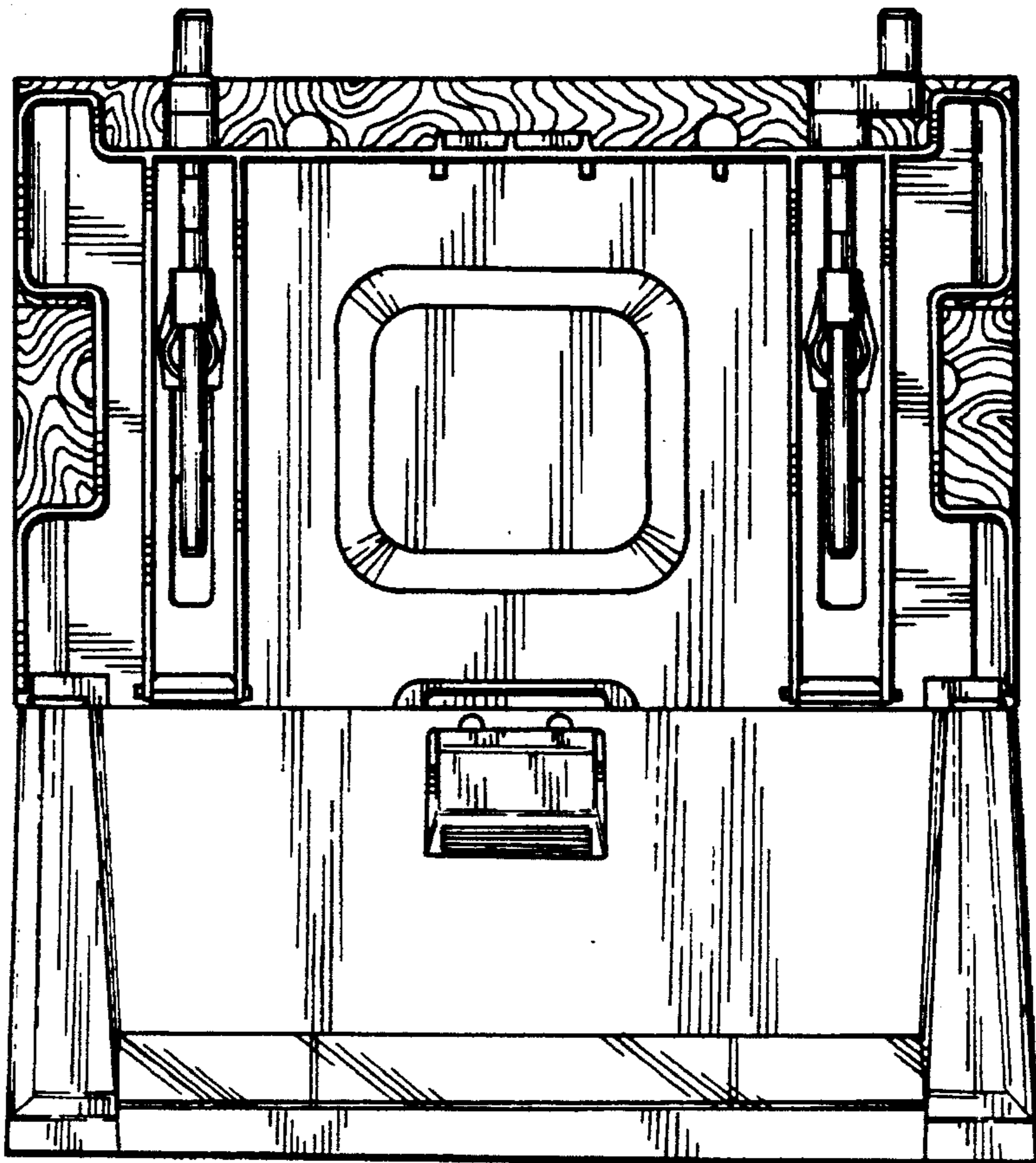


Fig - 4

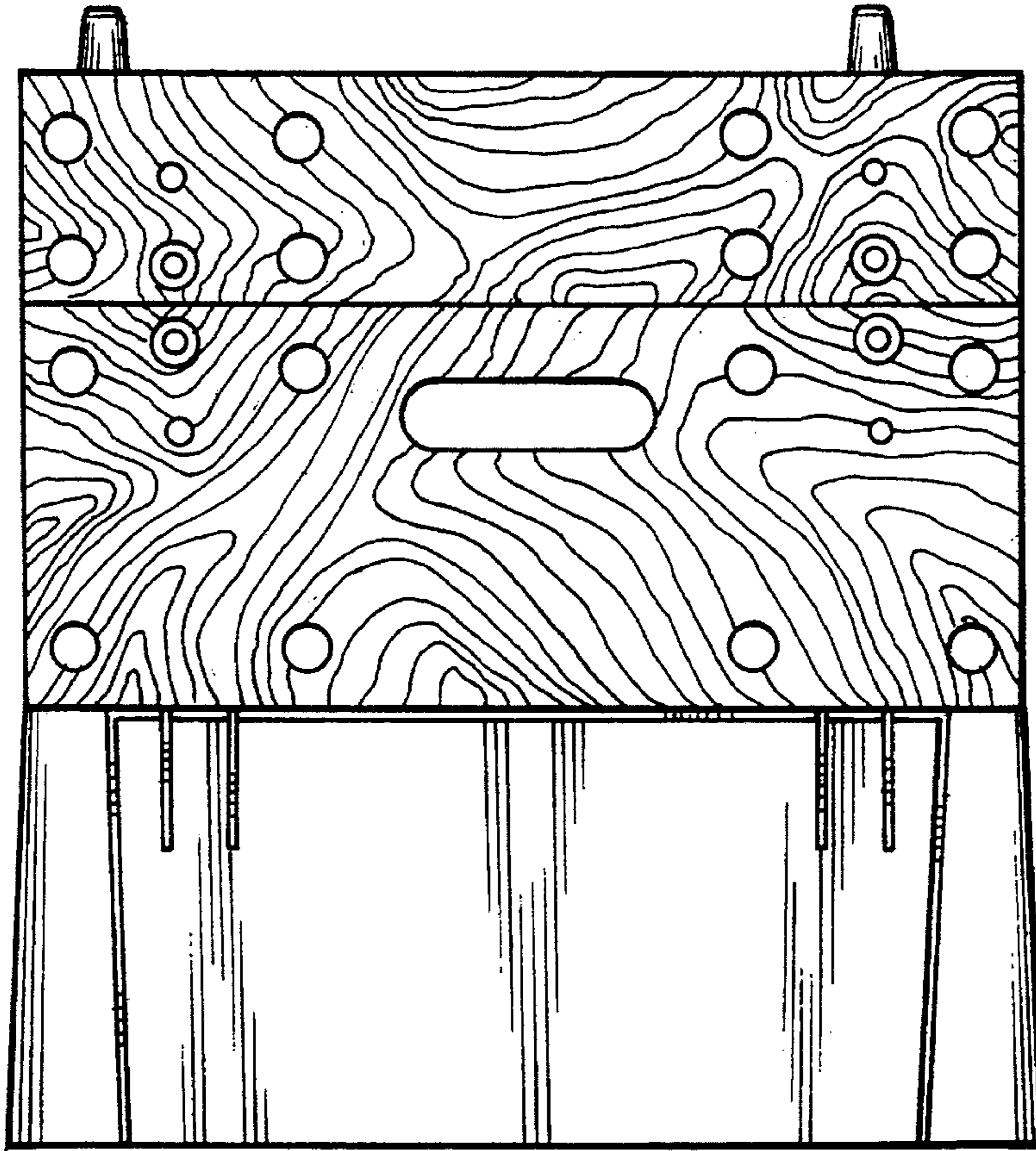


Fig-5

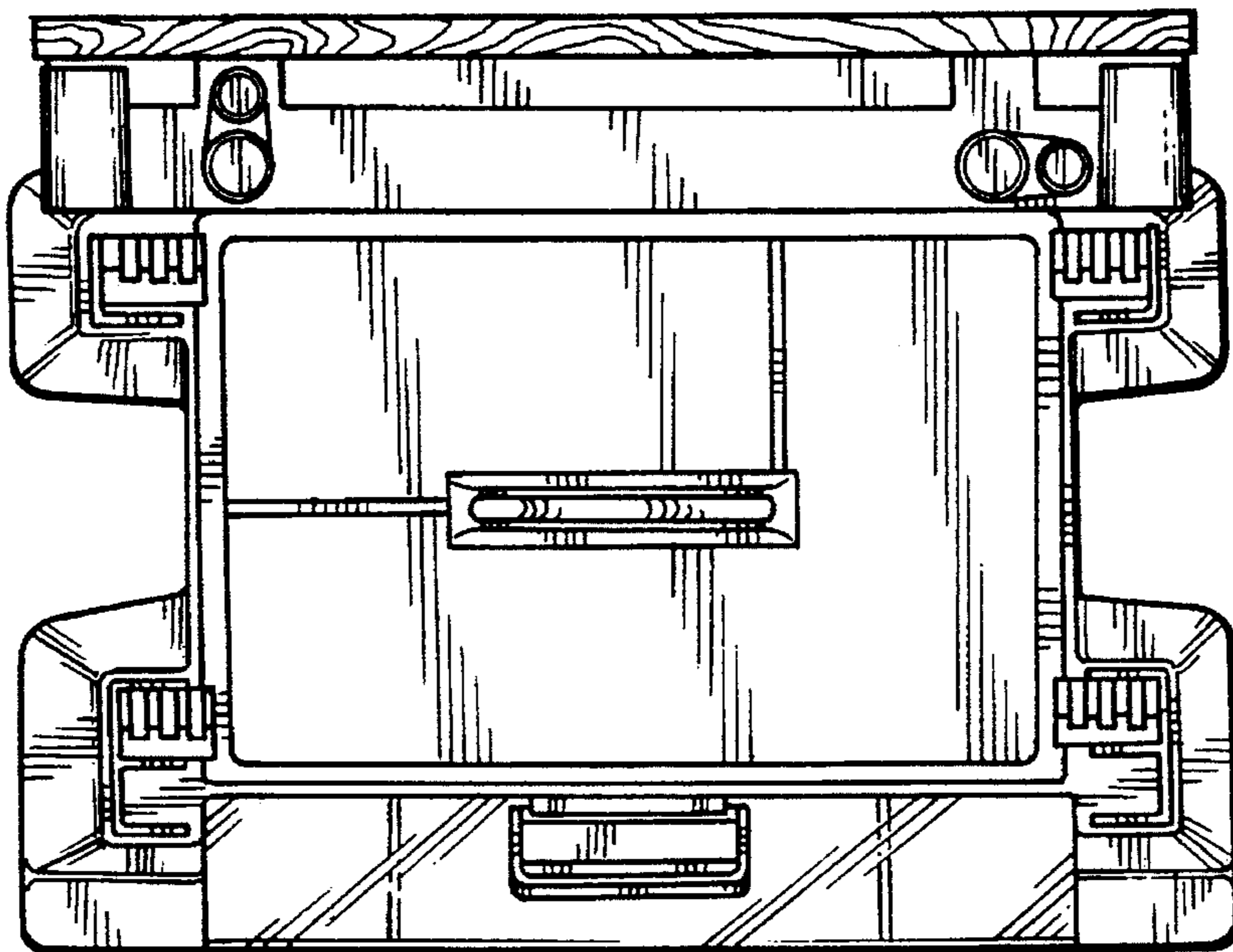


Fig-6

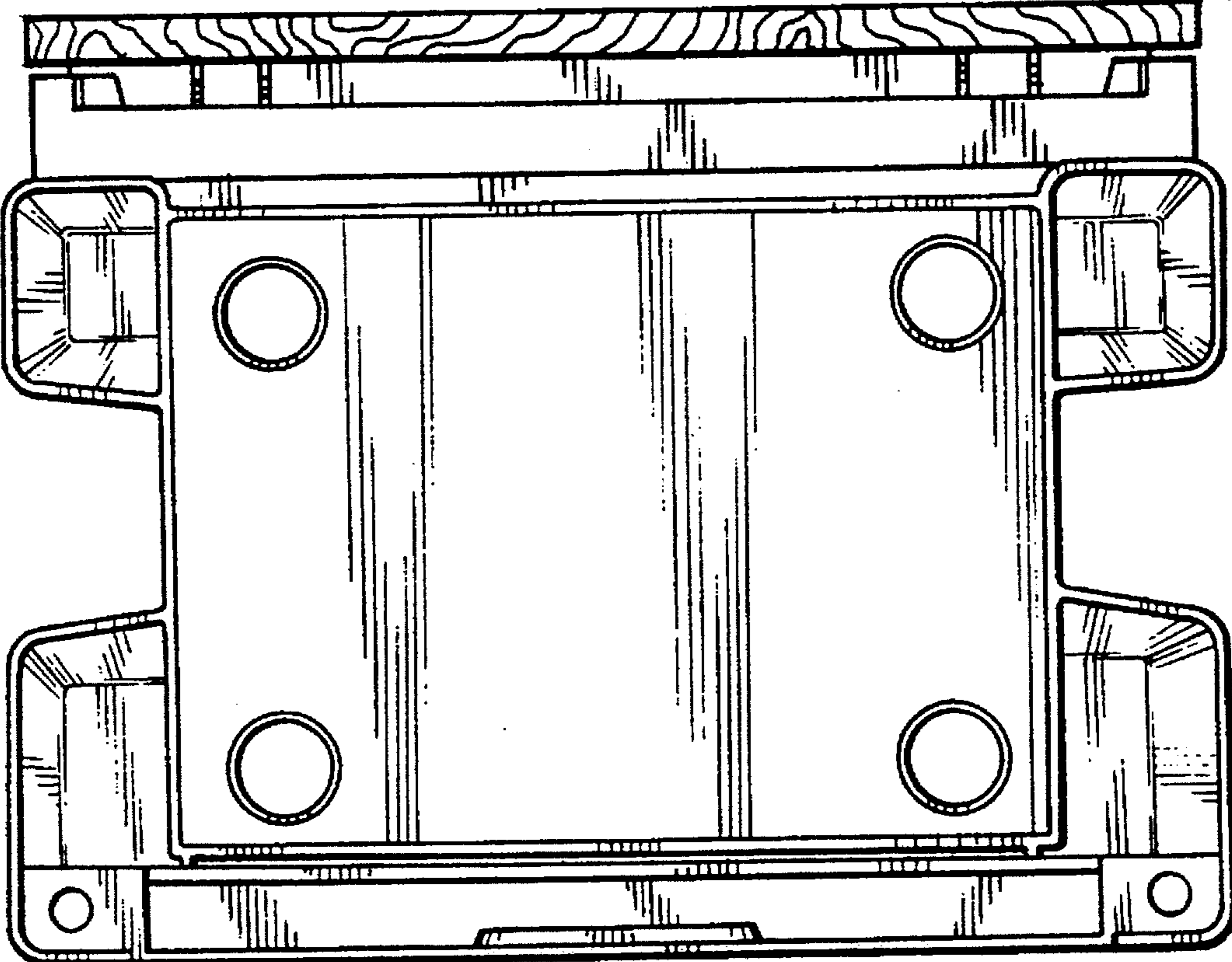


Fig - 7

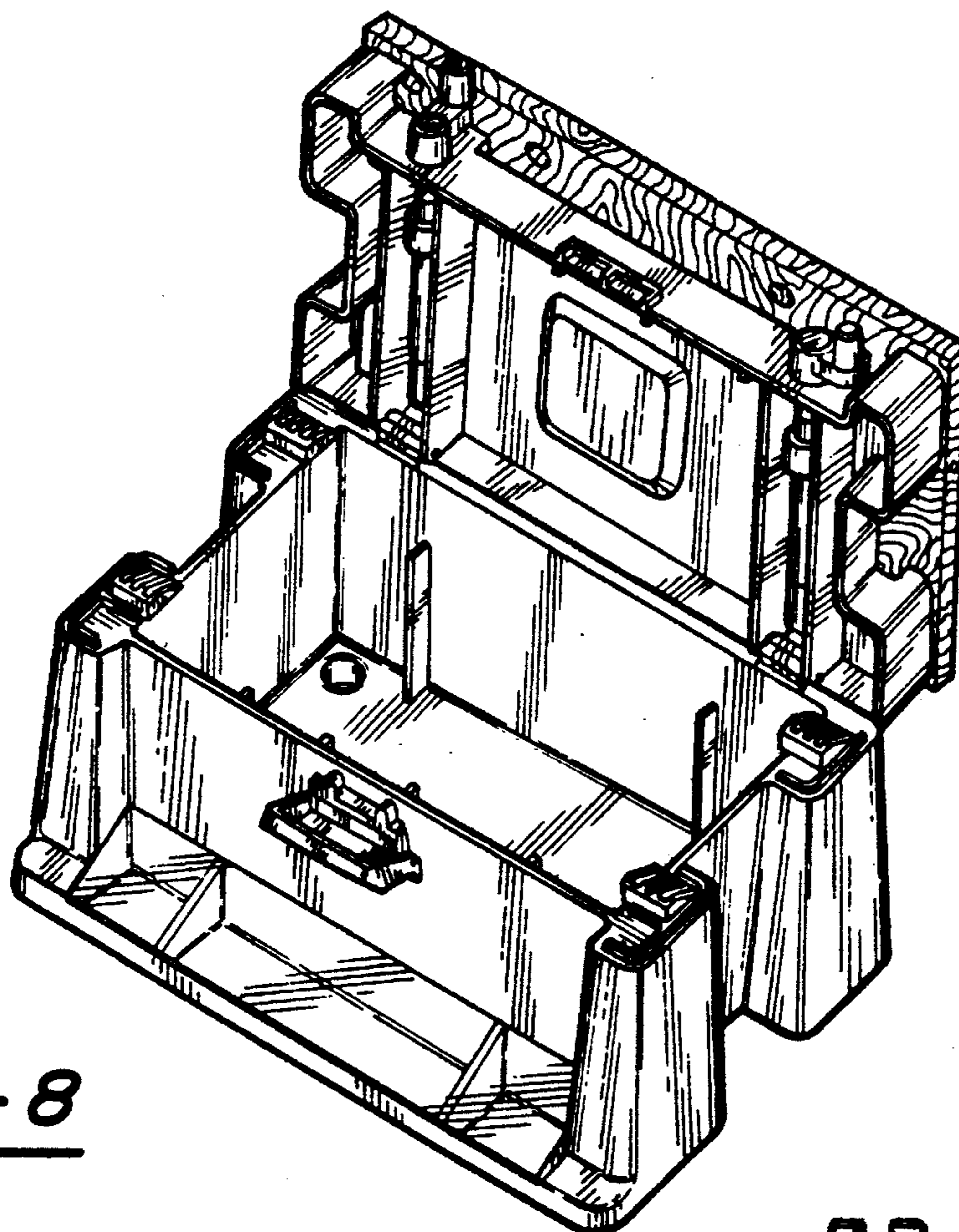


Fig-8

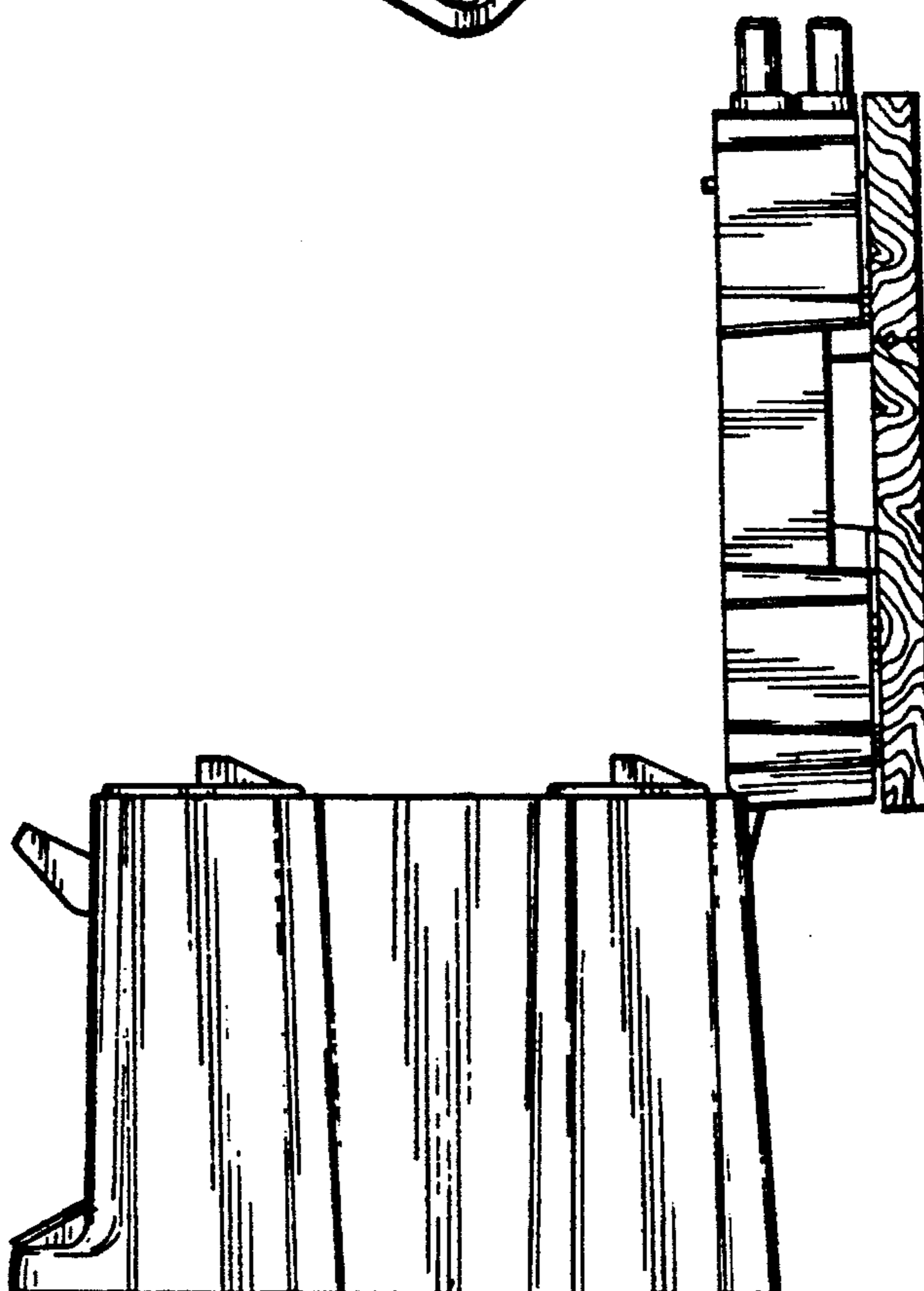


Fig-9

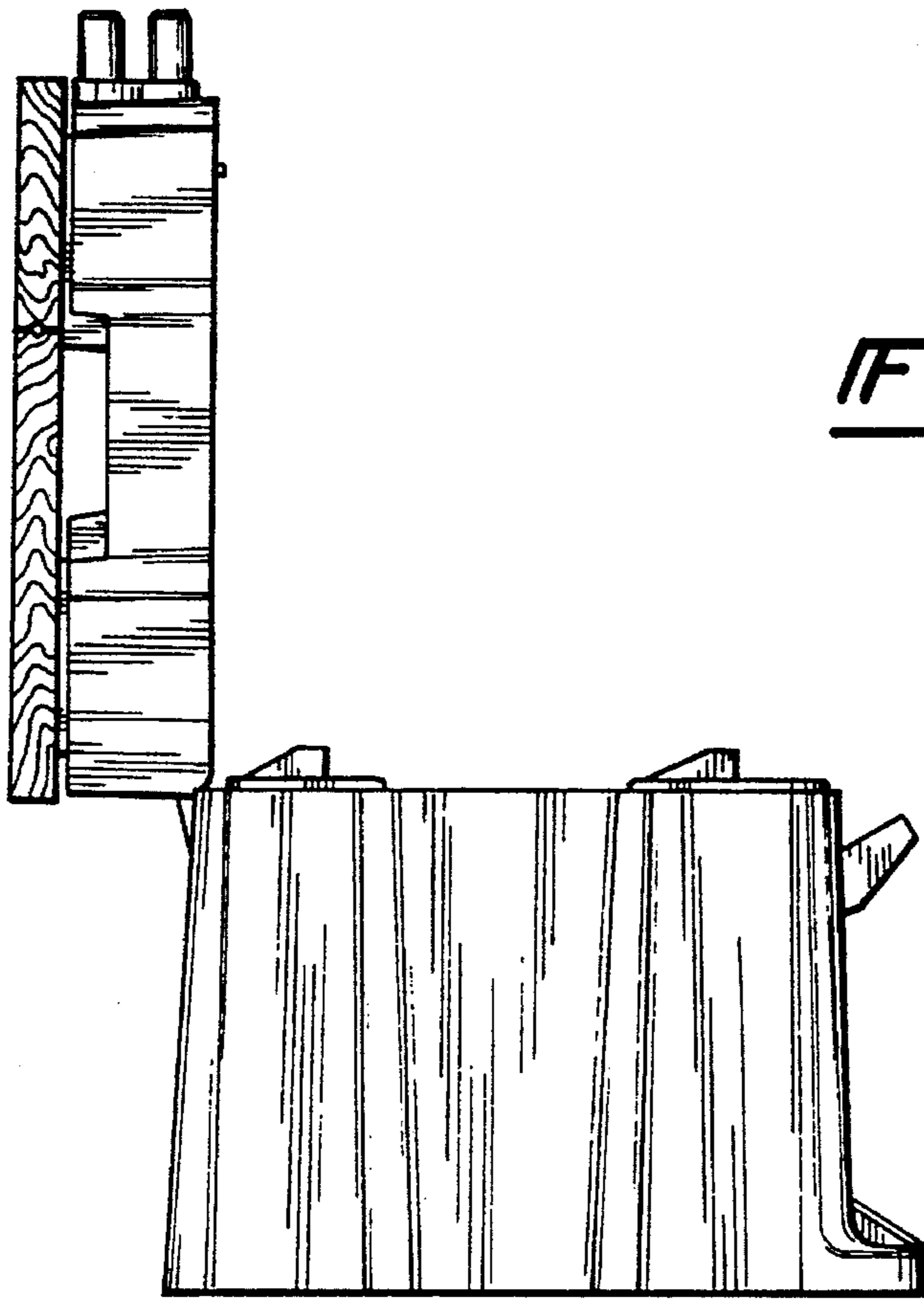
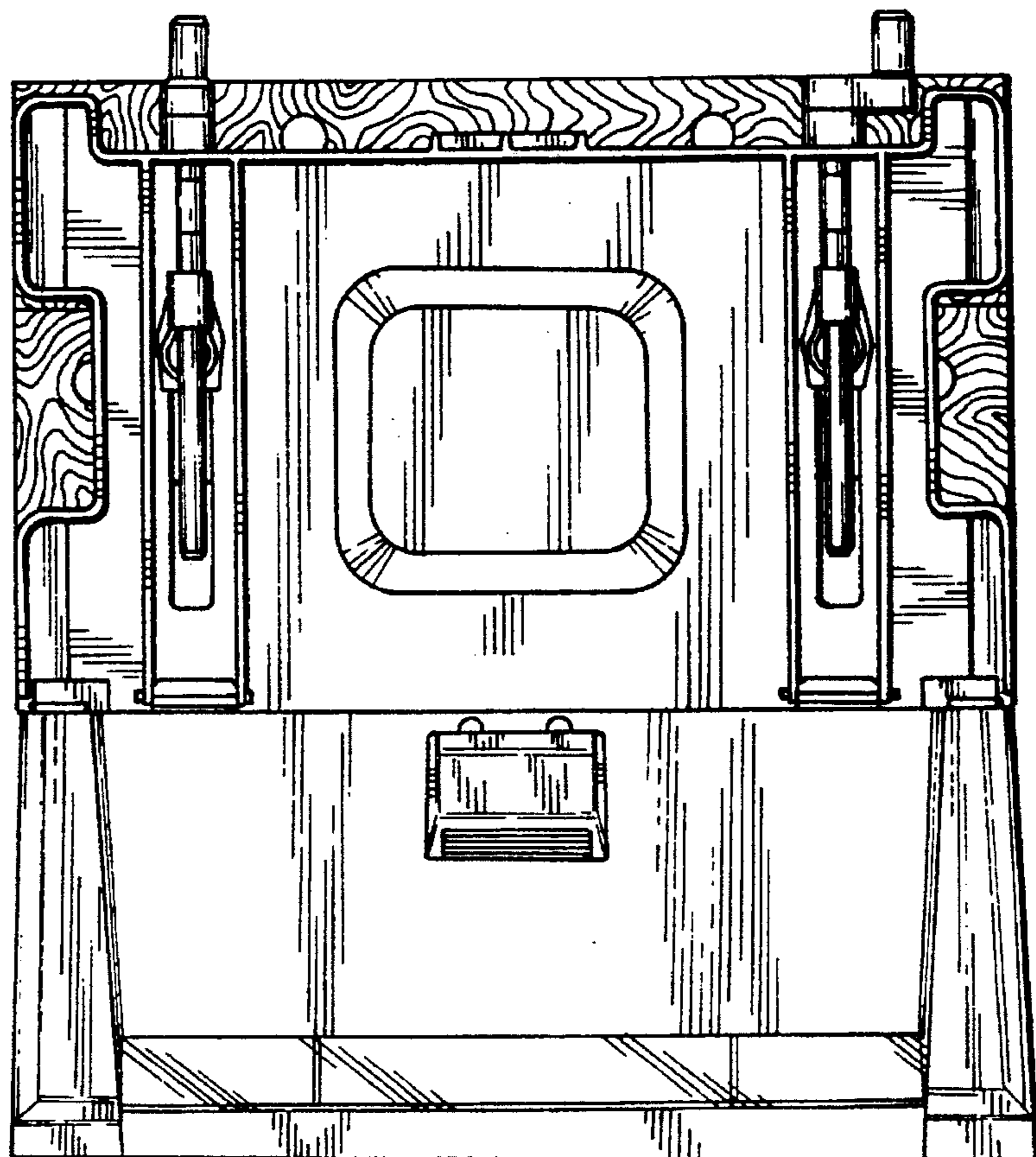


Fig - 10

Fig - 11



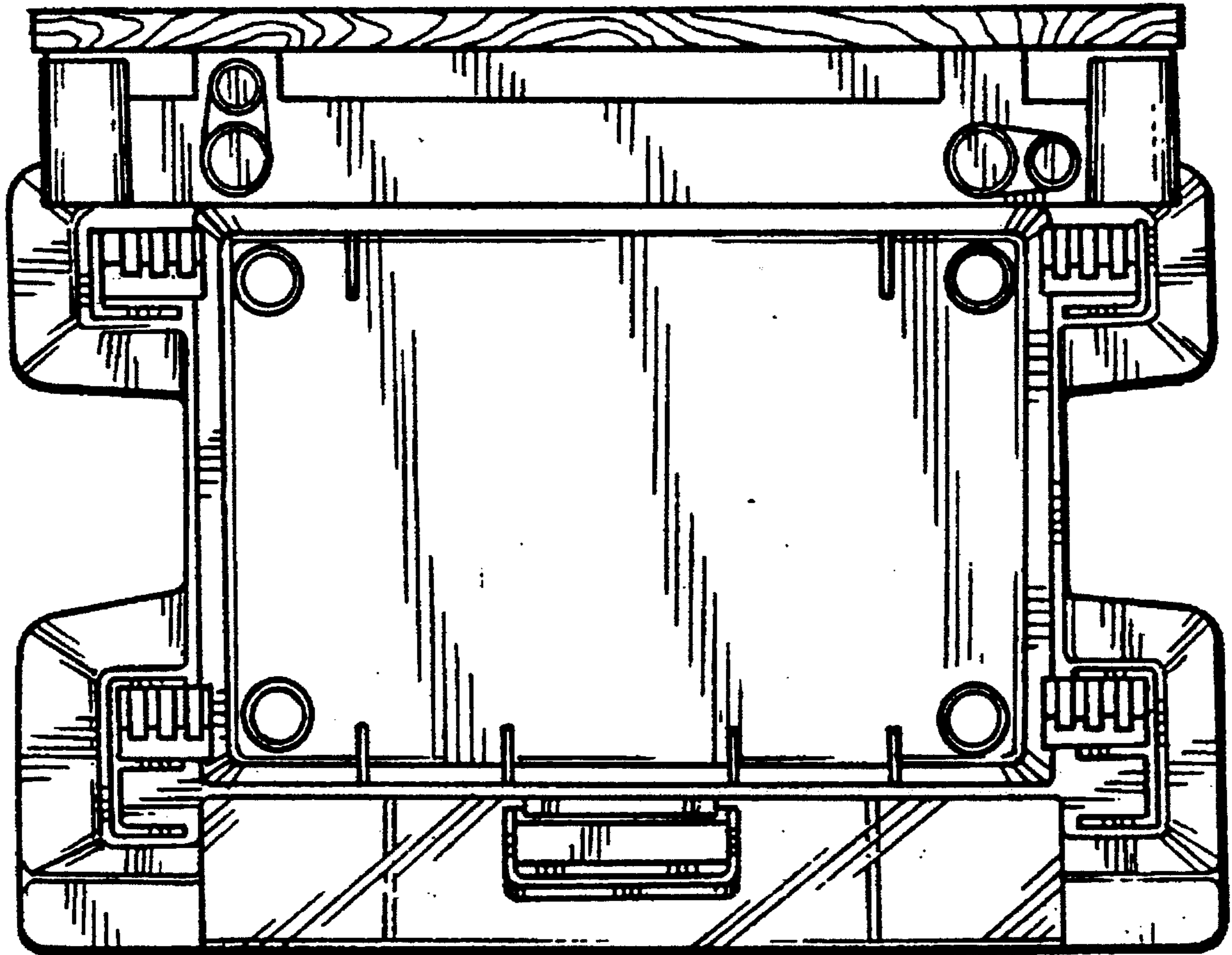


Fig - 12

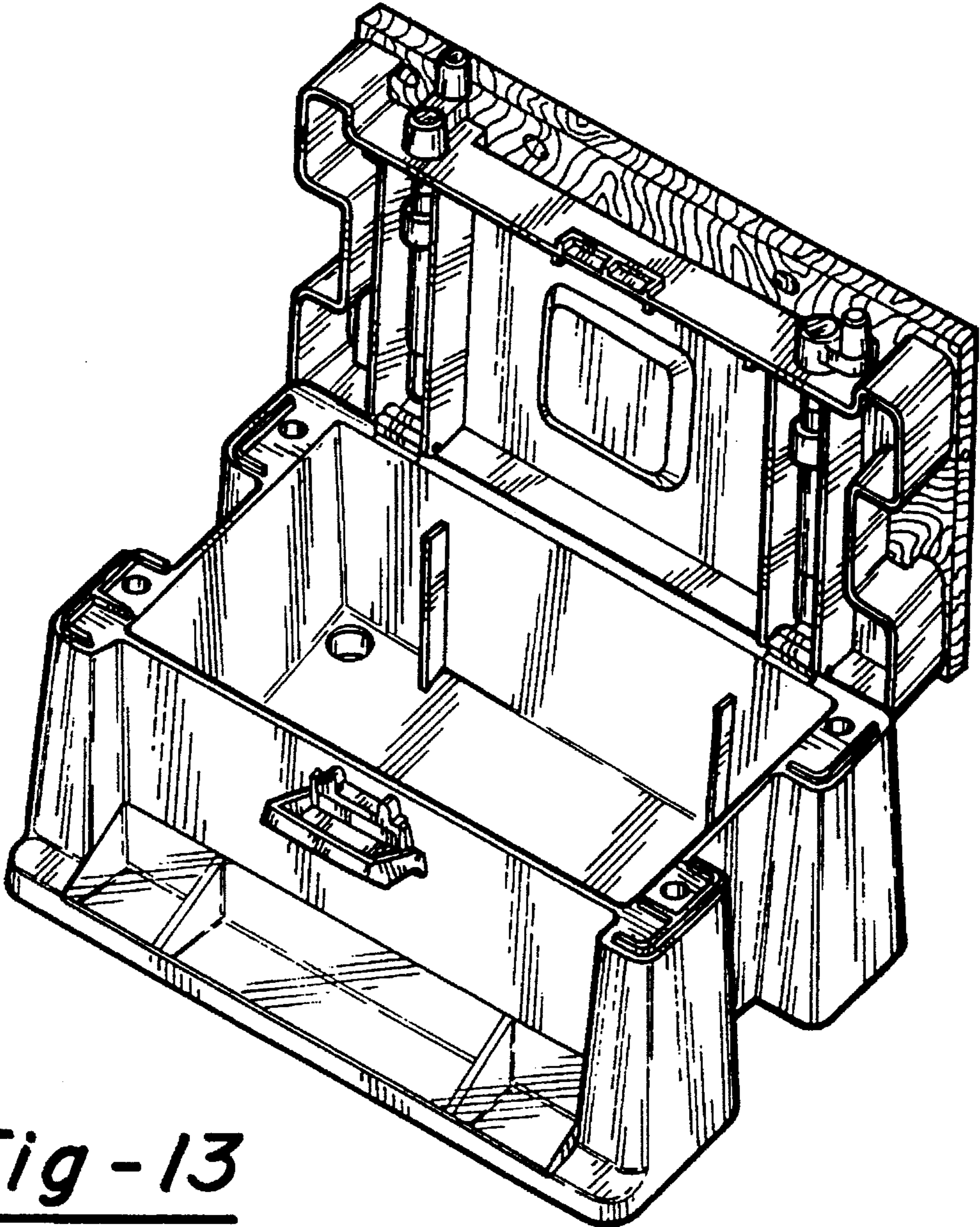


Fig - 13

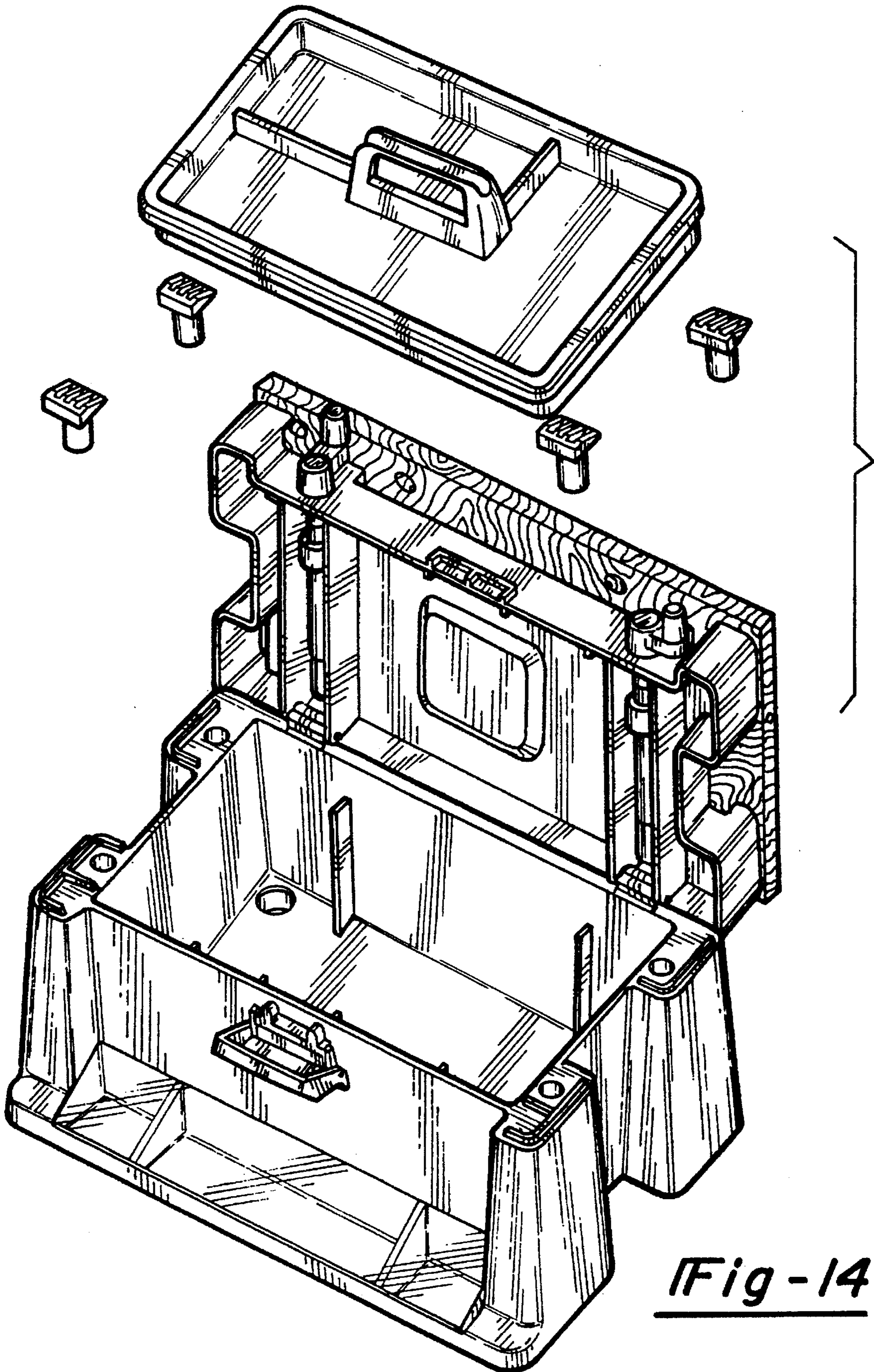


Fig - 14

Fig-15

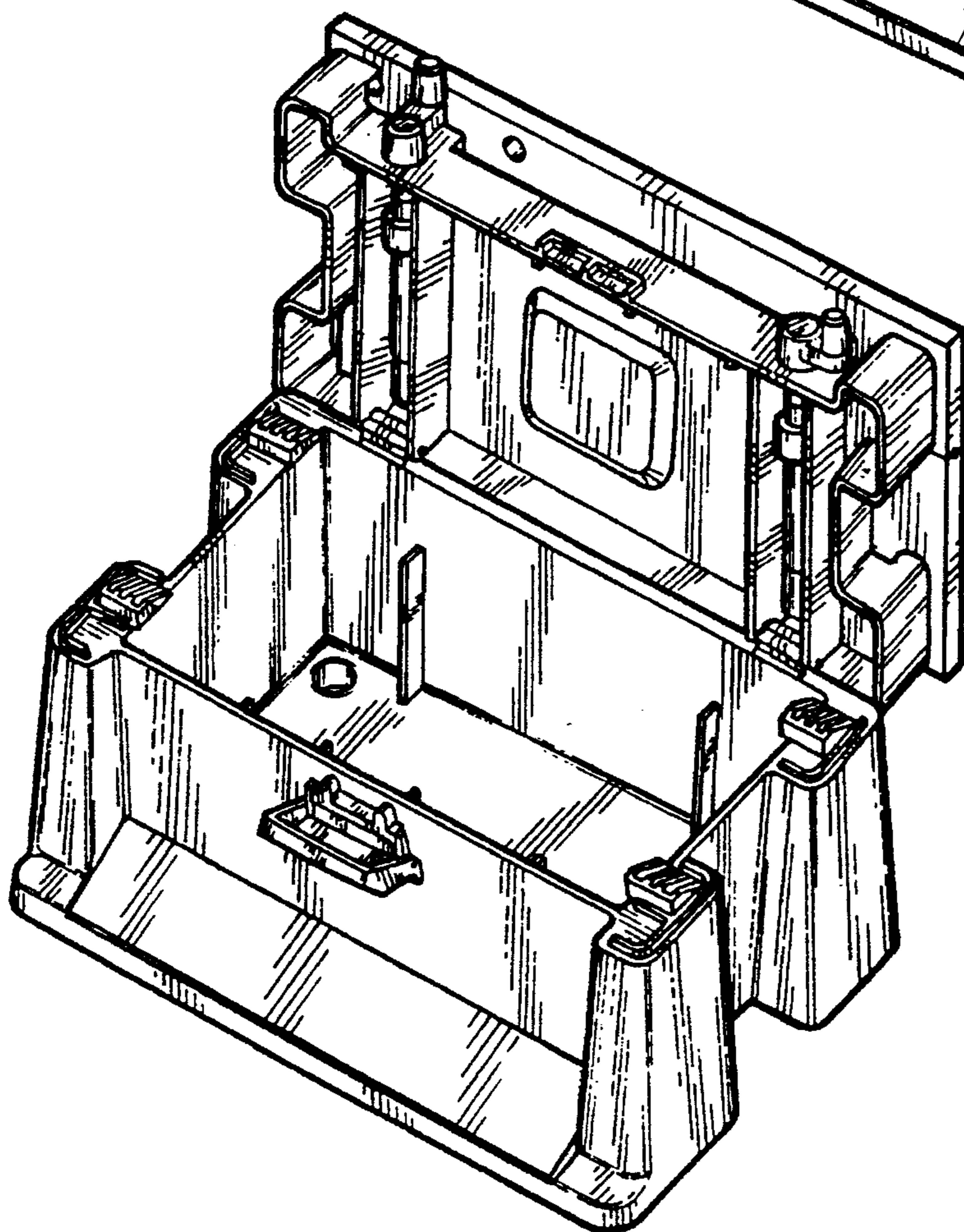
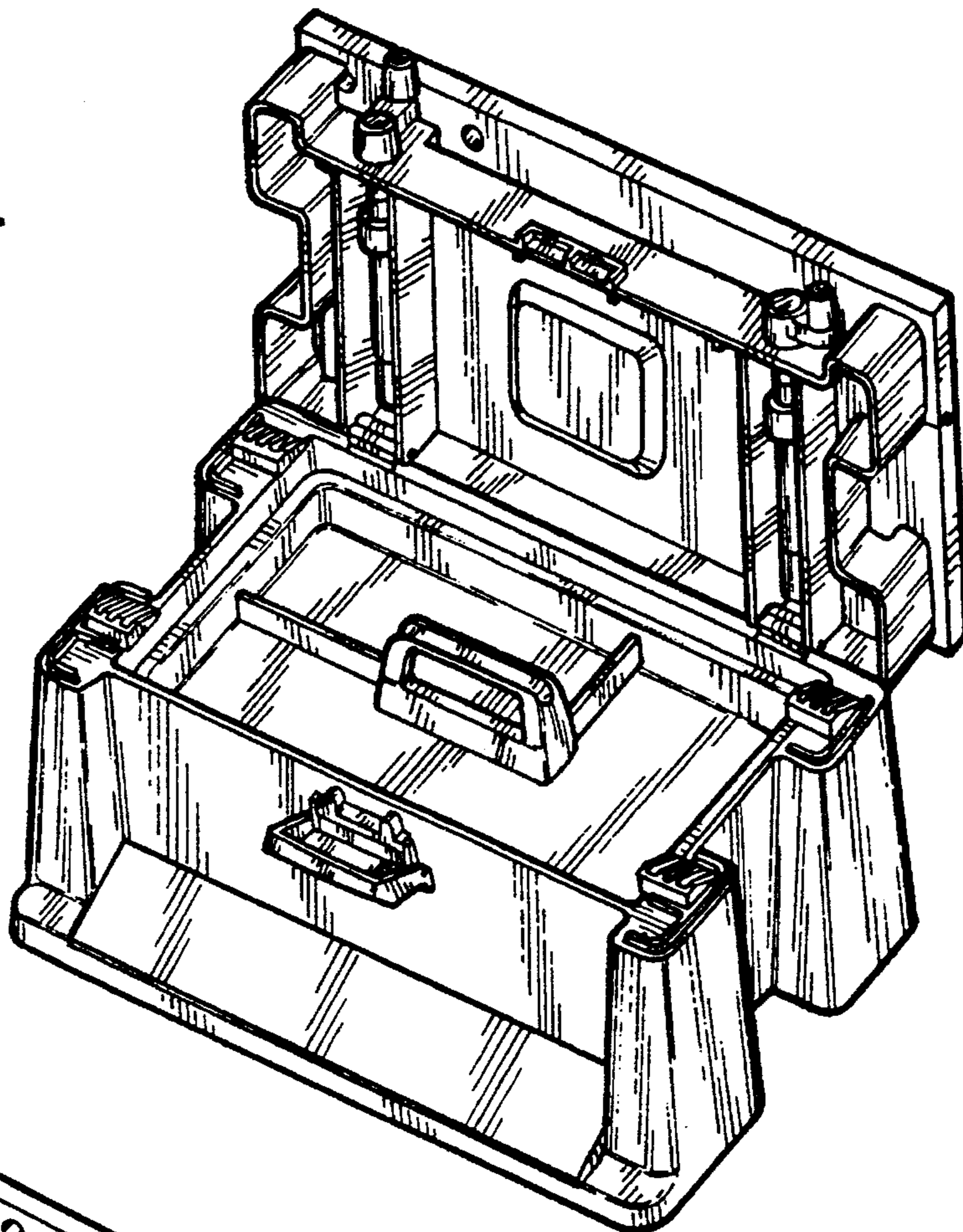


Fig-16