



US00D378244S

United States Patent [19]
Cassida

[11] **Patent Number: Des. 378,244**
[45] **Date of Patent: **Mar. 4, 1997**

[54] **HANDBAG**

2,080,453 5/1937 Kraut 150/118 X
3,675,843 7/1972 Polansky 383/2

[76] Inventor: **Michele R. Cassida**, 7166 White
Buffalo Rd., Colorado Springs, Colo.
80919

Primary Examiner—Louis S. Zarfes
Assistant Examiner—Monica A. Hannon
Attorney, Agent, or Firm—Harold H. Dutton, Jr.; W. Charles
L. Jamison; Diane F. Liebman

[**] Term: **14 Years**

[21] Appl. No.: **39,470**

[57] **CLAIM**

The ornamental design for a handbag, as shown.

[22] Filed: **May 26, 1995**

[52] U.S. Cl. **D3/243; D3/233**

DESCRIPTION

[58] **Field of Search** D3/201, 232, 233,
D3/234, 240, 242, 243, 245, 246, 902;
150/107, 110, 112, 118, 127; 190/109; 383/2,
4, 38, 106

FIG. 1 is a front view of a handbag showing my new design;
FIG. 2 is a front view with the bag open thereof;
FIG. 3 is a rear view with the bag open thereof;
FIG. 4 is a right side view thereof;
FIG. 5 is a top view thereof; and,
FIG. 6 is a bottom view thereof.

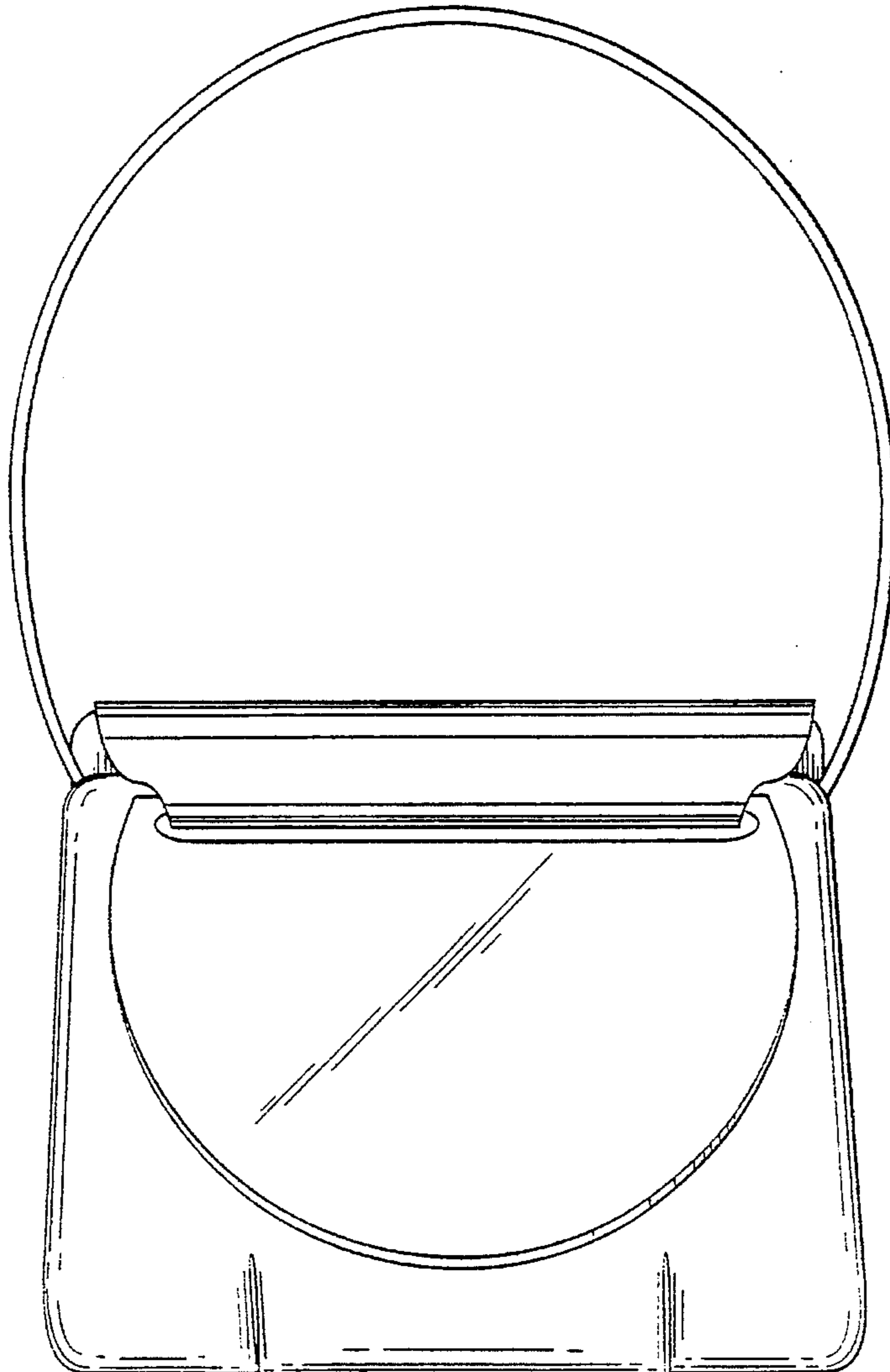
The detachable plaque in FIGS. 2 and 3 has been shown
removed for ease of illustration.

[56] **References Cited**

U.S. PATENT DOCUMENTS

D. 155,886 11/1949 Goldberg D3/243
D. 330,961 11/1992 Monneret D3/233 X
1,353,866 9/1920 Vonreeé 383/4 X
1,810,813 6/1931 Bertini 383/38

1 Claim, 4 Drawing Sheets



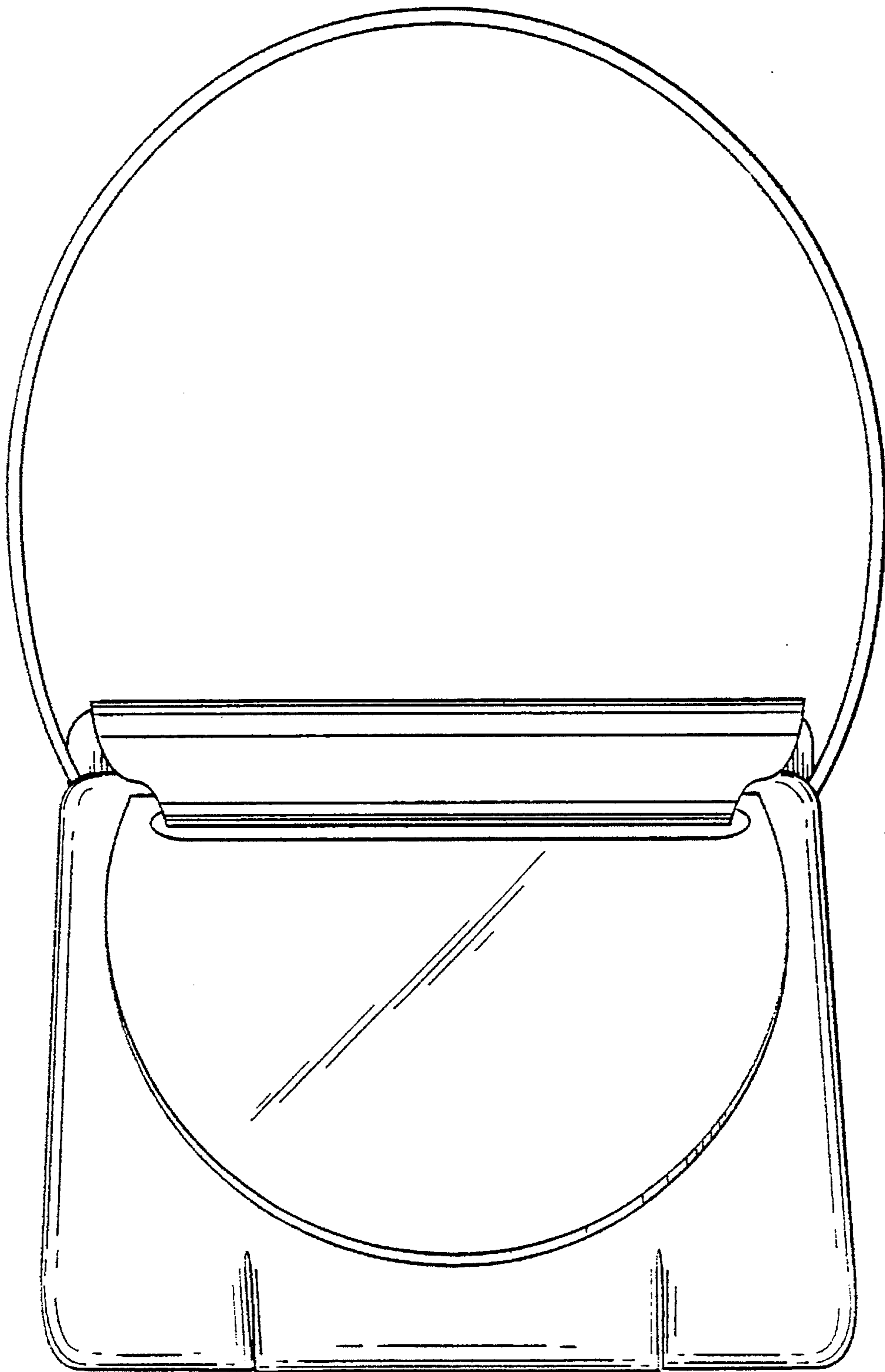


FIG. 1

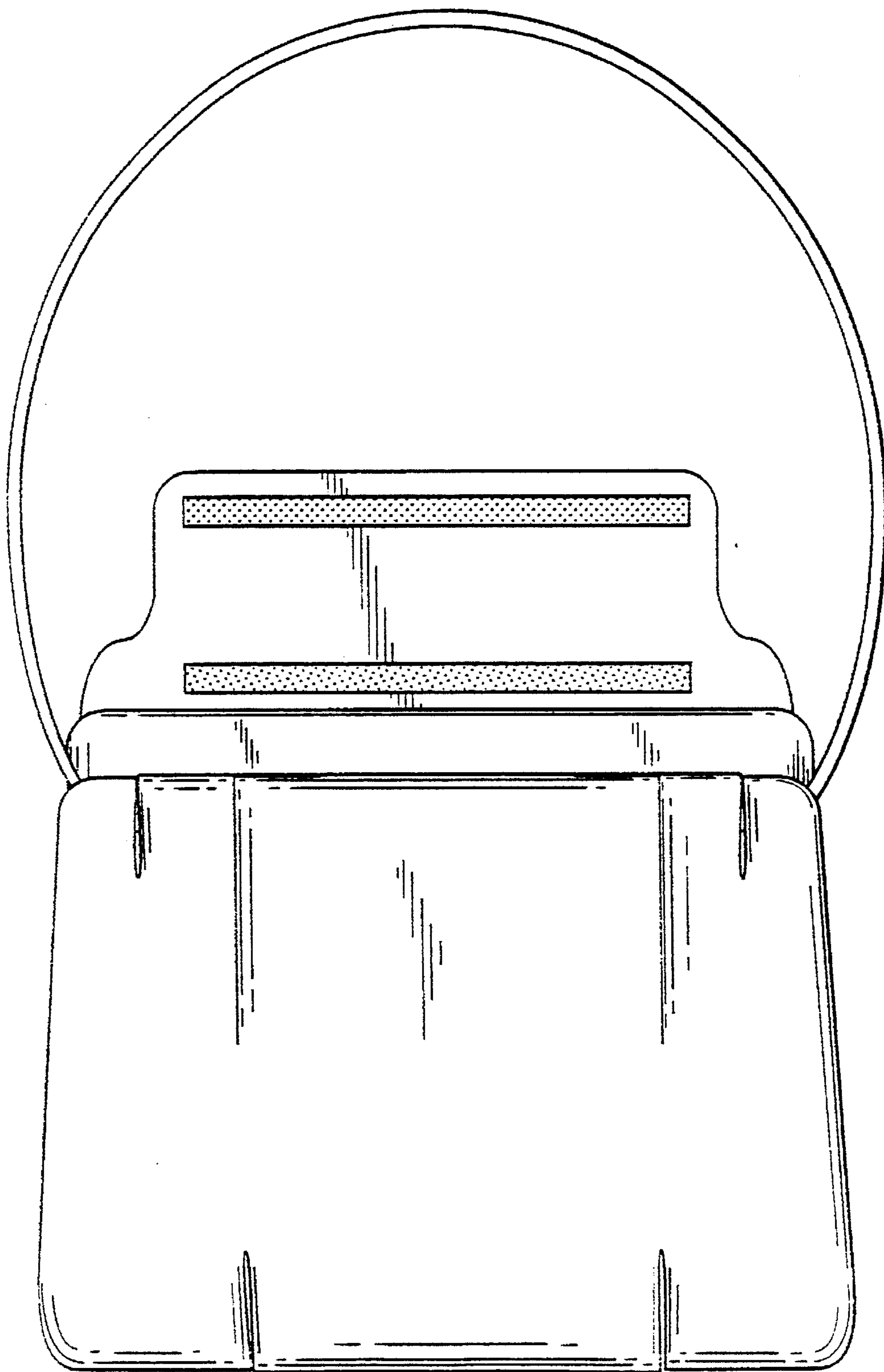


FIG. 2

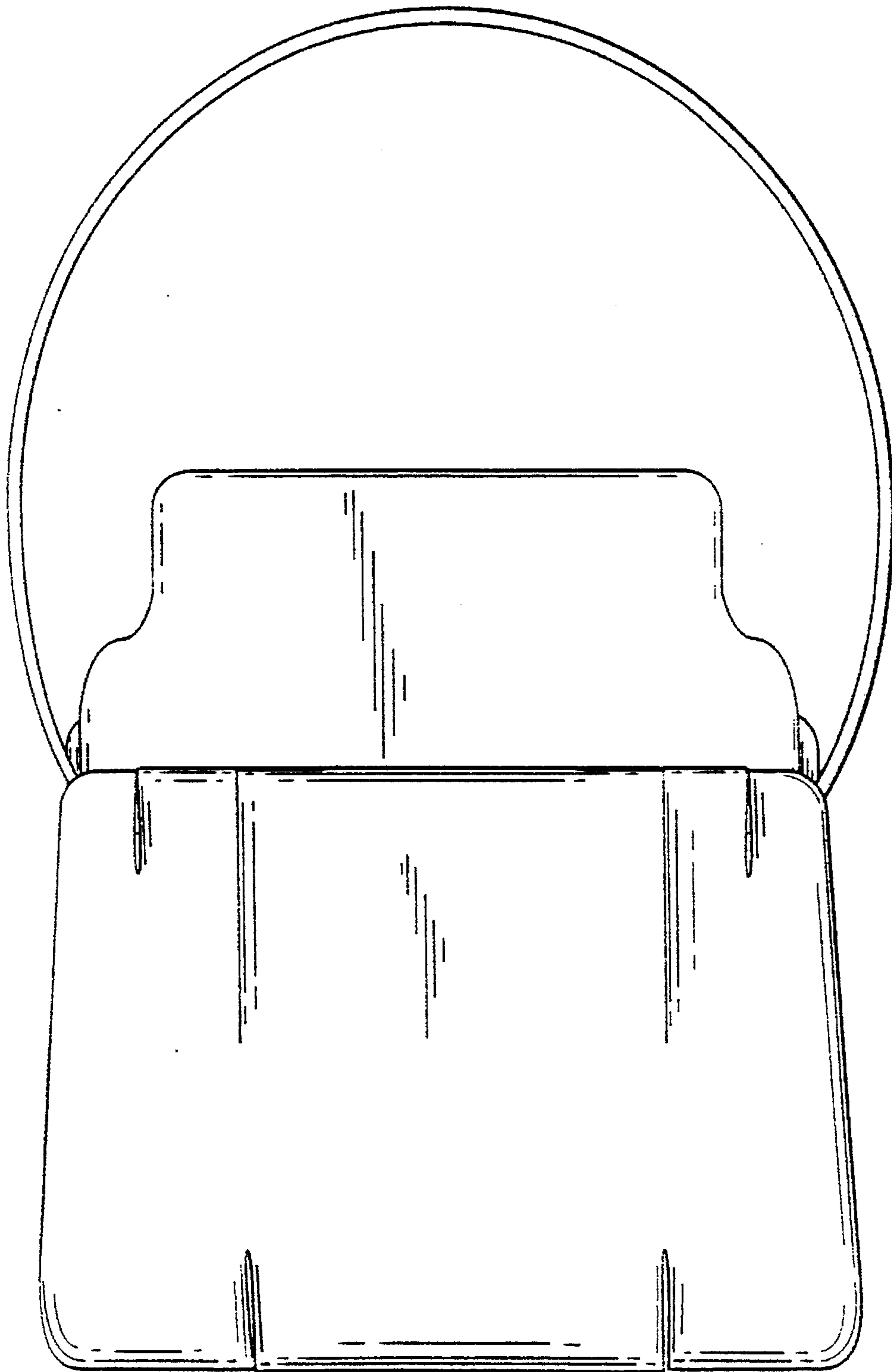


FIG. 3

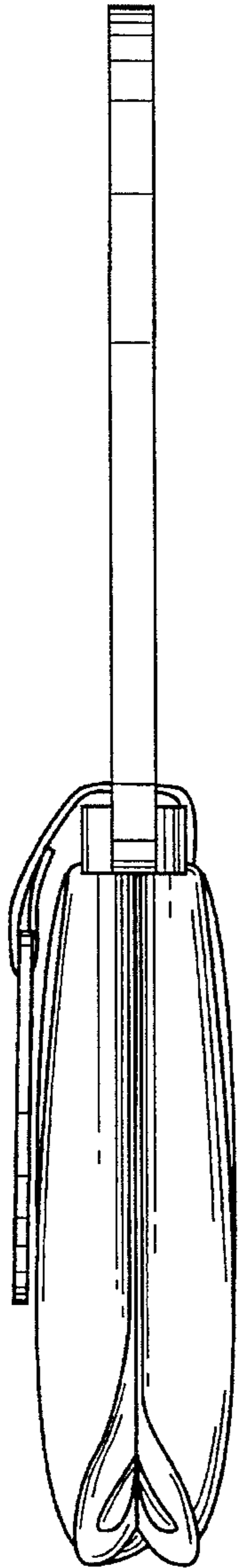


FIG. 4

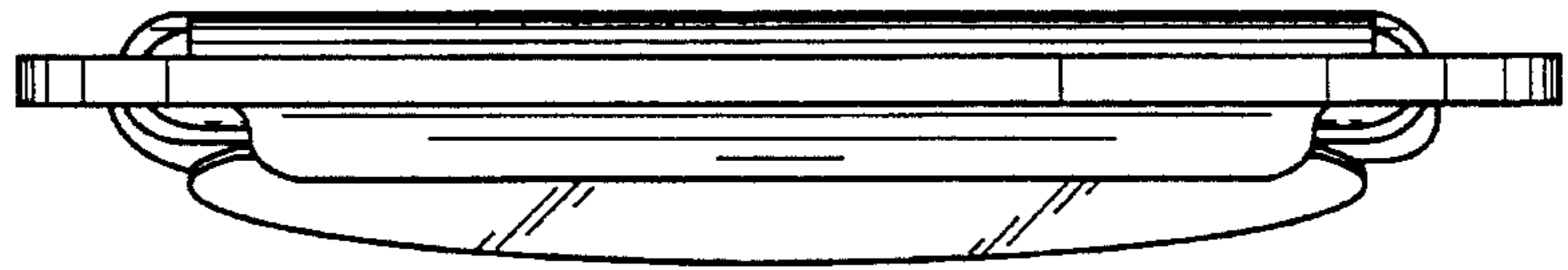


FIG. 5

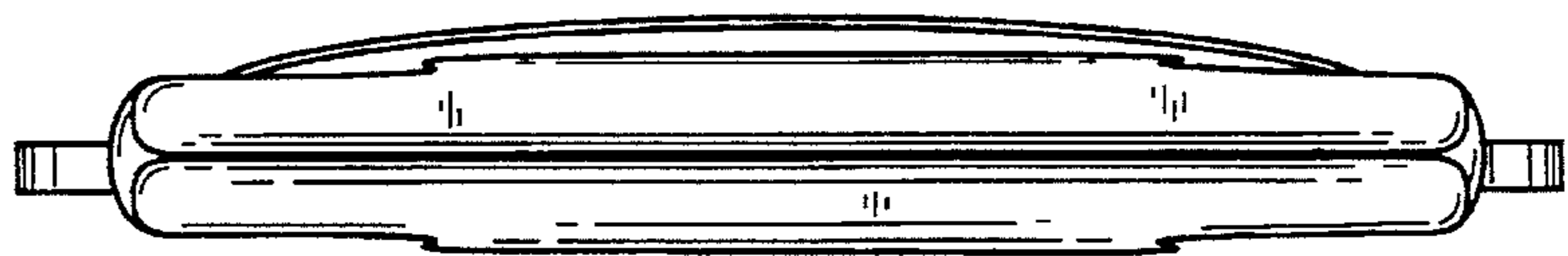


FIG. 6